

US00D670335S

(12) **United States Design Patent**
Ariga et al.

(10) **Patent No.:** **US D670,335 S**

(45) **Date of Patent:** **** Nov. 6, 2012**

(54) **FILM DISPENSING TOOL FOR STATIONERY**

(75) Inventors: **Hiroyuki Ariga**, Kokubunji (JP); **Yasuo Narita**, Tokyo (JP); **Mizuho Fukuda**, Tokyo (JP)

(73) Assignee: **Plus Corporation**, Tokyo (JP)

(**) Term: **14 Years**

(21) Appl. No.: **29/422,527**

(22) Filed: **May 22, 2012**

(30) **Foreign Application Priority Data**

Nov. 29, 2011 (JP) 2011-027661

(51) **LOC (9) Cl.** **19-02**

(52) **U.S. Cl.** **D19/67**

(58) **Field of Classification Search** D19/70,
D19/69, 36, 68, 67; 242/588.6, 588.2; 225/77,
225/6, 56, 39, 26, 25, 19, 11, 34; 206/411;
156/577, 527, 523

See application file for complete search history.

(56) **References Cited**

U.S. PATENT DOCUMENTS

D396,061	S	*	7/1998	Thompson et al.	D19/69
D422,636	S	*	4/2000	Smith	D19/69
D438,567	S	*	3/2001	Van Den Berg	D19/69
D446,246	S	*	8/2001	Kimura	D19/69
D456,450	S	*	4/2002	Kimura	D19/69
D465,241	S	*	11/2002	Suzuki	D19/69
D466,939	S	*	12/2002	Lee	D19/69
D475,745	S	*	6/2003	Ono	D19/69
D489,093	S	*	4/2004	Ono	D19/69
D492,355	S	*	6/2004	Suzuki	D19/69
D494,221	S	*	8/2004	Suzuki	D19/69
D498,498	S	*	11/2004	Ono	D19/69
D539,351	S	*	3/2007	Mitsui et al.	D19/69
D594,904	S	*	6/2009	Kai et al.	D19/69

D595,774	S	*	7/2009	Kouda	D19/69
D598,498	S	*	8/2009	Kinugasa et al.	D19/69
D648,393	S	*	11/2011	Kai et al.	D19/69

* cited by examiner

Primary Examiner — Austin Murphy

(74) *Attorney, Agent, or Firm* — William J. Sapone; Coleman Sudol Sapone P.C.

(57) **CLAIM**

We claim the ornamental design for a film dispensing tool for stationery, as shown and described.

DESCRIPTION

FIG. 1 is a left side view of the film dispensing tool for stationery, showing our new design, with the dispensing tip in a storage position;

FIG. 2 is a right side view thereof;

FIG. 3 is a front view thereof;

FIG. 4 is a rear view thereof;

FIG. 5 is a top view thereof;

FIG. 6 is a bottom view thereof;

FIG. 7 is a perspective view thereof,

FIG. 8 is a perspective view of the film dispensing tool for stationery of FIG. 1, with the dispensing tip extended for use;

FIG. 9 is a left side view thereof;

FIG. 10 is a right side view thereof;

FIG. 11 is a top view thereof;

FIG. 12 is a bottom view thereof;

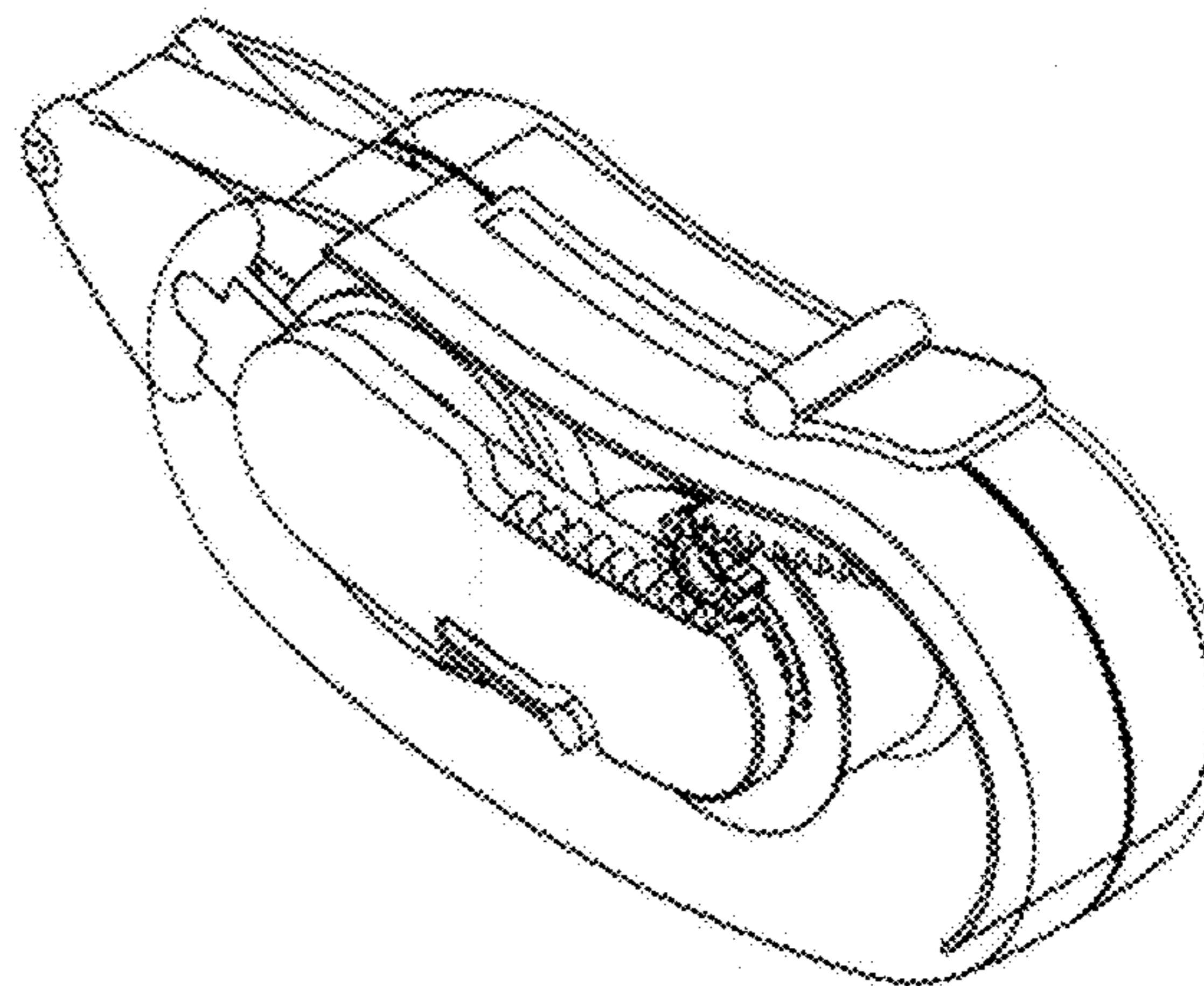
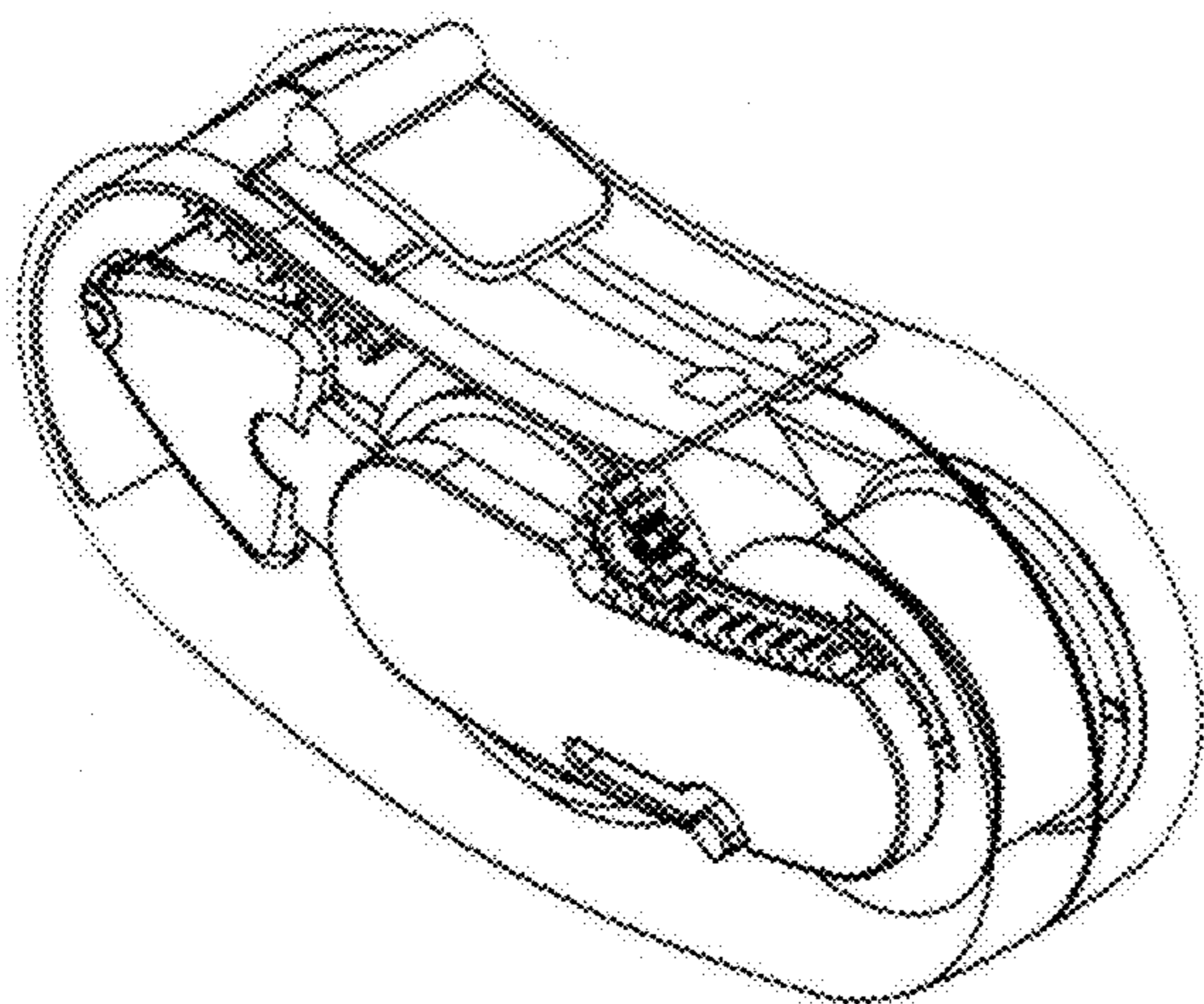
FIG. 13 is a front view thereof;

FIG. 14 is rear view thereof; and,

FIG. 15 is another perspective view of the film dispensing tool for stationery shown in FIG. 8, with the transparent portions of the tool casing shown in gray.

The broken lines shown in FIG. 1 form no part of the claimed design.

1 Claim, 8 Drawing Sheets



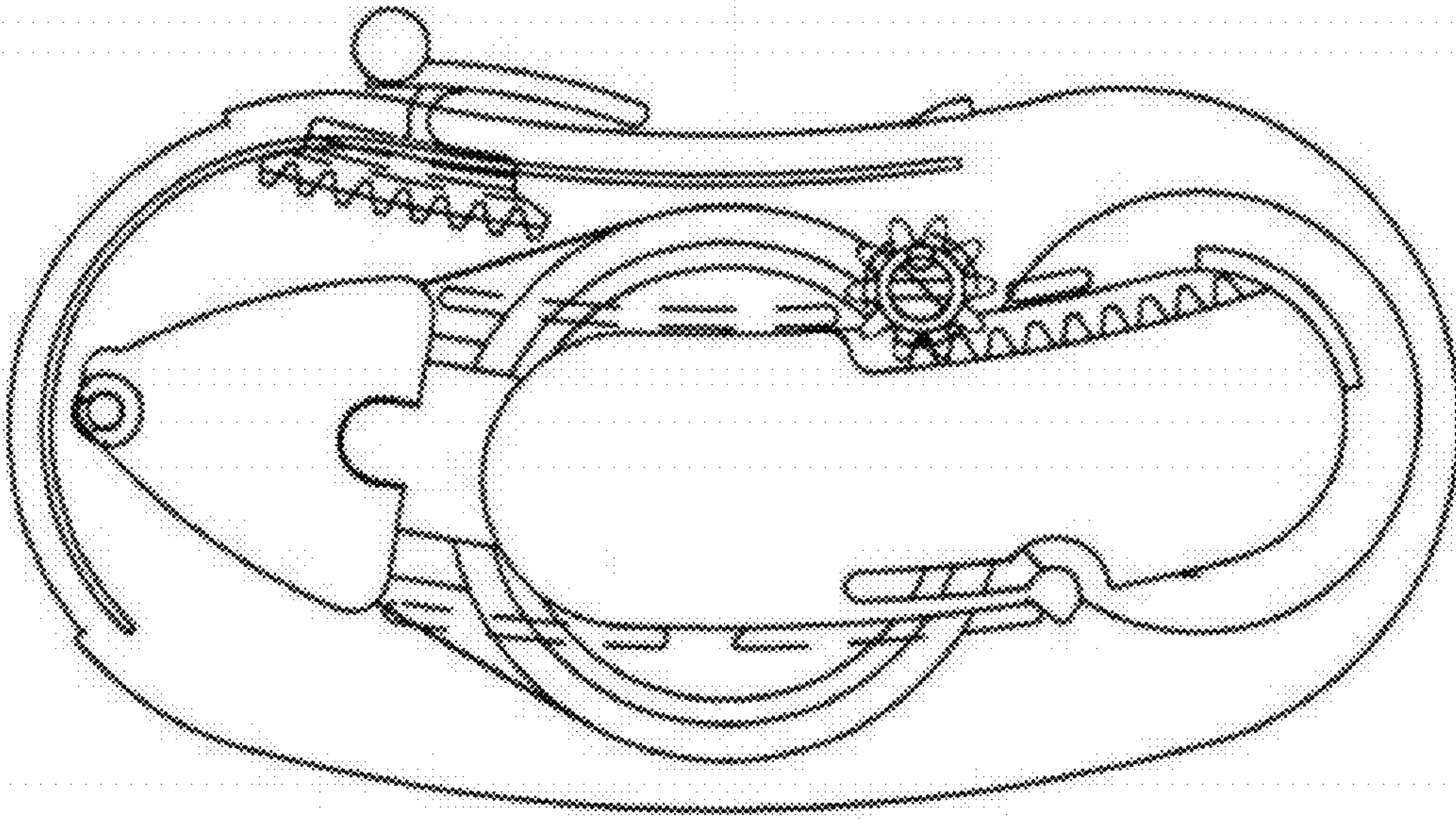


Fig. 1

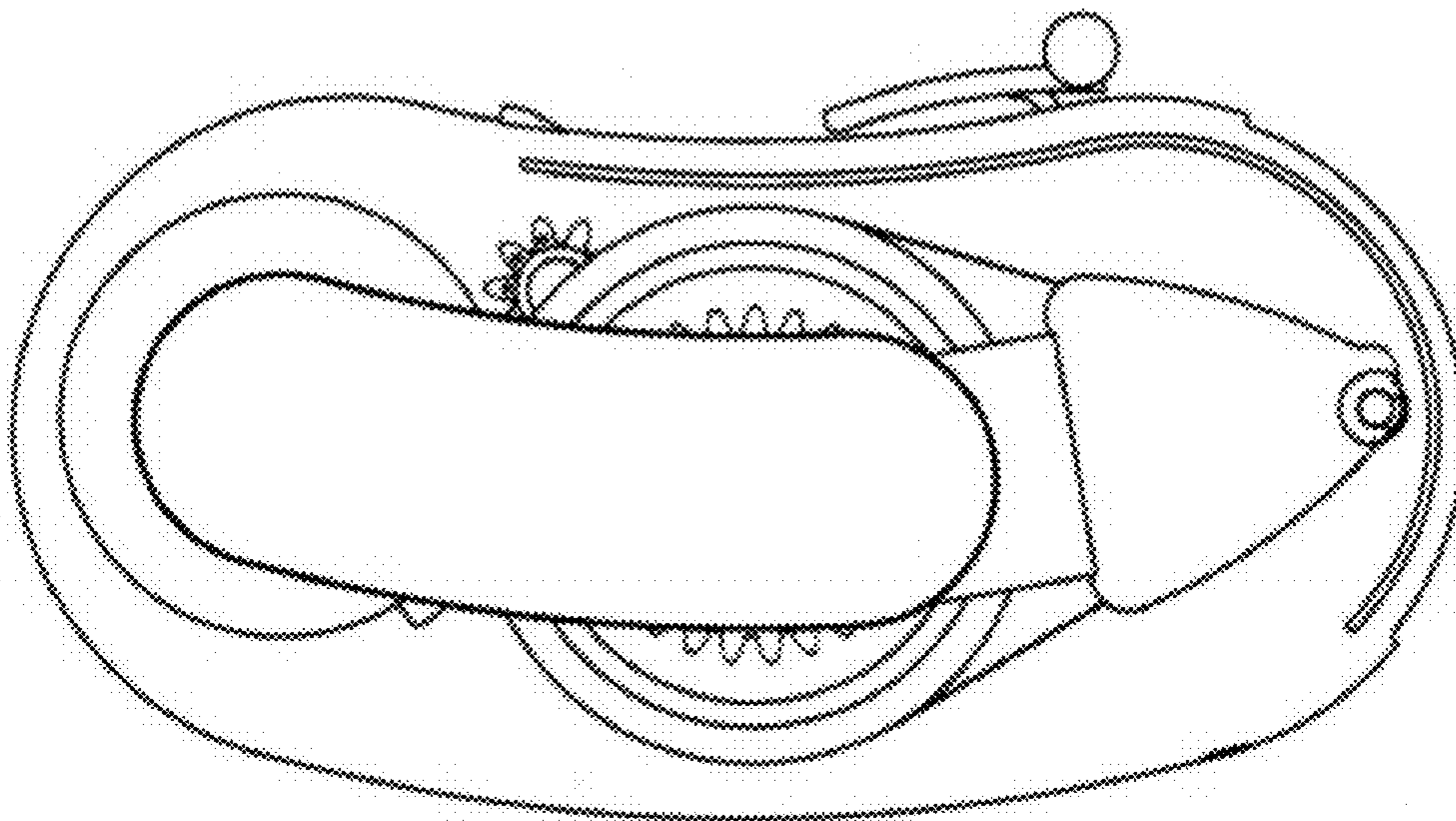


Fig. 2

Fig. 3

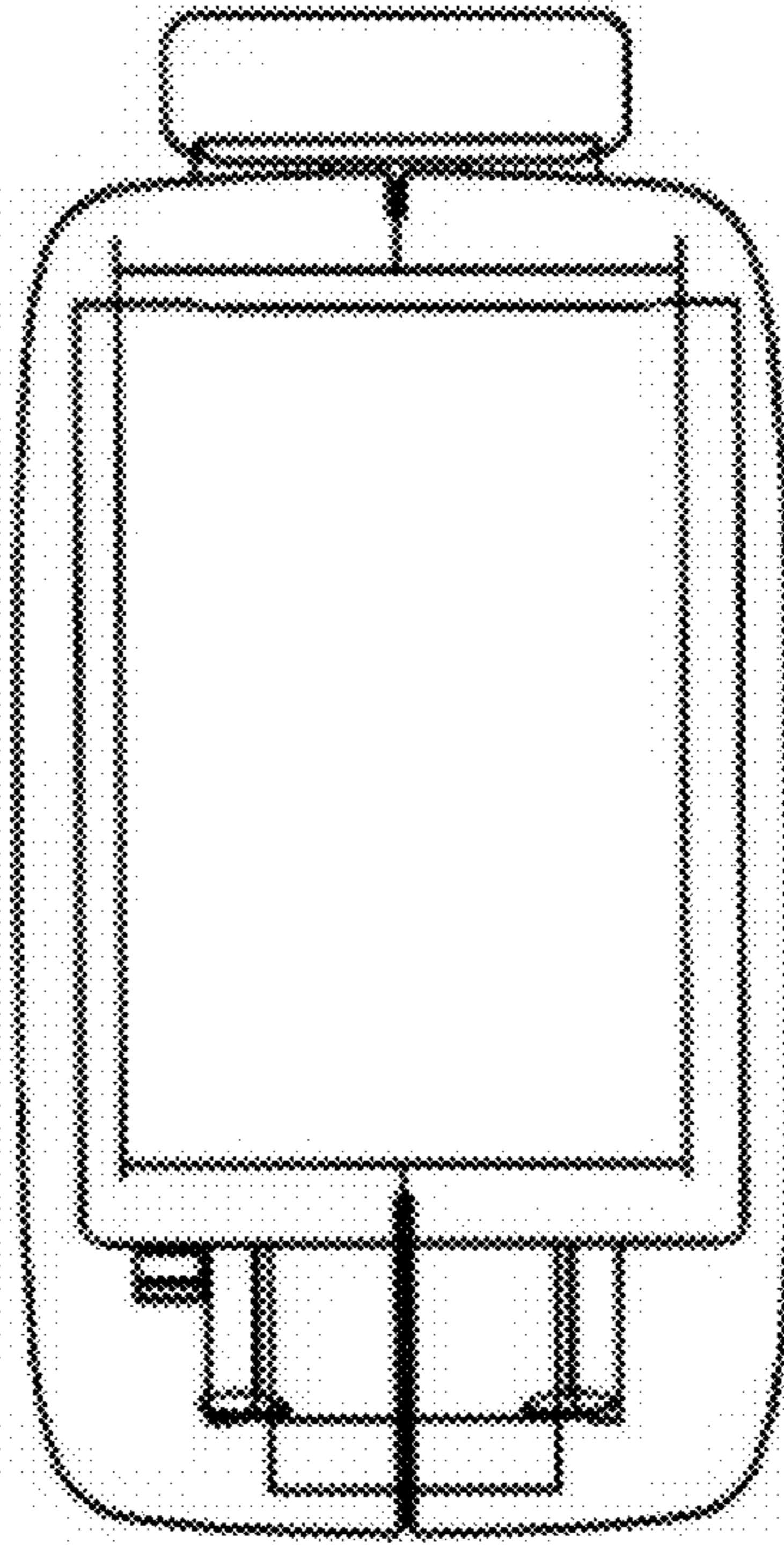
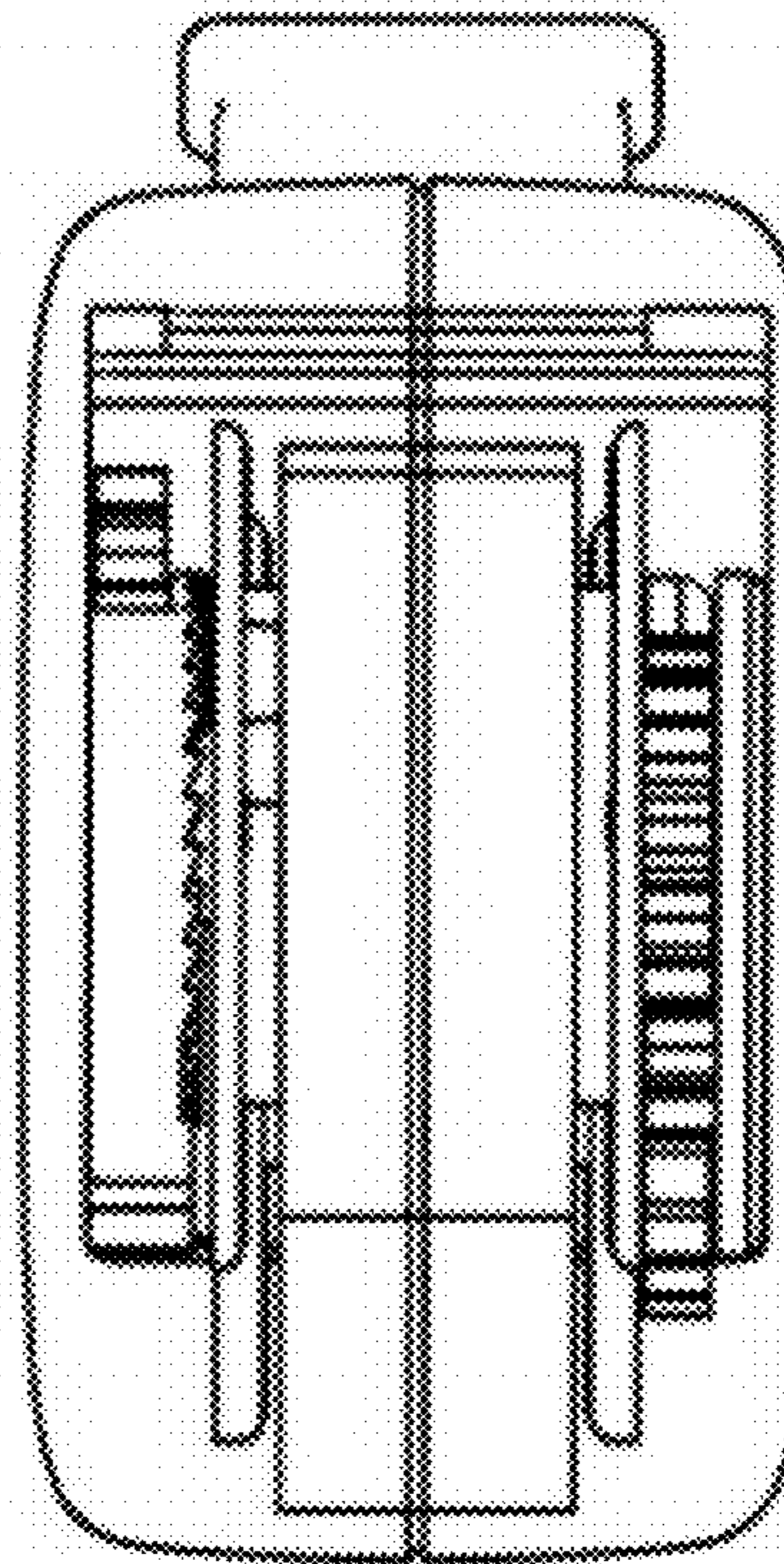


Fig. 4



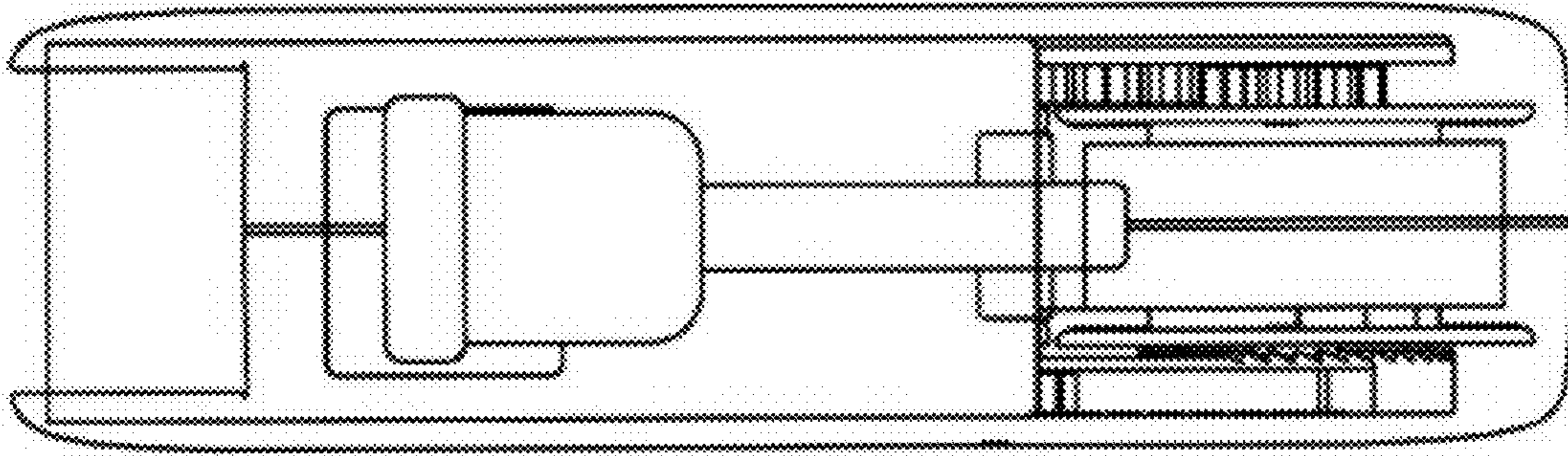


Fig. 5

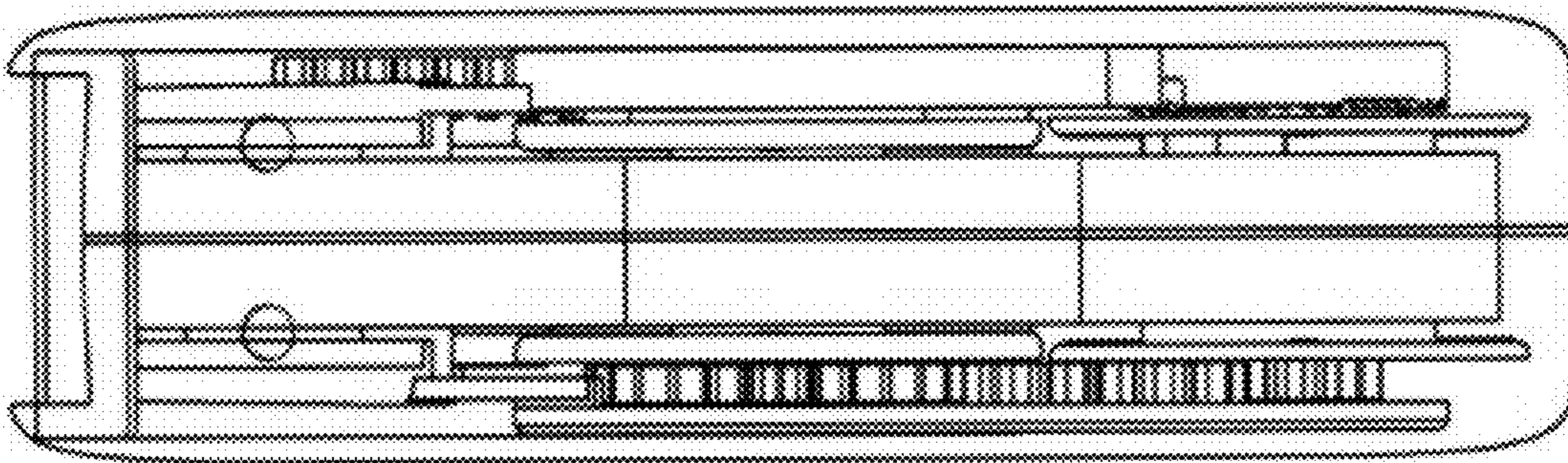


Fig. 6

Fig. 7

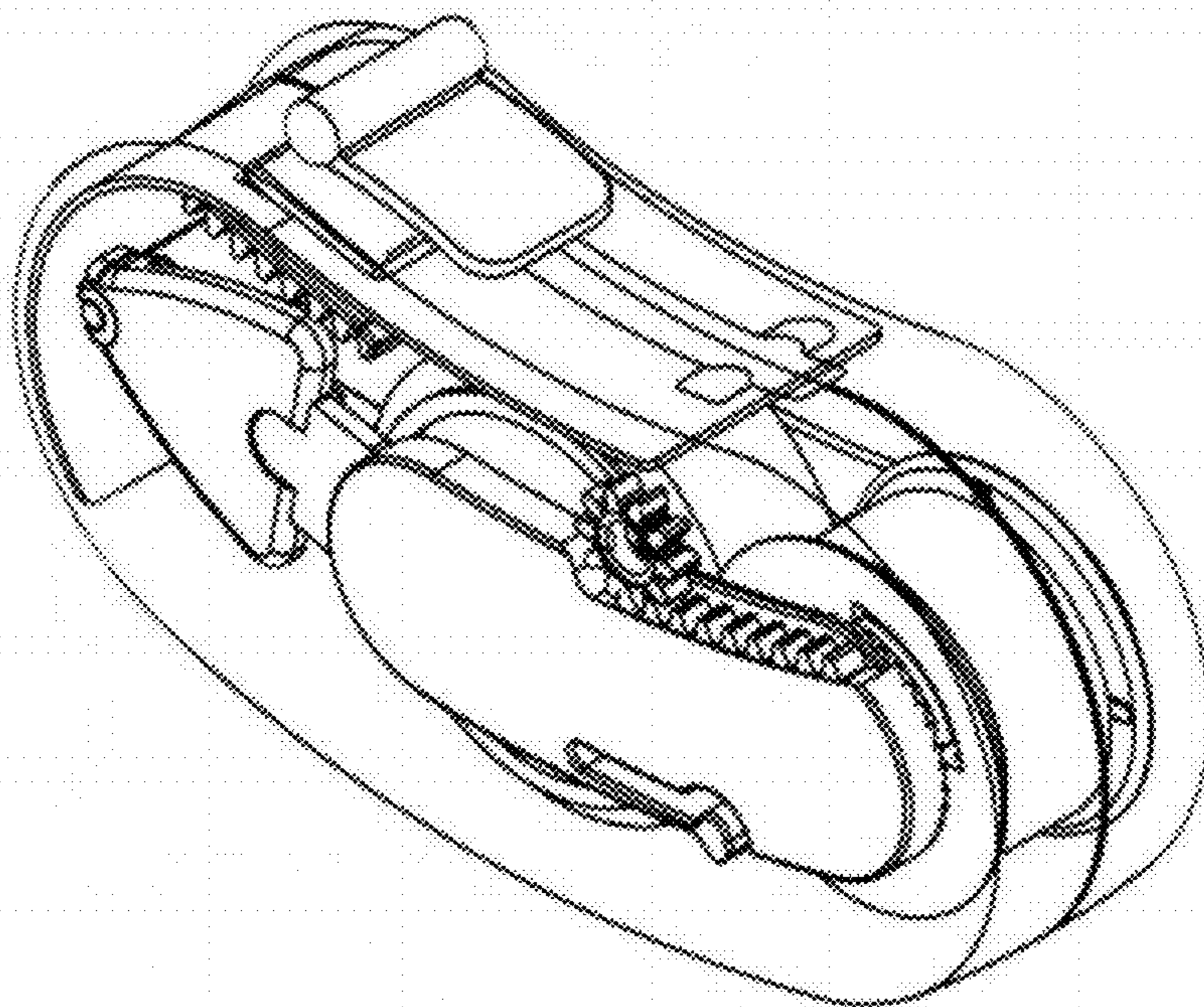
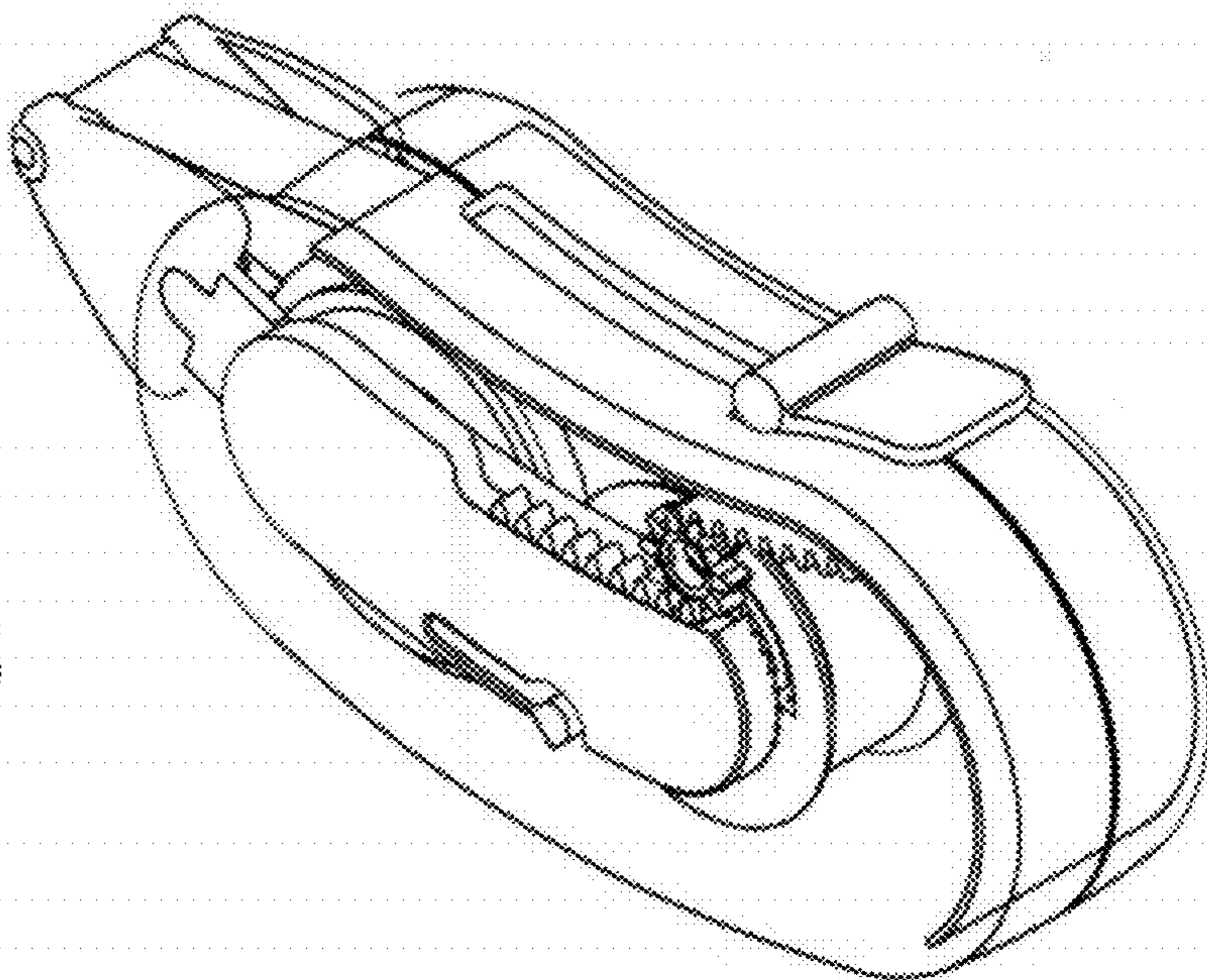


Fig. 8



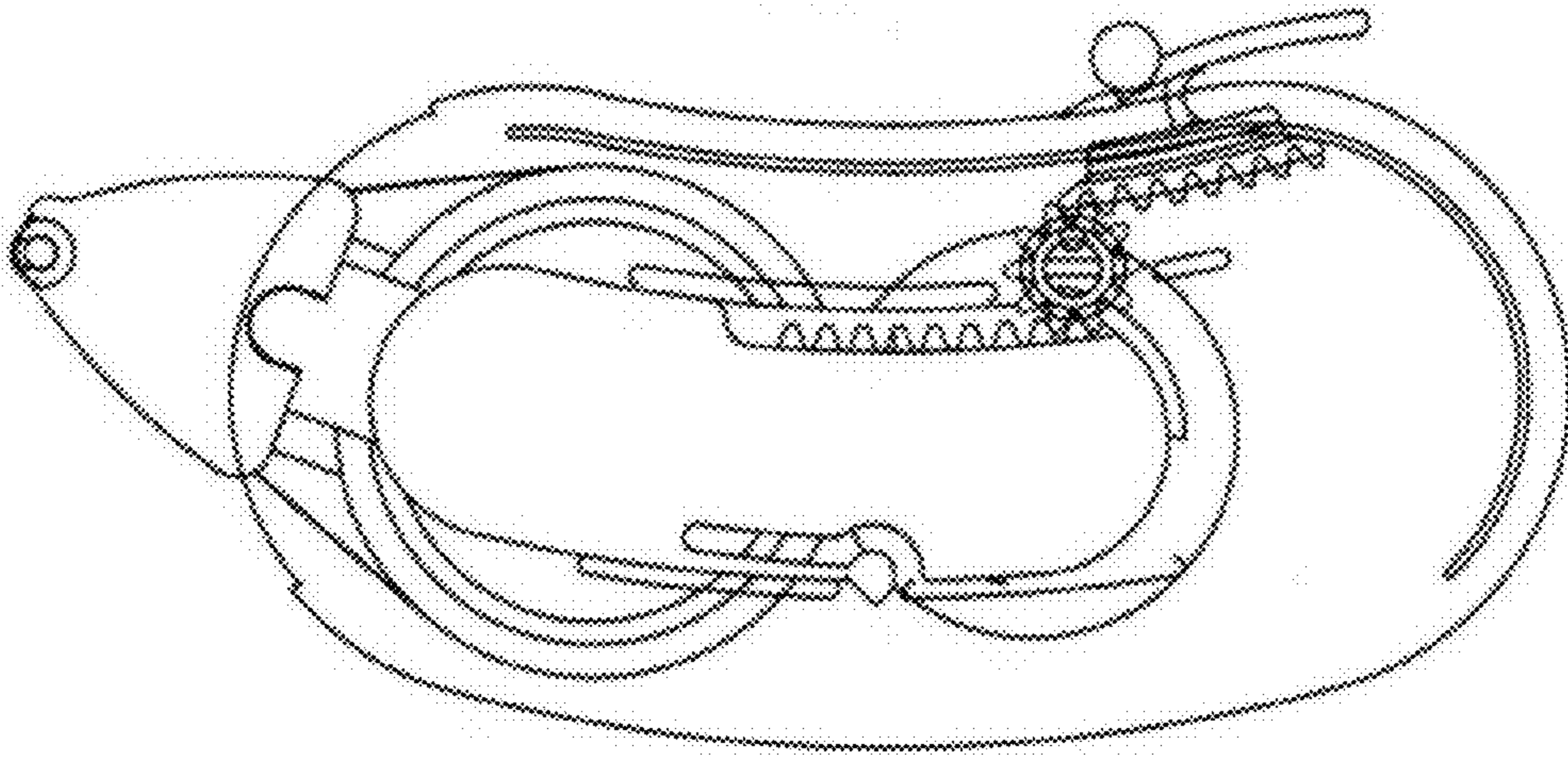


Fig. 9

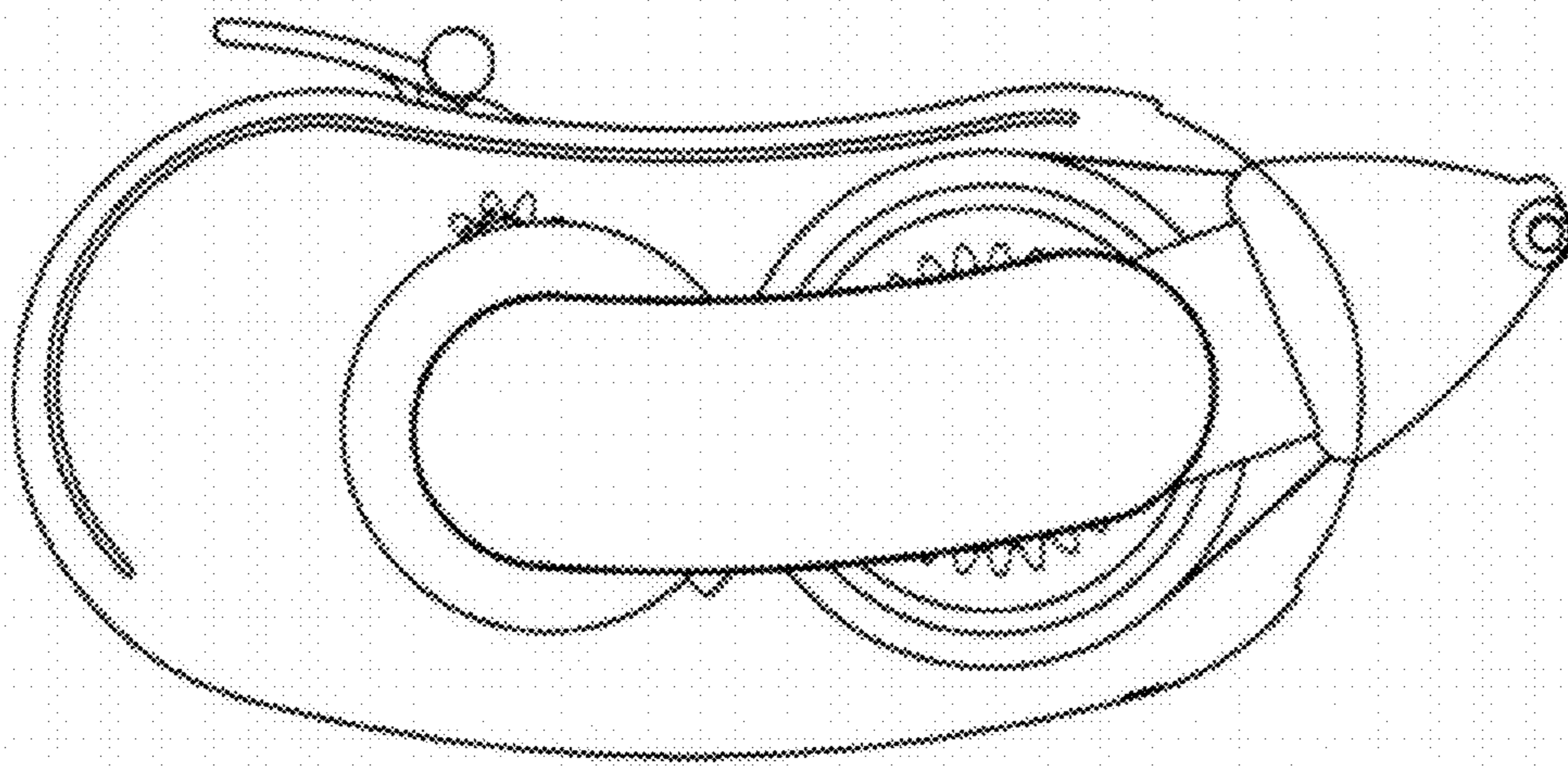


Fig. 10

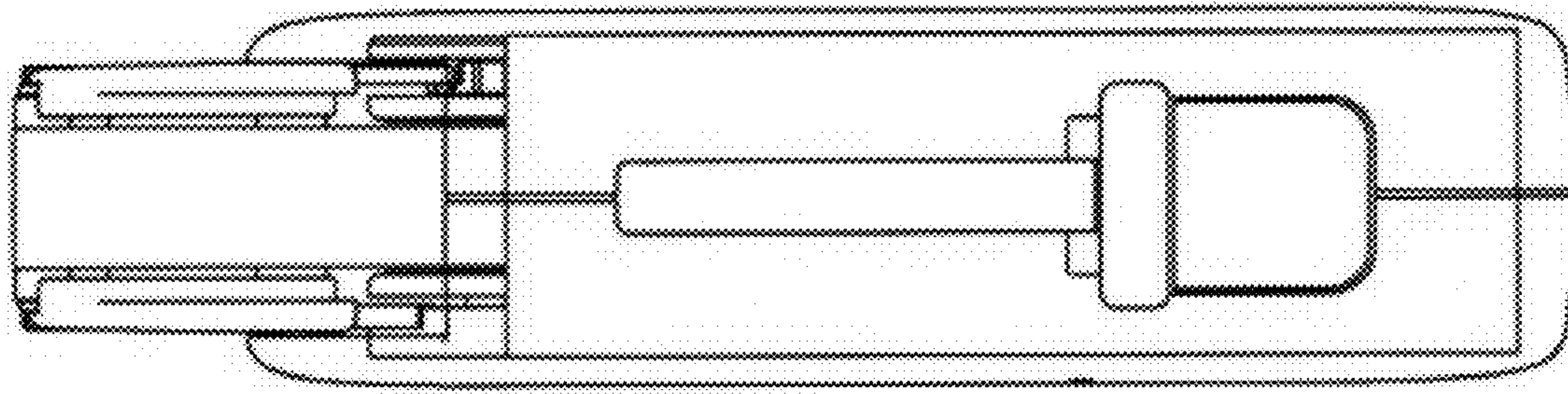


Fig. 11

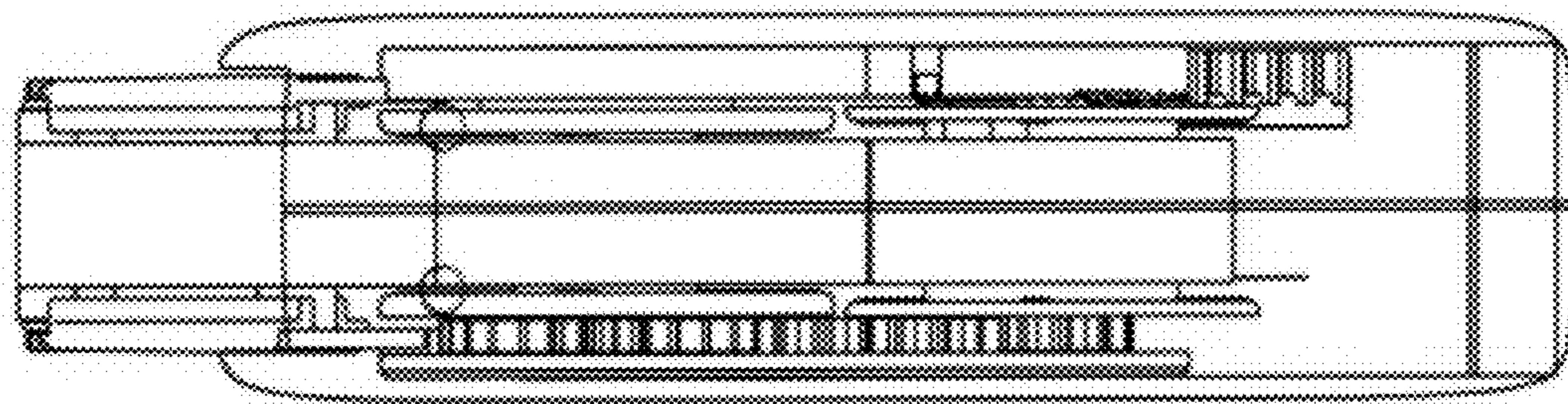


Fig. 12

Fig. 13

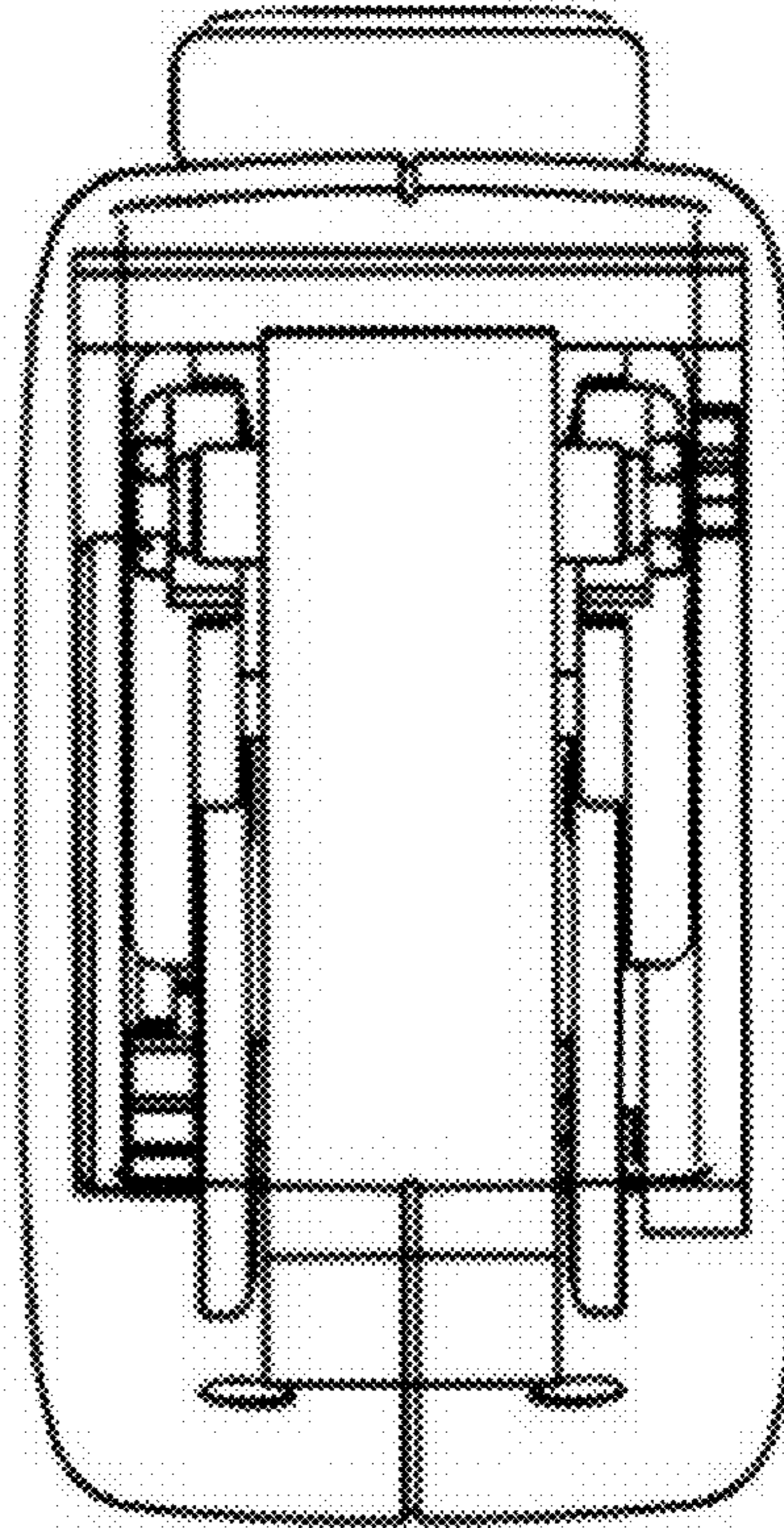
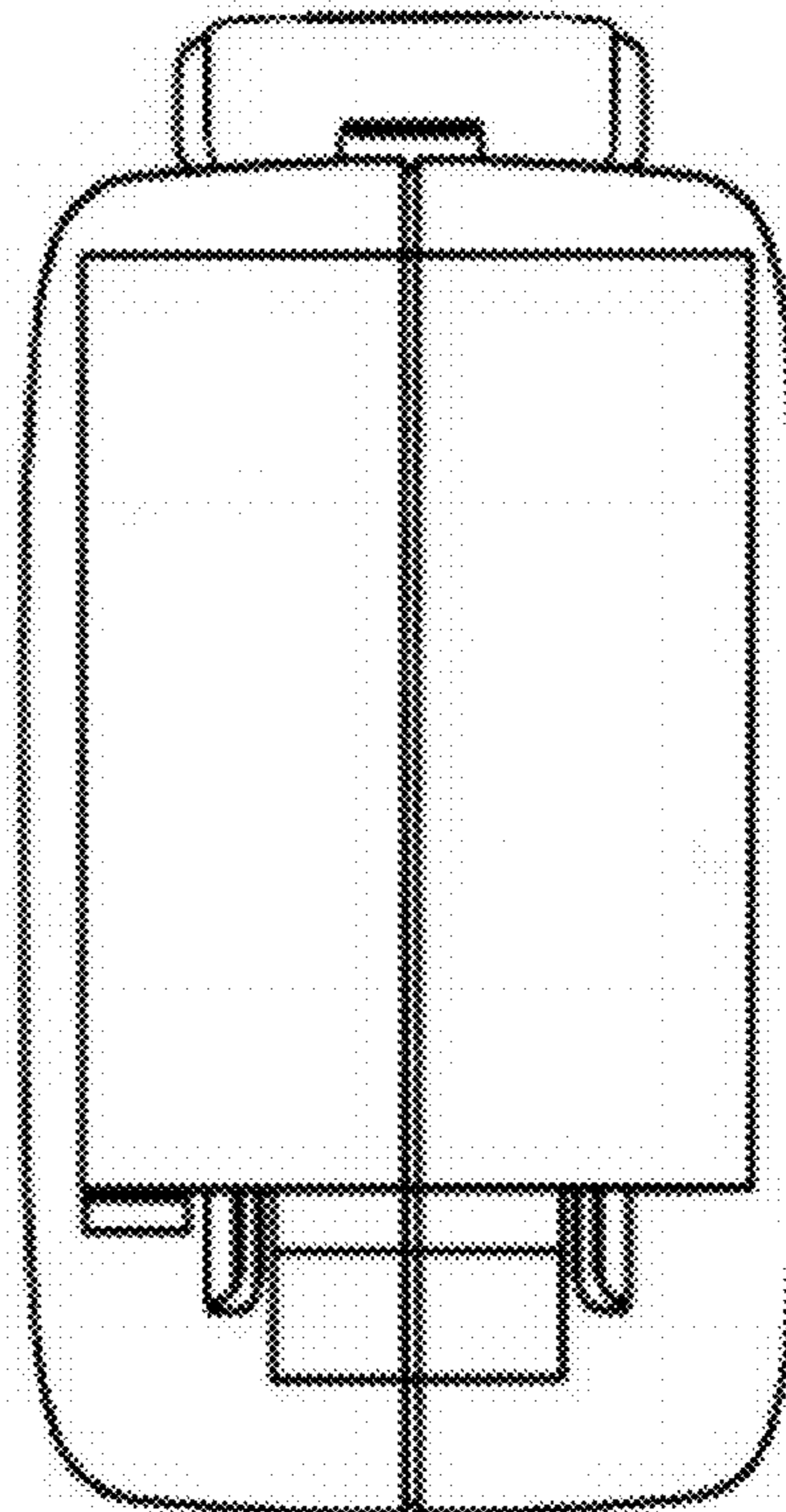


Fig. 14



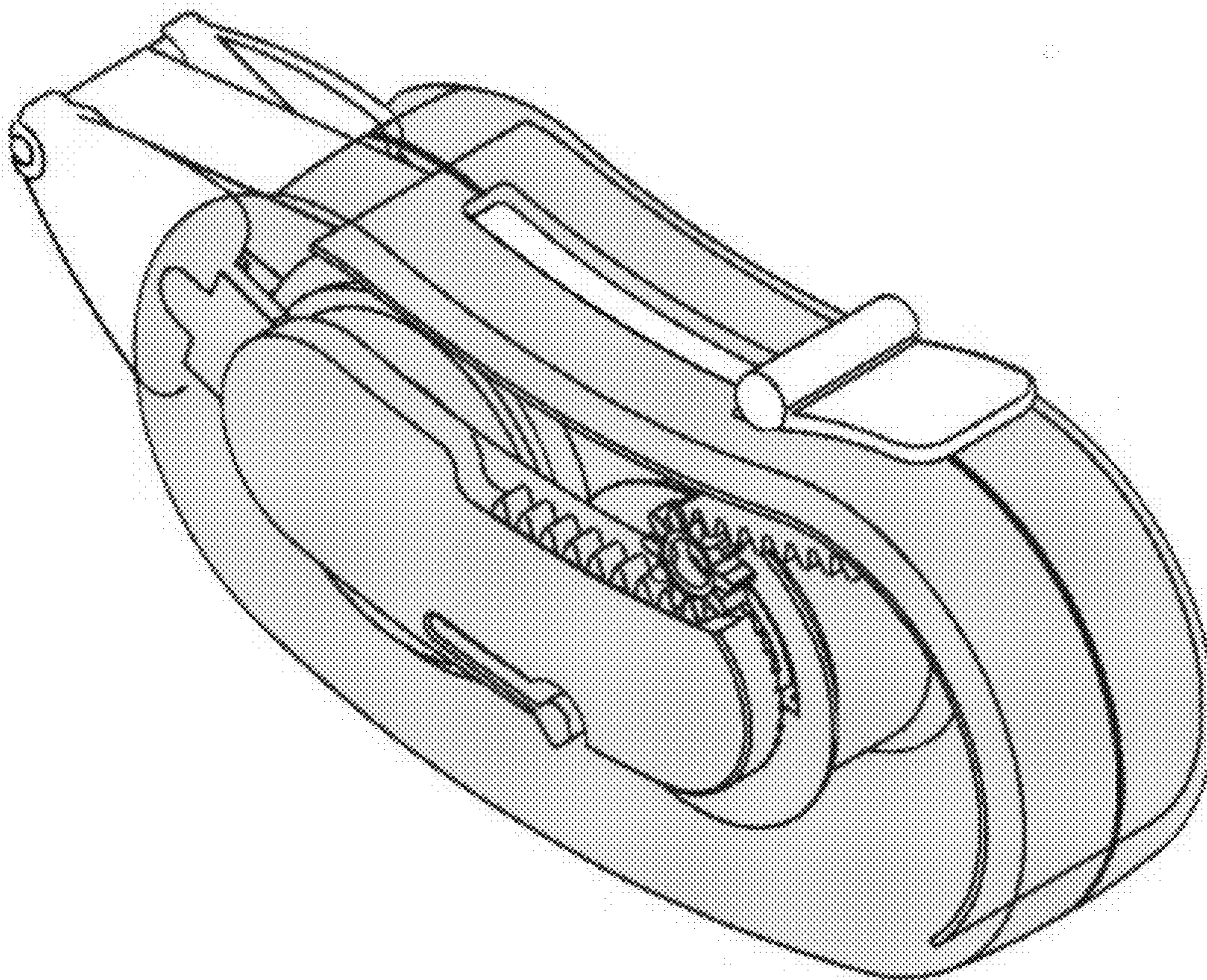


Fig. 15