



US00D670331S

(12) **United States Design Patent**
Mullen et al.

(10) **Patent No.:** **US D670,331 S**
(45) **Date of Patent:** **** Nov. 6, 2012**

(54) **INTERACTIVE DISPLAY CARD**
(75) Inventors: **Jeffrey D. Mullen**, Pittsburgh, PA (US);
David J. Hartwick, Aliquippa, PA (US);
L. Casimir Mostowy, Jr., Pittsburgh, PA
(US)
(73) Assignee: **Dynamics Inc.**, Pittsburgh, PA (US)
(**) Term: **14 Years**

5,479,512 A 12/1995 Weiss
5,484,997 A 1/1996 Haynes
5,485,519 A 1/1996 Weiss
5,585,787 A 12/1996 Wallerstein
5,591,949 A 1/1997 Bernstein
5,608,203 A 3/1997 Finkelstein et al.
5,623,552 A 4/1997 Lane
5,657,388 A 8/1997 Weiss
5,834,747 A 11/1998 Cooper
5,834,756 A 11/1998 Gutman et al.
5,856,661 A 1/1999 Finkelstein et al.

(Continued)

(21) Appl. No.: **29/391,756**

(22) Filed: **May 12, 2011**

(51) **LOC (9) Cl.** **19-08**

(52) **U.S. Cl.** **D19/9**

(58) **Field of Classification Search** D19/1-12,
D19/20-34; 40/124.01-124.15, 661, 672,
40/726, 776; 283/72, 74-75, 103, 105-107,
283/82, 70, 904; 206/449; D21/385; D20/10-11,
D20/22, 27, 40, 42; D14/435-437; 360/2;
235/380, 382

See application file for complete search history.

(56) **References Cited**

U.S. PATENT DOCUMENTS

4,353,064 A 10/1982 Stamm
4,394,654 A 7/1983 Hofmann-Cerfontaine
4,614,861 A 9/1986 Pavlov et al.
4,667,087 A 5/1987 Quintana
4,701,601 A 10/1987 Francini et al.
4,720,860 A 1/1988 Weiss
4,786,791 A 11/1988 Hodama
4,791,283 A 12/1988 Burkhardt
4,797,542 A 1/1989 Hara
5,038,251 A 8/1991 Sugiyama et al.
5,168,520 A 12/1992 Weiss
5,237,614 A 8/1993 Weiss
5,276,311 A 1/1994 Hennige
5,347,580 A 9/1994 Molva et al.
5,361,062 A 11/1994 Weiss et al.
5,412,199 A 5/1995 Finkelstein et al.
5,434,398 A 7/1995 Goldberg
5,434,405 A 7/1995 Finkelstein et al.
5,478,994 A 12/1995 Rahman

FOREIGN PATENT DOCUMENTS

JP 05210770 A 8/1993

(Continued)

OTHER PUBLICATIONS

U.S. Appl. No. 60/594,300, Poidomani et al.

(Continued)

Primary Examiner — Caron D Veynar
Assistant Examiner — Abraham Bahta

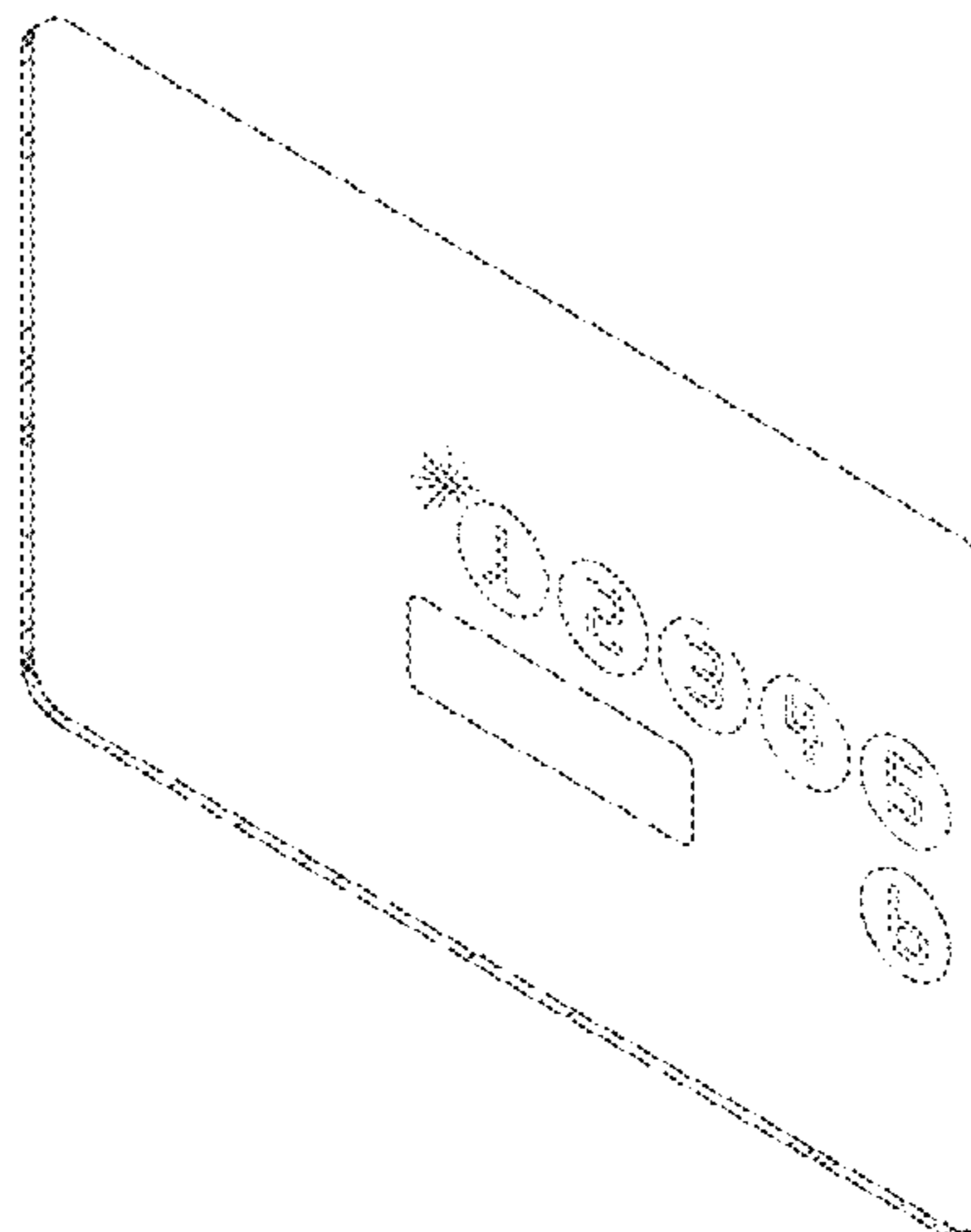
(57) **CLAIM**

The ornamental design for an interactive display card, as shown and described.

DESCRIPTION

FIG. 1 is a front, bottom, and left side perspective view of our new design for an interactive display card;
FIG. 2 is a front, top, and left side perspective view thereof;
FIG. 3 is a front side view thereof;
FIG. 4 is a back side view thereof;
FIG. 5 is a top side view thereof;
FIG. 6 is a bottom side view thereof;
FIG. 7 is a left side view thereof; and,
FIG. 8 is a right side view thereof.
The broken lines showing environment in the drawings are for illustrative purposes only and form no part of the claimed design.

1 Claim, 5 Drawing Sheets



US D670,331 S

U.S. PATENT DOCUMENTS							
5,864,623	A	1/1999	Messina et al.	7,346,775	B2	3/2008	Gasparini et al.
5,907,142	A	5/1999	Kelsey	7,356,696	B1	4/2008	Jakobsson et al.
5,913,203	A	6/1999	Wong et al.	7,357,319	B1	4/2008	Liu et al.
5,937,394	A	8/1999	Wong et al.	7,359,507	B2	4/2008	Kaliski
5,955,021	A	9/1999	Tiffany, III	7,360,688	B1	4/2008	Harris
5,956,699	A	9/1999	Wong et al.	7,363,494	B2	4/2008	Brainard et al.
6,025,054	A	2/2000	Tiffany, III	7,380,710	B2	6/2008	Brown
6,045,043	A	4/2000	Bashan et al.	7,398,253	B1	7/2008	Pinnell
6,076,163	A	6/2000	Hoffstein et al.	7,404,087	B2	7/2008	Teunen
6,085,320	A	7/2000	Kaliski	7,424,570	B2	9/2008	D'Albore et al.
6,095,416	A	8/2000	Grant et al.	7,427,033	B1	9/2008	Roskind
6,130,621	A	10/2000	Weiss	7,454,349	B2	11/2008	Teunen et al.
6,145,079	A	11/2000	Mitty et al.	7,461,250	B1	12/2008	Duane et al.
6,157,920	A	12/2000	Jakobsson et al.	7,461,399	B2	12/2008	Juels et al.
6,161,181	A	12/2000	Haynes, III et al.	7,472,093	B2	12/2008	Juels
6,176,430	B1	1/2001	Finkelstein et al.	7,472,829	B2	1/2009	Brown
6,182,894	B1	2/2001	Hackett et al.	7,494,055	B2	2/2009	Fernandes et al.
6,189,098	B1	2/2001	Kaliski	7,502,467	B2	3/2009	Brainard et al.
6,199,052	B1	3/2001	Mitty et al.	7,502,933	B2	3/2009	Jakobsson et al.
6,206,293	B1	3/2001	Gutman et al.	7,503,485	B1	3/2009	Routhenstein
6,240,184	B1	5/2001	Huynh et al.	7,516,492	B1	4/2009	Nisbet et al.
6,241,153	B1	6/2001	Tiffany, III	7,523,301	B2	4/2009	Nisbet et al.
6,256,873	B1	7/2001	Tiffany, III	7,530,495	B2	5/2009	Cooper
6,269,163	B1	7/2001	Rivest et al.	7,532,104	B2	5/2009	Juels
D447,515	S *	9/2001	Faenza et al.	7,543,739	B2	6/2009	Brown et al.
6,286,022	B1	9/2001	Kaliski et al.	7,559,464	B2	7/2009	Routhenstein
6,308,890	B1	10/2001	Cooper	7,562,221	B2	7/2009	Nystrom et al.
6,313,724	B1	11/2001	Osterweil	7,562,222	B2	7/2009	Gasparini et al.
6,389,442	B1	5/2002	Yin et al.	7,580,898	B2	8/2009	Brown et al.
6,393,447	B1	5/2002	Jakobsson et al.	7,584,153	B2	9/2009	Brown et al.
6,411,715	B1	6/2002	Liskov et al.	7,591,426	B2	9/2009	Osterweil et al.
D462,714	S *	9/2002	Creighton	7,591,427	B2	9/2009	Osterweil
6,446,052	B1	9/2002	Juels	D602,986	S *	10/2009	Skelding et al.
6,460,141	B1	10/2002	Olden	7,602,904	B2	10/2009	Juels et al.
6,592,044	B1	7/2003	Wong et al.	7,631,804	B2	12/2009	Brown
6,607,127	B2	8/2003	Wong	7,639,537	B2	12/2009	Sepe et al.
6,609,654	B1	8/2003	Anderson et al.	7,641,124	B2	1/2010	Brown et al.
6,631,849	B2	10/2003	Blossom	7,660,902	B2	2/2010	Graham et al.
6,655,585	B2	12/2003	Shinn	7,828,207	B2	11/2010	Cooper
6,681,988	B2	1/2004	Stack et al.	D643,062	S *	8/2011	Skelding et al.
6,705,520	B1	3/2004	Pitroda et al.	2001/0034702	A1	10/2001	Mockett et al.
6,755,341	B1	6/2004	Wong et al.	2001/0047335	A1	11/2001	Arndt et al.
6,764,005	B2	7/2004	Cooper	2002/0059114	A1	5/2002	Cockrill et al.
6,769,618	B1	8/2004	Finkelstein	2002/0082989	A1	6/2002	Fife et al.
6,805,288	B2	10/2004	Routhenstein et al.	2002/0096570	A1	7/2002	Wong et al.
6,811,082	B2	11/2004	Wong	2002/0120583	A1	8/2002	Keresman, III et al.
6,813,354	B1	11/2004	Jakobsson et al.	2003/0034388	A1	2/2003	Routhenstein et al.
6,817,532	B2	11/2004	Finkelstein	2003/0052168	A1	3/2003	Wong
6,873,974	B1	3/2005	Schutzner	2003/0057278	A1	3/2003	Wong
6,902,116	B2	6/2005	Finkelstein	2003/0116635	A1	6/2003	Taban
6,970,070	B2	11/2005	Juels et al.	2003/0152253	A1	8/2003	Wong
6,980,969	B1	12/2005	Tuchler et al.	2003/0163287	A1	8/2003	Vock et al.
6,985,583	B1	1/2006	Brainard et al.	2003/0173409	A1	9/2003	Vogt et al.
6,991,155	B2	1/2006	Burchette, Jr.	2003/0179909	A1	9/2003	Wong et al.
7,013,030	B2	3/2006	Wong et al.	2003/0179910	A1	9/2003	Wong
7,035,443	B2	4/2006	Wong	2003/0226899	A1	12/2003	Finkelstein
7,039,223	B2	5/2006	Wong	2004/0035942	A1	2/2004	Silverman
7,044,394	B2	5/2006	Brown	2004/0133787	A1	7/2004	Doughty
7,051,929	B2	5/2006	Li	2004/0162732	A1	8/2004	Rahim et al.
D524,857	S *	7/2006	Graves et al.	2004/0172535	A1	9/2004	Jakobsson
7,083,094	B2	8/2006	Cooper	2004/0177045	A1	9/2004	Brown
7,100,049	B2	8/2006	Gasparini et al.	2005/0043997	A1	2/2005	Sahota et al.
7,100,821	B2	9/2006	Rasti	2005/0080747	A1	4/2005	Anderson et al.
7,111,172	B1	9/2006	Duane et al.	2005/0086160	A1	4/2005	Wong et al.
D530,741	S *	10/2006	Blossom	2005/0086177	A1	4/2005	Anderson et al.
7,114,652	B2	10/2006	Moulette et al.	2005/0116026	A1	6/2005	Burger et al.
7,136,514	B1	11/2006	Wong	2005/0119940	A1	6/2005	Concilio et al.
7,140,550	B2	11/2006	Ramachandran	2005/0154643	A1	7/2005	Doan et al.
7,163,153	B2	1/2007	Blossom	2005/0228959	A1	10/2005	D'Albore et al.
7,195,154	B2	3/2007	Routhenstein	2006/0000900	A1	1/2006	Fernandes et al.
7,197,639	B1	3/2007	Juels et al.	2006/0037073	A1	2/2006	Juels et al.
7,219,368	B2	5/2007	Juels et al.	2006/0041759	A1	2/2006	Kaliski et al.
7,225,537	B2	6/2007	Reed	2006/0085328	A1	4/2006	Cohen et al.
7,225,994	B2	6/2007	Finkelstein	2006/0091223	A1	5/2006	Zellner
7,246,752	B2	7/2007	Brown	2006/0161435	A1	7/2006	Atef et al.
7,298,243	B2	11/2007	Juels et al.	2006/0163353	A1	7/2006	Moulette et al.
7,334,732	B2	2/2008	Cooper	2006/0174104	A1	8/2006	Crichton et al.
7,337,326	B2	2/2008	Palmer et al.	2006/0196931	A1	9/2006	Holtmanns et al.
				2006/0256961	A1	11/2006	Brainard et al.

US D670,331 S

Page 3

2007/0034700 A1 2/2007 Poidomani et al.
2007/0114274 A1 5/2007 Gibbs et al.
2007/0124321 A1 5/2007 Szydlo
2007/0152070 A1 7/2007 D'Albore
2007/0152072 A1 7/2007 Frallicciardi et al.
2007/0153487 A1 7/2007 Frallicciardi et al.
2007/0174614 A1 7/2007 Duane et al.
2007/0192249 A1 8/2007 Biffle et al.
2007/0241183 A1 10/2007 Brown et al.
2007/0241201 A1 10/2007 Brown et al.
2007/0256123 A1 11/2007 Duane et al.
2007/0291753 A1 12/2007 Romano
2008/0005510 A1 1/2008 Sepe et al.
2008/0008315 A1 1/2008 Fontana et al.
2008/0008322 A1 1/2008 Fontana et al.
2008/0010675 A1 1/2008 Massascusa et al.
2008/0016351 A1 1/2008 Fontana et al.
2008/0019507 A1 1/2008 Fontana et al.
2008/0028447 A1 1/2008 O'Malley et al.
2008/0040271 A1 2/2008 Hammad et al.
2008/0040276 A1 2/2008 Hammad et al.
2008/0058016 A1 3/2008 Di Maggio et al.
2008/0059379 A1 3/2008 Ramaci et al.
2008/0096326 A1 4/2008 Reed
2008/0126398 A1 5/2008 Cimino
2008/0128515 A1 6/2008 Di Iorio
2008/0148394 A1 6/2008 Poidomani et al.
2008/0201264 A1 8/2008 Brown et al.
2008/0209550 A1 8/2008 Di Iorio
2008/0288699 A1 11/2008 Chichierchia
2008/0294930 A1 11/2008 Varone et al.
2008/0302877 A1 12/2008 Musella et al.
2009/0013122 A1 1/2009 Sepe et al.
2009/0036147 A1 2/2009 Romano

2009/0046522 A1 2/2009 Sepe et al.
2009/0108064 A1 4/2009 Fernandes et al.
2009/0150295 A1 6/2009 Hatch et al.
2009/0152365 A1 6/2009 Li et al.
2009/0242648 A1 10/2009 Di Sirio et al.
2009/0244858 A1 10/2009 Di Sirio et al.
2009/0253460 A1 10/2009 Varone et al.
2009/0255996 A1 10/2009 Brown et al.
2009/0290704 A1 11/2009 Cimino
2009/0303885 A1 12/2009 Longo
2011/0028184 A1 2/2011 Cooper

FOREIGN PATENT DOCUMENTS

WO	WO9852735	11/1998
WO	WO0247019	6/2002
WO	WO2006066322	6/2006
WO	WO2006080929	8/2006
WO	WO2006105092	10/2006
WO	WO2006116772	11/2006
WO	WO2008064403	6/2008

OTHER PUBLICATIONS

U.S. Appl. No. 60/675,388, Poidomani et al.
The Bank Credit Card Business. Second Edition, American Bankers Association, Washington, D.C., 1996.
A Day in the Life of a Flux Reversal. <http://www.phrack.org/issues.html?issue=37&id=6#article>. As viewed on Apr. 12, 2010.
Dynamic Virtual Credit Card Numbers. <http://homes.cerias.purdue.edu/~jtli/paper/fc07.pdf>. As viewed on Apr. 12, 2010.
English translation of JP 05210770 A.

* cited by examiner

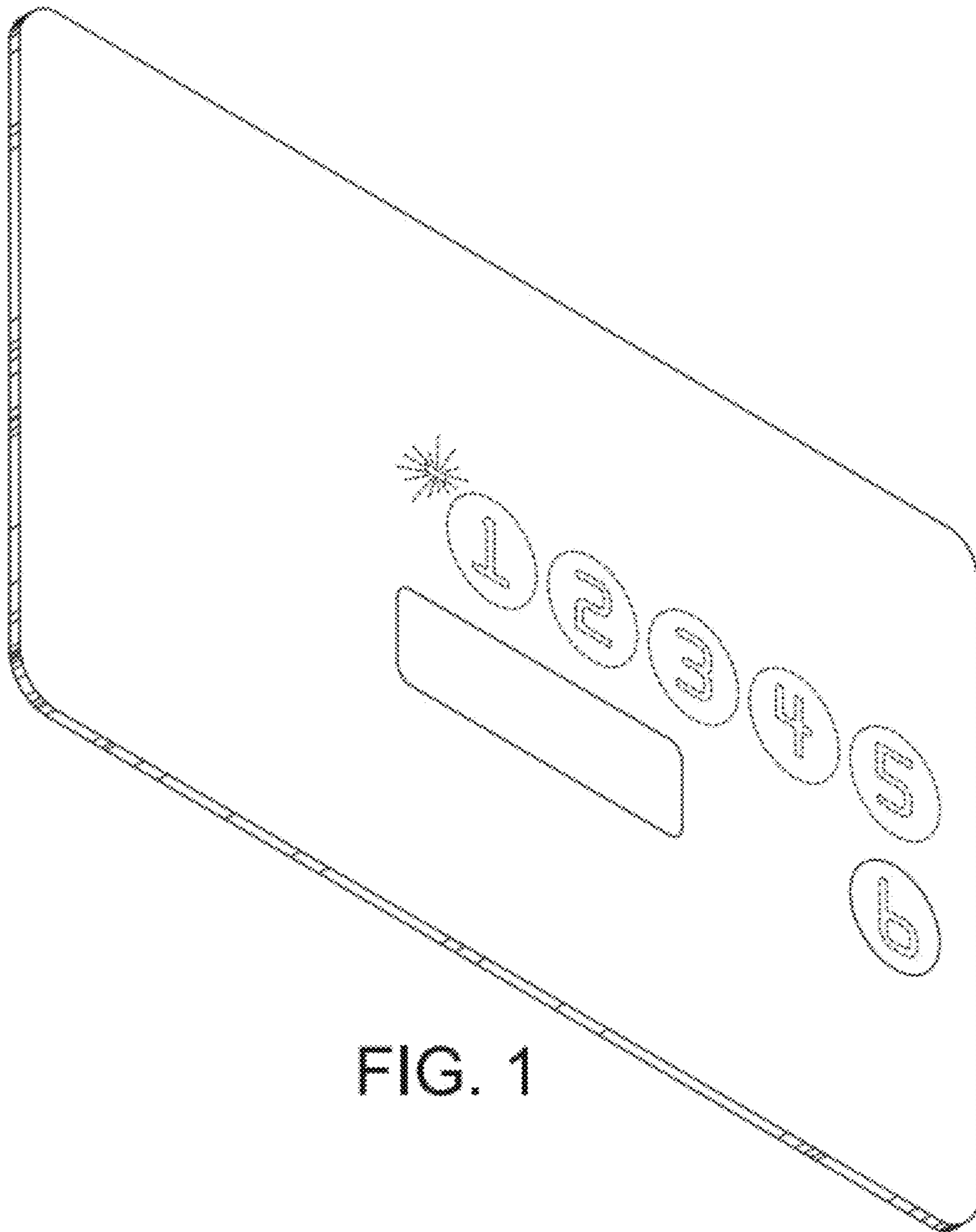


FIG. 1

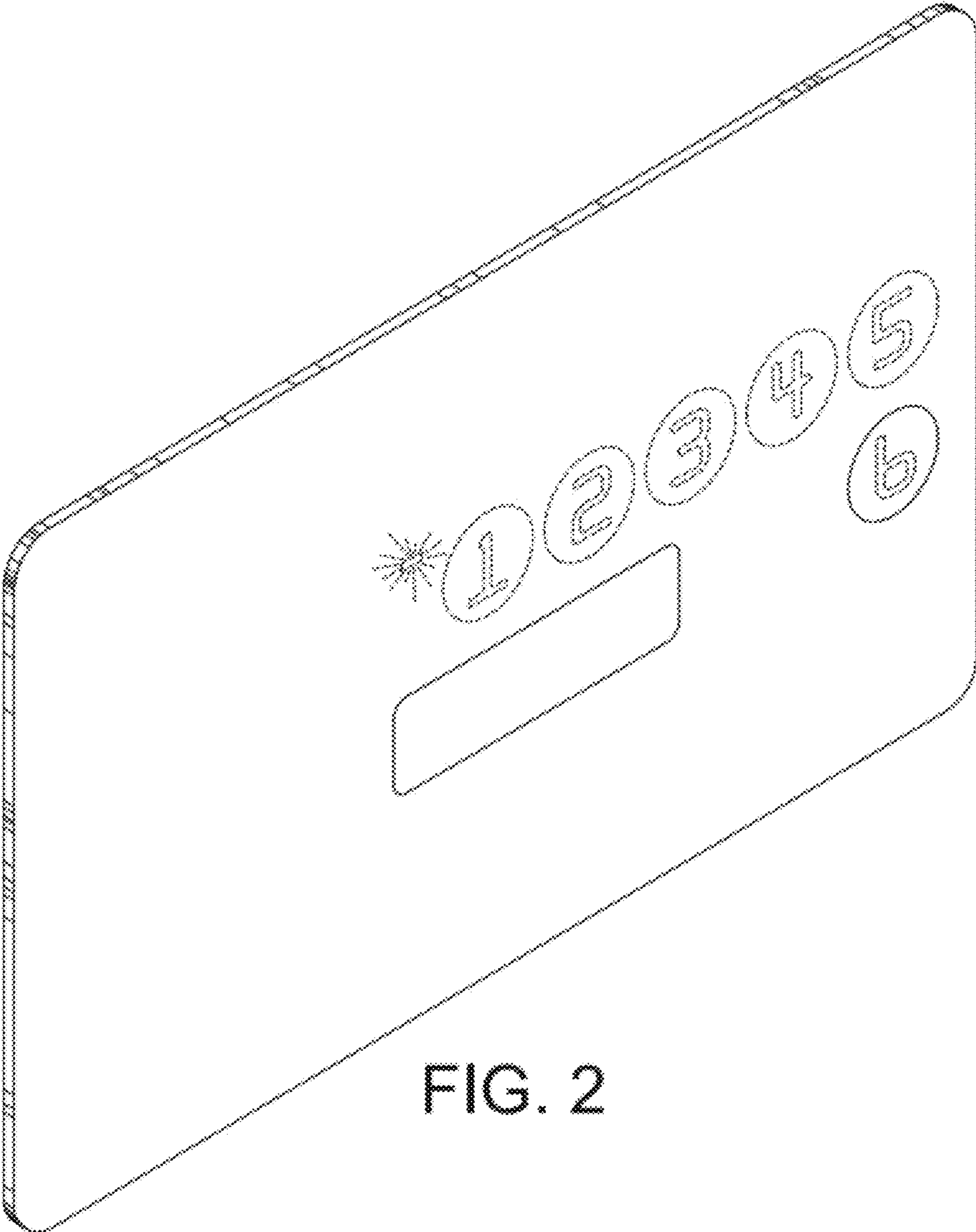


FIG. 2

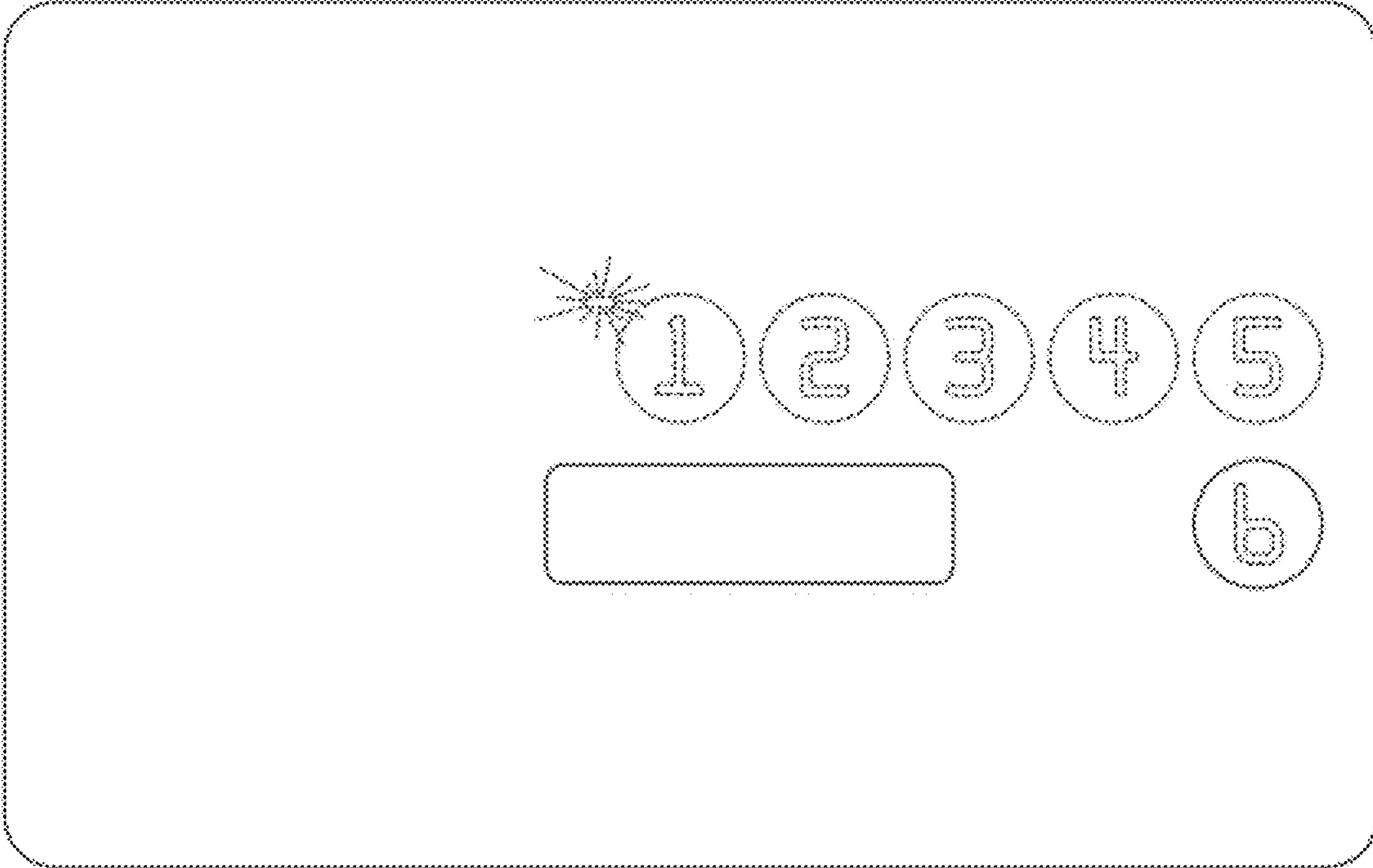


FIG. 3

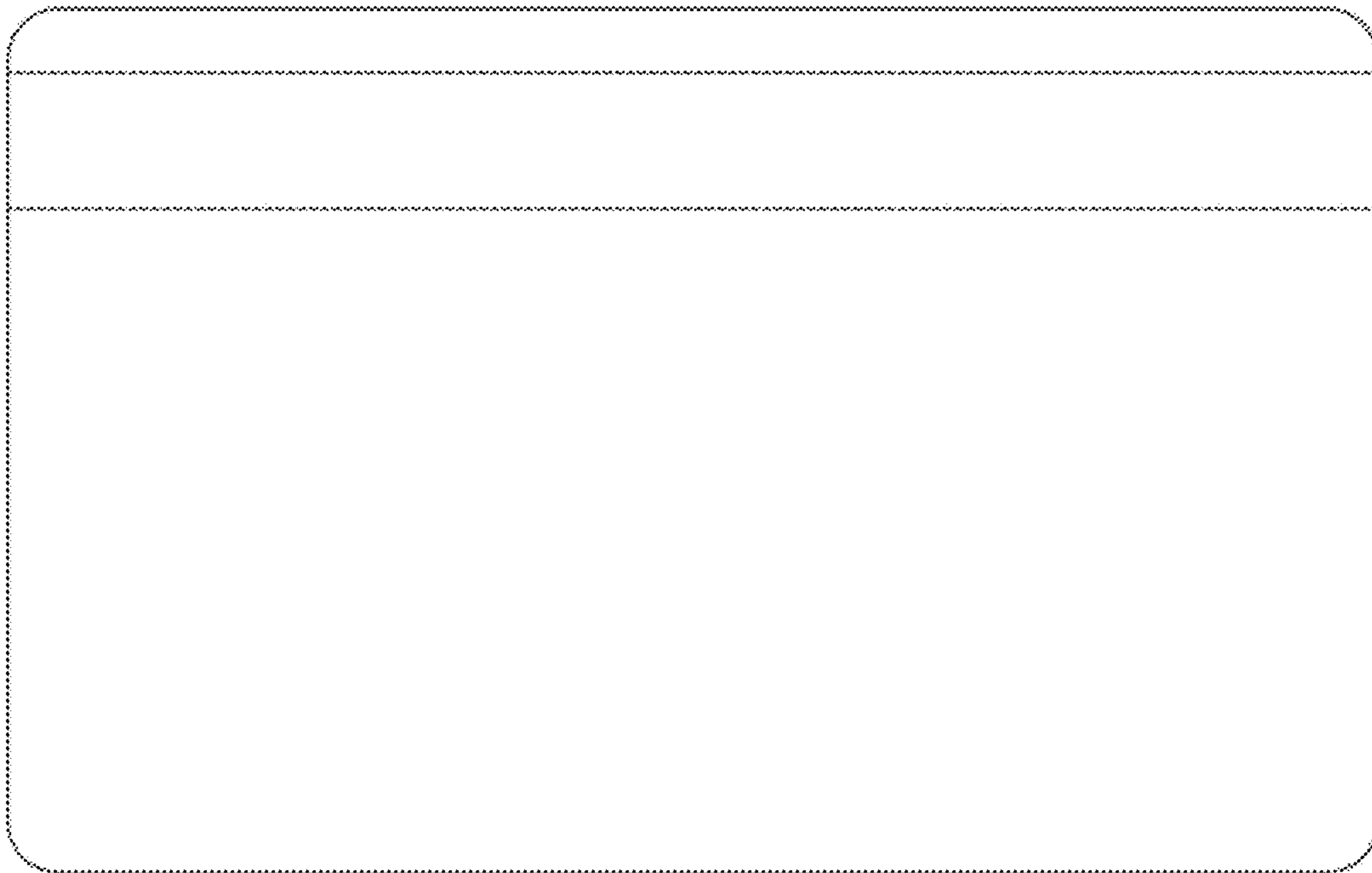


FIG. 4

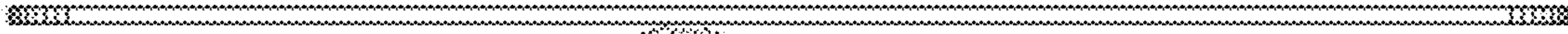


FIG. 5

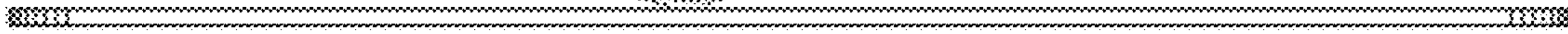


FIG. 6

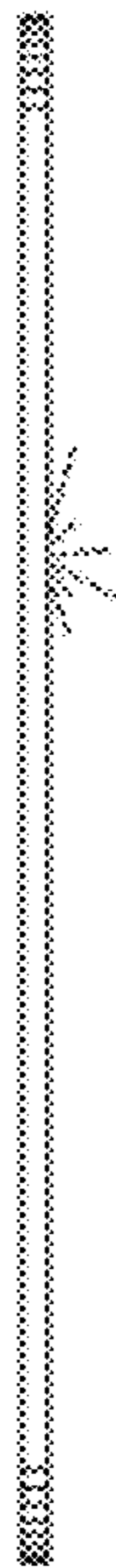


FIG. 7

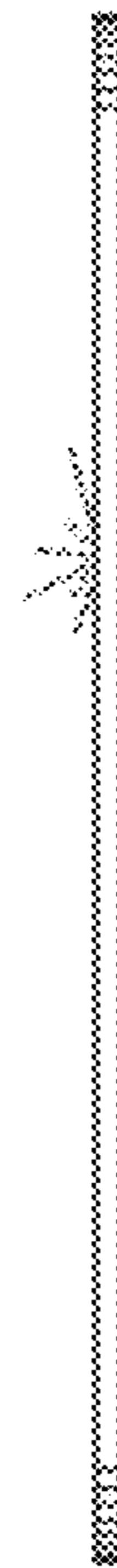


FIG. 8