



US00D670328S

(12) **United States Design Patent**
Suzuki et al.

(10) **Patent No.:** **US D670,328 S**

(45) **Date of Patent:** **** Nov. 6, 2012**

(54) **PRINTER**

(75) Inventors: **Jiro Suzuki**, Nagoya (JP); **Yusaku Seki**, Nagoya (JP)

(73) Assignee: **Brother Industries, Ltd.**, Nagoya (JP)

(**) Term: **14 Years**

(21) Appl. No.: **29/390,660**

(22) Filed: **Apr. 28, 2011**

(30) **Foreign Application Priority Data**

Oct. 28, 2010 (JP) 2010-25970
Oct. 28, 2010 (JP) 2010-25971

(51) **LOC (9) Cl.** **14-02**

(52) **U.S. Cl.** **D18/55**

(58) **Field of Classification Search** D18/36-37,
D18/50, 54, 54.1, 55; D14/420-425, 462-470;
400/613, 613.1-613.4, 690.1-691.4, 691-694
See application file for complete search history.

(56) **References Cited**

U.S. PATENT DOCUMENTS

D534,578 S * 1/2007 Katayama et al. D18/55
D545,357 S * 6/2007 Hattori et al. D18/55
D574,886 S 8/2008 Mase et al.
D575,330 S * 8/2008 Egami et al. D18/55
D579,973 S * 11/2008 Park et al. D18/55
D581,976 S 12/2008 Park et al.
D584,344 S 1/2009 Lee et al.
D586,385 S * 2/2009 Kim et al. D18/55
D589,084 S 3/2009 Suzuki et al.

D596,227 S * 7/2009 Larson et al. D18/55
D613,792 S 4/2010 Suzuki et al.
D614,235 S 4/2010 Nakata
D616,927 S * 6/2010 Suzuki et al. D18/55
D633,555 S 3/2011 Egami
D633,556 S * 3/2011 Park et al. D18/55
D639,851 S * 6/2011 Penke et al. D18/55
D641,778 S 7/2011 Lee et al.
D643,464 S 8/2011 Sato et al.
D647,133 S * 10/2011 Sato et al. D18/55
8,155,556 B2 4/2012 Moribe et al.
D661,345 S 6/2012 Asano et al.

OTHER PUBLICATIONS

Jun. 29, 2012 Office Action issued in U.S. Appl. No. 29/416,893.

* cited by examiner

Primary Examiner — Cathy A MacCormac

(74) *Attorney, Agent, or Firm* — Oliff & Berridge, PLC

(57) **CLAIM**

The ornamental design for a printer, as shown and described.

DESCRIPTION

FIG. 1 is a perspective view of a printer;

FIG. 2 is another perspective view thereof;

FIG. 3 front view thereof;

FIG. 4 is a top view thereof;

FIG. 5 is a right-side view thereof;

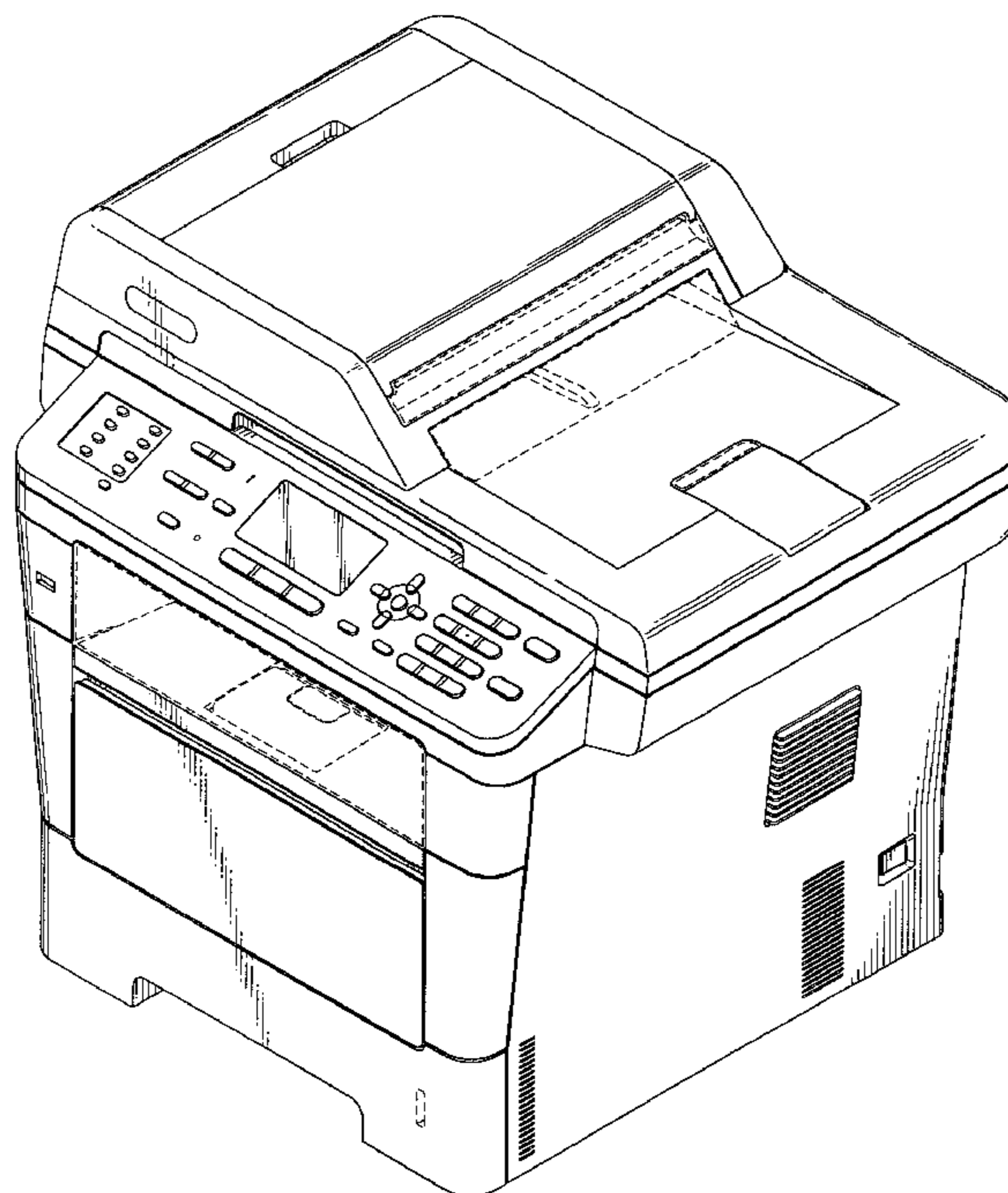
FIG. 6 is a left-side view thereof;

FIG. 7 is a rear view thereof; and,

FIG. 8 is a bottom view thereof.

The broken lines depict environmental subject matter only and form no part of the claimed design.

1 Claim, 8 Drawing Sheets



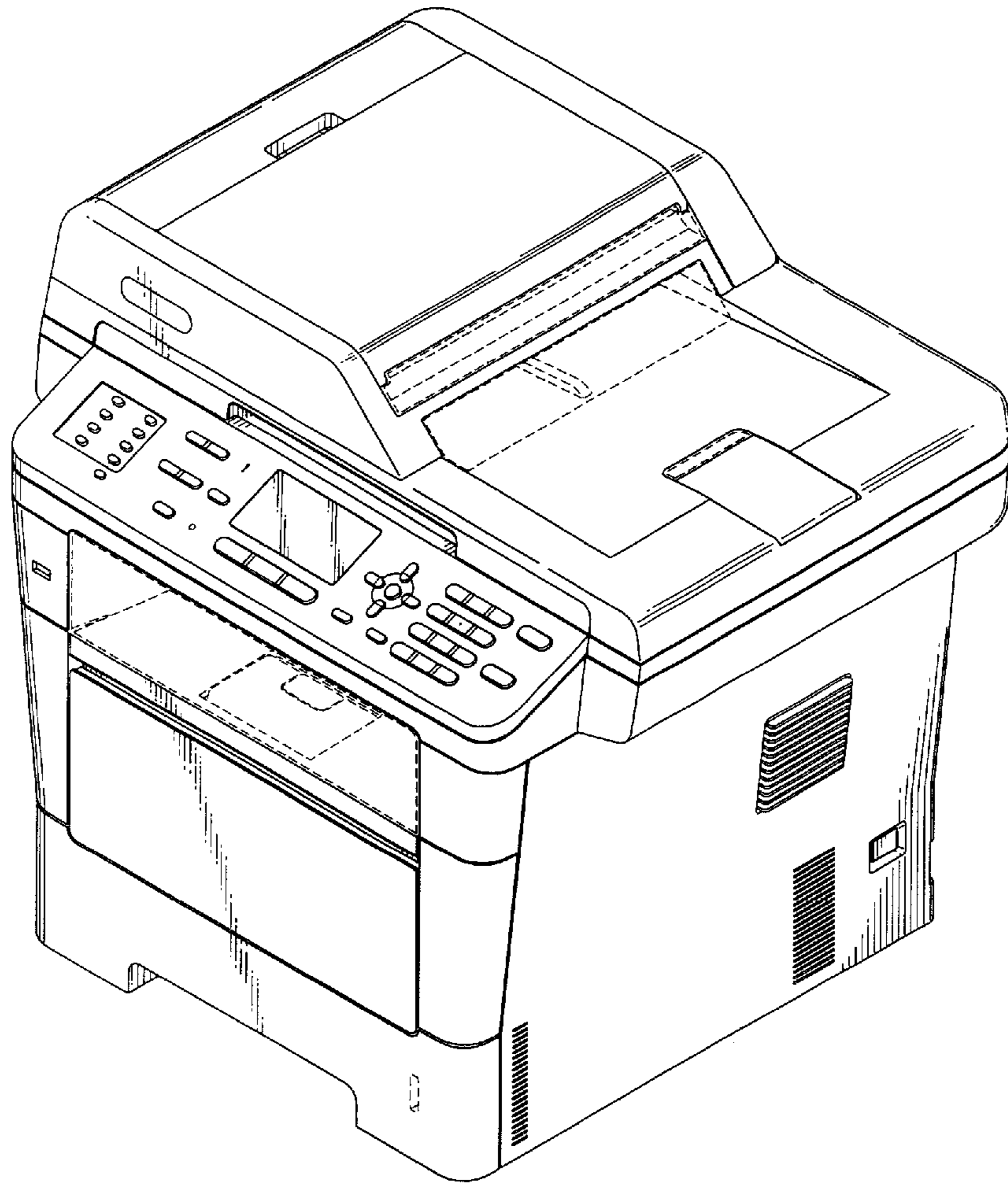


FIG. 1

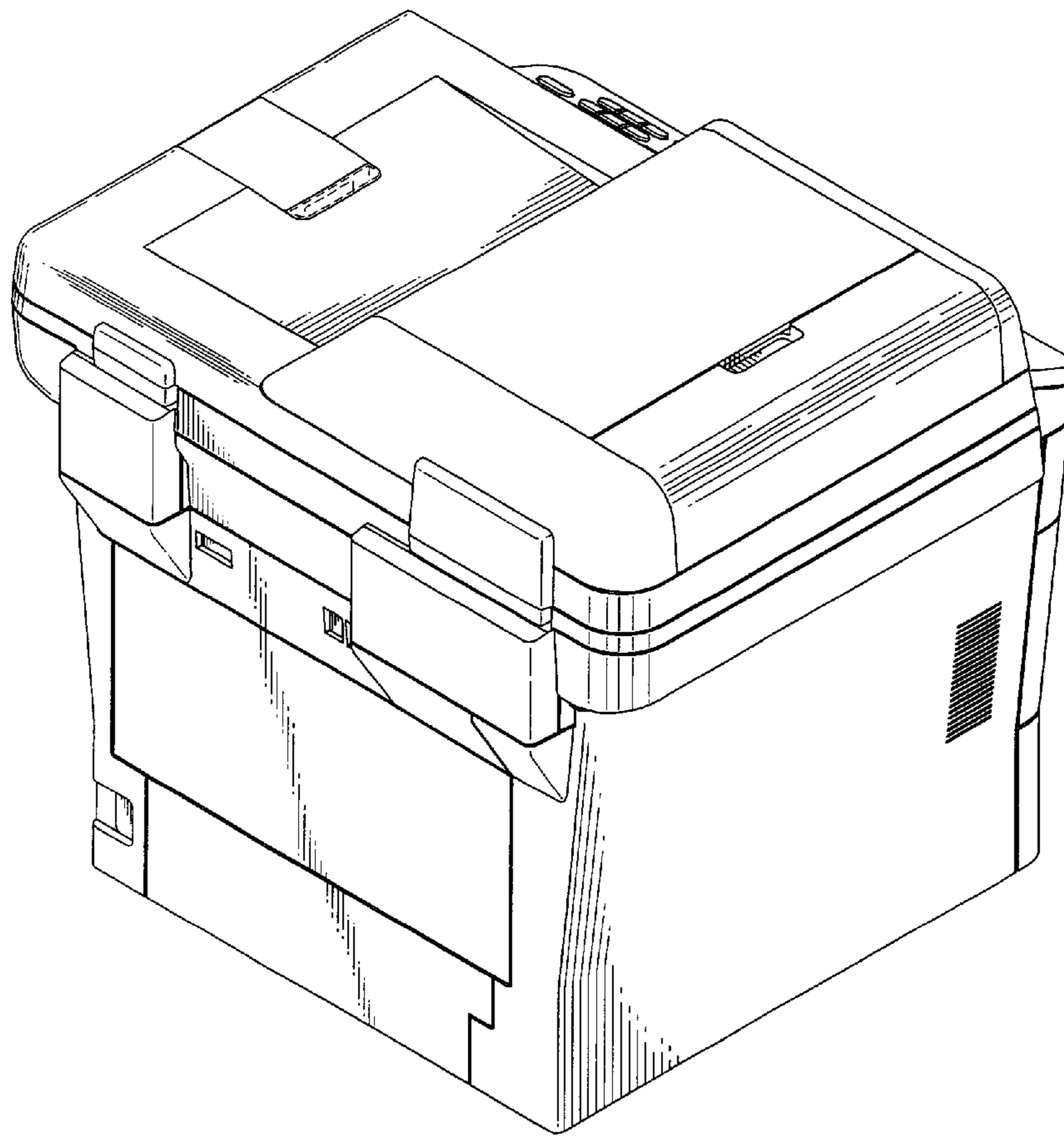


FIG. 2

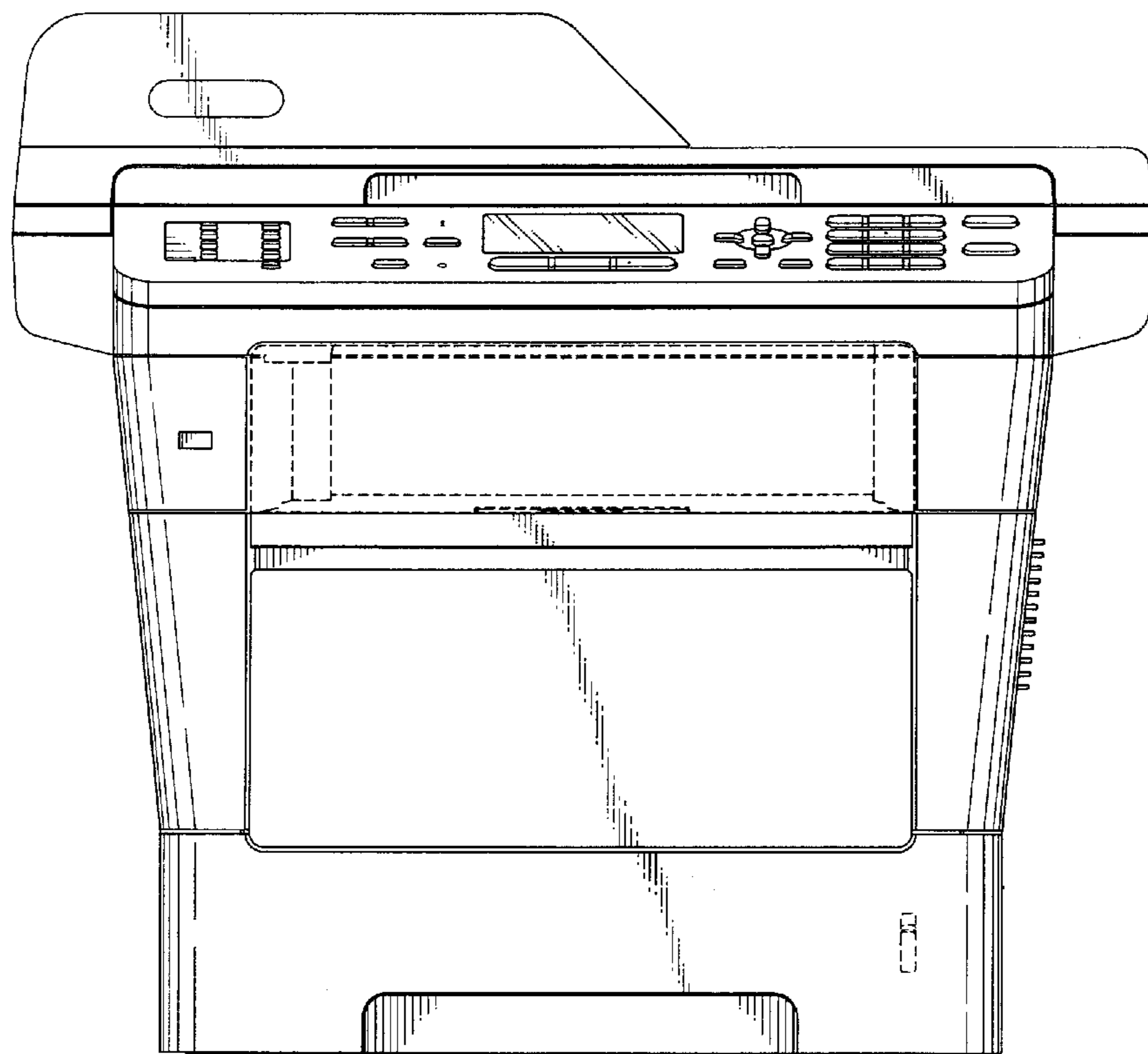


FIG. 3

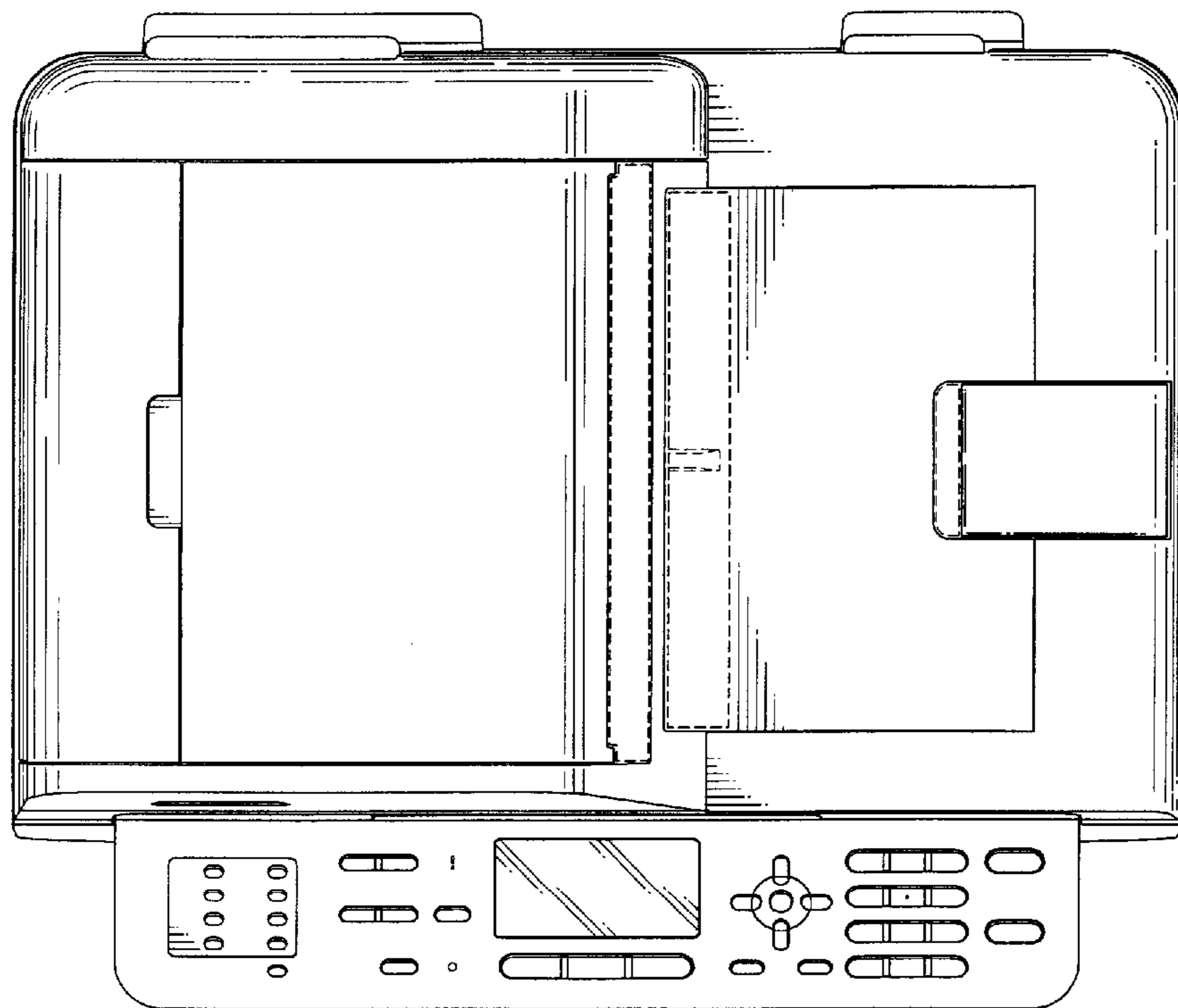


FIG. 4

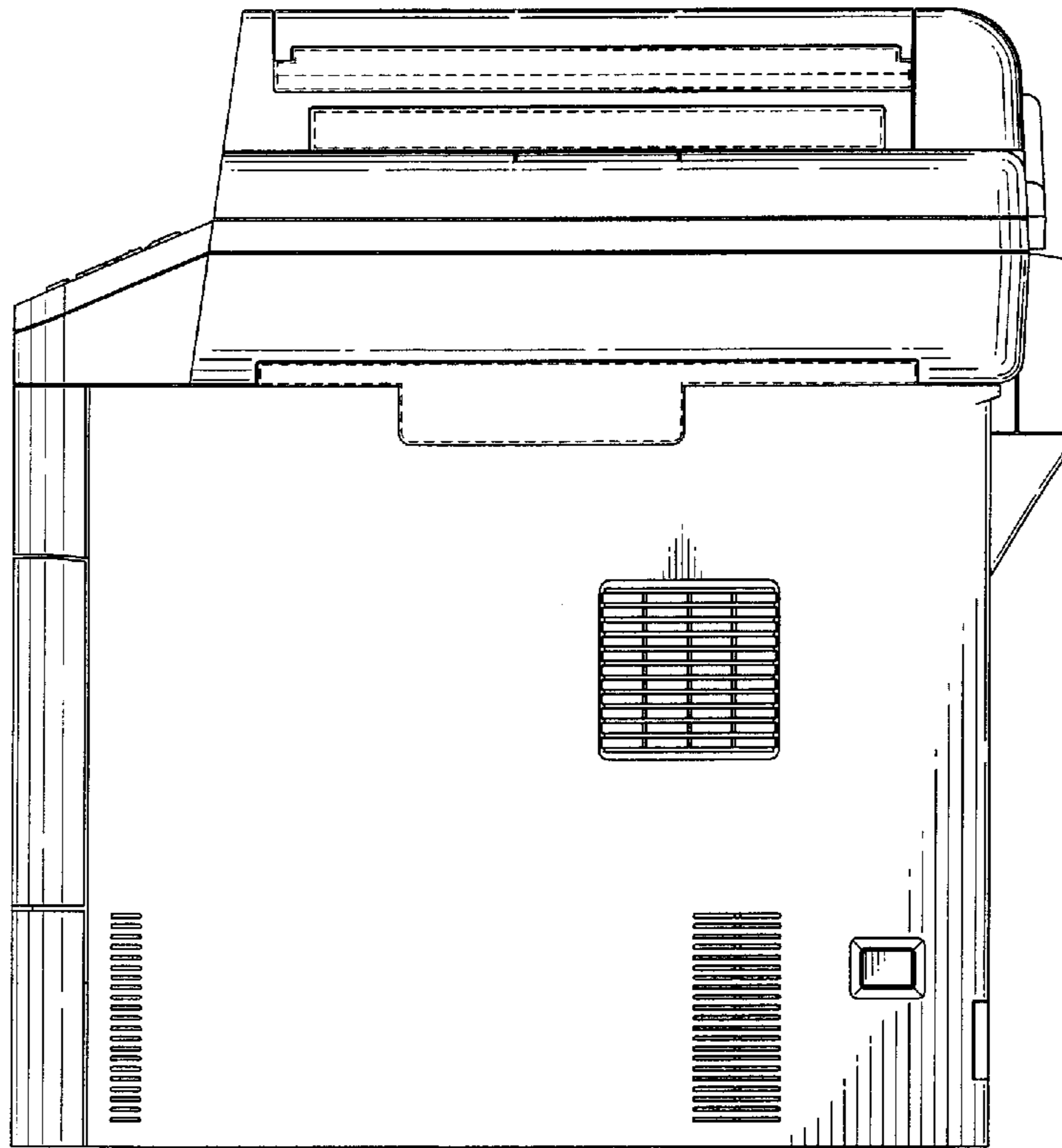


FIG. 5

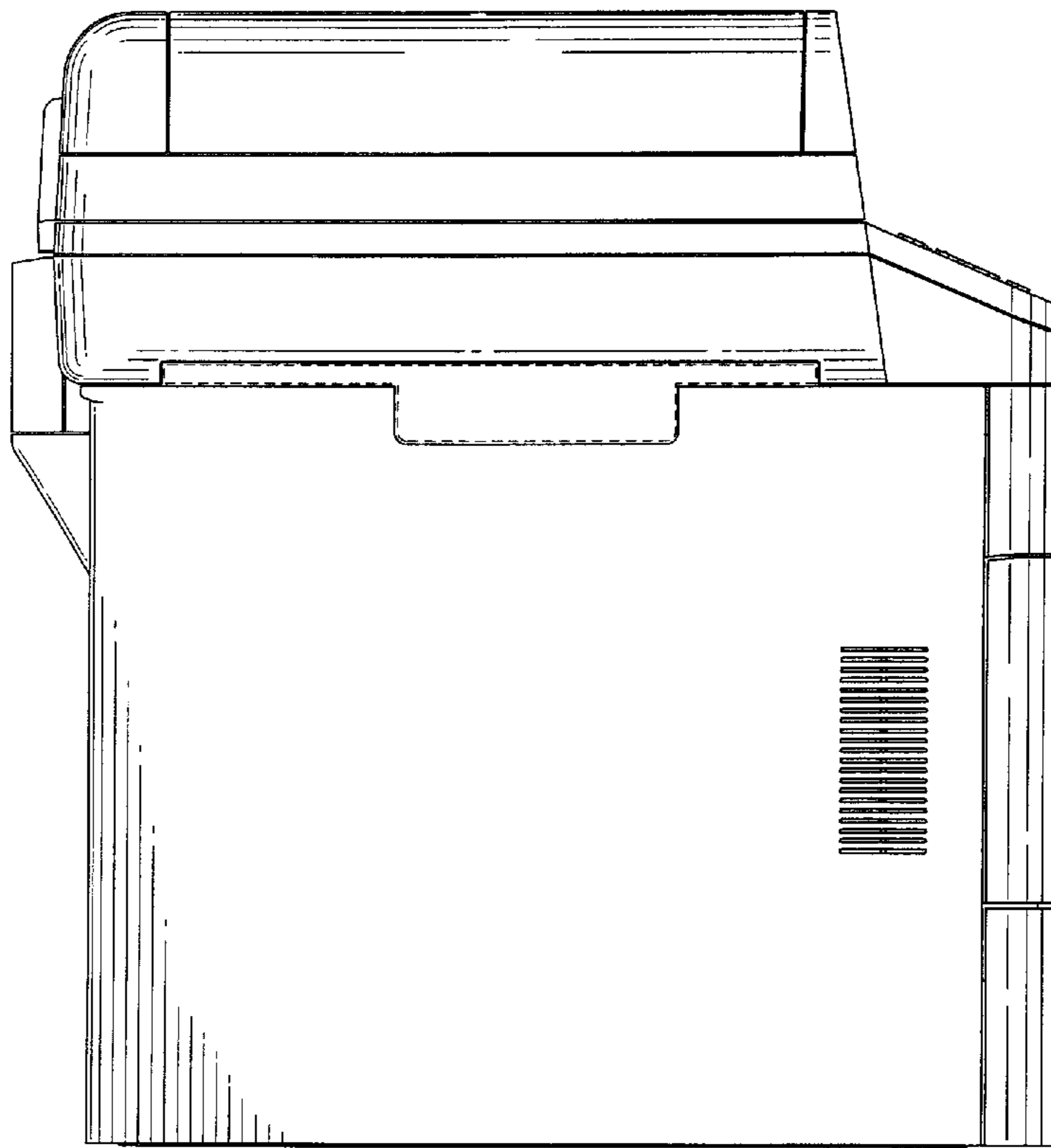


FIG. 6

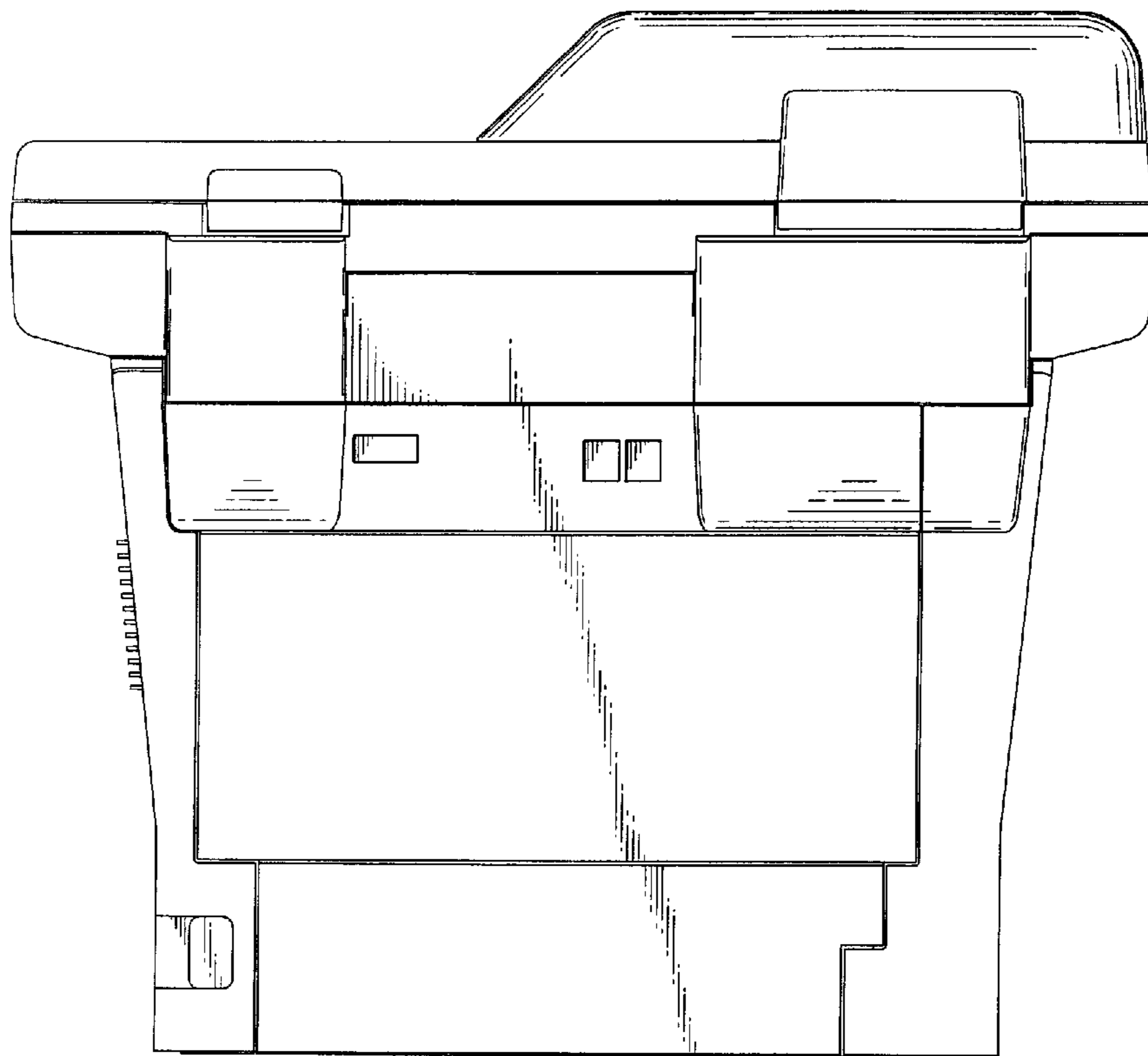


FIG. 7

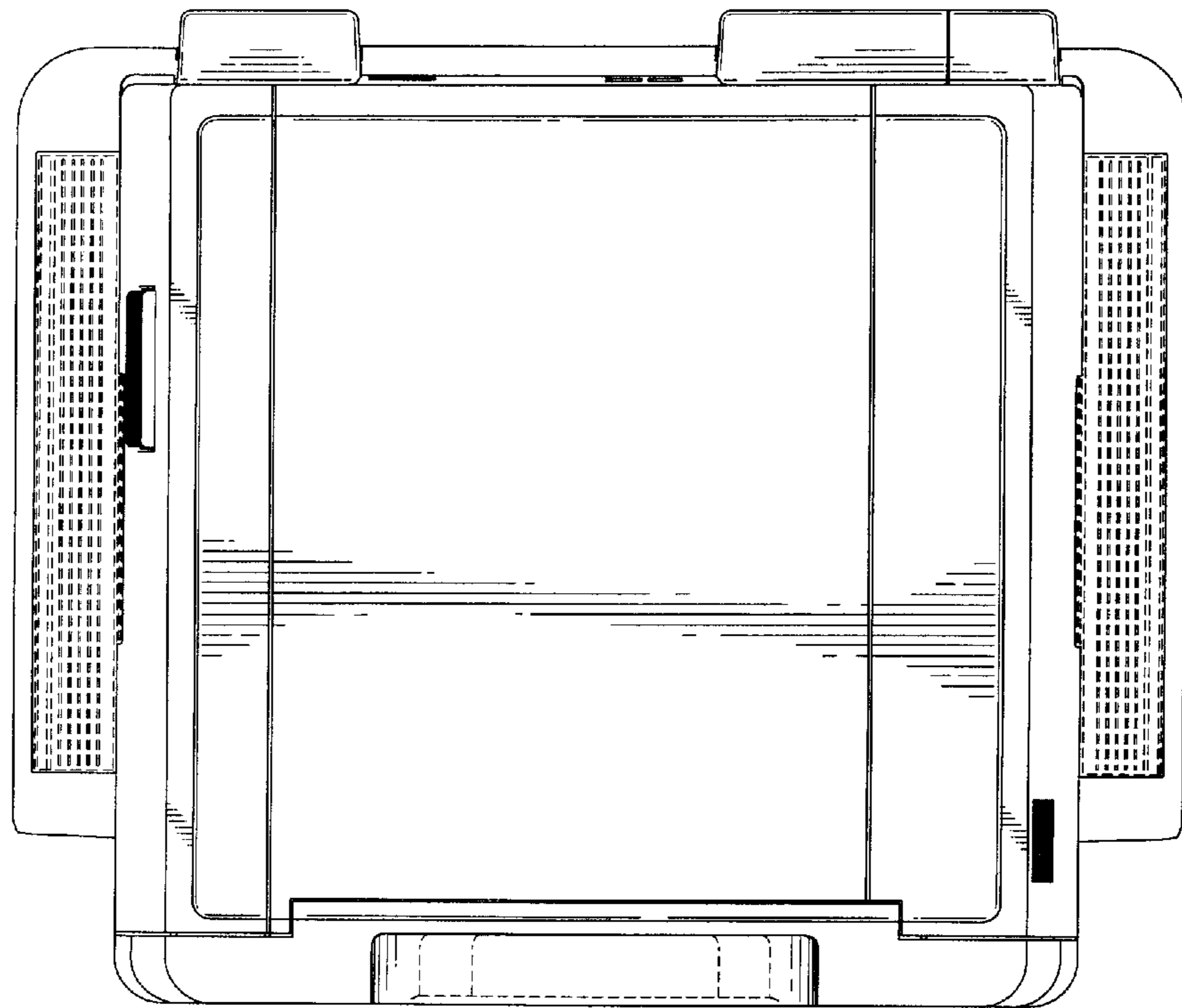


FIG. 8