



US00D670327S

(12) **United States Design Patent**
Yamashita et al.

(10) **Patent No.:** **US D670,327 S**

(45) **Date of Patent:** **** Nov. 6, 2012**

(54) **PRINTER**

(75) Inventors: **Yusuke Yamashita**, Matsumoto (JP);
Takaaki Ishikawa, Matsumoto (JP);
Shinichiro Yoshikawa, Matsumoto (JP)

(73) Assignee: **Seiko Epson Corporation**, Tokyo (JP)

(**) Term: **14 Years**

(21) Appl. No.: **29/389,522**

(22) Filed: **Apr. 13, 2011**

(30) **Foreign Application Priority Data**

Dec. 28, 2010 (JP) 2010-031290

(51) **LOC (9) Cl.** **14-02**

(52) **U.S. Cl.** **D18/55**

(58) **Field of Classification Search** D18/36-37,
D18/50, 54, 54.1, 55; D14/420-425, 462-470;
400/613, 613.1-613.4, 690.1-691.4, 691-694

See application file for complete search history.

(56) **References Cited**

U.S. PATENT DOCUMENTS

D372,733	S	*	8/1996	Yoshida	D18/55
D436,123	S	*	1/2001	Ito et al.	D18/54
D614,234	S	*	4/2010	Ishikawa et al.	D18/55
D647,958	S	*	11/2011	Yoshioka et al.	D18/50
D648,377	S	*	11/2011	Miyauchi et al.	D18/50
D648,378	S	*	11/2011	Ishikawa et al.	D18/50
D648,379	S	*	11/2011	Ishikawa et al.	D18/50

* cited by examiner

Primary Examiner — Cathy A MacCormac

(57) **CLAIM**

The ornamental design for a printer, as shown and described.

DESCRIPTION

FIG. 1 is a top, front and right side perspective view of a printer showing our new design;
FIG. 2 is a front view thereof;
FIG. 3 is a rear view thereof;
FIG. 4 is a top plan view thereof;
FIG. 5 is a bottom plan view thereof;
FIG. 6 is a right side elevational view thereof; and,
FIG. 7 is a left side elevational view thereof.
The broken lines are shown for illustrative purposes only and form no part of the claimed design.

1 Claim, 3 Drawing Sheets

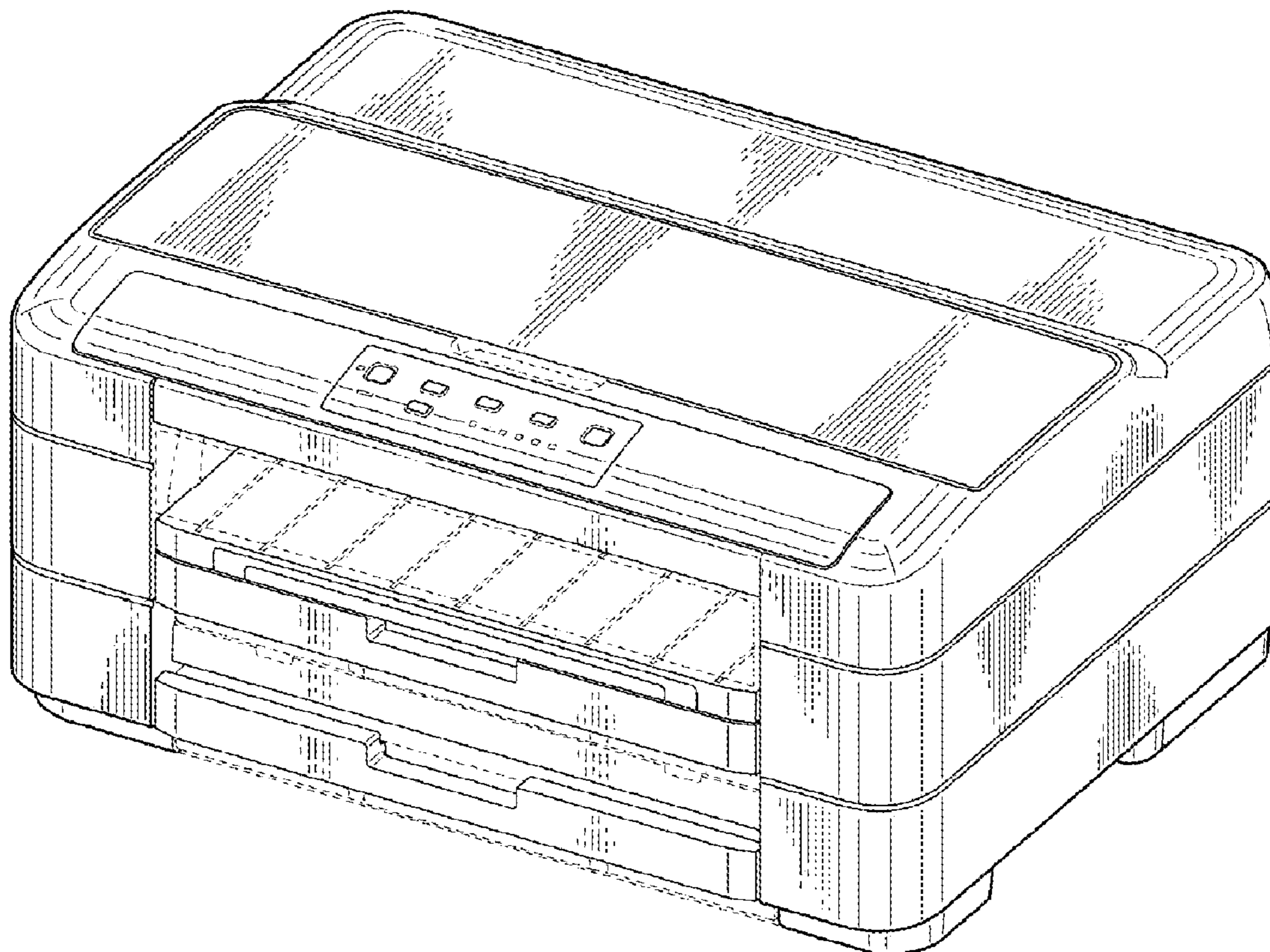


FIG. 1

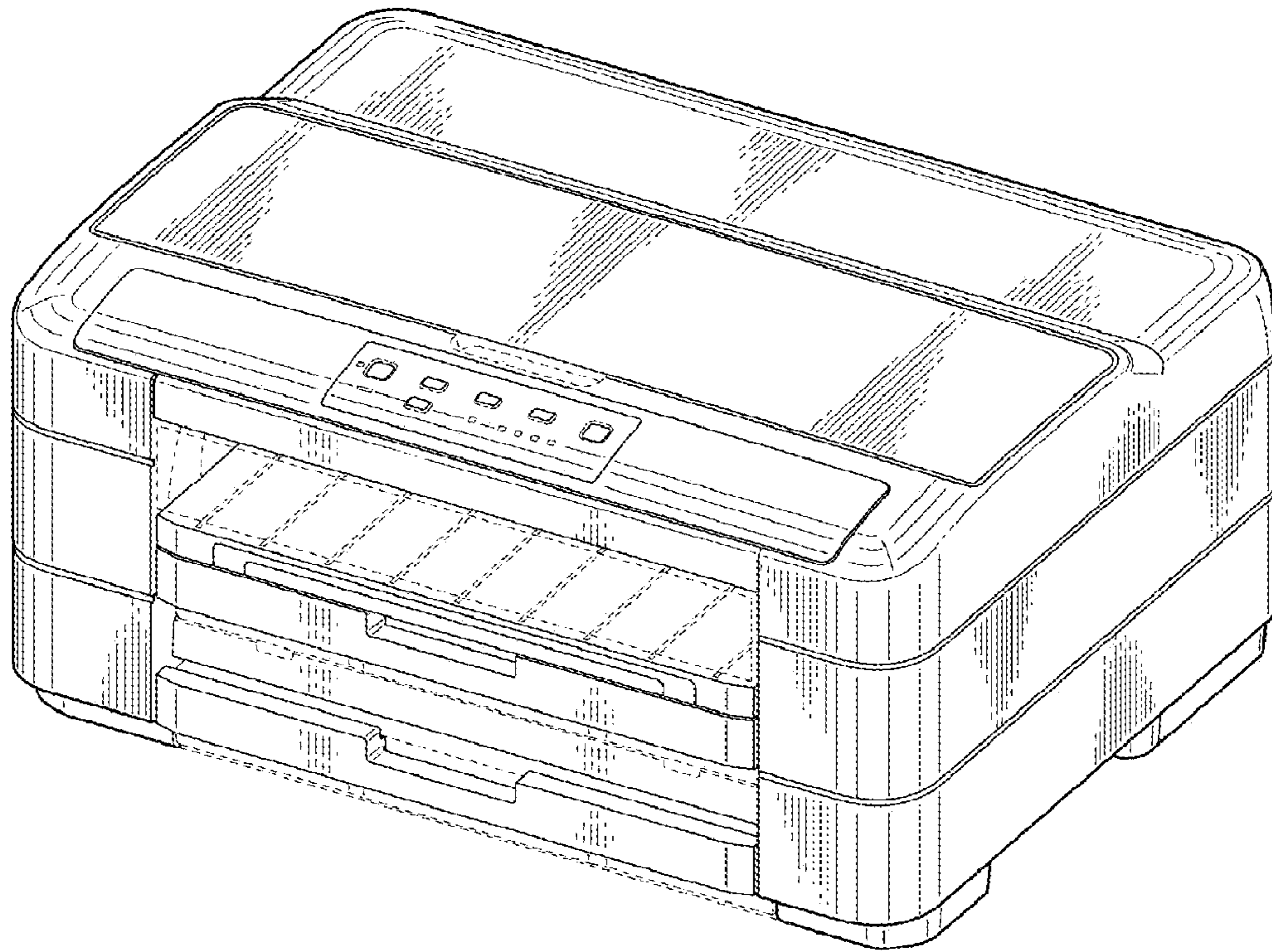


FIG. 2

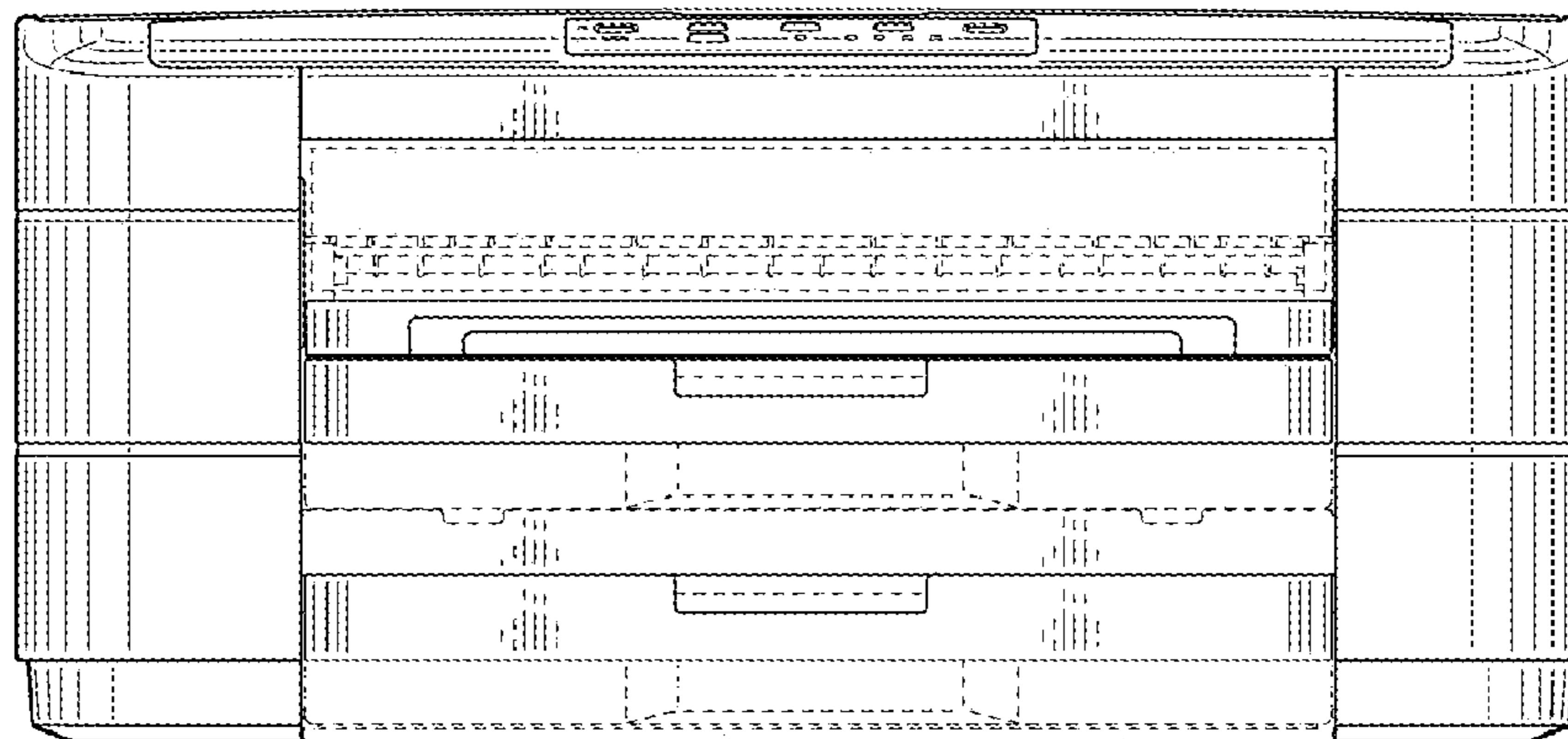


FIG. 3

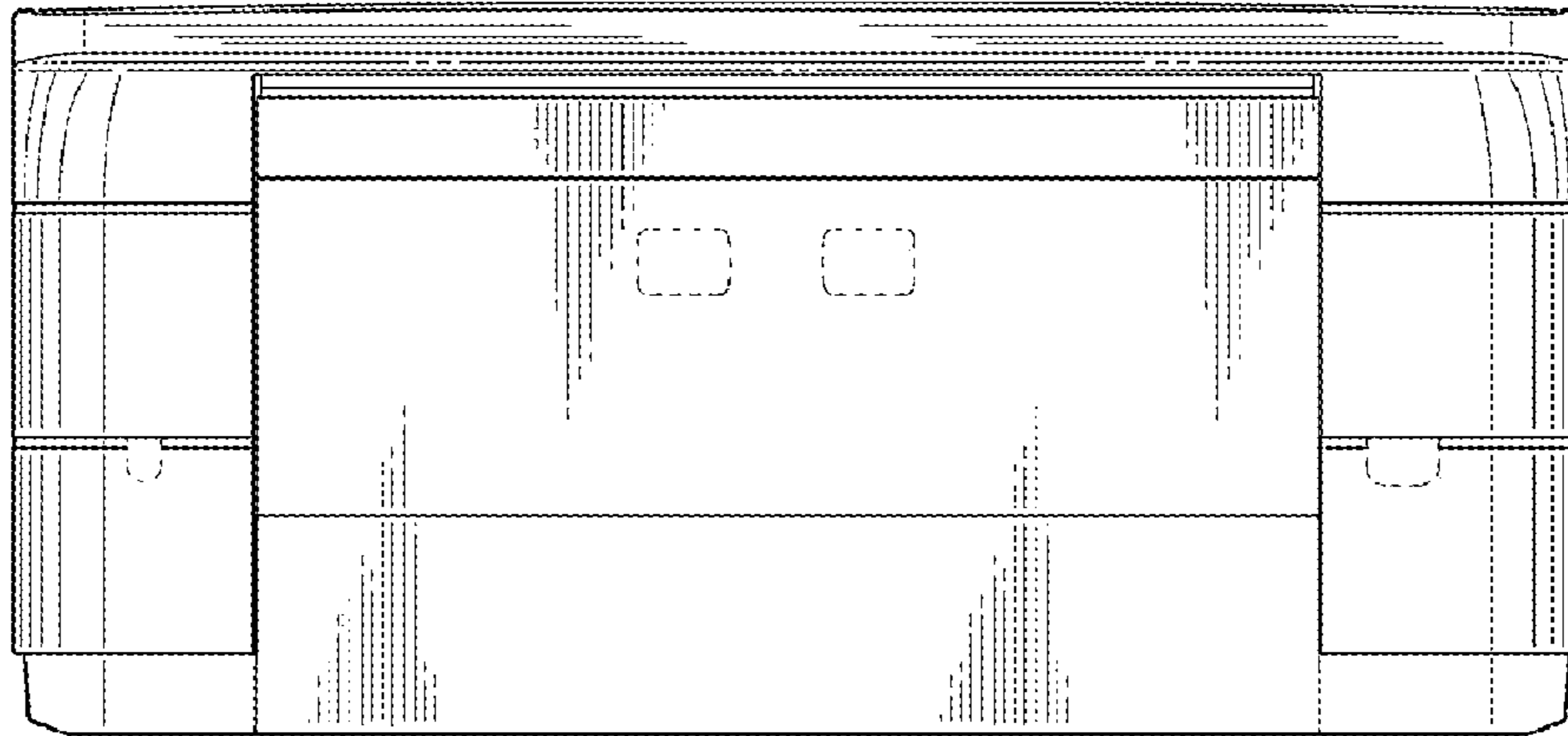


FIG. 4

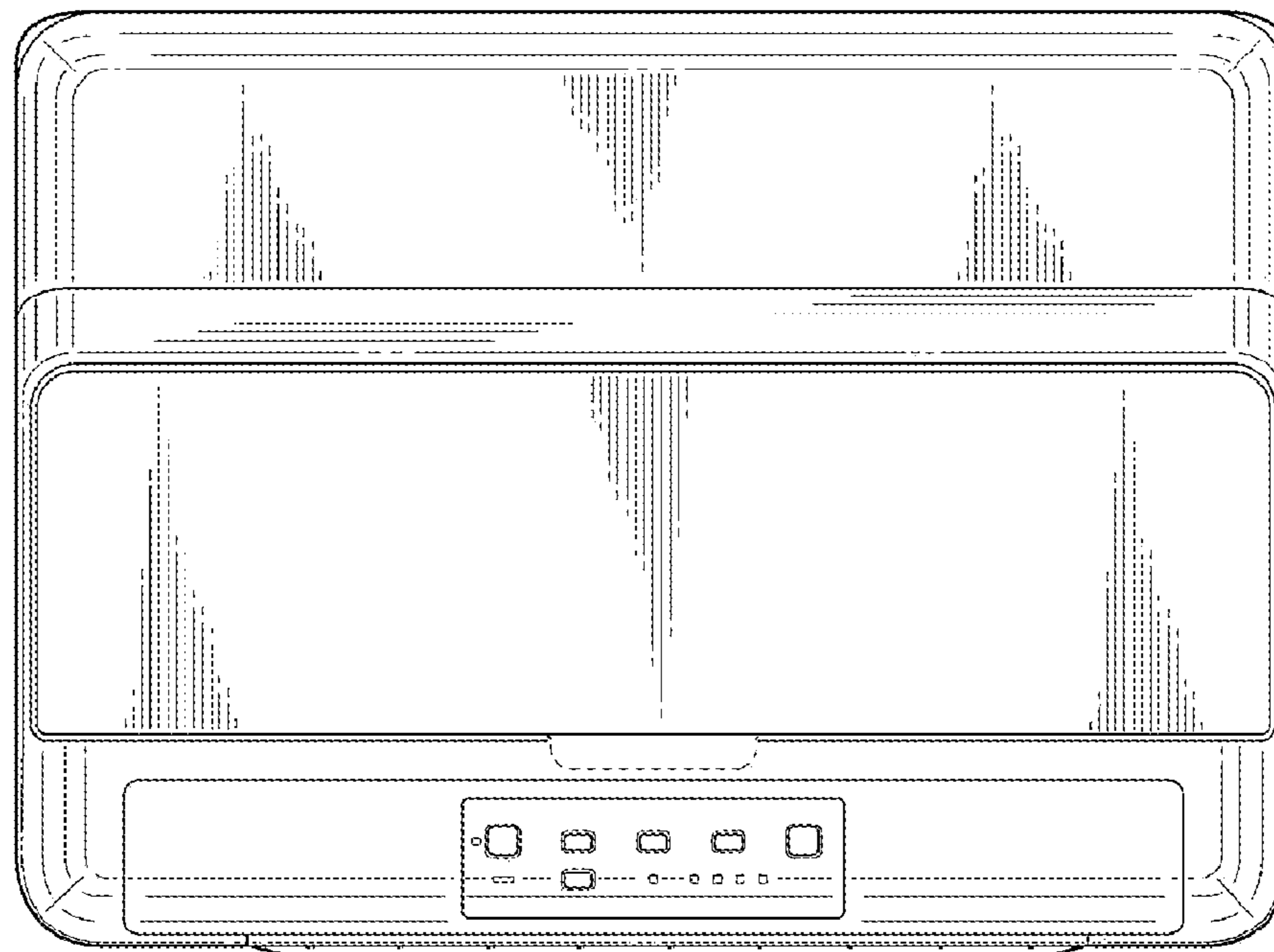


FIG. 5

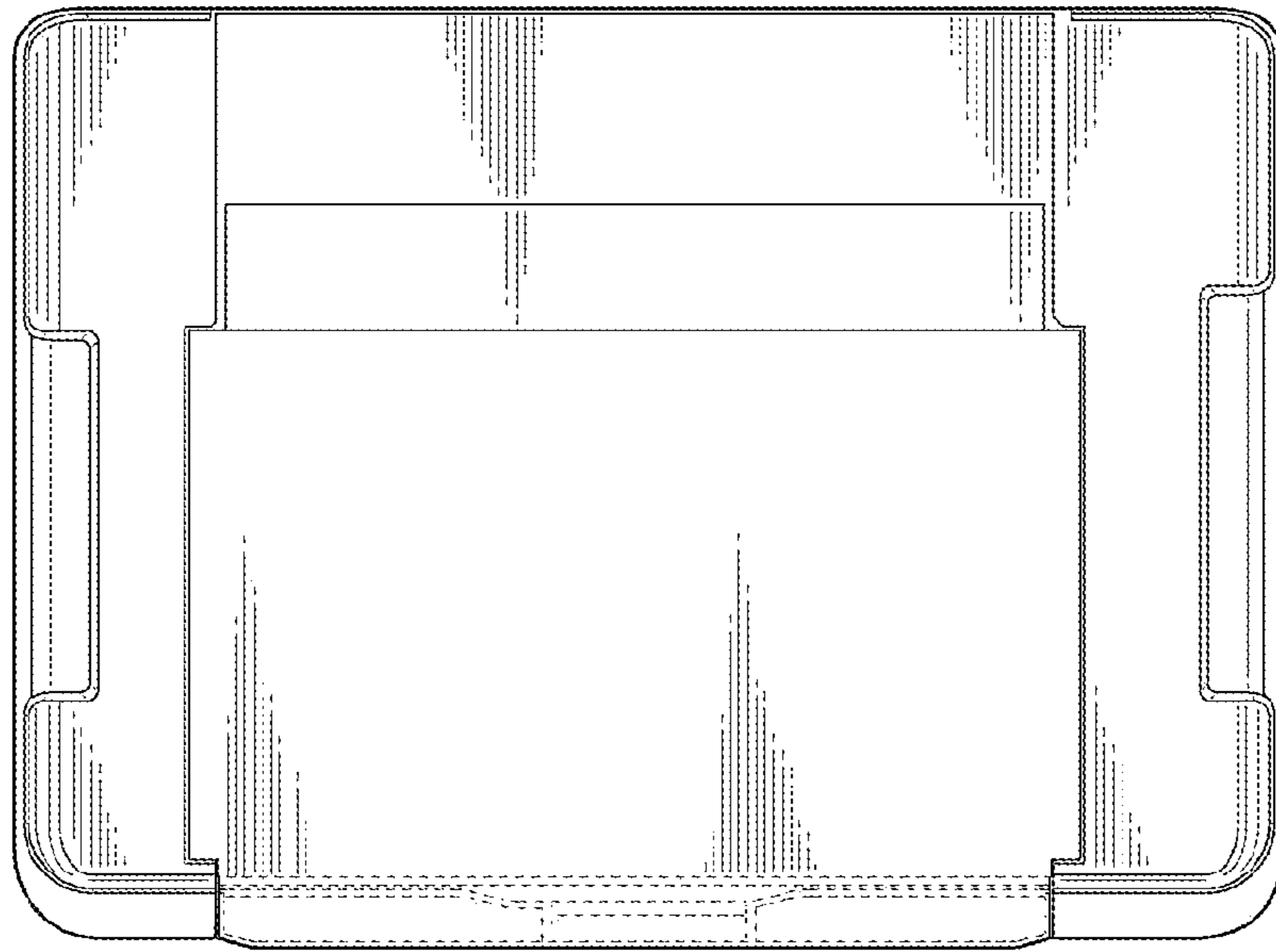


FIG. 6

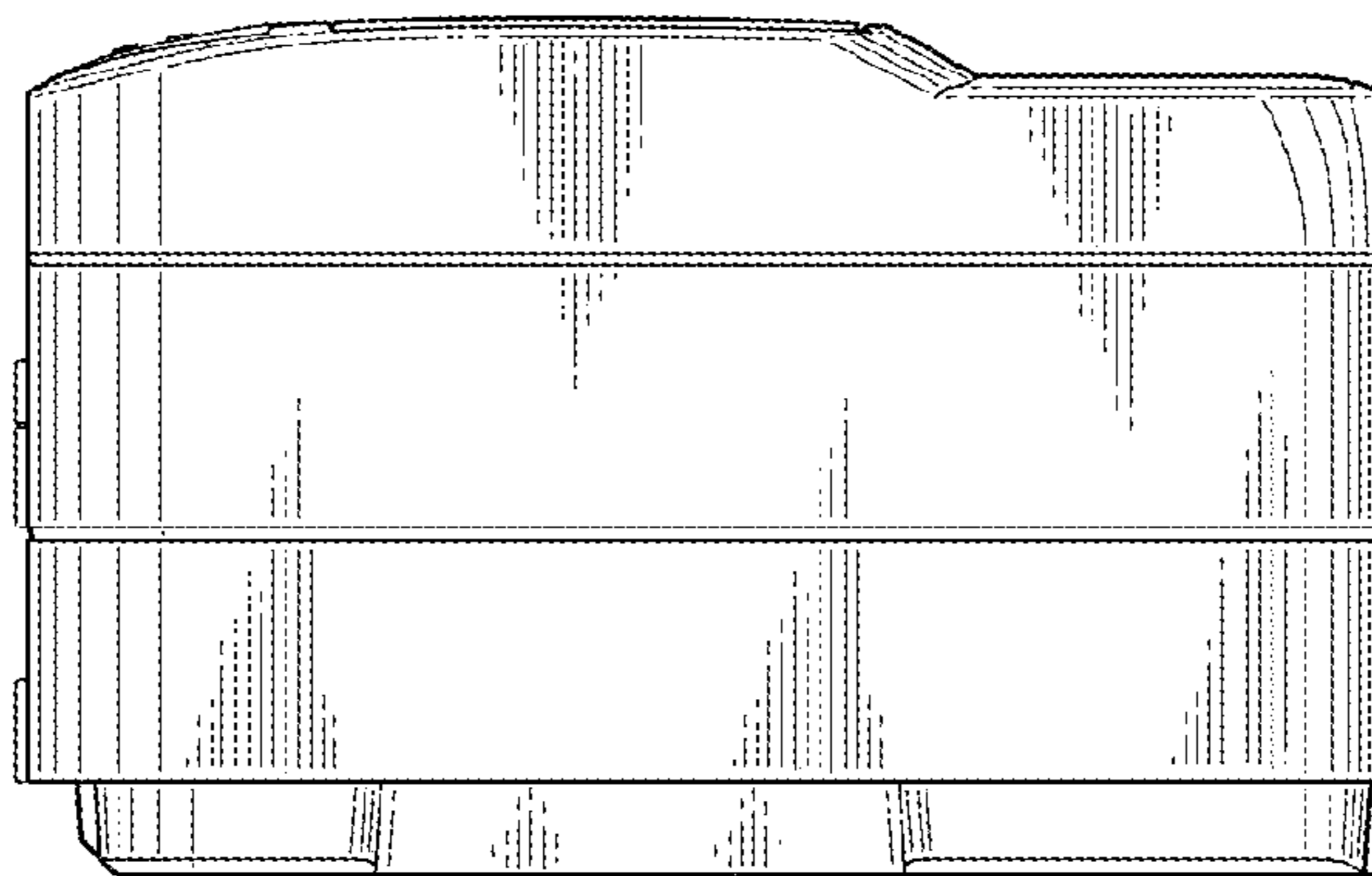


FIG. 7

