



US00D670326S

(12) **United States Design Patent**  
**Yoshida**

(10) **Patent No.:** **US D670,326 S**

(45) **Date of Patent:** **\*\* Nov. 6, 2012**

(54) **PRINTER**

(75) Inventor: **Hidefumi Yoshida**, Osaka (JP)

(73) Assignee: **Konica Minolta Business Technologies, Inc.**, Chiyoda-Ku, Tokyo (JP)

(\*\*) Term: **14 Years**

(21) Appl. No.: **29/356,620**

(22) Filed: **Mar. 1, 2010**

(30) **Foreign Application Priority Data**

Aug. 31, 2009 (CN) ..... 2009 3 0205364

(51) **LOC (9) Cl.** ..... **14-02**

(52) **U.S. Cl.** ..... **D18/55**

(58) **Field of Classification Search** ..... D18/36-37,  
D18/50, 54, 54.1, 55; D14/420-425, 462-470;  
400/613, 613.1-613.4, 690.1-690.4, 691-694  
See application file for complete search history.

(56) **References Cited**

**U.S. PATENT DOCUMENTS**

- D423,562 S \* 4/2000 Kobayashi ..... D18/55
- D441,785 S \* 5/2001 Yoshida et al. .... D18/55
- D452,704 S \* 1/2002 Kobayashi ..... D18/55
- D455,172 S \* 4/2002 Falk et al. .... D18/55

- D529,546 S \* 10/2006 Kamiya et al. .... D18/55
- D532,043 S \* 11/2006 Park et al. .... D18/50
- D585,934 S \* 2/2009 Tomono et al. .... D18/55
- D587,306 S \* 2/2009 Isogai ..... D18/55
- D607,049 S \* 12/2009 Sasaki et al. .... D18/55
- D608,823 S 1/2010 Tomono

\* cited by examiner

*Primary Examiner* — Cathy A MacCormac

(74) *Attorney, Agent, or Firm* — Buchanan Ingersoll & Rooney PC

(57) **CLAIM**

The ornamental design for a printer, as shown, and described.

**DESCRIPTION**

FIG. 1 is a perspective view of a printer showing my new design;  
 FIG. 2 is a front elevational view thereof;  
 FIG. 3 is a rear elevational view thereof;  
 FIG. 4 is a right side view thereof;  
 FIG. 5 is a left side view thereof;  
 FIG. 6 is a top plan view thereof; and,  
 FIG. 7 is a bottom plan view thereof.  
 The broken lines depict environmental subject matter only and form no part of the claimed design.

**1 Claim, 5 Drawing Sheets**

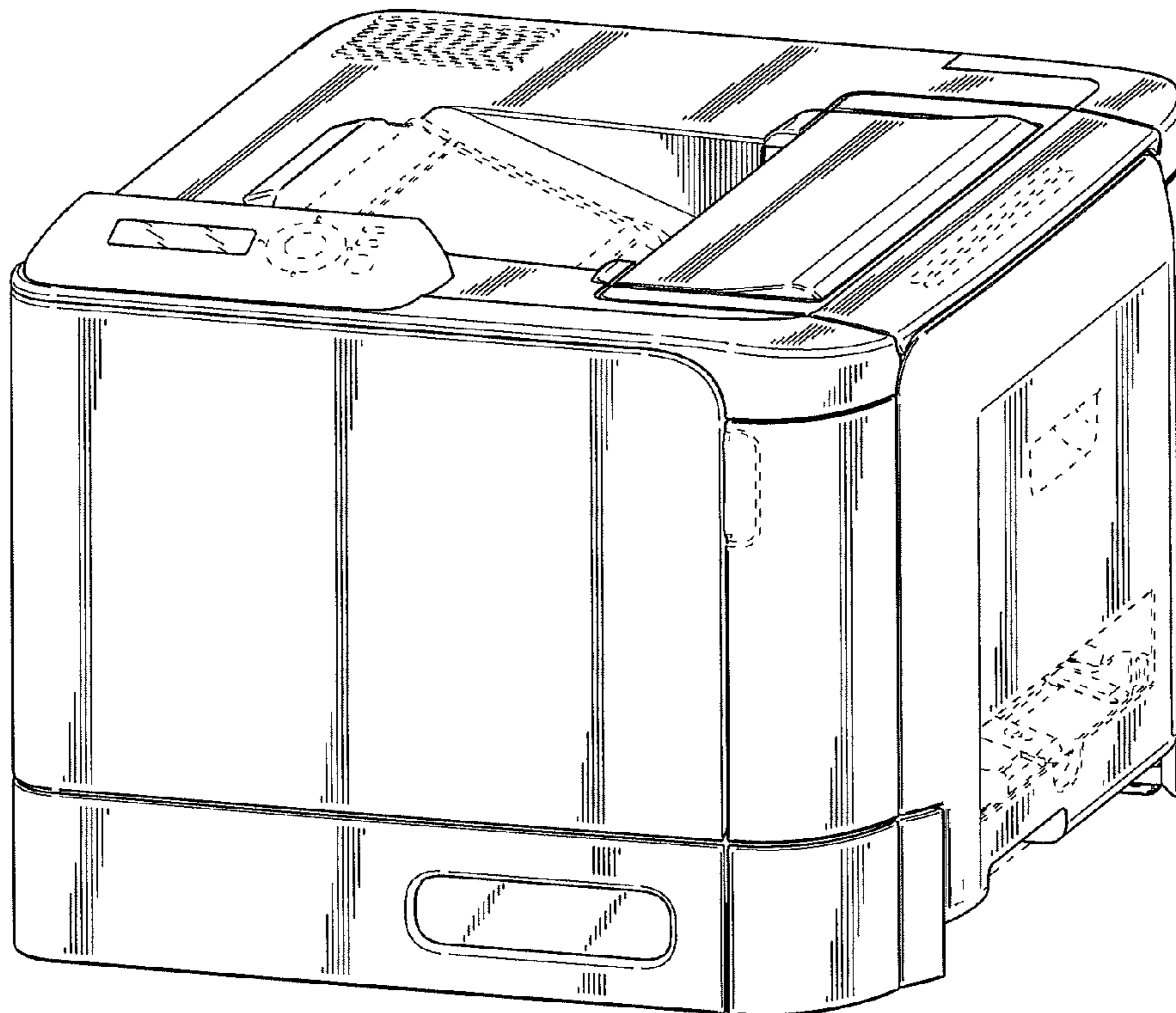


Fig. 1

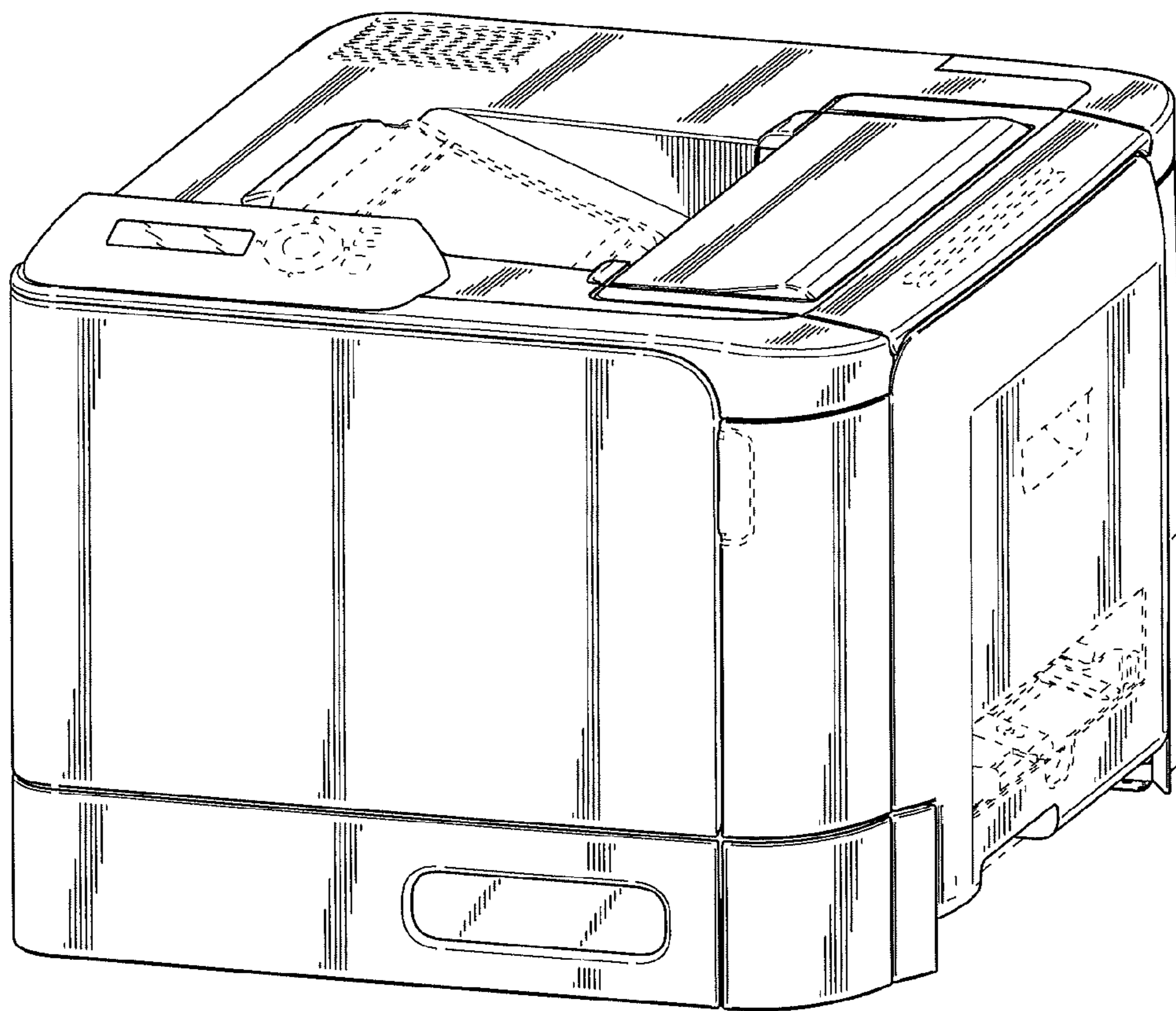


Fig. 2

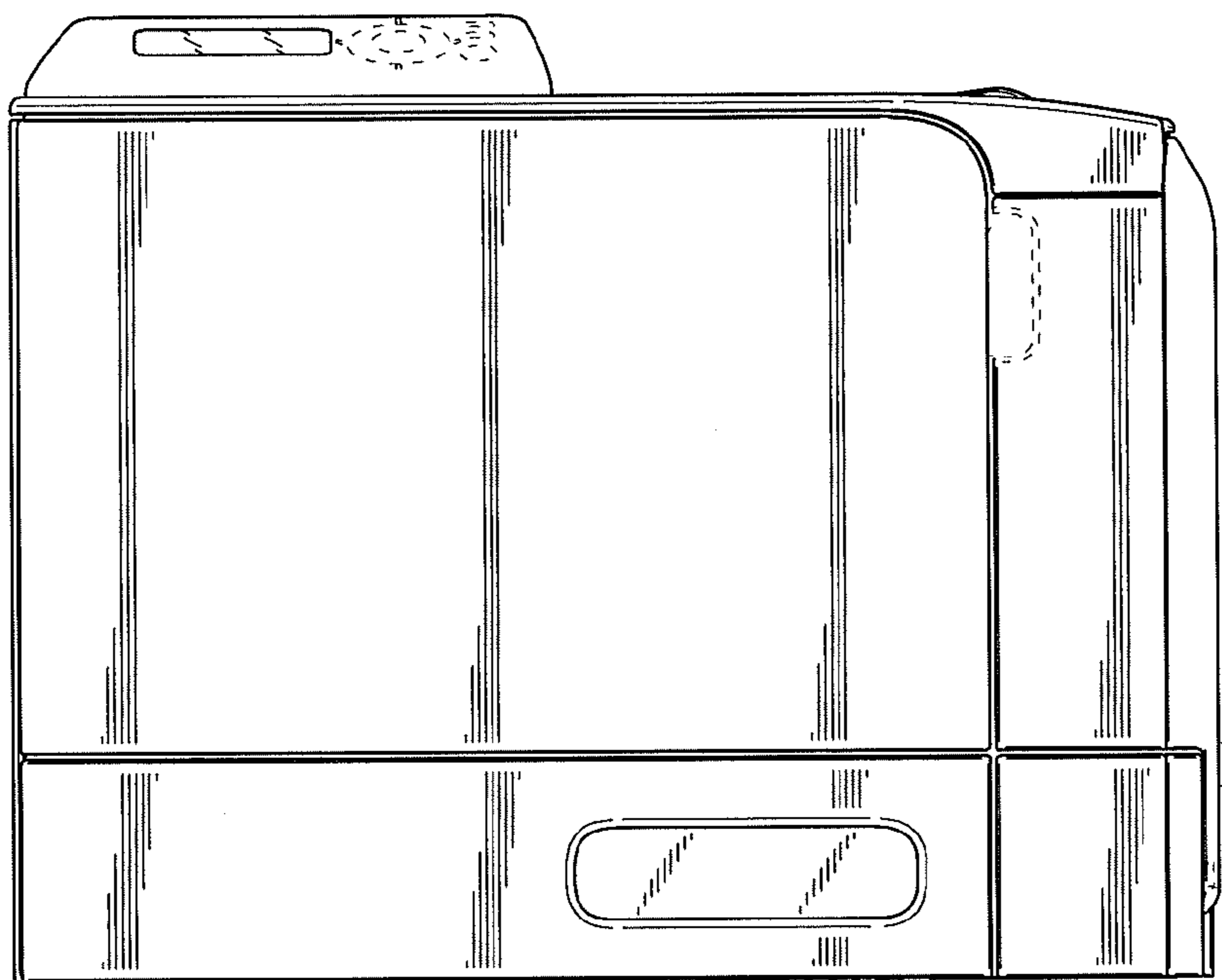


Fig. 3

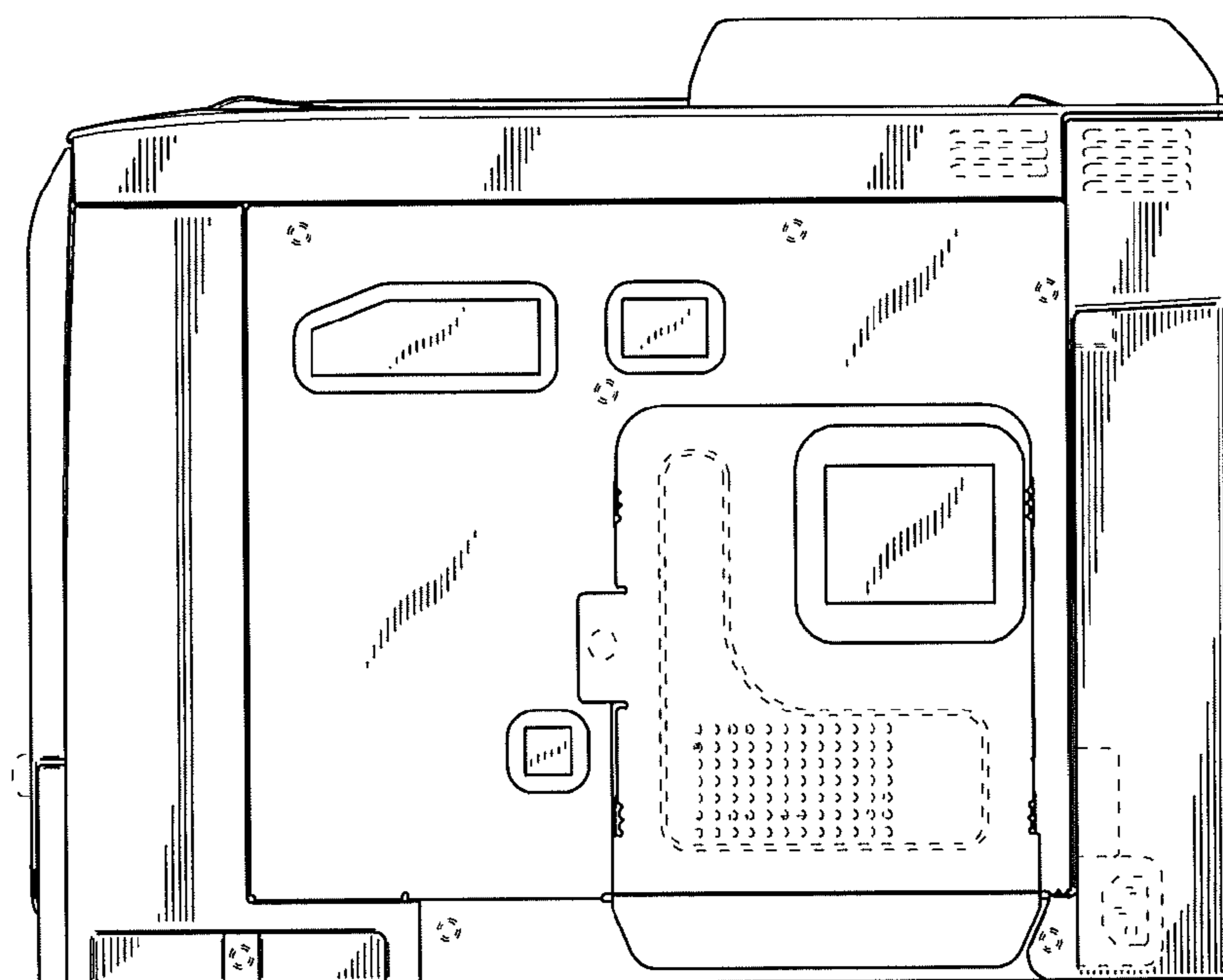


Fig. 4

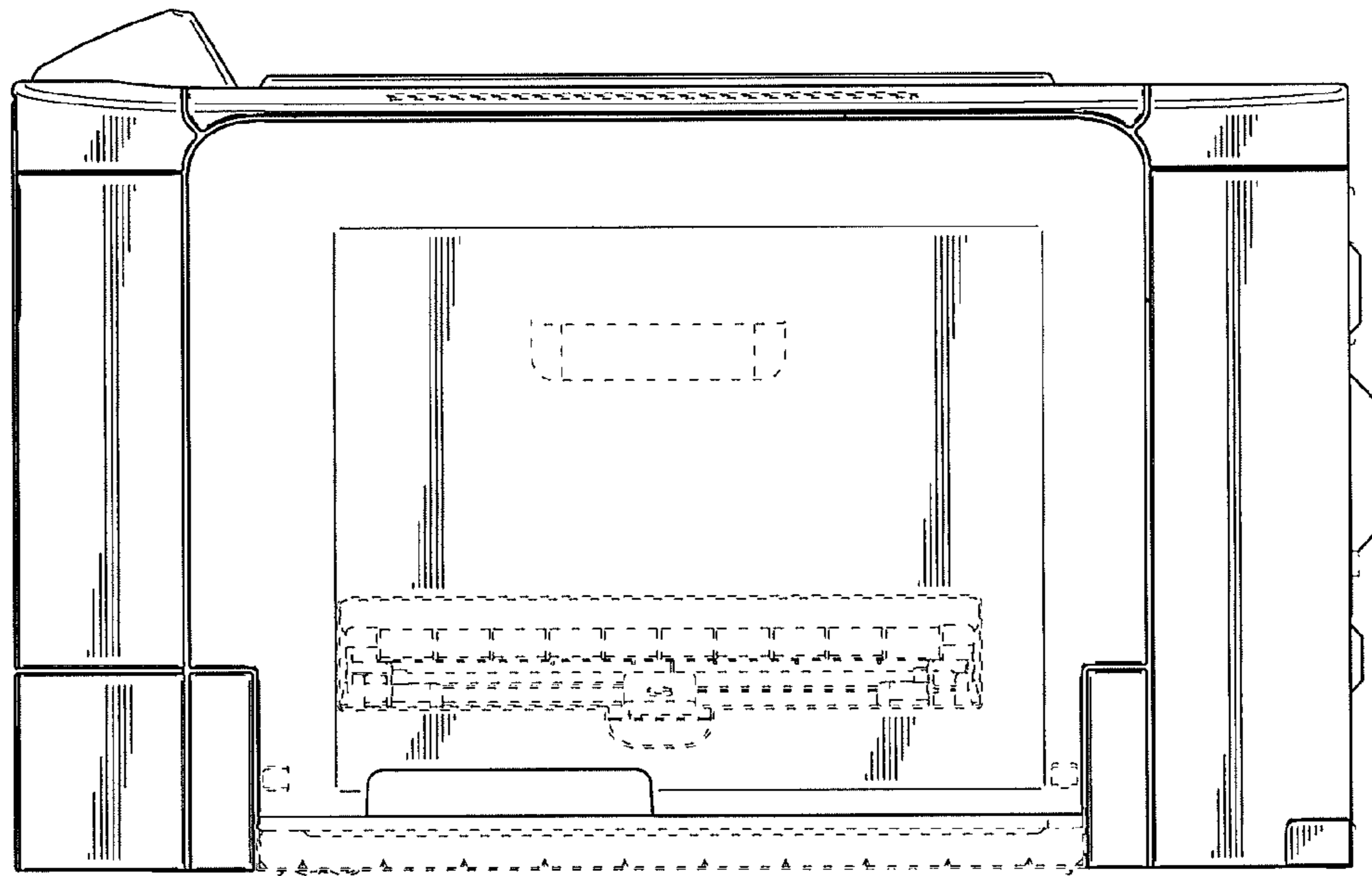


Fig. 5

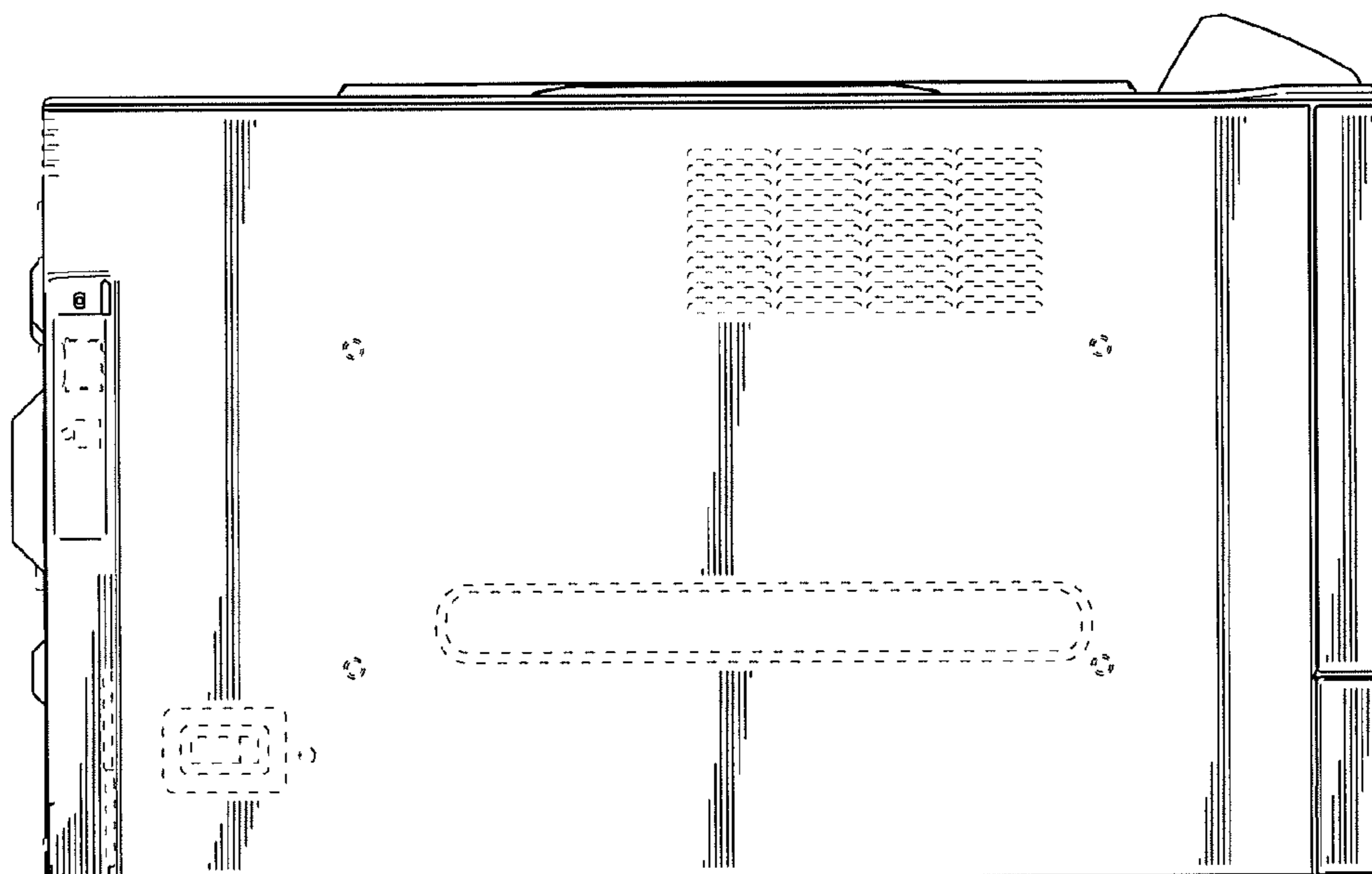


Fig. 6

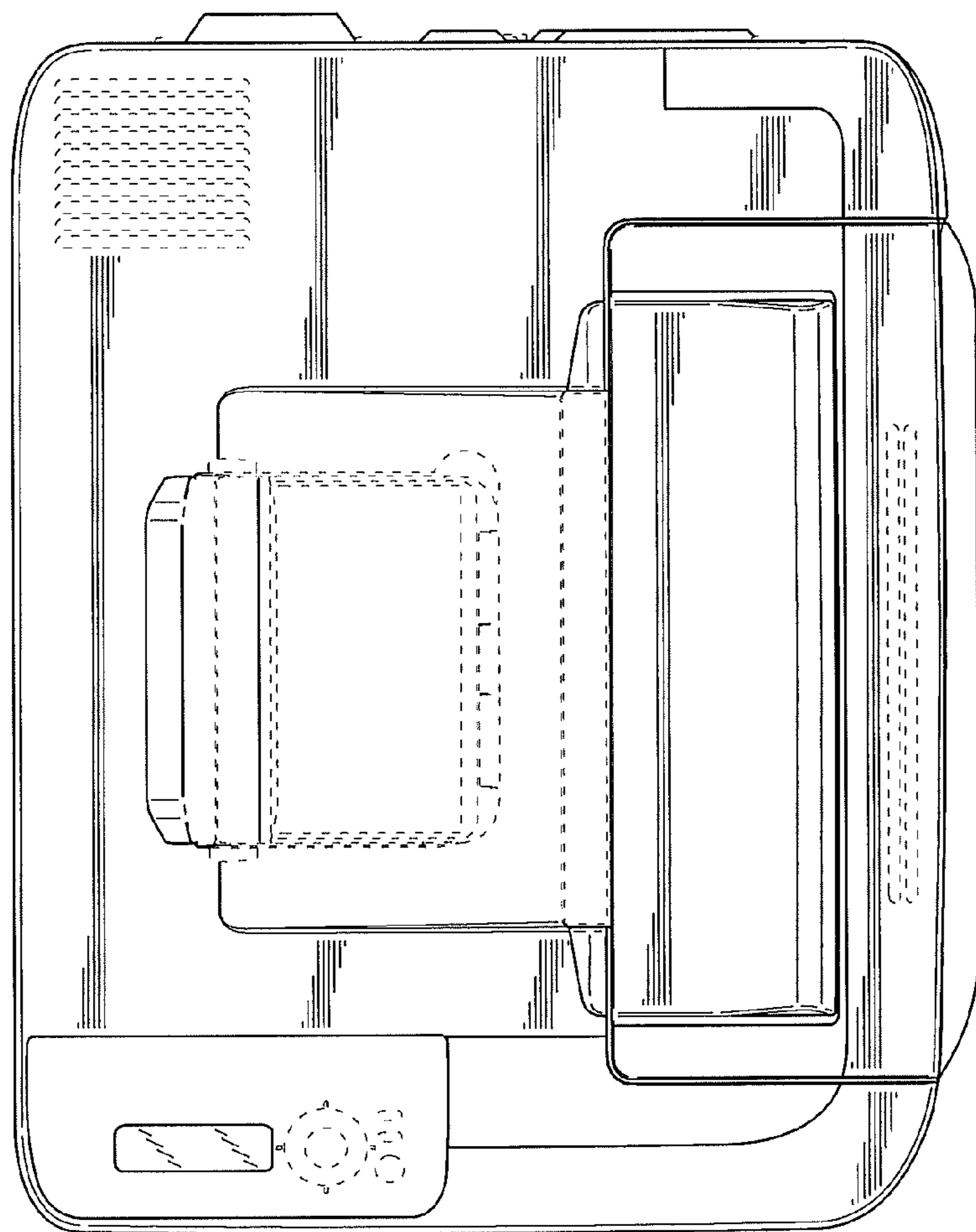


Fig. 7

