



US00D670318S

(12) **United States Design Patent**
Pelini

(10) **Patent No.:** **US D670,318 S**

(45) **Date of Patent:** **** Nov. 6, 2012**

(54) **OIL SEPARATOR**

(76) **Inventor:** **Steven Pelini**, Tampa, FL (US)

(**) **Term:** **14 Years**

(21) **Appl. No.:** **29/424,147**

(22) **Filed:** **Jun. 7, 2012**

(51) **LOC (9) Cl.** **15-99**

(52) **U.S. Cl.** **D15/150**

(58) **Field of Classification Search** D15/150,
D15/151, 152; 141/86, 88, 98, 231, 375,
141/391; 184/106; 206/511; 280/47.23,
280/47.26, 47.35, 659

See application file for complete search history.

(56) **References Cited**

U.S. PATENT DOCUMENTS

D120,860	S	*	6/1940	Folke	D15/150
4,342,376	A	*	8/1982	Lyden	184/103.1
D307,913	S	*	5/1990	Ogasawara et al.	D15/150
5,706,873	A	*	1/1998	Benoit et al.	141/98
D412,713	S	*	8/1999	Hill	D15/150

6,540,801	B2	*	4/2003	Gieseke et al.	55/330
7,081,145	B2	*	7/2006	Gieseke et al.	55/330
7,867,310	B2	*	1/2011	Baten	55/459.1
D633,119	S	*	2/2011	Mackel	D15/147
D654,522	S	*	2/2012	Zhang	D15/152

* cited by examiner

Primary Examiner — Patricia Palasik

(74) *Attorney, Agent, or Firm* — Edward P Dutkiewicz

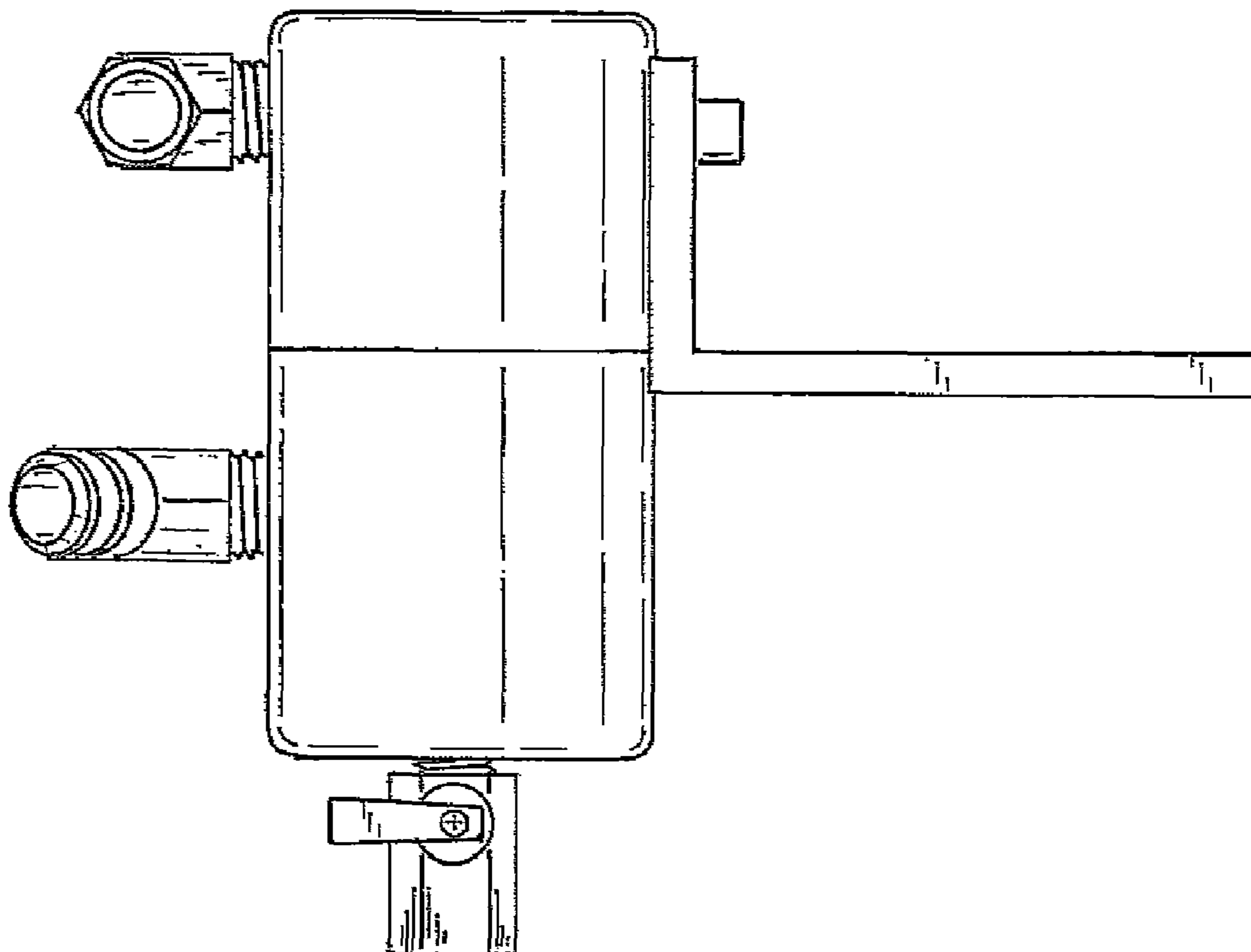
(57) **CLAIM**

The ornamental design for an oil separator, as shown and described.

DESCRIPTION

FIG. 1 is a left side elevational view of the oil separator, showing my new design;
FIG. 2 is a right side elevational view thereof;
FIG. 3 is a front elevational view thereof;
FIG. 4 is a rear elevational view thereof;
FIG. 5 is a top plan view thereof; and,
FIG. 6 is a bottom plan view thereof.

1 Claim, 3 Drawing Sheets



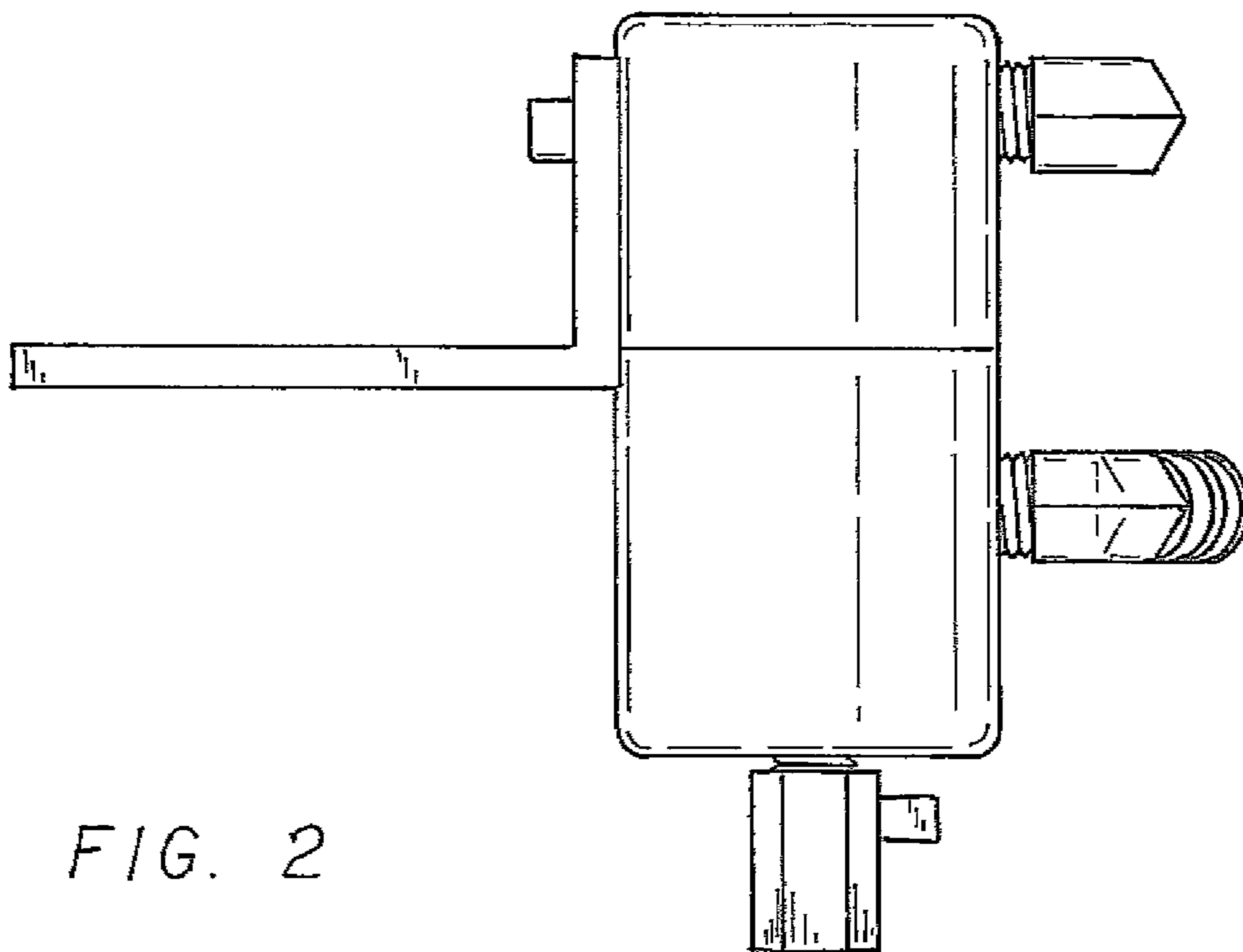
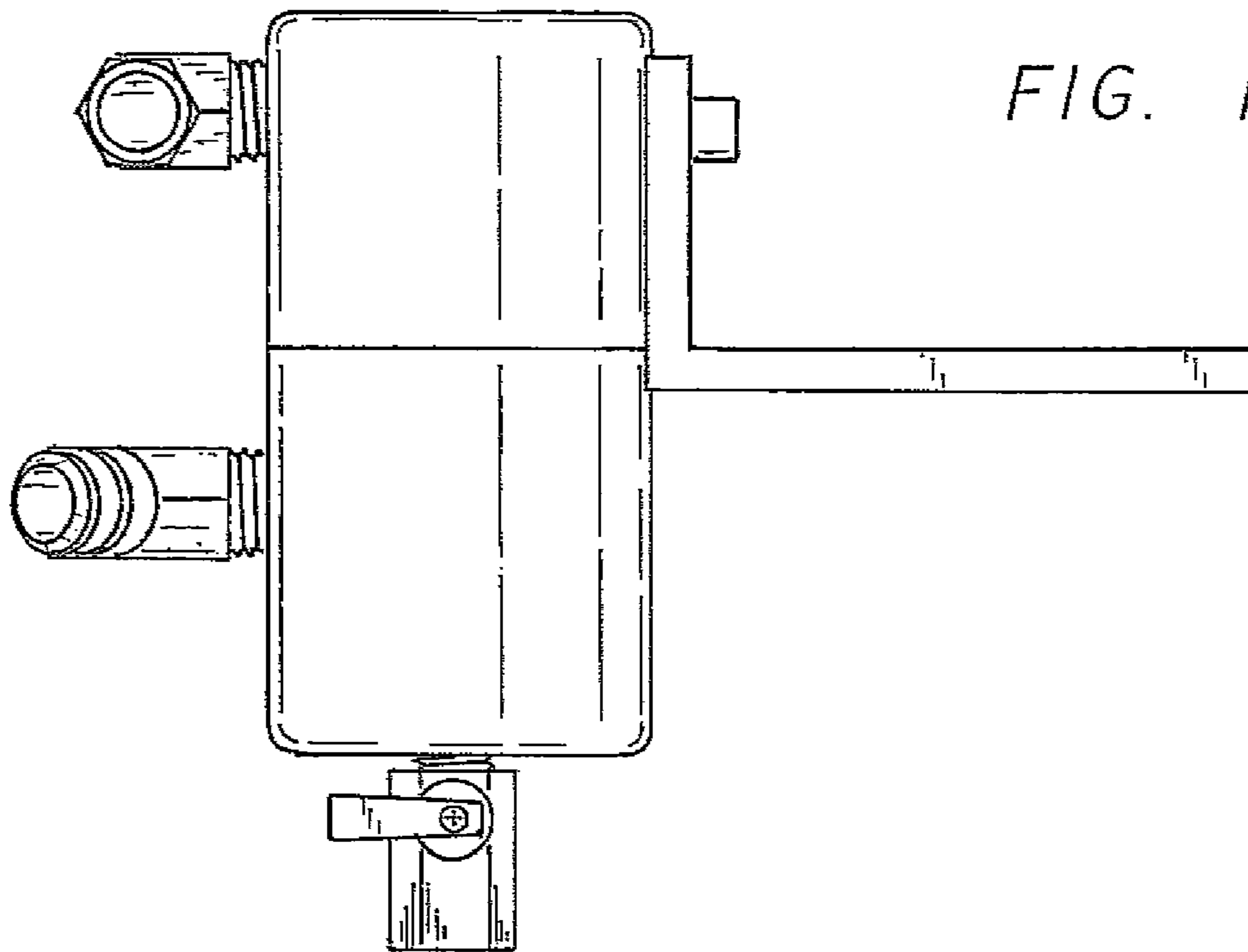


FIG. 3

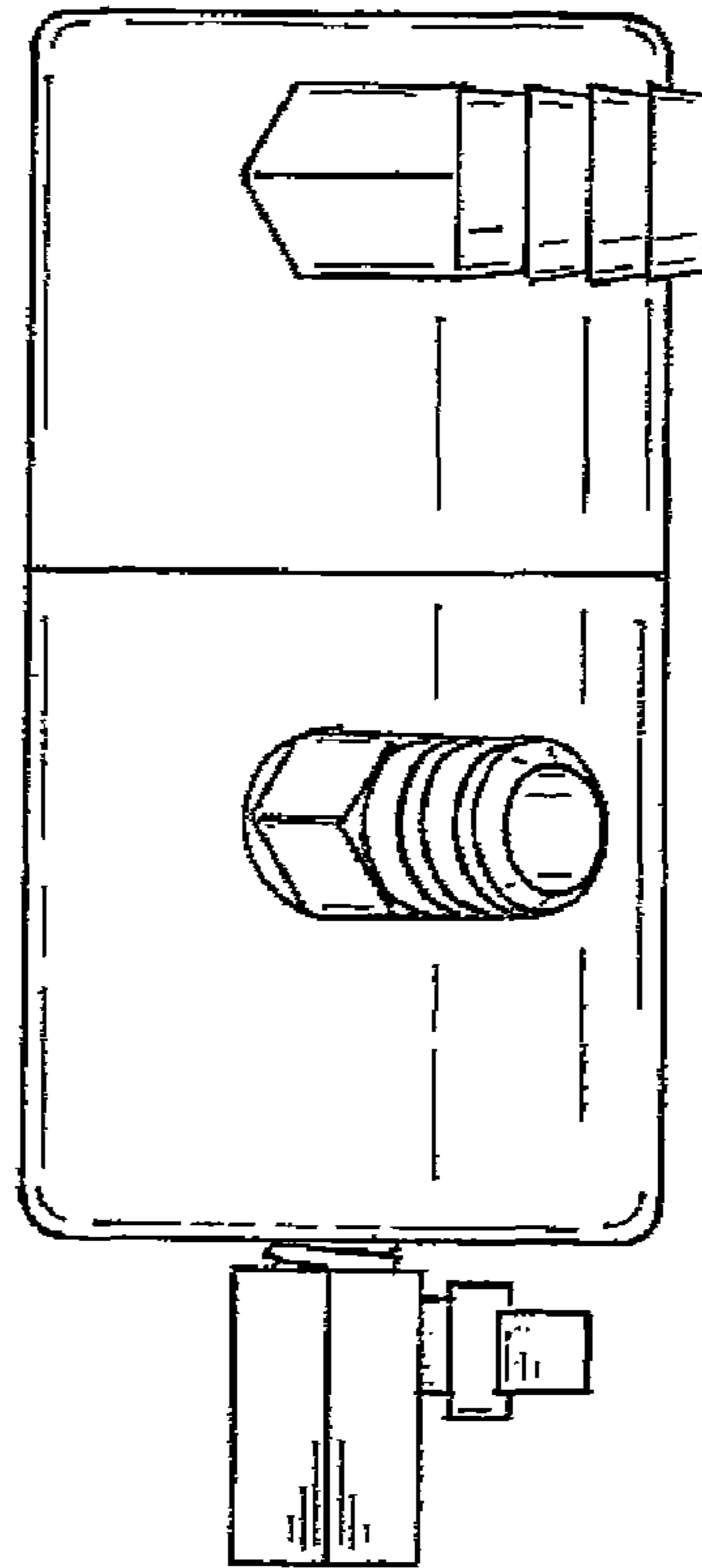


FIG. 4

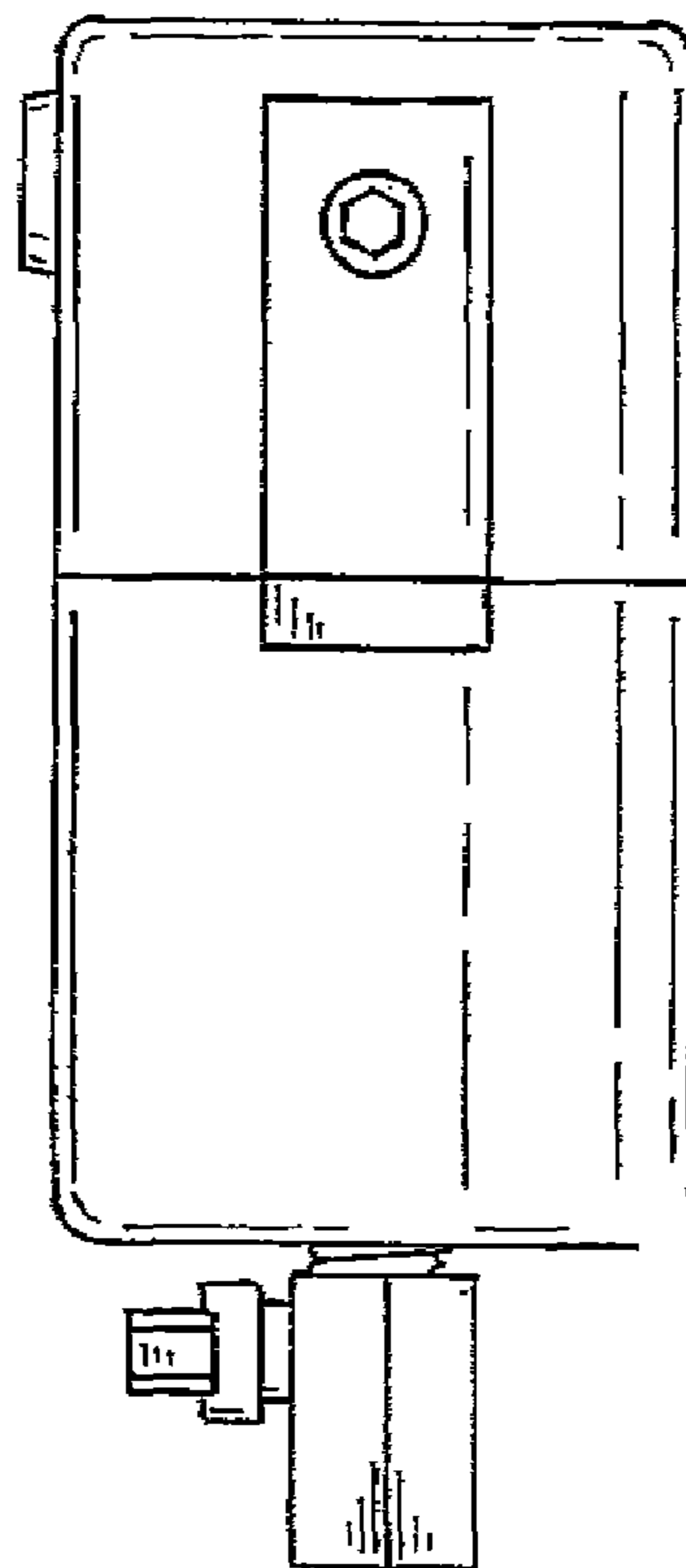


FIG. 5

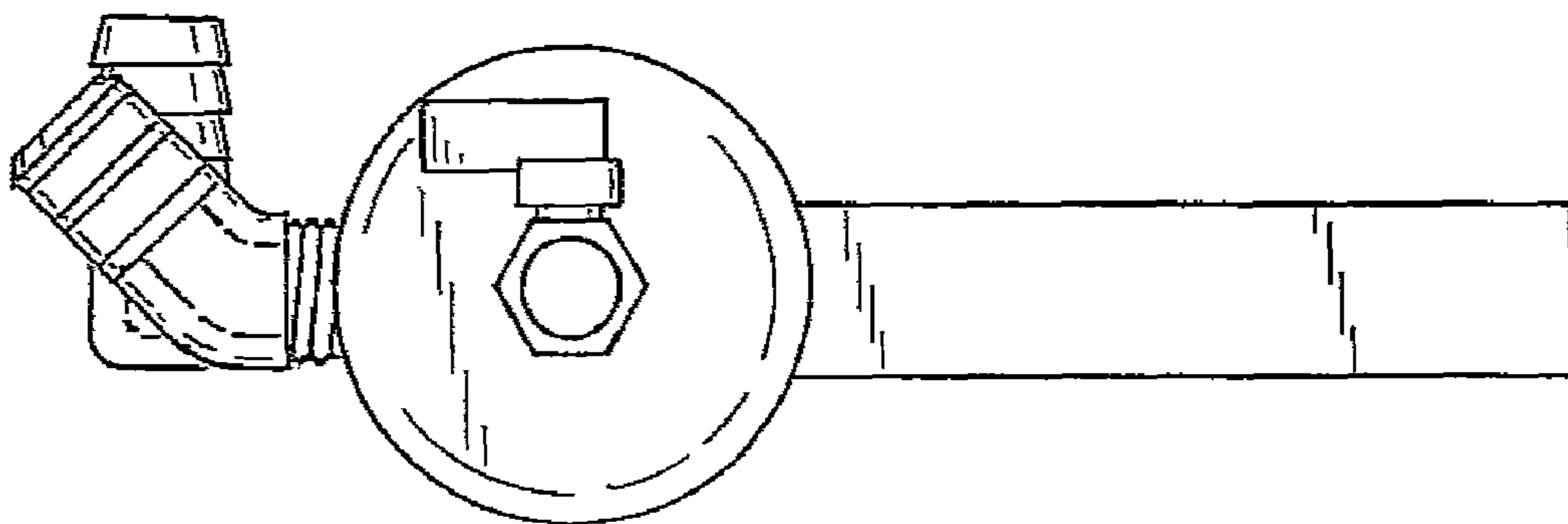
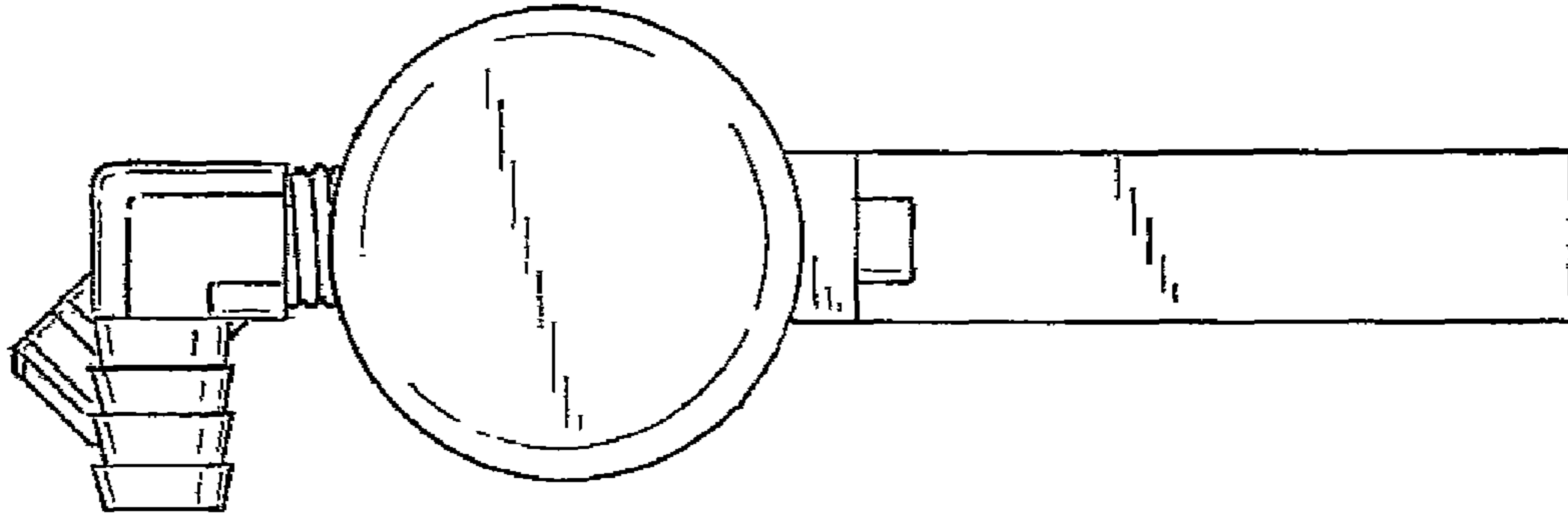


FIG. 6