



US00D670314S

(12) **United States Design Patent**
Galloway et al.

(10) **Patent No.:** **US D670,314 S**

(45) **Date of Patent:** **** Nov. 6, 2012**

(54) **PORTABLE COMPRESSED GAS POWER ASSEMBLY**

(75) Inventors: **Daniel Galloway**, Fort Worth, TX (US);
Darrell Bevelhymmer, Arlington, TX (US)

(73) Assignee: **D2BG, LLC**, Fort Worth, TX (US)

(**) Term: **14 Years**

(21) Appl. No.: **29/375,851**

(22) Filed: **Sep. 28, 2010**

(51) **LOC (9) Cl.** **15-02**

(52) **U.S. Cl.** **D15/9**

(58) **Field of Classification Search** D15/7-9;
D23/231, 232, 225; 417/410.1, 359, 415-416,
417/234, 321, 265, 405

See application file for complete search history.

(56) **References Cited**

U.S. PATENT DOCUMENTS

D60,090 S *	12/1921	Forrest	D15/9
D107,465 S *	12/1937	Tucker	D15/7
2,384,174 A *	9/1945	Jones	222/3
D156,075 S *	11/1949	Collier	D15/7
D185,000 S *	4/1959	Hoover	D15/9
D223,475 S *	4/1972	Elson	D23/205
D258,436 S *	3/1981	McGilberry	D15/7
4,854,822 A *	8/1989	Darroch	417/62
D321,352 S *	11/1991	Vann	D15/7
5,139,278 A *	8/1992	Vlasicak	280/47.26
D332,613 S *	1/1993	Keller	D15/9
D398,614 S *	9/1998	Kartinen	D15/7
D405,805 S *	2/1999	Rock	D15/7
D423,518 S *	4/2000	Milligan et al.	D15/9
D446,792 S *	8/2001	Matthew et al.	D15/9

D447,151 S *	8/2001	Matthew et al.	D15/9
D488,169 S *	4/2004	Hopper	D15/9
D559,865 S *	1/2008	Wise	D15/7
7,415,988 B2 *	8/2008	Trettin et al.	137/355.16

* cited by examiner

Primary Examiner — Ralf Seifert

(74) *Attorney, Agent, or Firm* — Fulbright & Jaworski L.L.P.

(57) **CLAIM**

The ornamental design for a portable compressed gas power assembly, as shown and described.

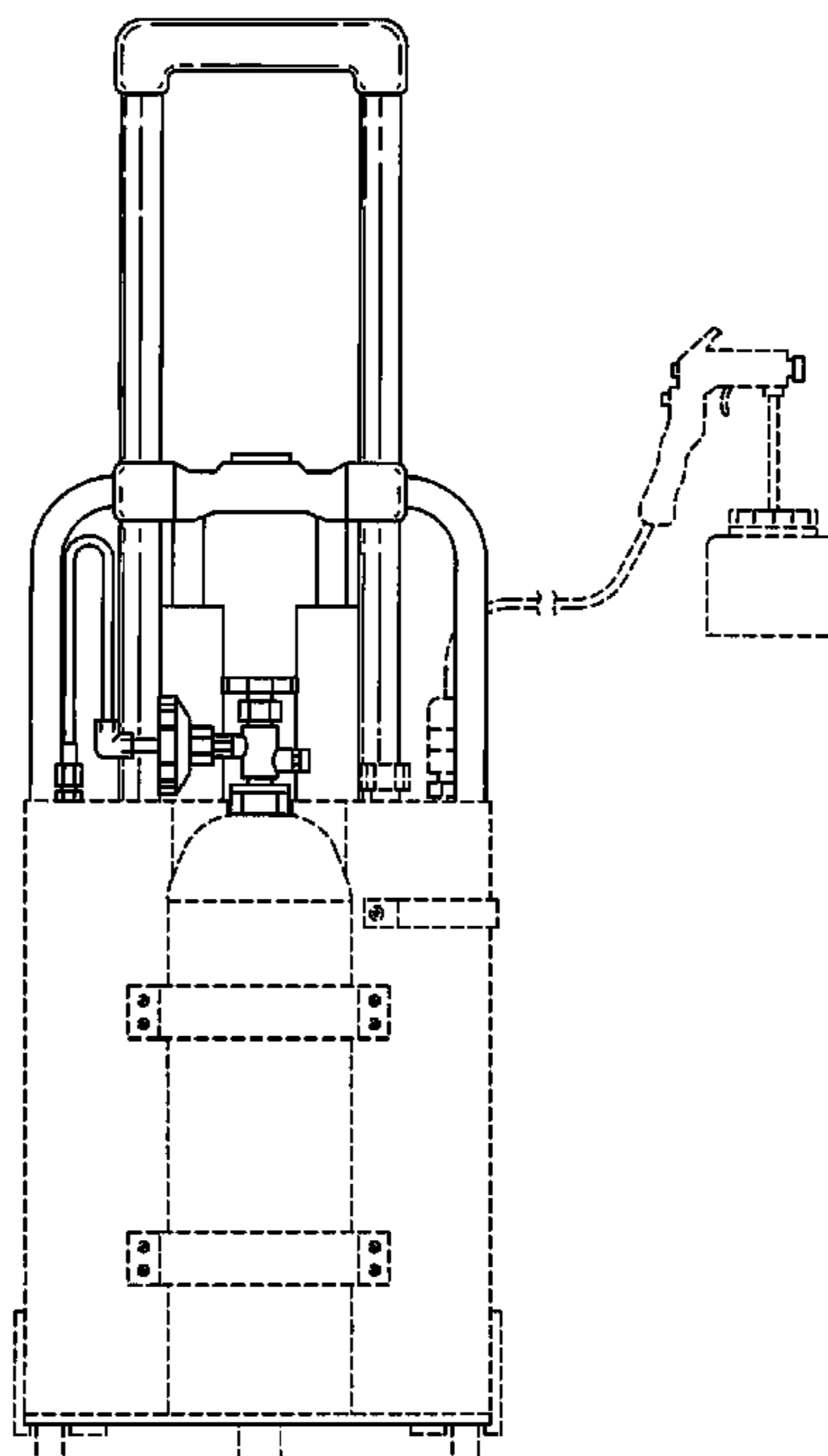
DESCRIPTION

Exemplary applications of such a Portable Compressed Gas Power Assembly are further described in co-pending and commonly-assigned U.S. patent application Ser. No. 12/395,369 titled “Compressed Gas-Driven Device With Passive Thermodynamic Composition” and in co-pending and commonly-assigned U.S. patent application Ser. No. 12/420,531 titled “Compressed Gas-Driven Device With Passive Thermodynamic Composition,” the disclosures of which are hereby incorporated herein by reference.

FIG. 1 is a front elevation view of a portable compressed gas power assembly showing our new design; FIG. 2 is an elevation view from the back; FIG. 3 is an elevation view from the left side; FIG. 4 is an elevation view from the right; FIG. 5 is an elevation view from the top; and, FIG. 6 is an elevation view from the bottom.

The broken line showing of the compressed gas storage tank, the carrier mechanism, and various other elements are for illustrative purposes only and form no part of the claimed design.

1 Claim, 5 Drawing Sheets



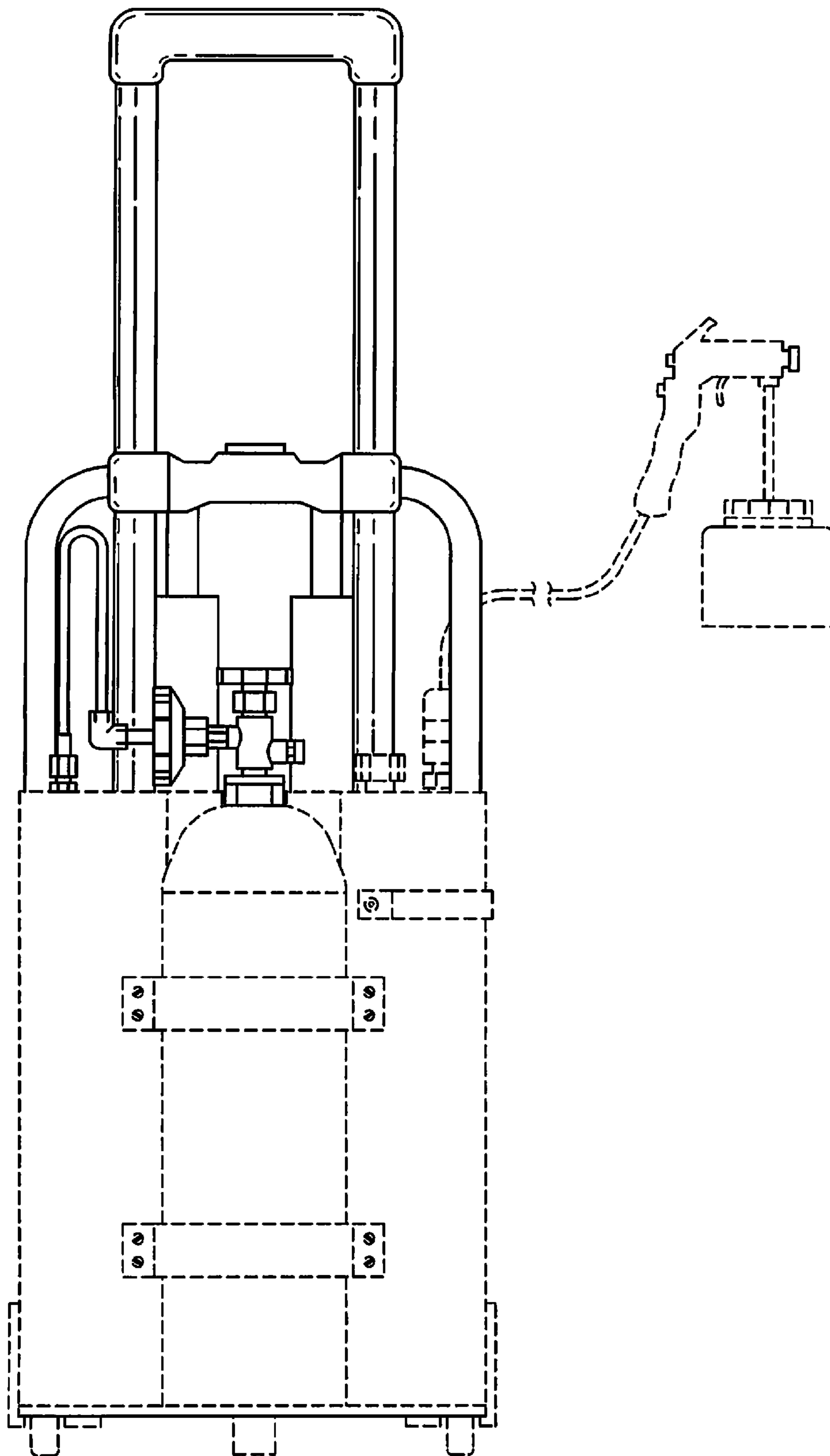


FIG. 1

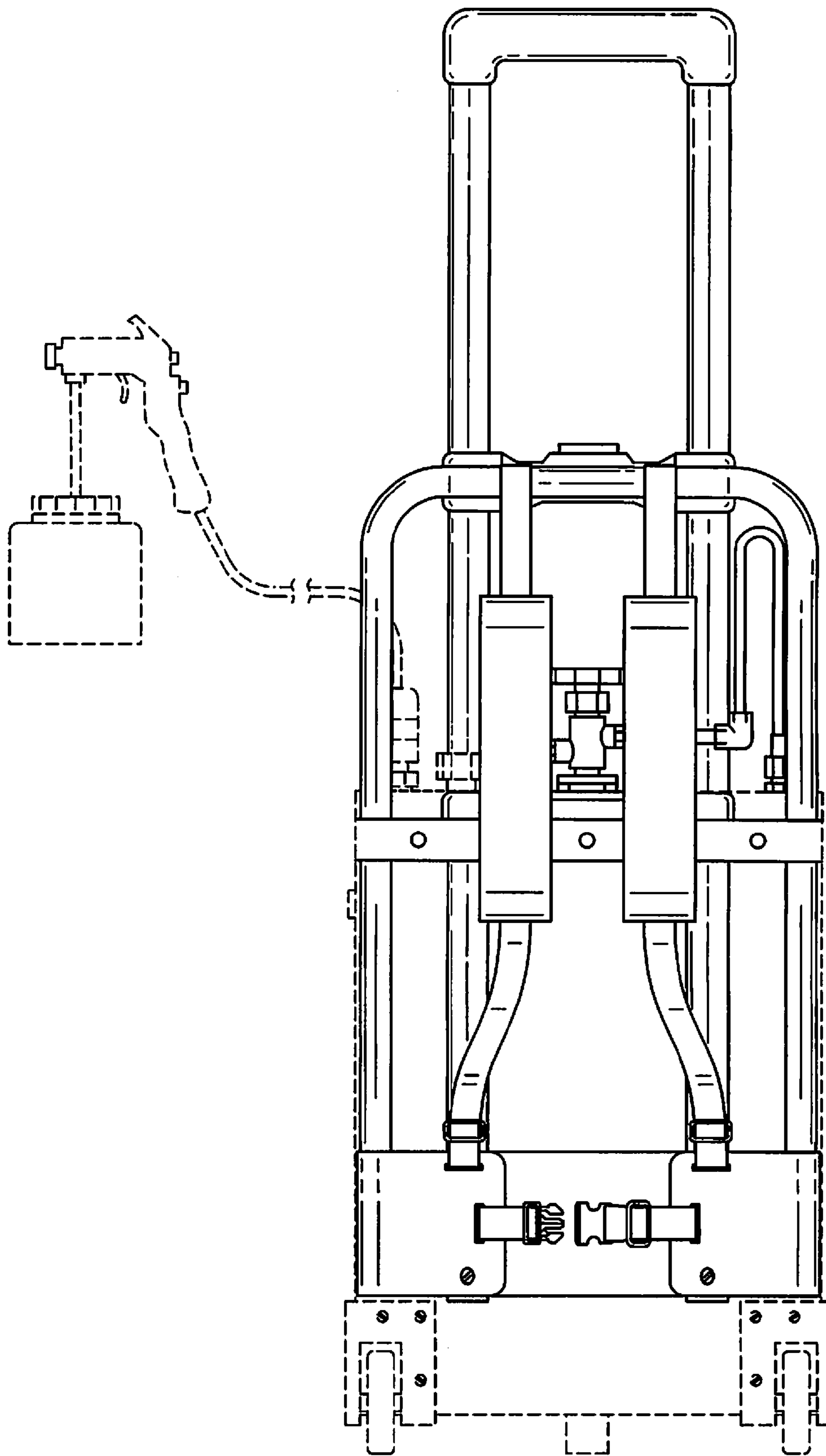


FIG. 2

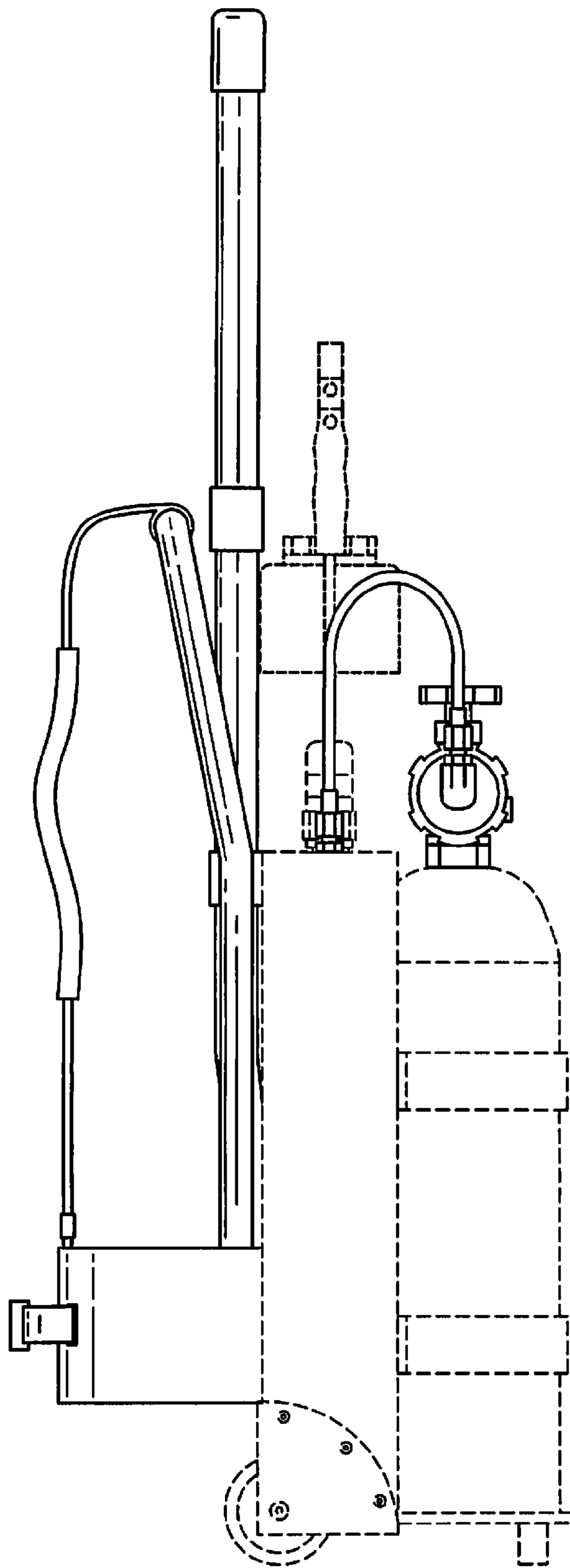


FIG. 3

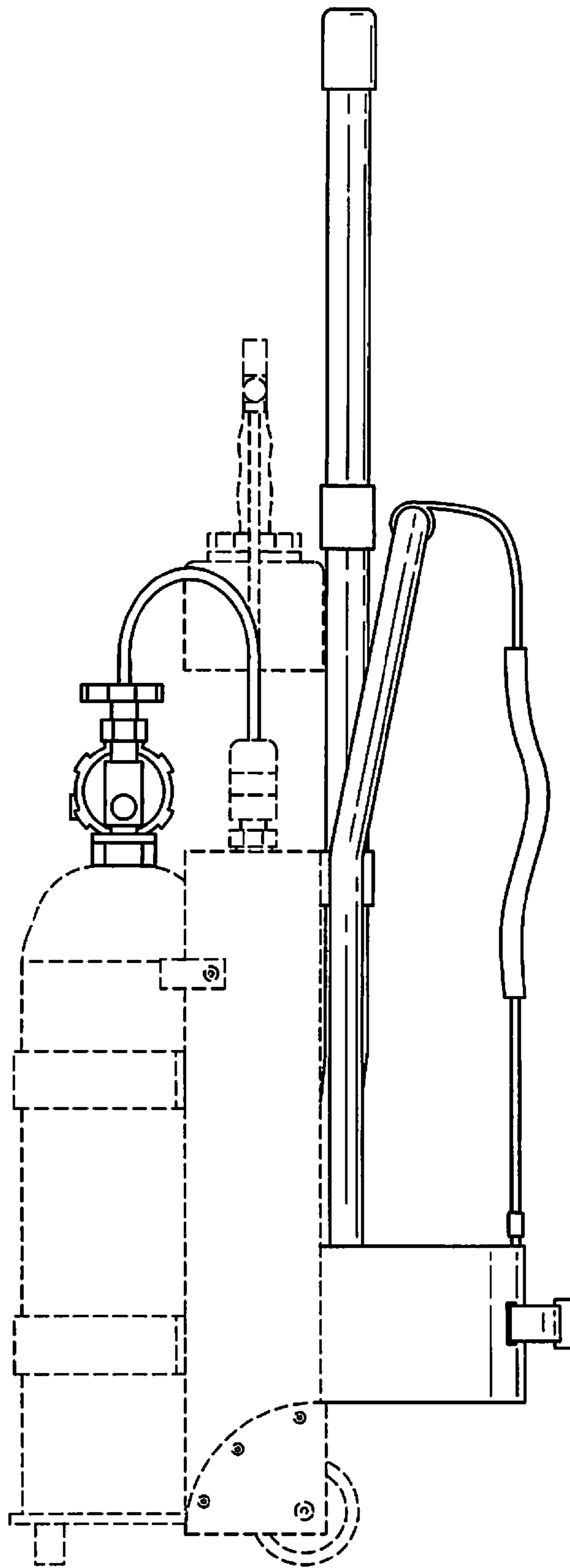


FIG. 4

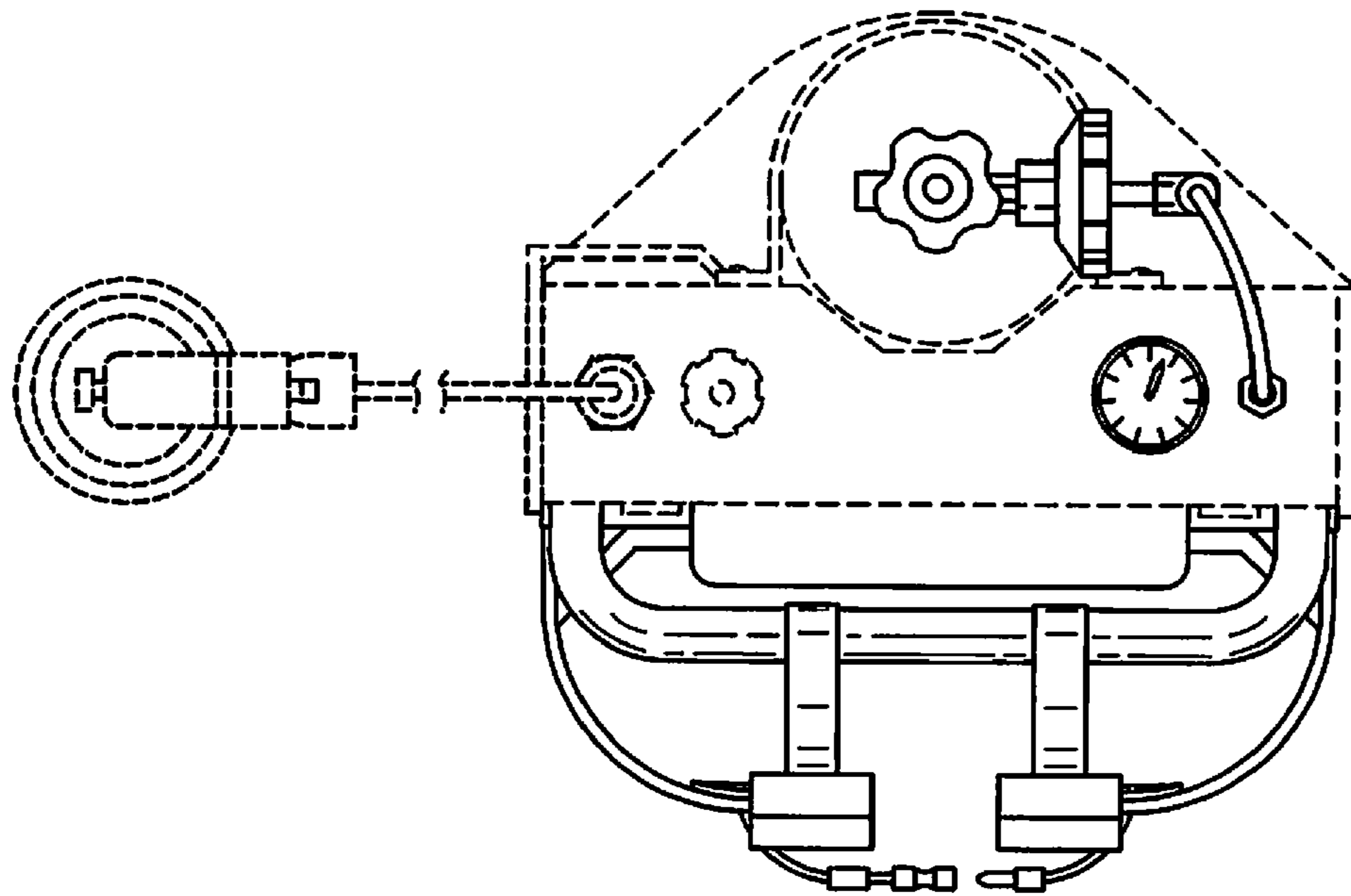


FIG. 5

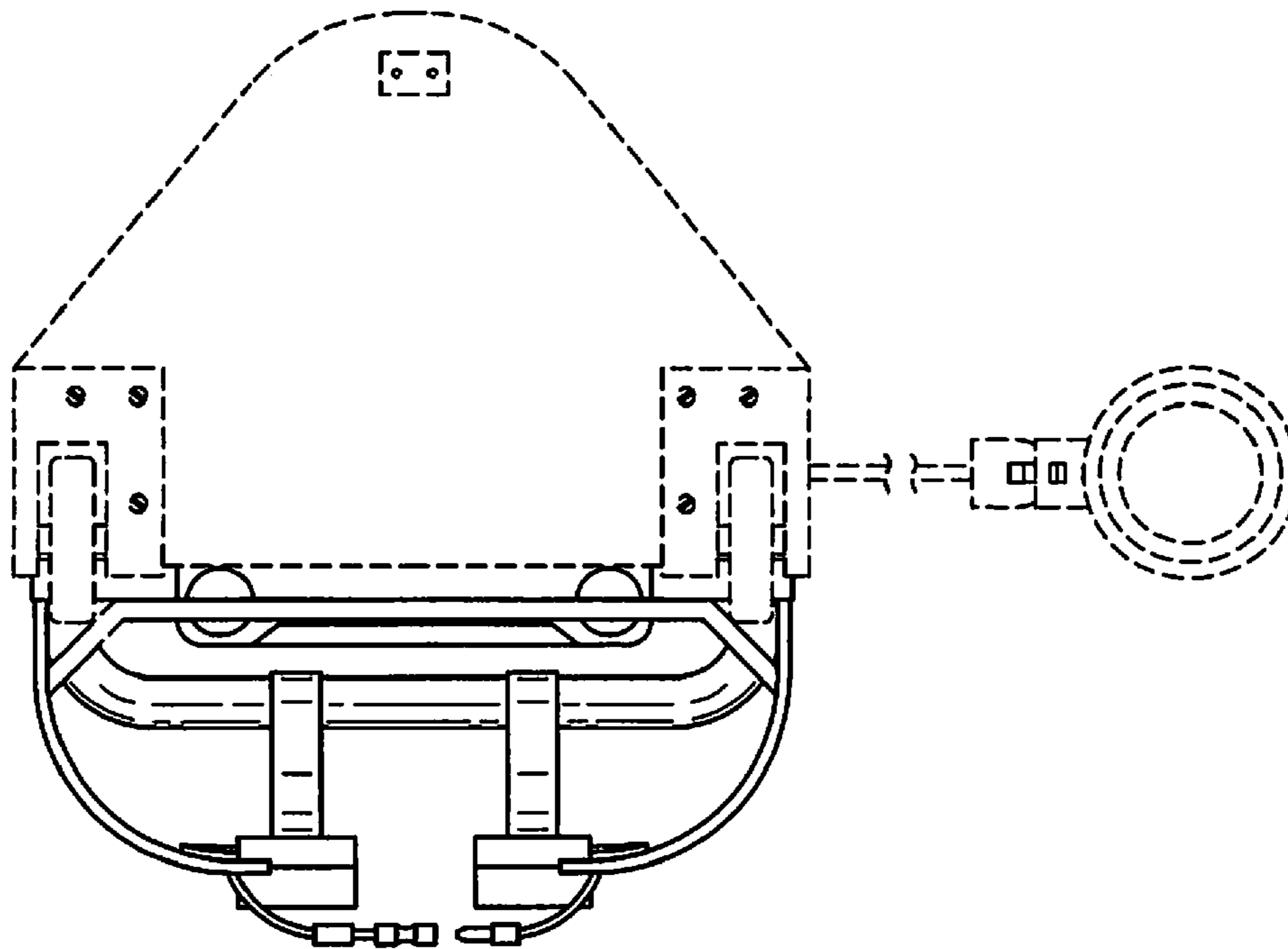


FIG. 6