



US00D670313S

(12) **United States Design Patent**
Ohm et al.

(10) **Patent No.:** **US D670,313 S**
(45) **Date of Patent:** **** Nov. 6, 2012**

(54) **PORTABLE TIRE INFLATOR**

(75) Inventors: **Patrick L. Ohm**, Mesa, AZ (US); **C. Kwai Kong**, Gilroy, CA (US); **Alan Okamura**, Santa Cruz, CA (US); **Todd Donaldson**, Nashville, TN (US)

(73) Assignee: **Bell Automotive Products, Inc.**, Scottsdale, AZ (US)

(**) Term: **14 Years**

(21) Appl. No.: **29/413,360**

(22) Filed: **Feb. 14, 2012**

(51) **LOC (9) Cl.** **15-02**

(52) **U.S. Cl.** **D15/7**

(58) **Field of Classification Search** D15/7-9;
417/60, 235, 265, 321, 355, 358, 363, 359,
417/410.1, 415-416, 405, 900; D23/231,
D23/232, 225

See application file for complete search history.

(56) **References Cited**

U.S. PATENT DOCUMENTS

D394,440 S * 5/1998 Chen D15/9
D492,326 S * 6/2004 Hsiao D15/9

D499,426 S * 12/2004 Chou D15/7
D507,581 S * 7/2005 Wong D15/9
D644,252 S * 8/2011 Kojima D15/9
D656,962 S * 4/2012 Boldsen D15/7

* cited by examiner

Primary Examiner — Ralf Seifert

(74) *Attorney, Agent, or Firm* — Booth Udall, PLC

(57) **CLAIM**

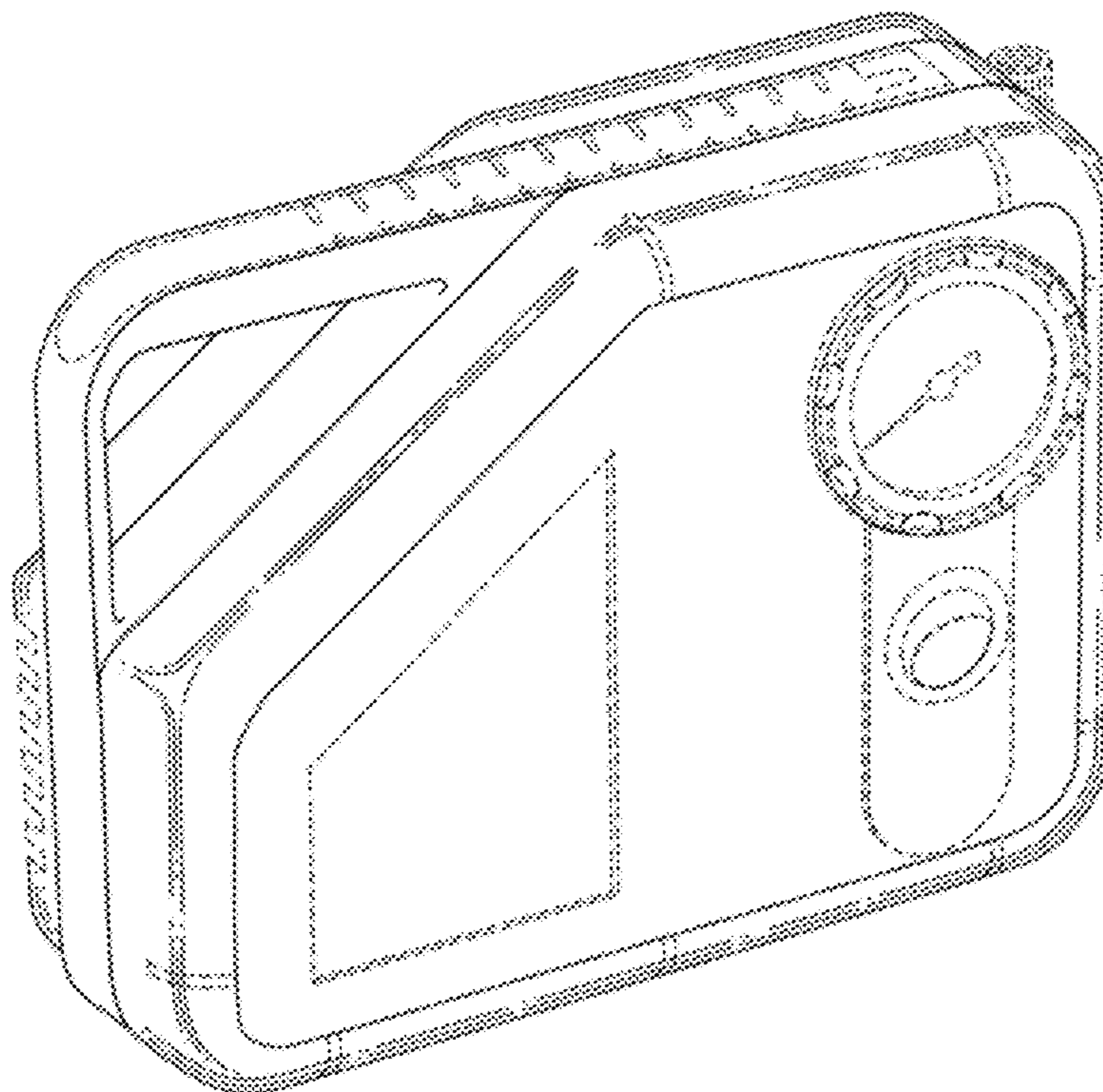
The ornamental design for a portable tire inflator, as shown and described.

DESCRIPTION

FIG. 1 is a perspective view of a portable tire inflator;
FIG. 2 is a front view thereof;
FIG. 3 is a left side view thereof;
FIG. 4 is a right side view thereof;
FIG. 5 is a top view thereof;
FIG. 6 is a bottom view thereof; and,
FIG. 7 is a rear view thereof.

The broken lines are included for the purpose of illustrating environmental features and form no part of the claimed design.

1 Claim, 5 Drawing Sheets



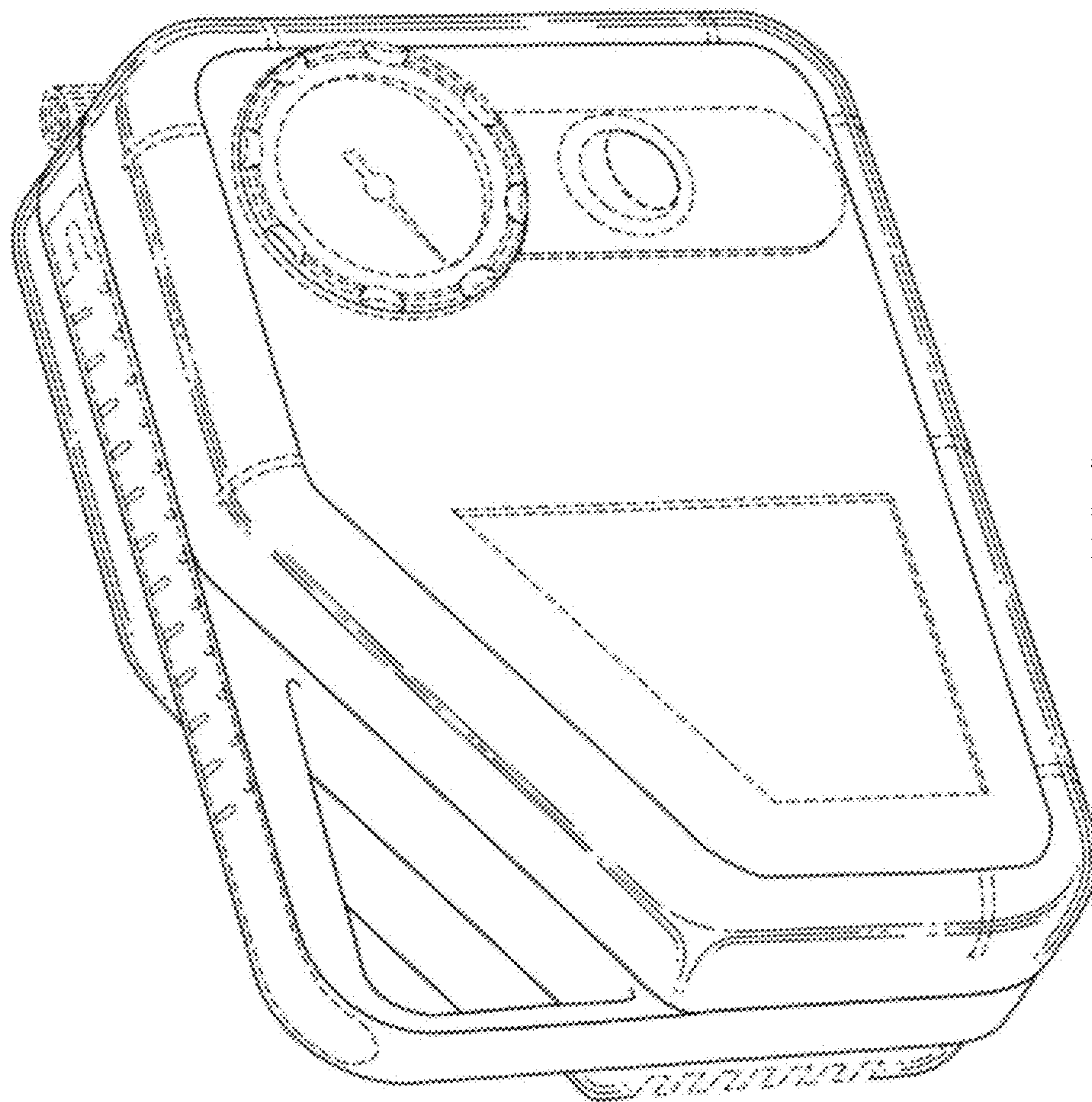


FIG. 1

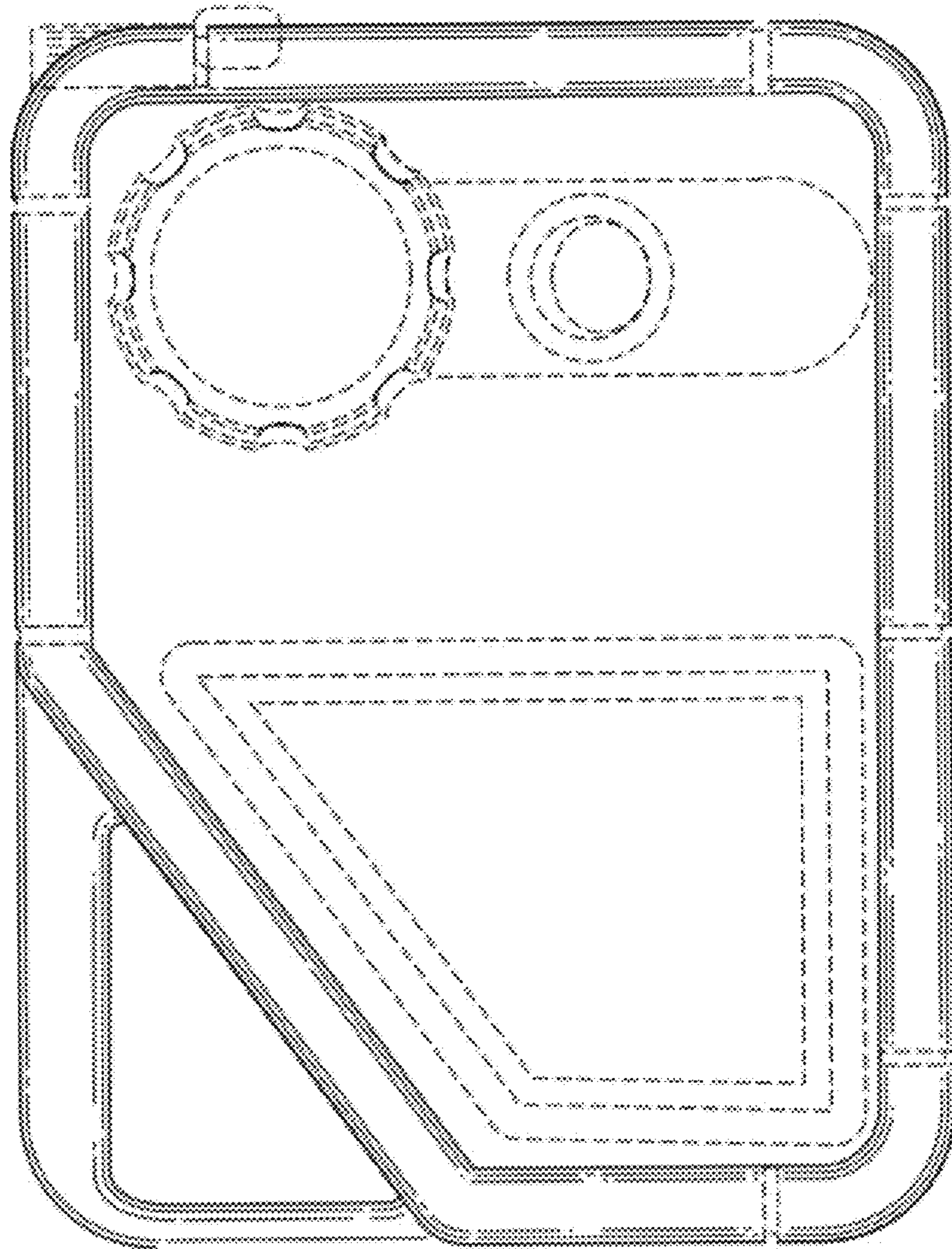


Fig. 2

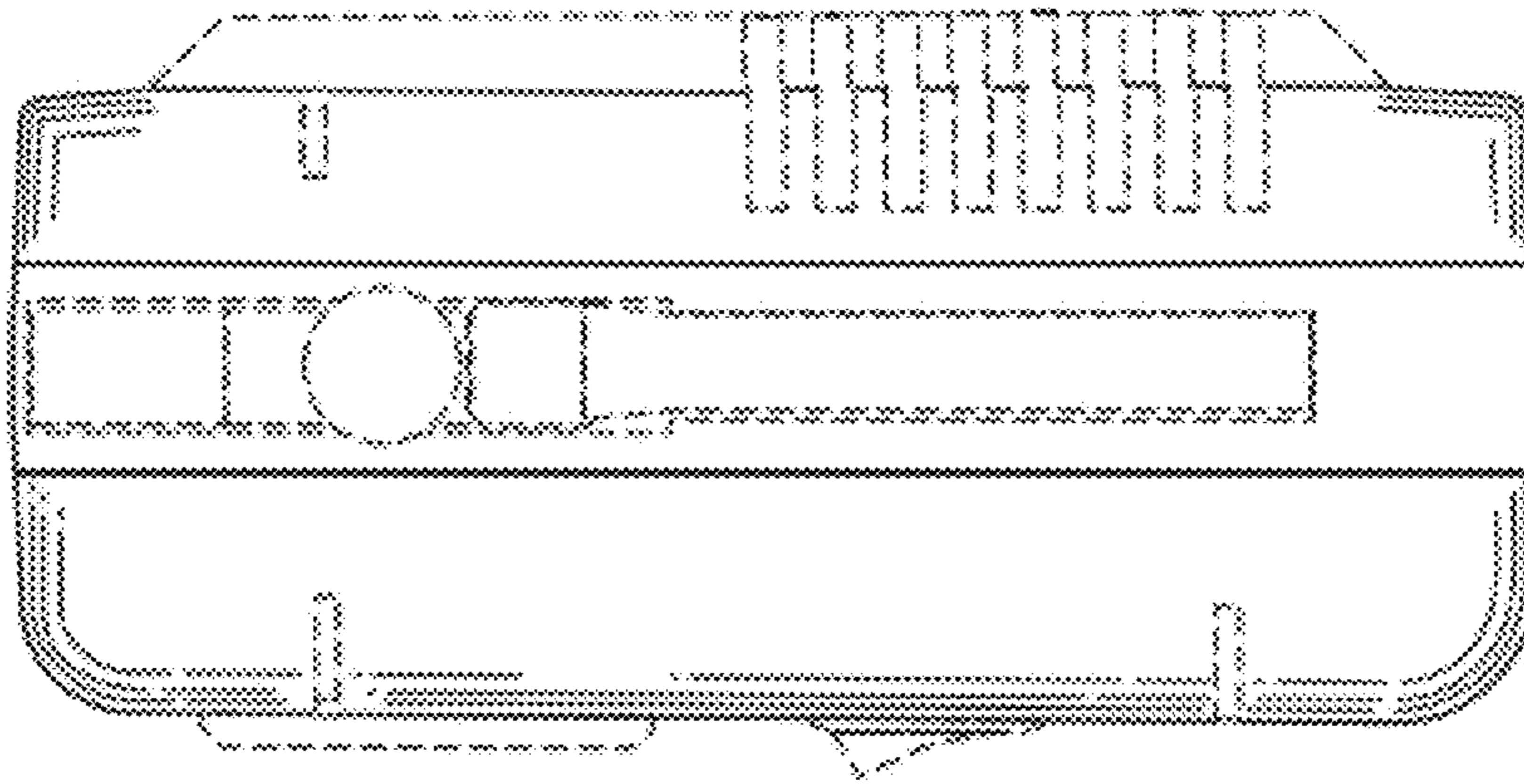


Fig. 4

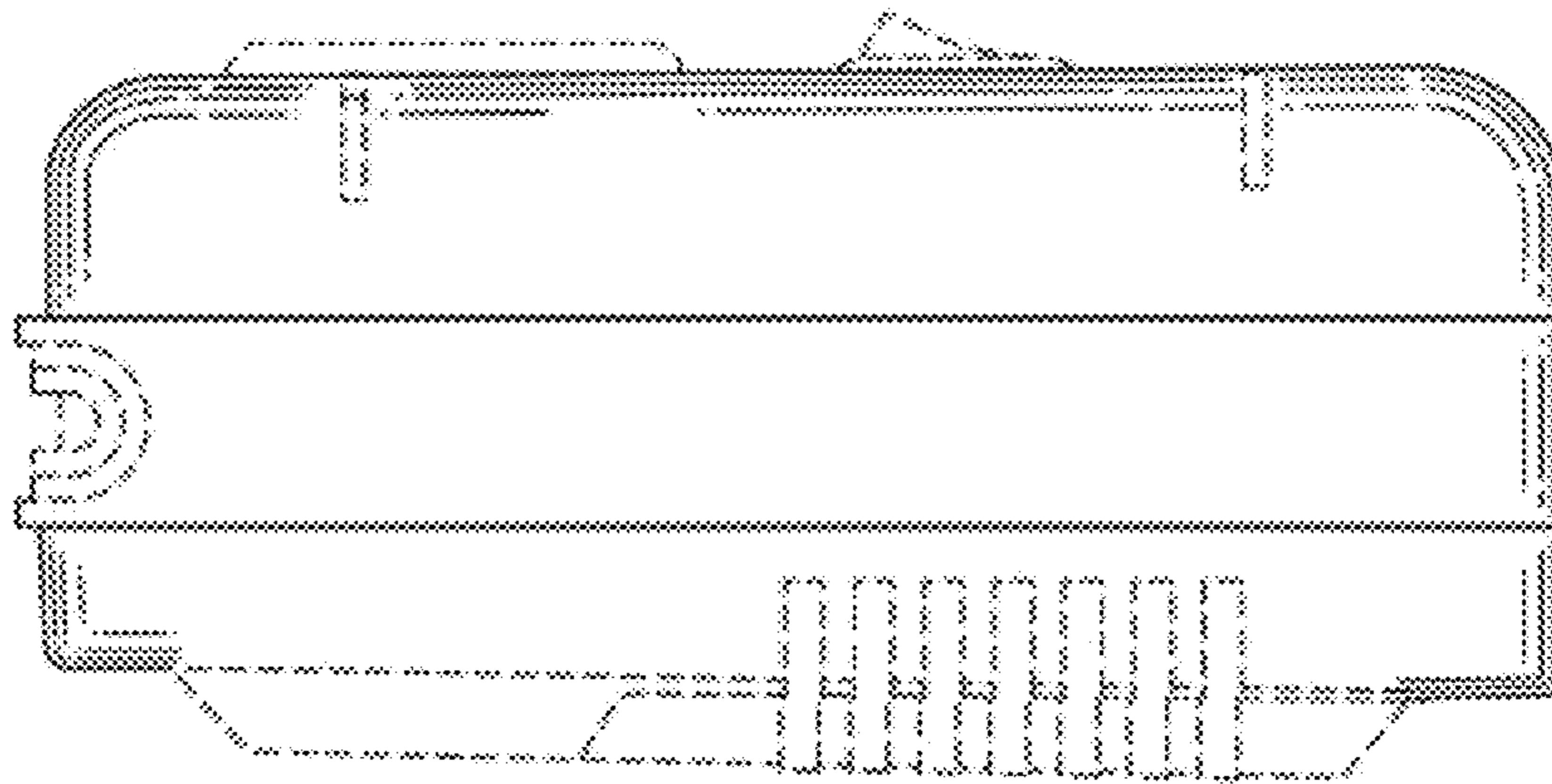


Fig. 3

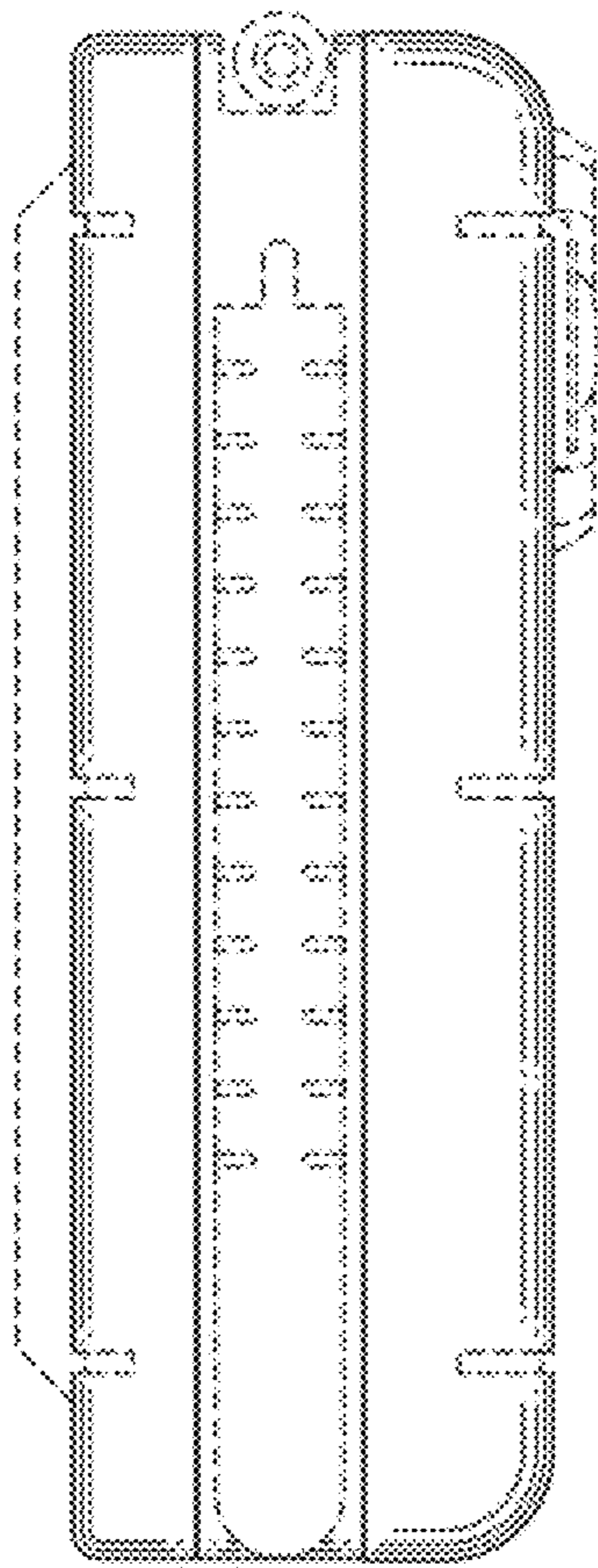


Fig. 5

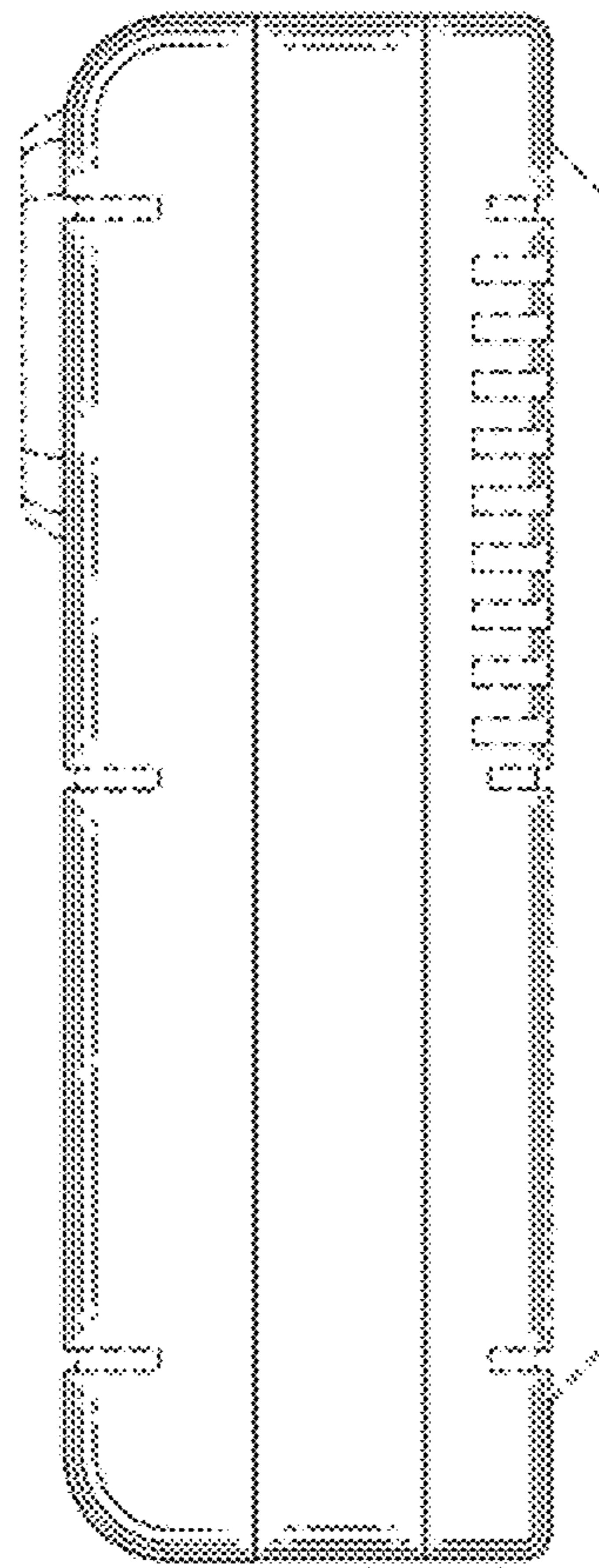


Fig. 6

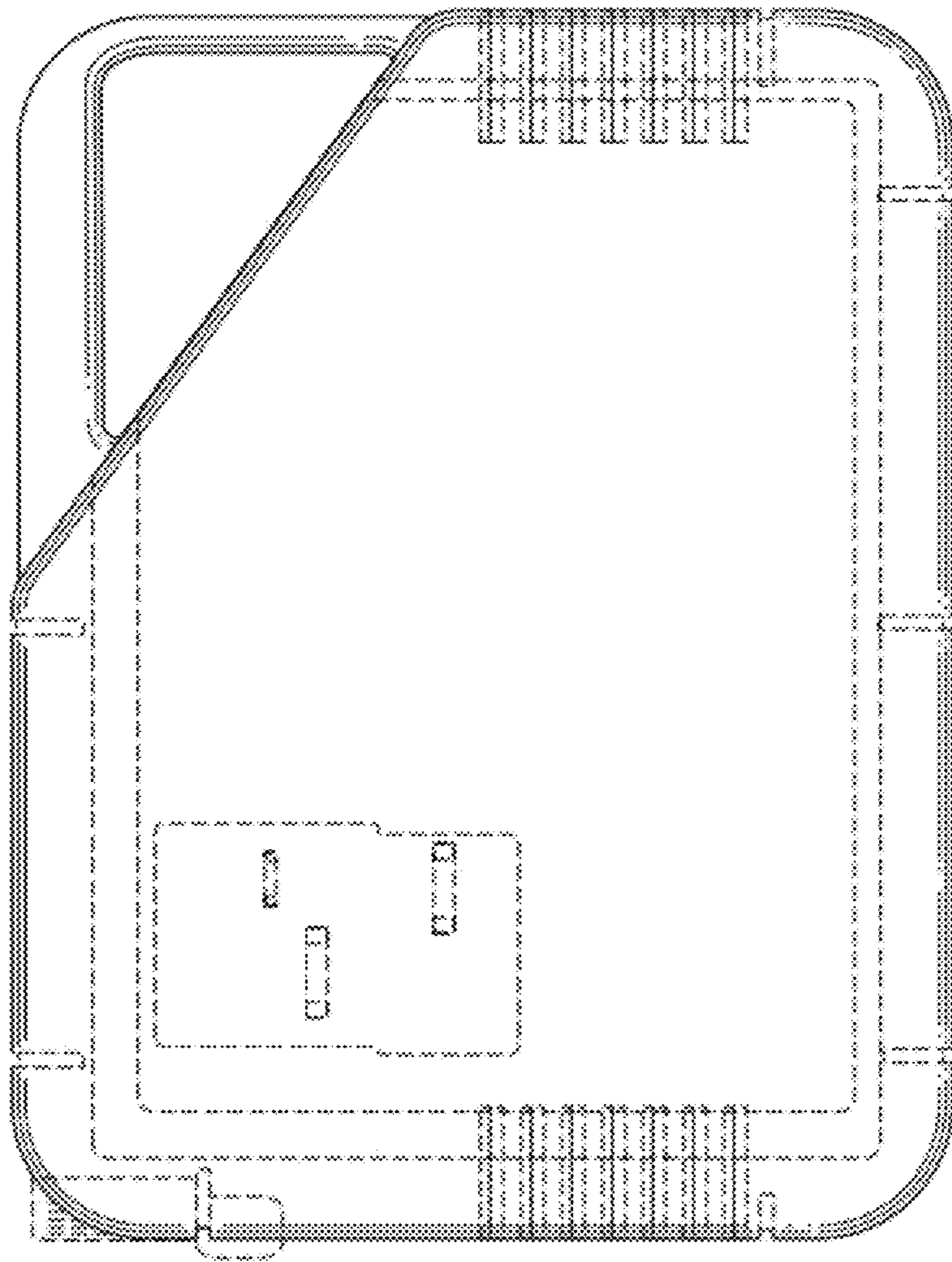


Fig. 7