



US00D670312S

(12) **United States Design Patent**
Alexander et al.

(10) **Patent No.:** **US D670,312 S**
(45) **Date of Patent:** **** Nov. 6, 2012**

(54) **PUMP**

(75) Inventors: **Gus Alexander**, Inverness, IL (US);
James E. Welch, Jr., Bentonville, AR
(US); **Wang Xu Dong**, Shenyang (CN)

(73) Assignee: **FNA IP Holdings, Inc.**, Elk Grove
Village, IL (US)

(**) Term: **14 Years**

(21) Appl. No.: **29/407,459**

(22) Filed: **Nov. 29, 2011**

(51) **LOC (9) Cl.** **15-02**

(52) **U.S. Cl.** **D15/7**

(58) **Field of Classification Search** D15/7-9;
D23/231, 232, 225; 417/60, 235, 265, 321,
417/355, 358, 363, 359, 410.1, 415-416,
417/405, 900; 60/408, 412; 184/26-37;
415/140-147; 123/495, 509

See application file for complete search history.

(56) **References Cited**

U.S. PATENT DOCUMENTS

D538,824 S *	3/2007	Tojo	D15/7
D553,157 S *	10/2007	Busschaert	D15/7
D616,467 S *	5/2010	Reverberi et al.	D15/5
D617,814 S *	6/2010	Dreifert	D15/7
D633,101 S *	2/2011	Magri	D15/7
D633,102 S *	2/2011	Magri	D15/7
D633,103 S *	2/2011	Magri	D15/7
D633,104 S *	2/2011	Magri	D15/7

D633,105 S *	2/2011	Magri	D15/7
D633,406 S *	3/2011	Magri	D15/7
D642,594 S *	8/2011	Mattson et al.	D15/7
D644,252 S *	8/2011	Kojima	D15/9
D648,353 S *	11/2011	Mattson et al.	D15/7
D652,844 S *	1/2012	Hanitsch et al.	D15/7
D654,095 S *	2/2012	Mattson et al.	D15/7
D656,962 S *	4/2012	Boldsen	D15/7

* cited by examiner

Primary Examiner — Ralf Seifert

(74) *Attorney, Agent, or Firm* — Holland & Knight LLP

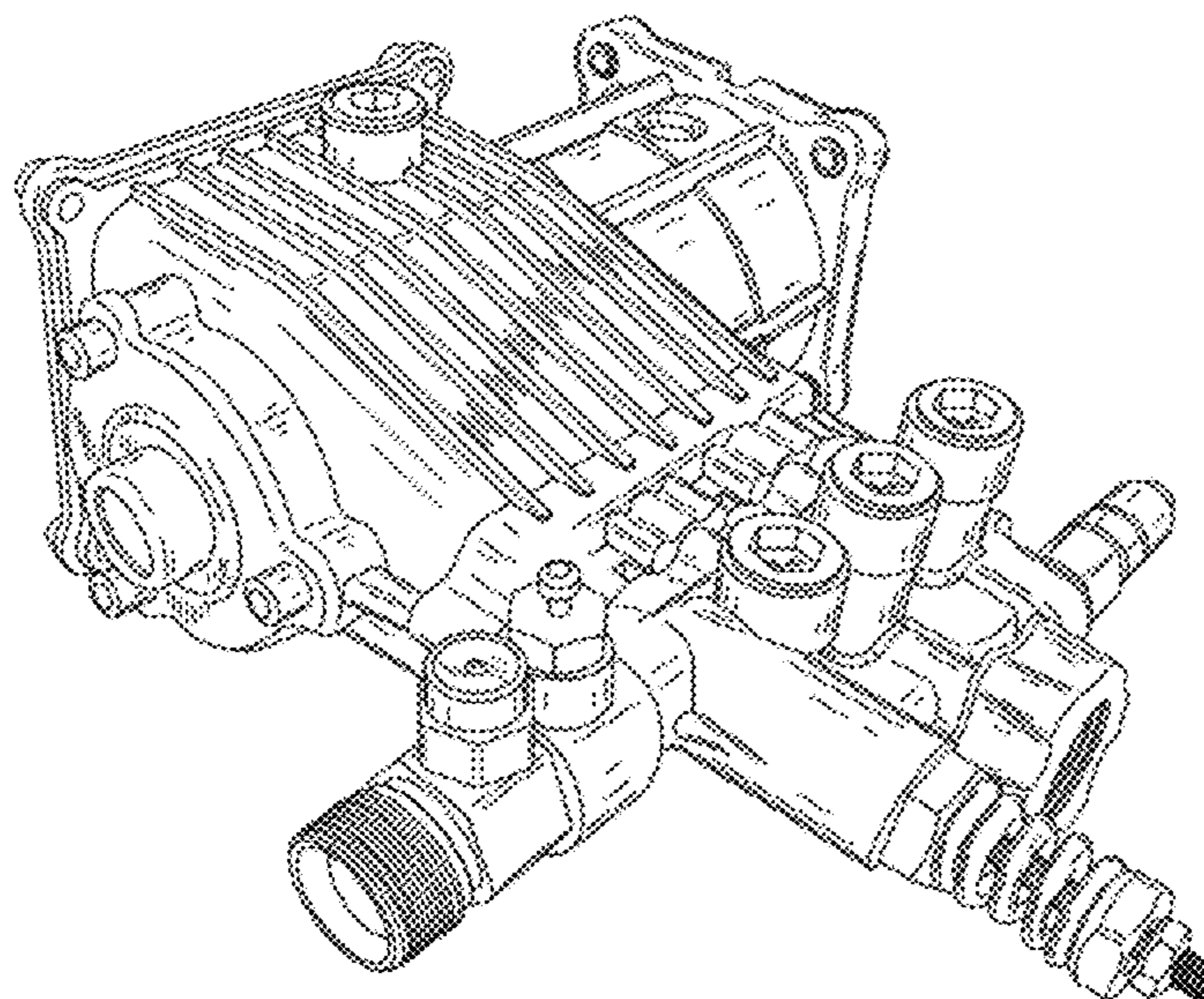
(57) **CLAIM**

The ornamental design for a pump, as shown and described.

DESCRIPTION

FIG. 1 is a perspective view of a pump as viewed from the front left side;
 FIG. 2 is a perspective view of a pump as viewed from the front right side;
 FIG. 3 is a perspective view of a pump as viewed from the rear right side;
 FIG. 4 is a perspective view of a pump as viewed from the rear left side
 FIG. 5 is a front elevation view thereof;
 FIG. 6 is a rear elevation view thereof;
 FIG. 7 is a right side elevation view thereof;
 FIG. 8 is a left side elevation view thereof;
 FIG. 9 is a top plan view thereof; and,
 FIG. 10 is a bottom plan view thereof.

1 Claim, 8 Drawing Sheets



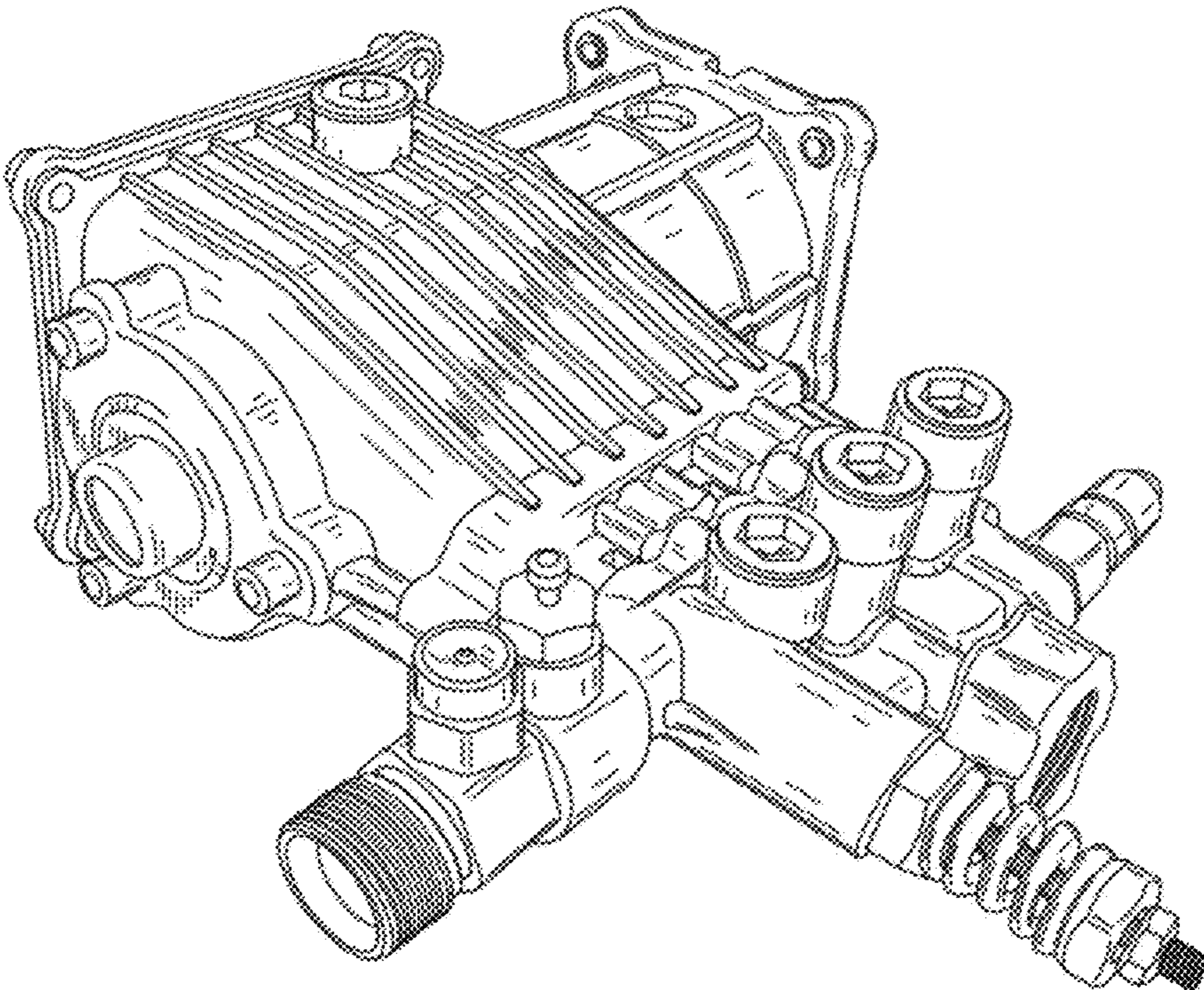


FIG. 1

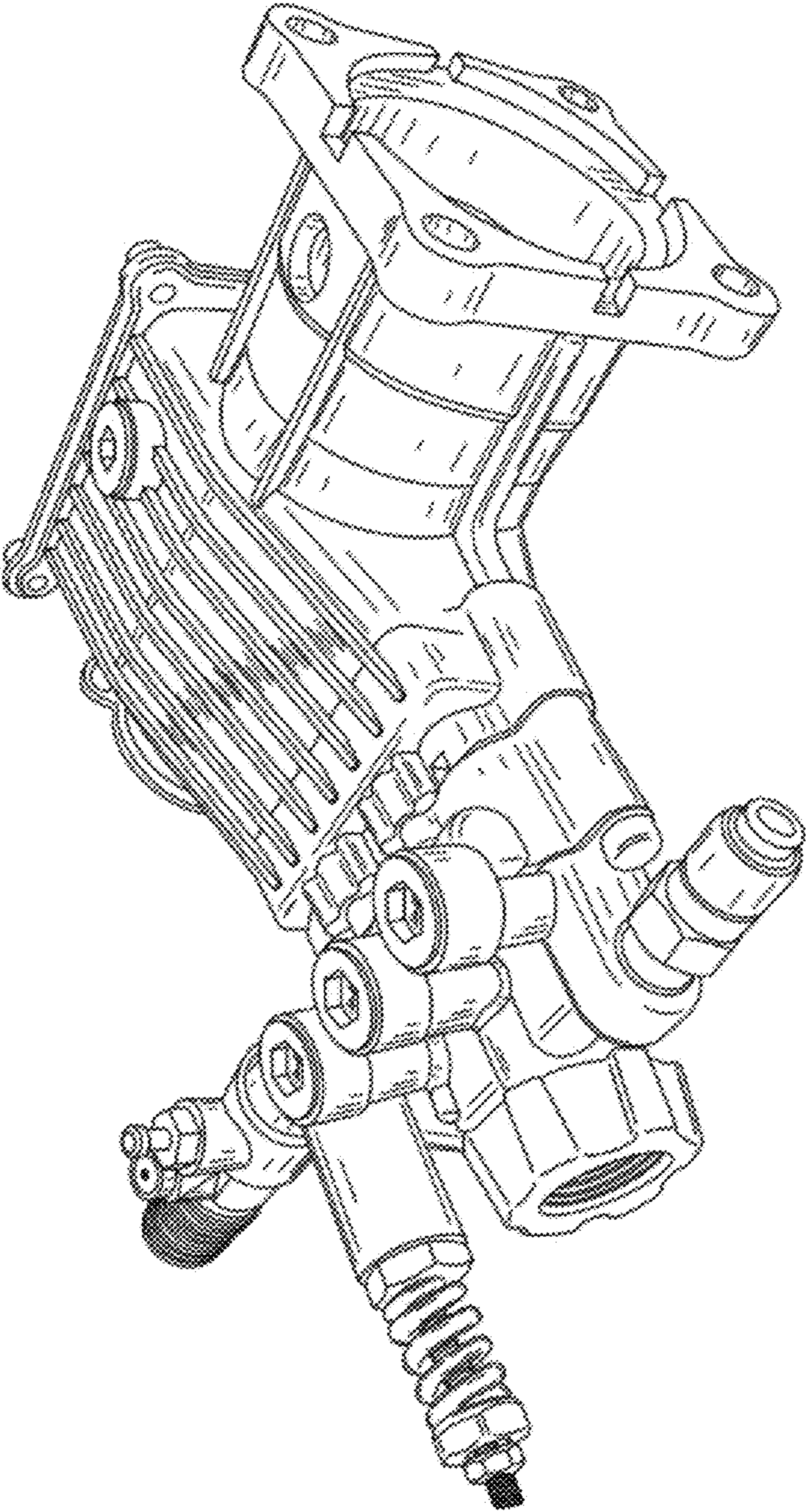


FIG. 2

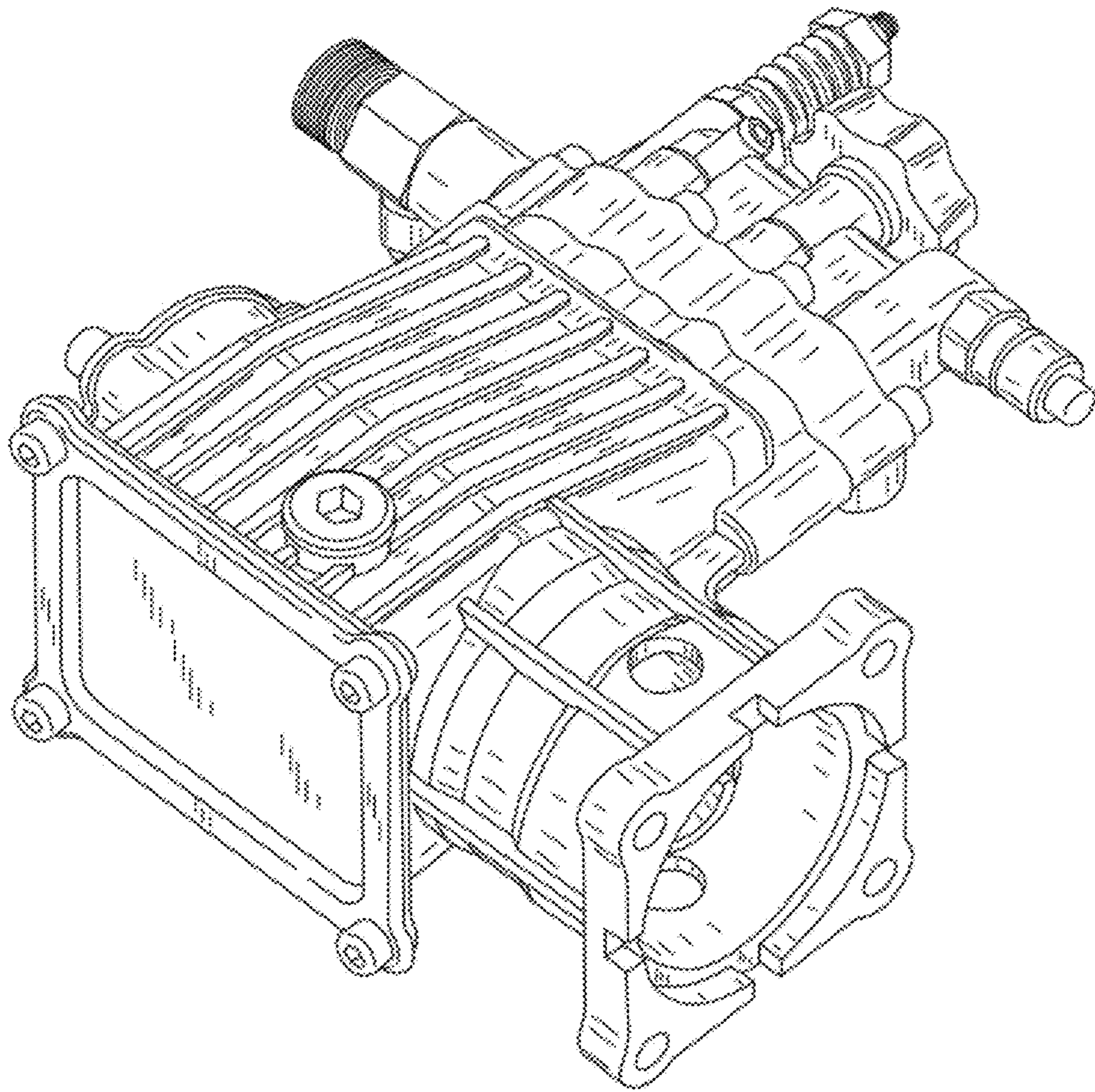


FIG. 3

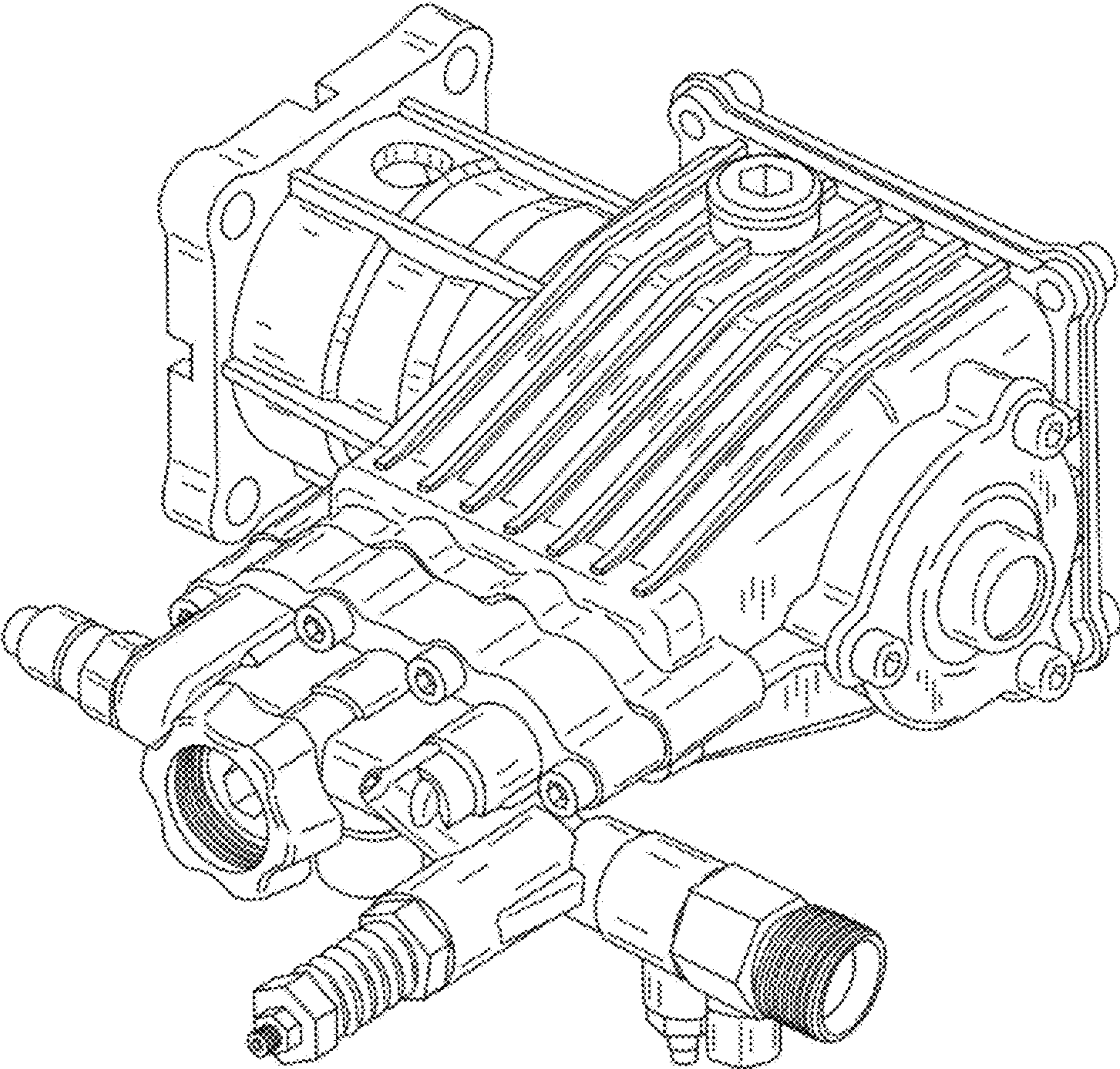


FIG. 4

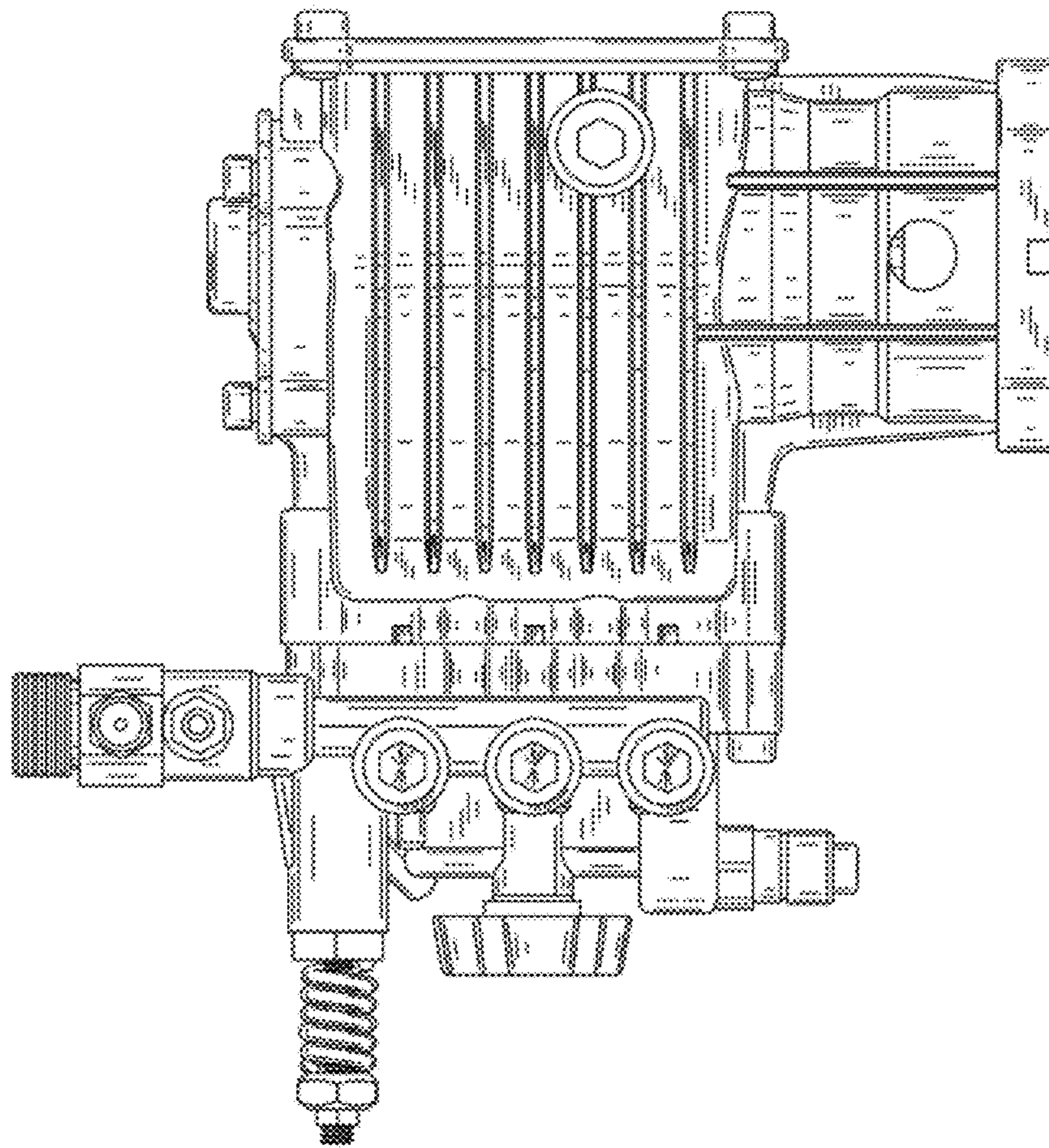


FIG. 5

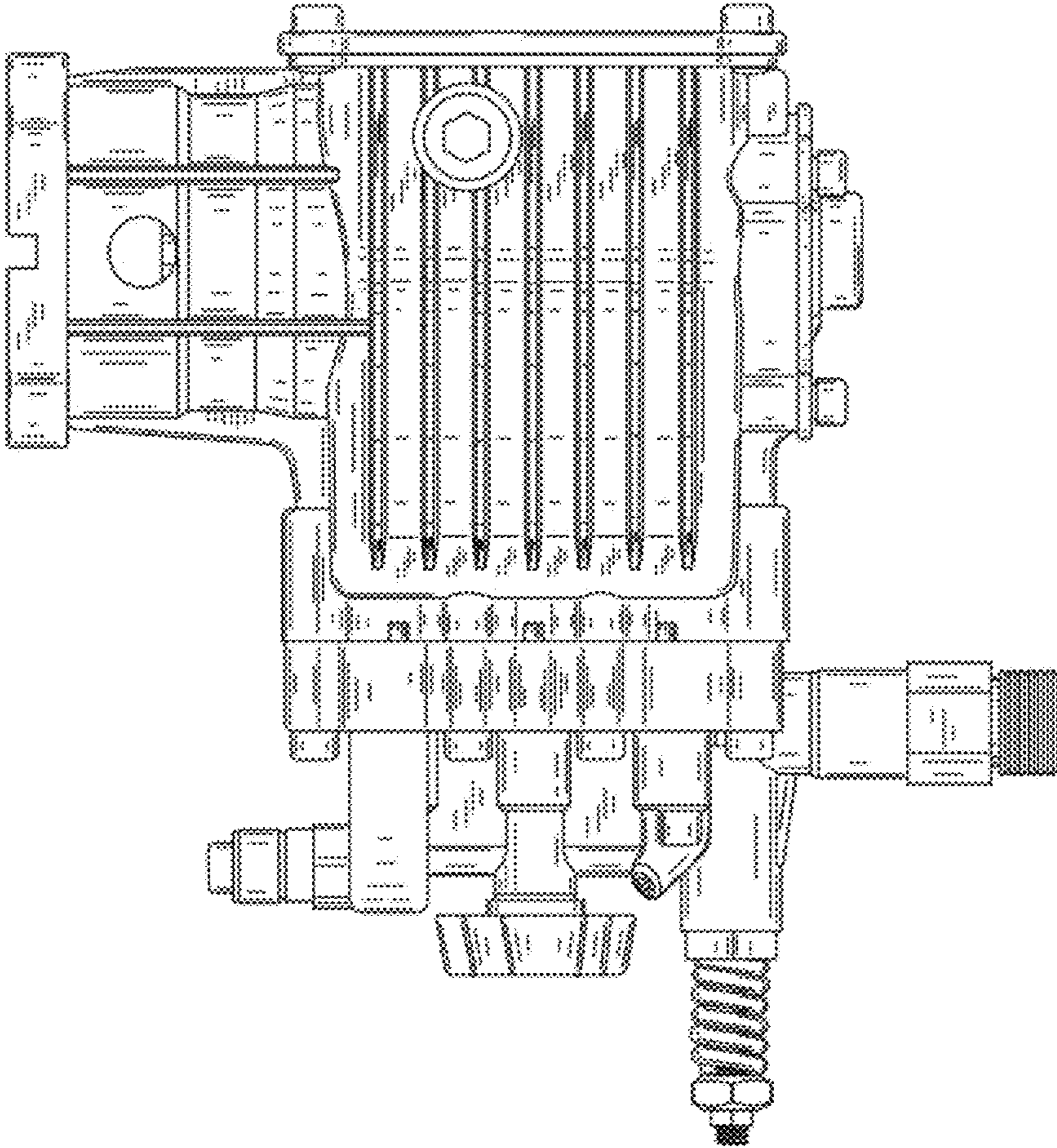


FIG. 6

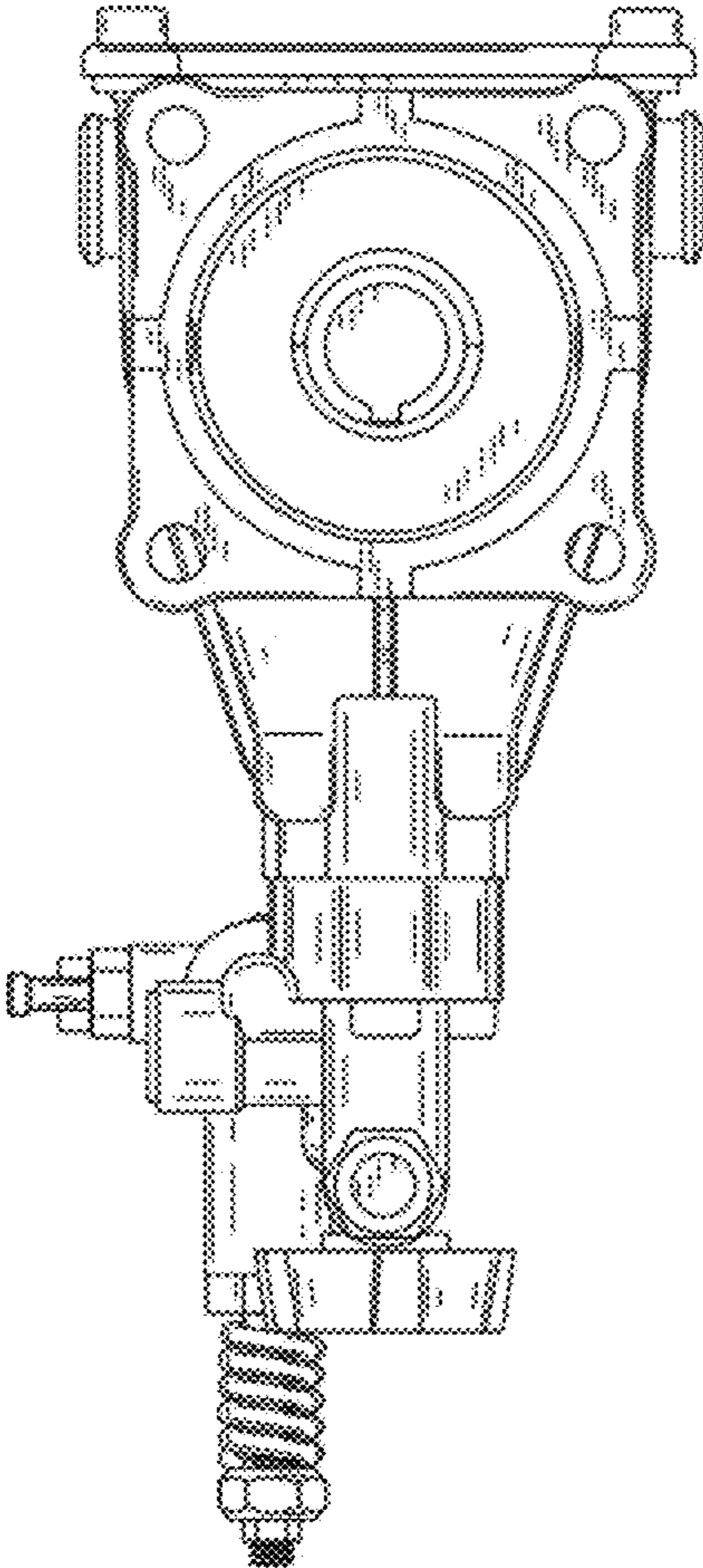


FIG. 7

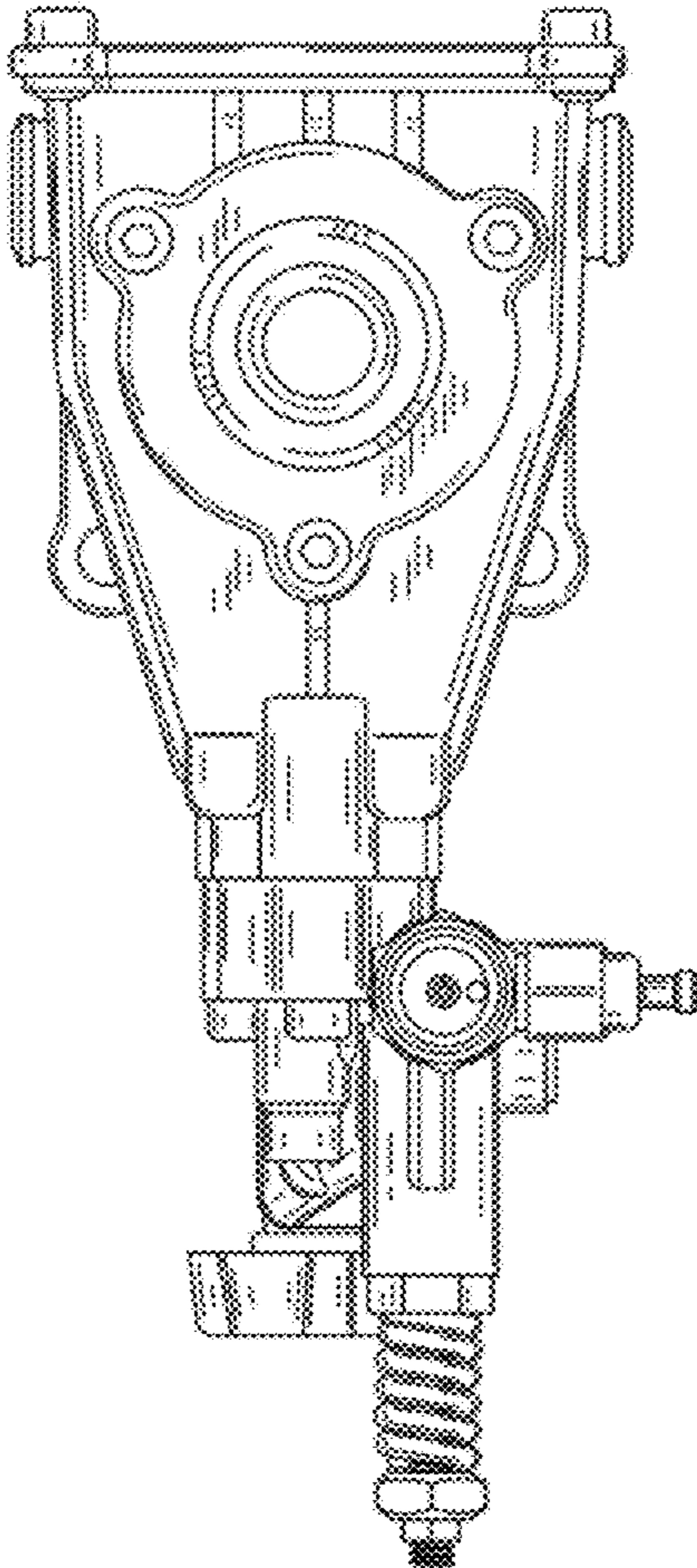


FIG. 8

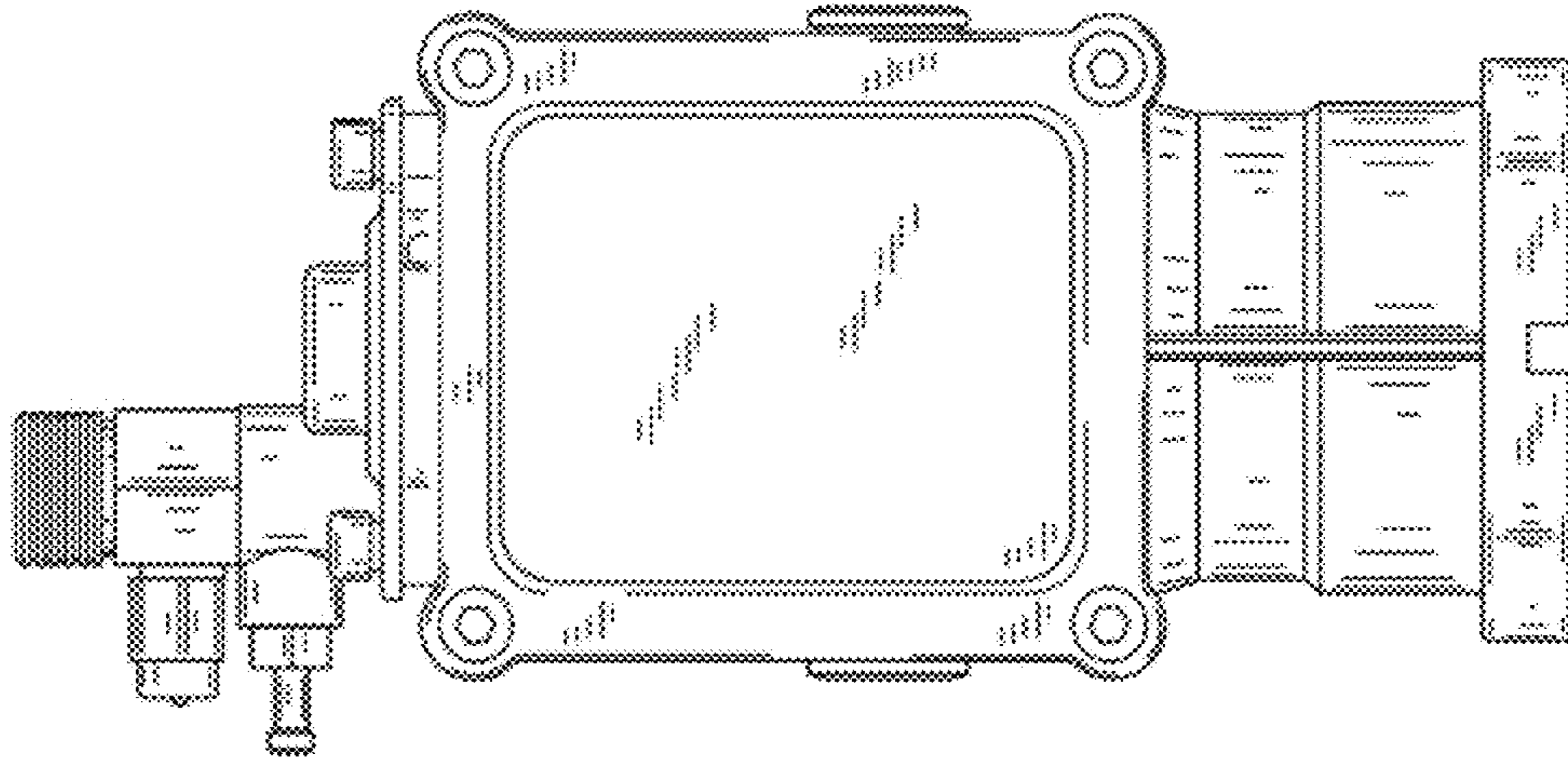


FIG. 9

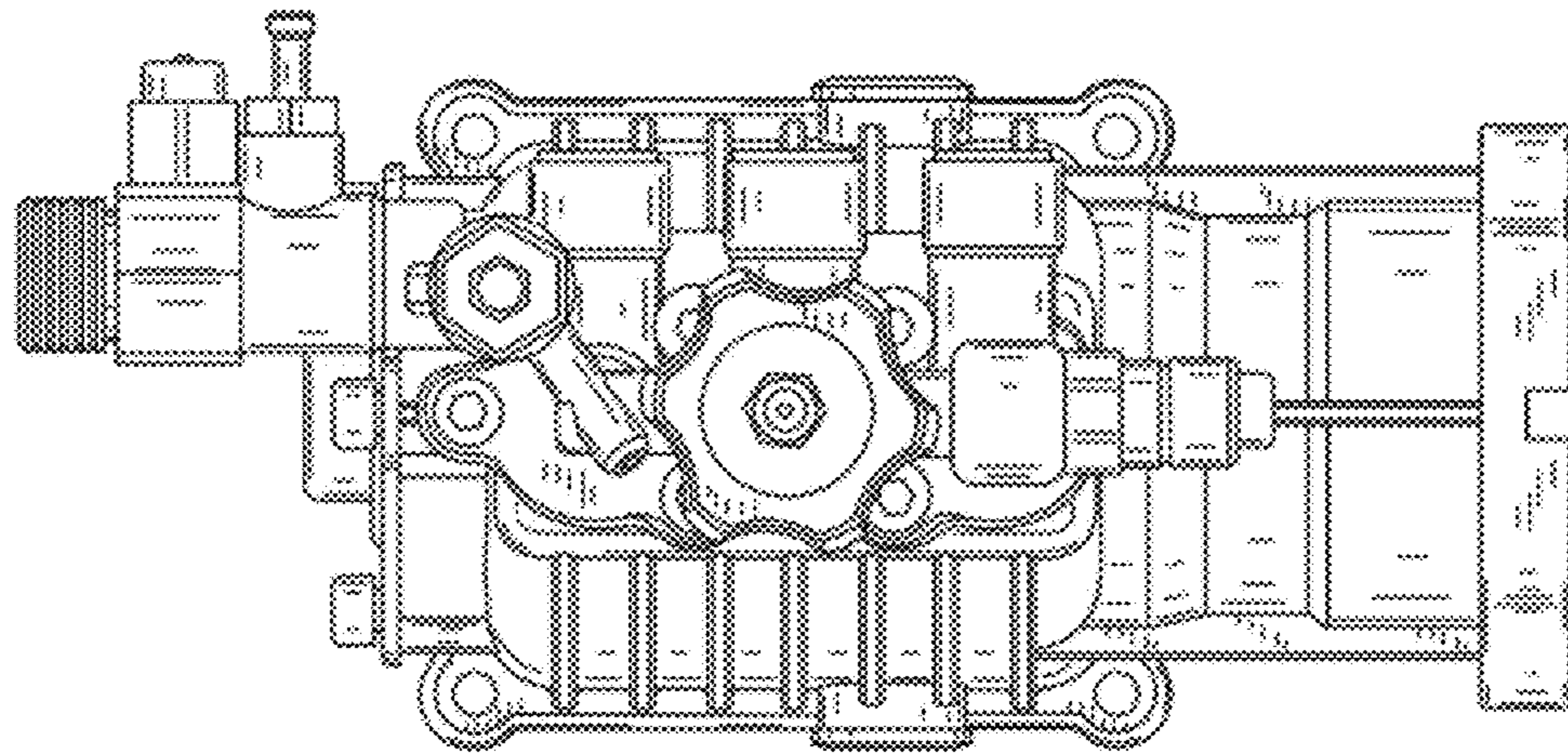


FIG. 10