



US00D670300S

(12) **United States Design Patent**  
**Suzuki**

(10) **Patent No.:** **US D670,300 S**

(45) **Date of Patent:** **\*\* Nov. 6, 2012**

(54) **DAMPER**

(75) Inventor: **Masumi Suzuki**, Sagamihara (JP)

(73) Assignee: **Nifco Inc.**, Yokohama-Shi (JP)

(\*\*) Term: **14 Years**

(21) Appl. No.: **29/371,832**

(22) Filed: **Oct. 20, 2011**

(30) **Foreign Application Priority Data**

Apr. 27, 2011 (JP) ..... 2011-009741  
Apr. 27, 2011 (JP) ..... 2011-009745

(51) **LOC (9) Cl.** ..... **14-99**

(52) **U.S. Cl.** ..... **D14/483**

(58) **Field of Classification Search** ..... D14/299,  
D14/474-483, 496; D8/323, 499; D15/143,  
D15/147, 199; 188/262, 290, 371, 378; 360/137,  
360/220, 221.1, 230; 475/92; 464/180

See application file for complete search history.

(56) **References Cited**

U.S. PATENT DOCUMENTS

4,513,473	A *	4/1985	Omata	16/82
4,614,004	A *	9/1986	Oshida	16/82
4,869,125	A *	9/1989	Saigusa	464/180
5,277,282	A *	1/1994	Umemura	188/290
5,718,309	A *	2/1998	Kariya	188/290
6,604,614	B2 *	8/2003	Kurihara et al.	188/290
D479,242	S *	9/2003	Kurachi et al.	D14/483
D486,833	S *	2/2004	Koizumi et al.	D14/483
D494,601	S *	8/2004	Arisaka et al.	D14/483
D494,602	S *	8/2004	Arisaka et al.	D14/483
D540,809	S *	4/2007	Okabayashi et al.	D14/483
7,264,096	B2 *	9/2007	Hayashi et al.	188/290
D566,122	S *	4/2008	Takei	D14/483
D566,123	S *	4/2008	Takei	D14/483

7,424,939	B2 *	9/2008	Hayashi et al.	188/290
D584,315	S *	1/2009	Yamaguchi	D14/483
7,959,201	B2 *	6/2011	Staib	296/37.12
2005/0115784	A1 *	6/2005	Muller et al.	188/290
2006/0011428	A1 *	1/2006	Hayashi et al.	188/290

\* cited by examiner

*Primary Examiner* — Austin Murphy

(74) *Attorney, Agent, or Firm* — Manabu Kanesaka

(57) **CLAIM**

The ornamental design for a damper, as shown and described.

**DESCRIPTION**

FIG. 1 is a perspective view of a damper showing my new design;

FIG. 2 is another perspective view thereof;

FIG. 3 is a front view thereof, a rear view being symmetrical to the front view;

FIG. 4 is a top plan view thereof;

FIG. 5 is a bottom plan view;

FIG. 6 is a right side view thereof;

FIG. 7 is a left side view thereof;

FIG. 8 is a cross-sectional view thereof taken along line 8-8 in FIG. 4;

FIG. 9 is a perspective view of another damper showing my new design;

FIG. 10 is another perspective view thereof;

FIG. 11 is a front view thereof, a rear view being symmetrical to the front view;

FIG. 12 is a top plan view thereof;

FIG. 13 is a bottom plan view

FIG. 14 is a right side view thereof;

FIG. 15 is a left side view thereof; and,

FIG. 16 is a cross-sectional view thereof taken along line 16-16 in FIG. 12.

The broken lines depict portions of the damper that form no part of claimed design.

**1 Claim, 8 Drawing Sheets**

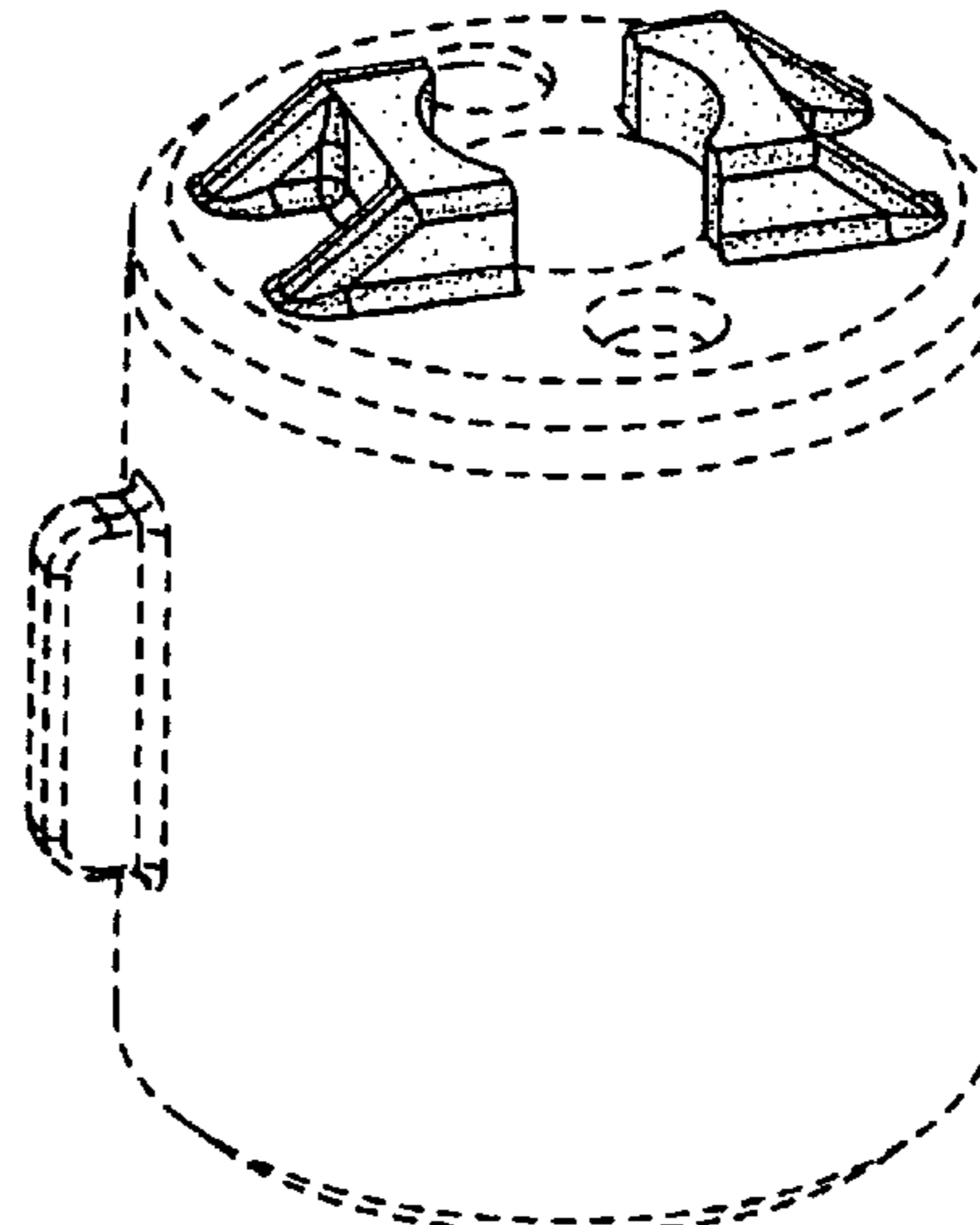
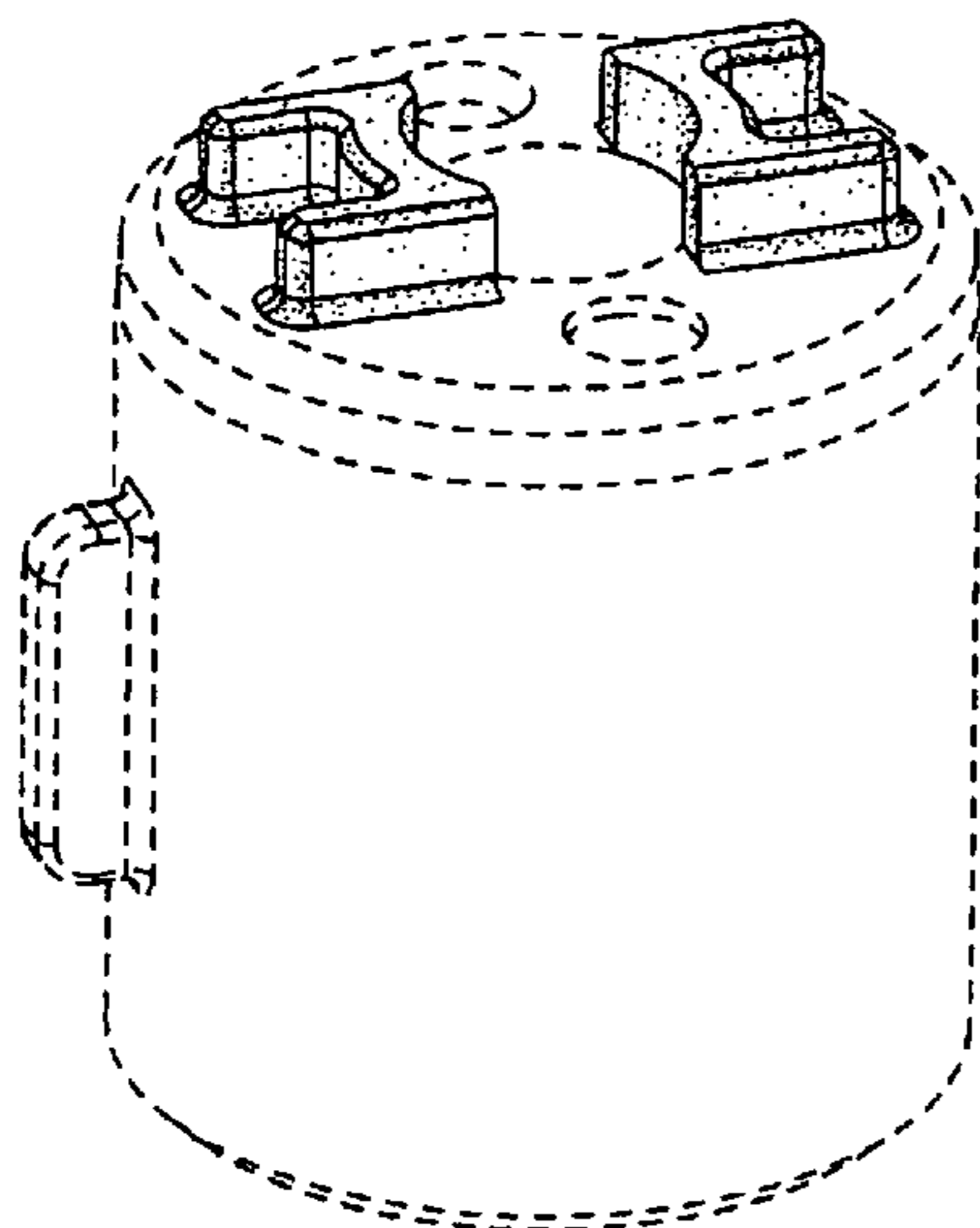


FIG. 1

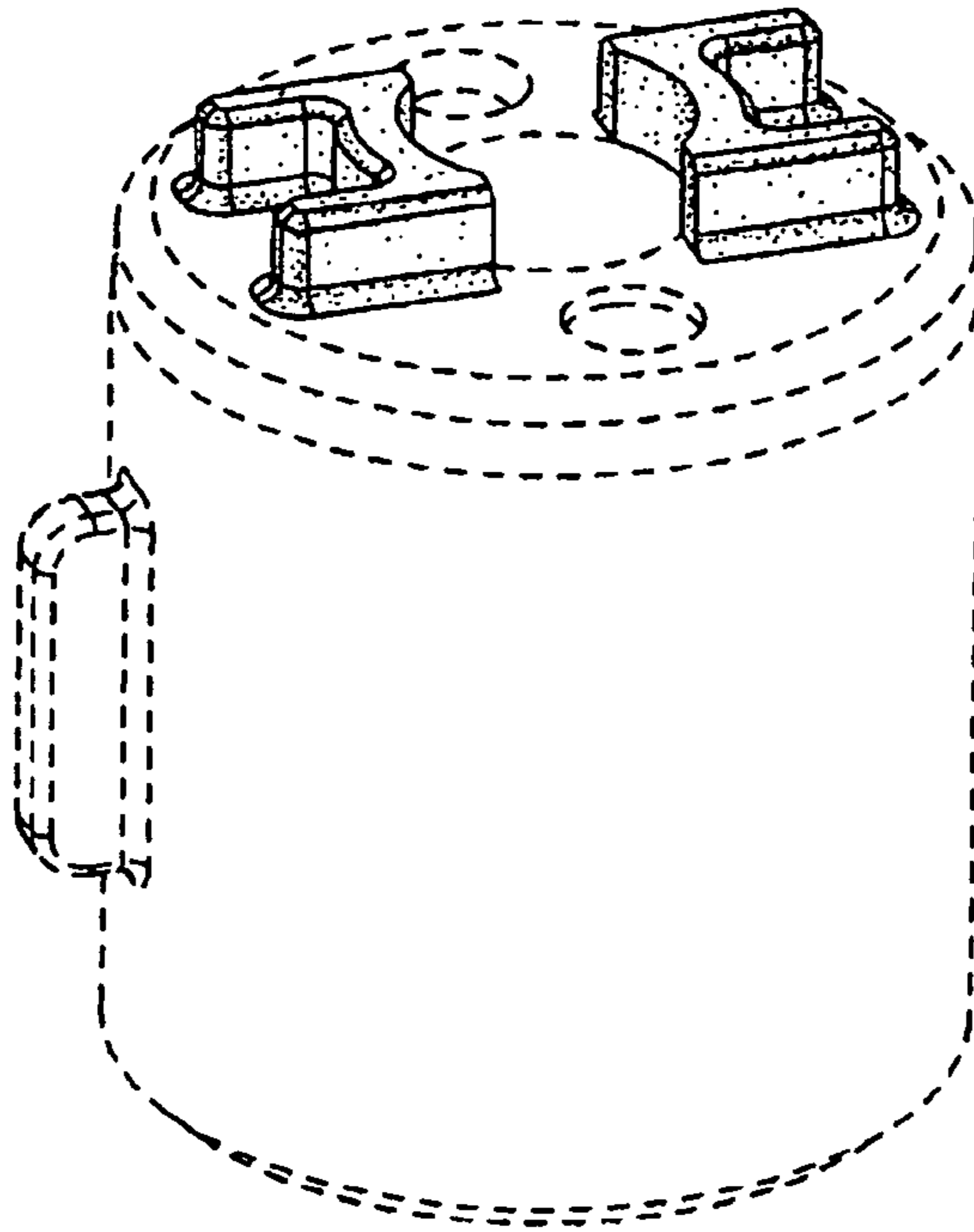


FIG. 2

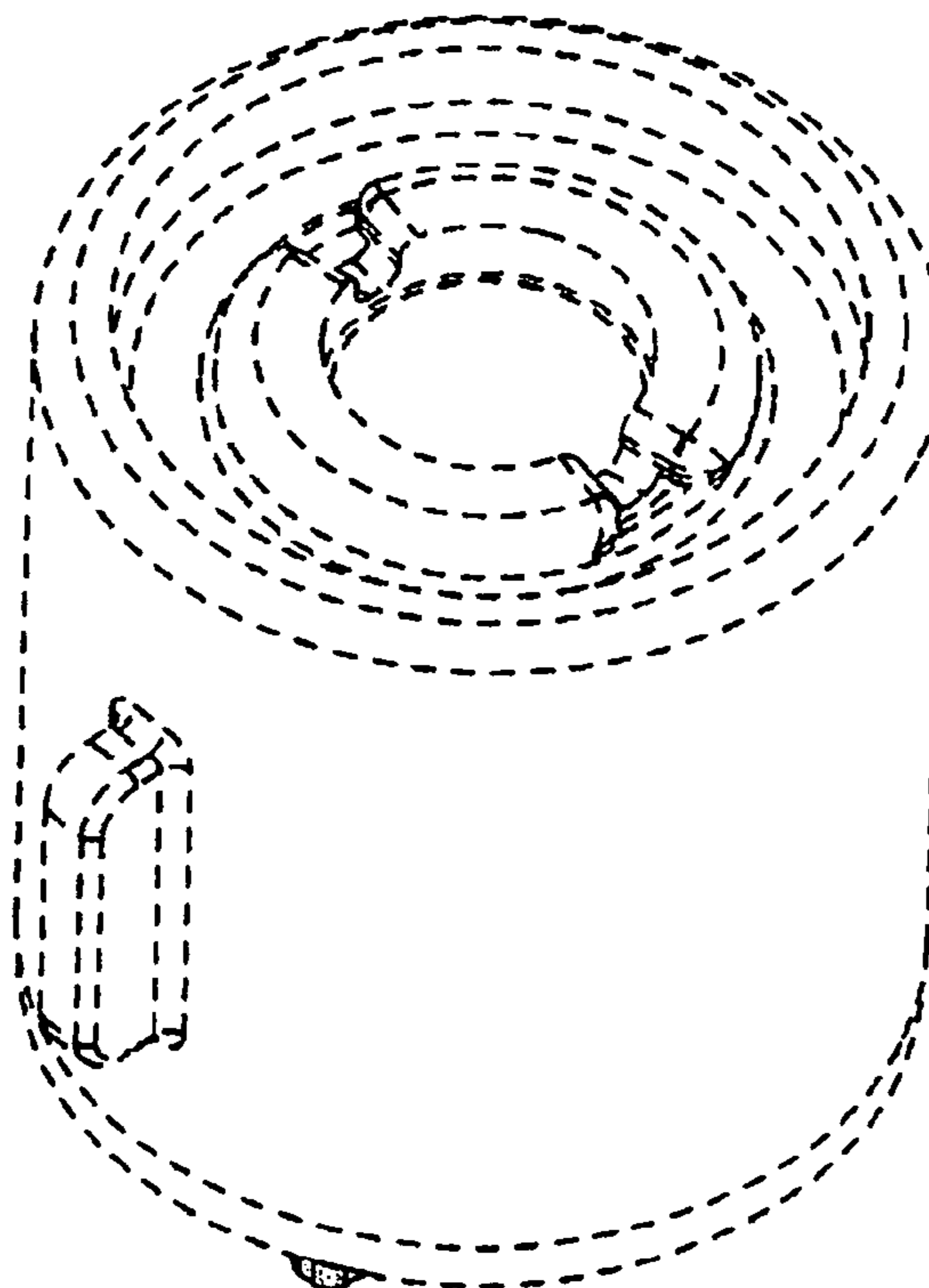


FIG. 3

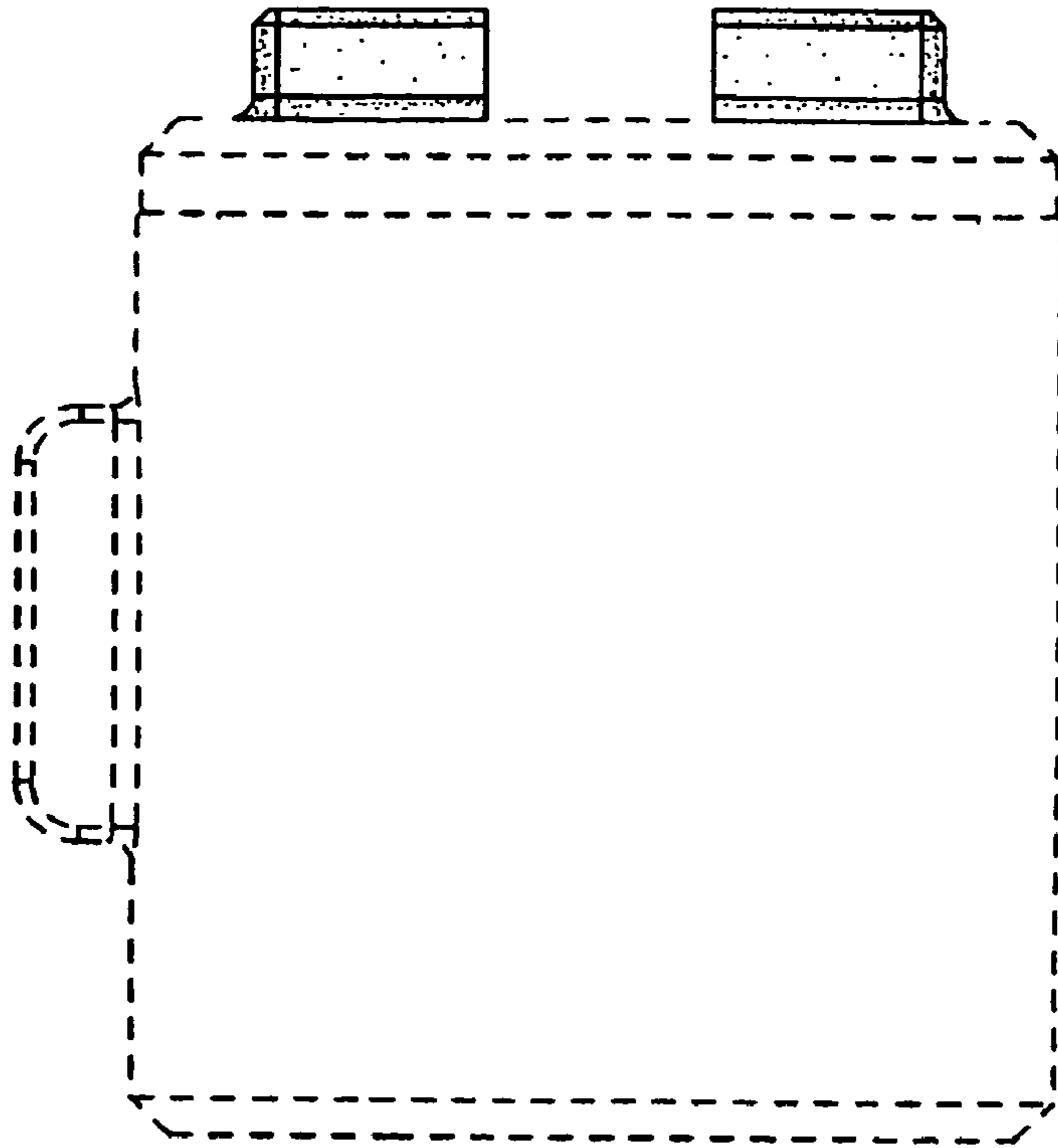


FIG. 4

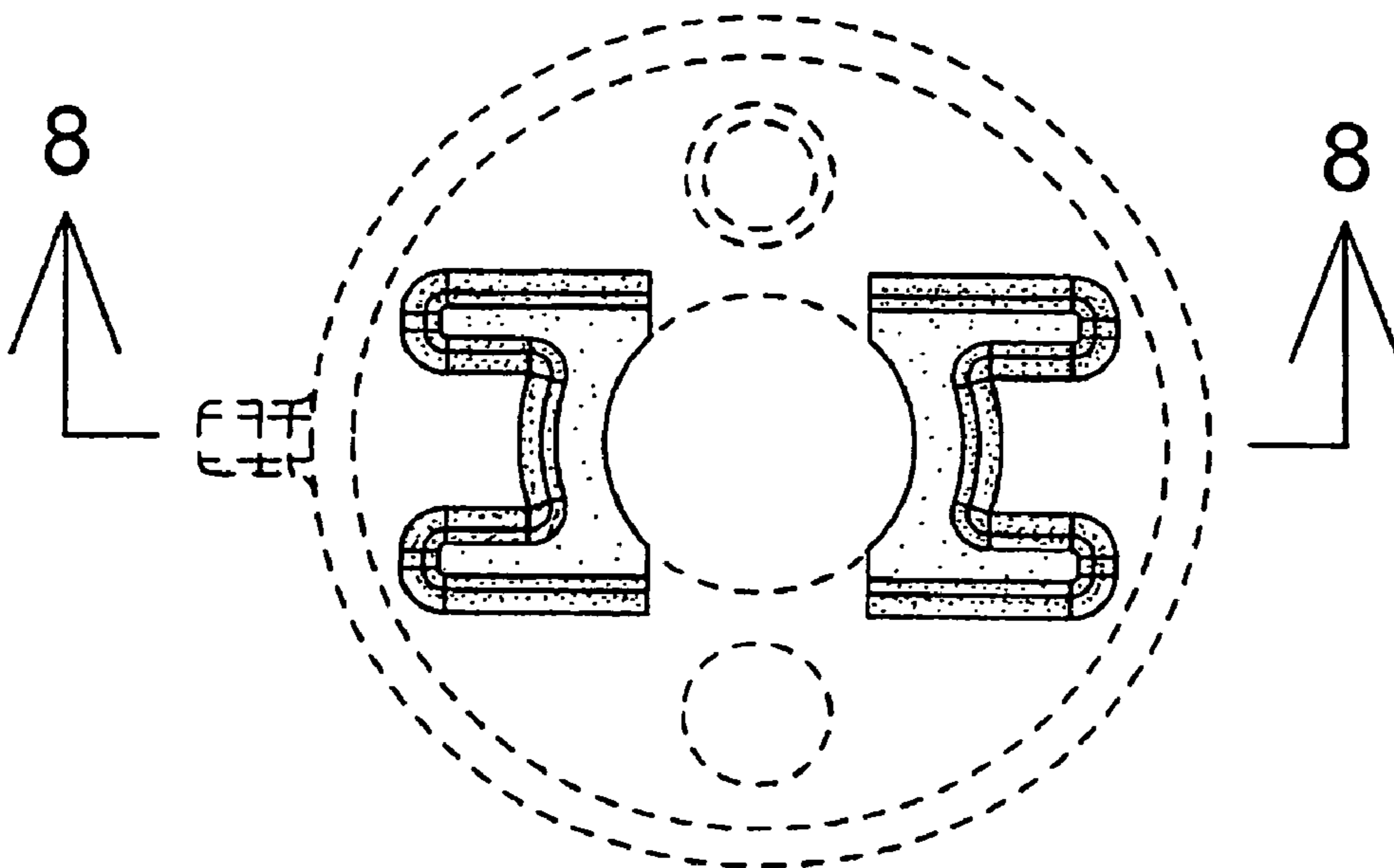


FIG. 5

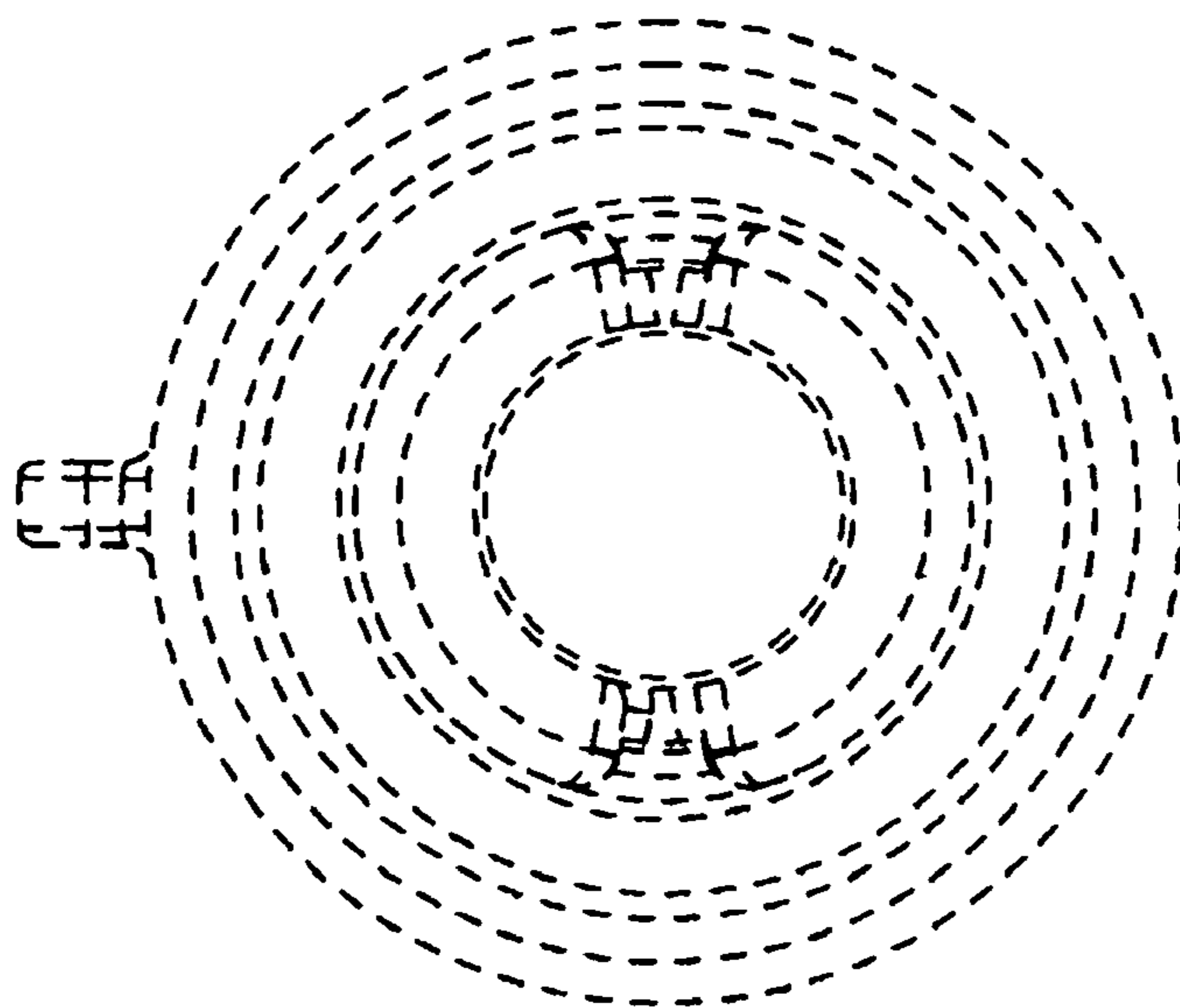


FIG. 6

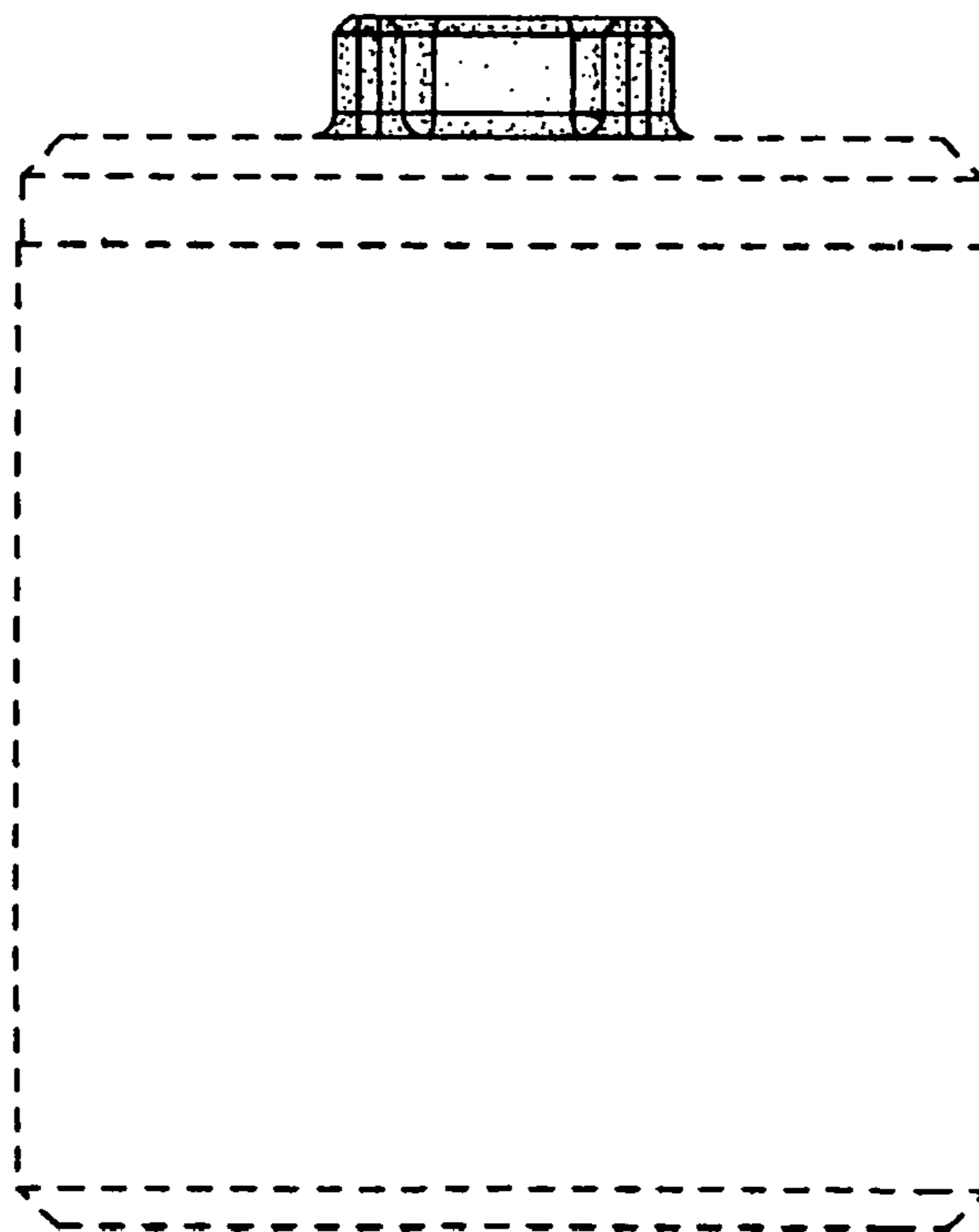


FIG. 7

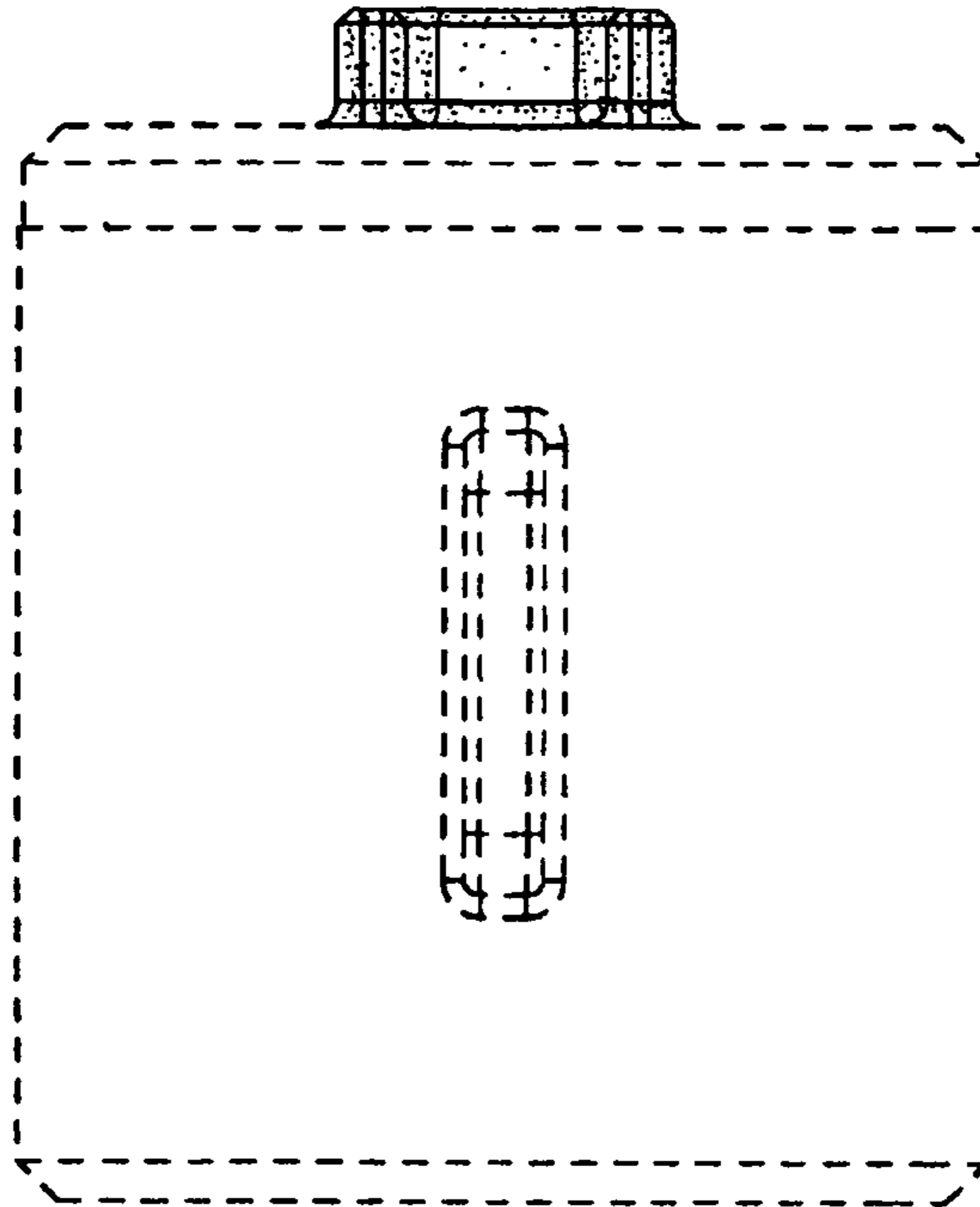


FIG. 8

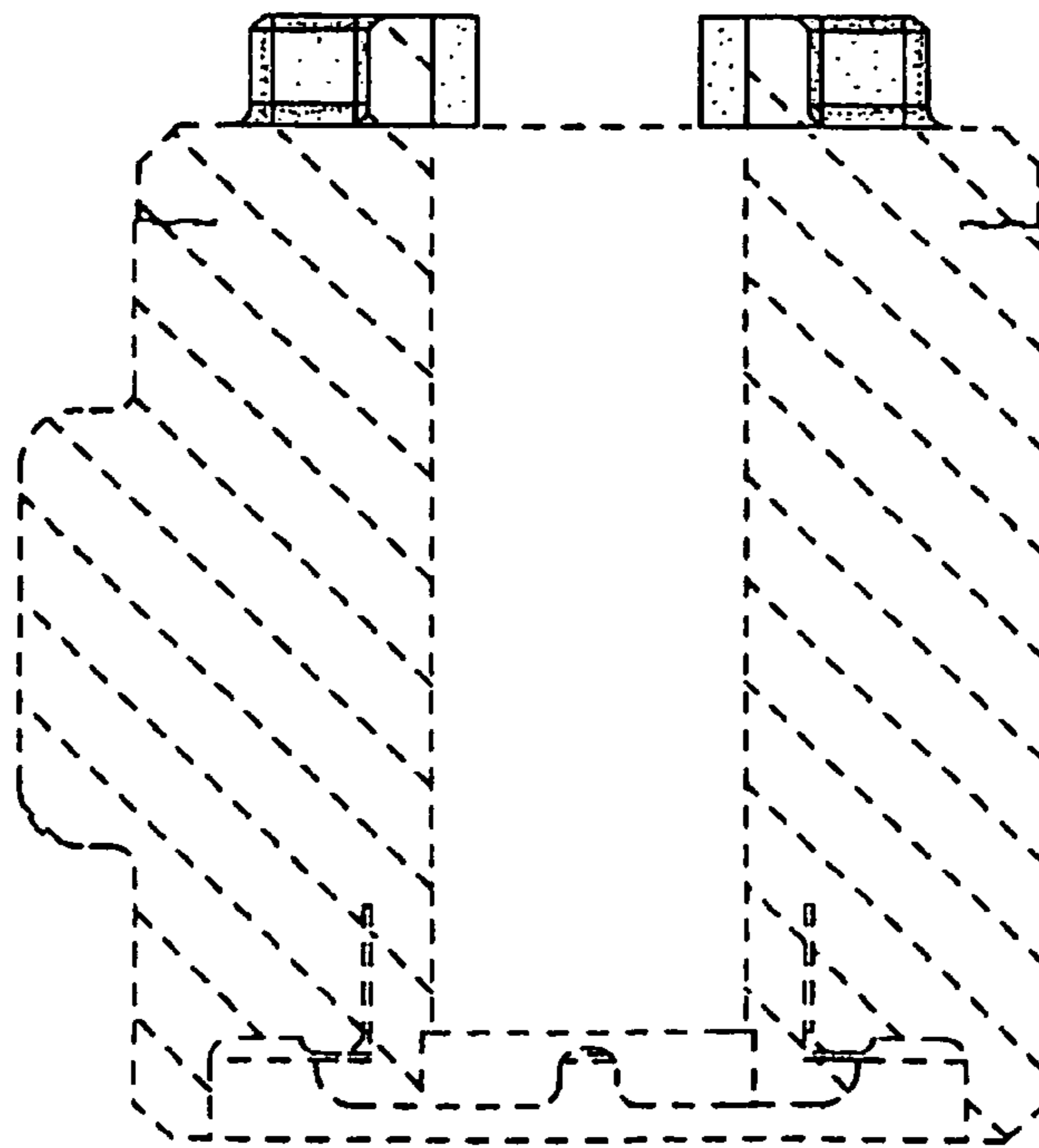


FIG. 9

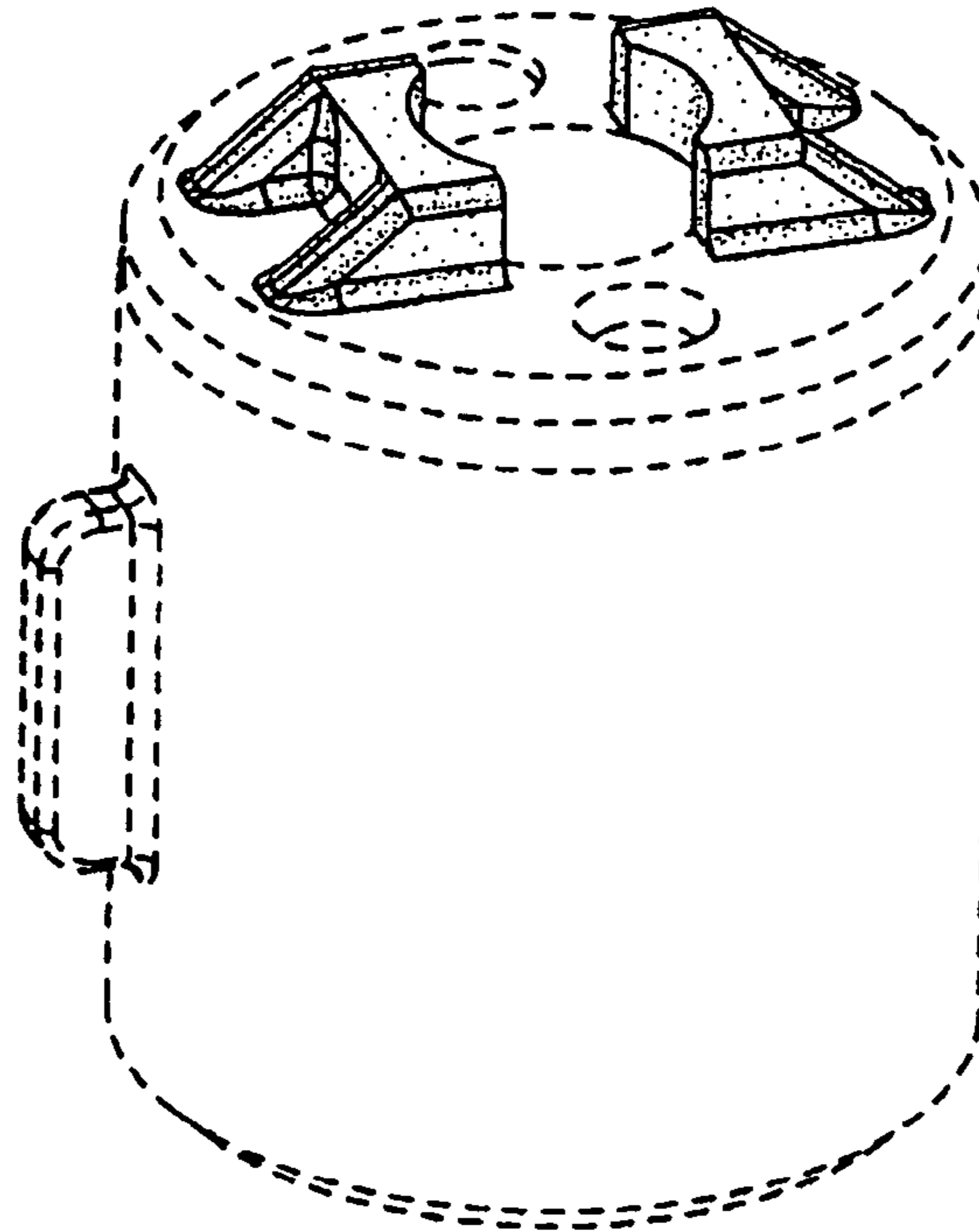


FIG. 10

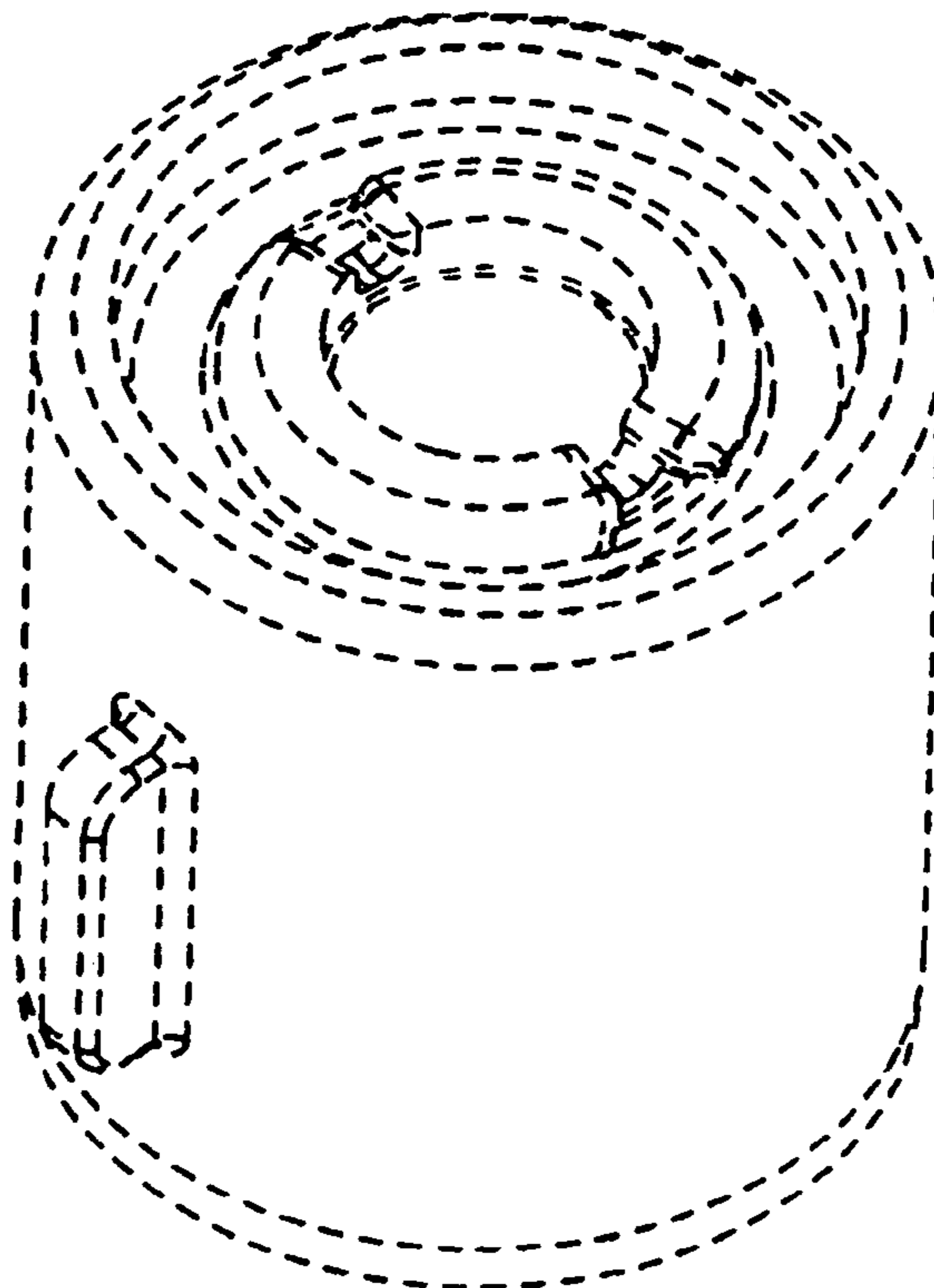


FIG. 11

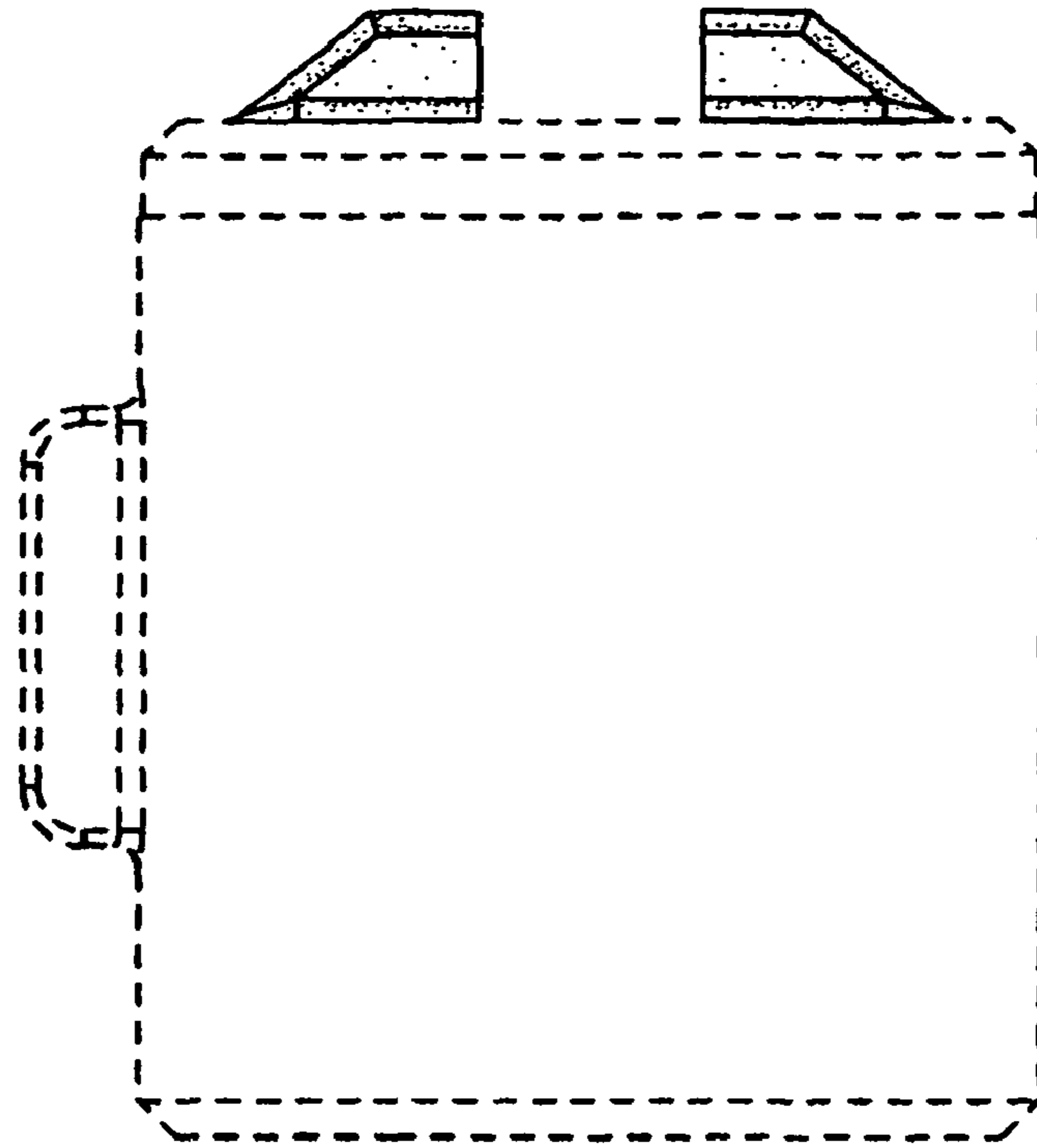


FIG. 12

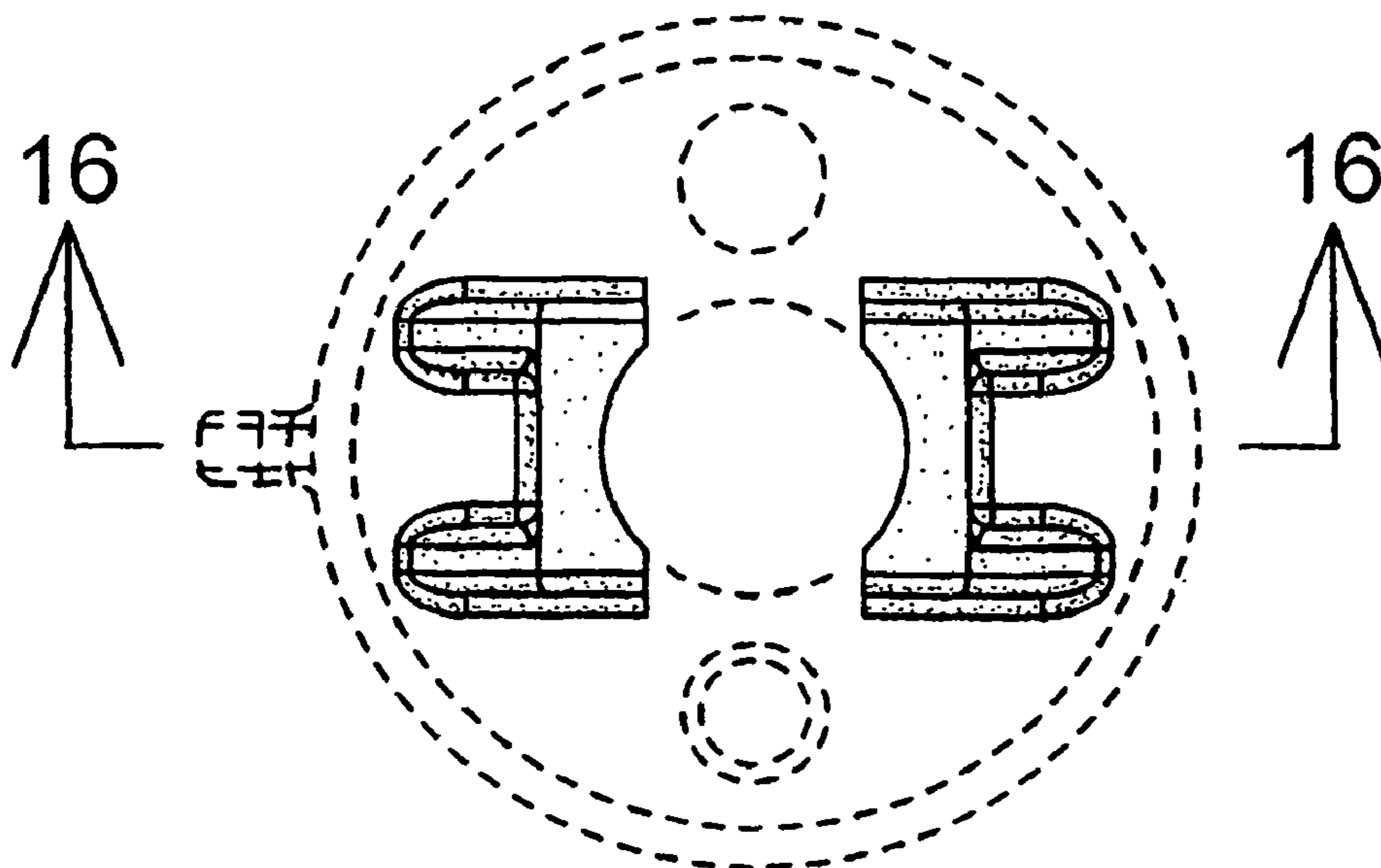


FIG. 13

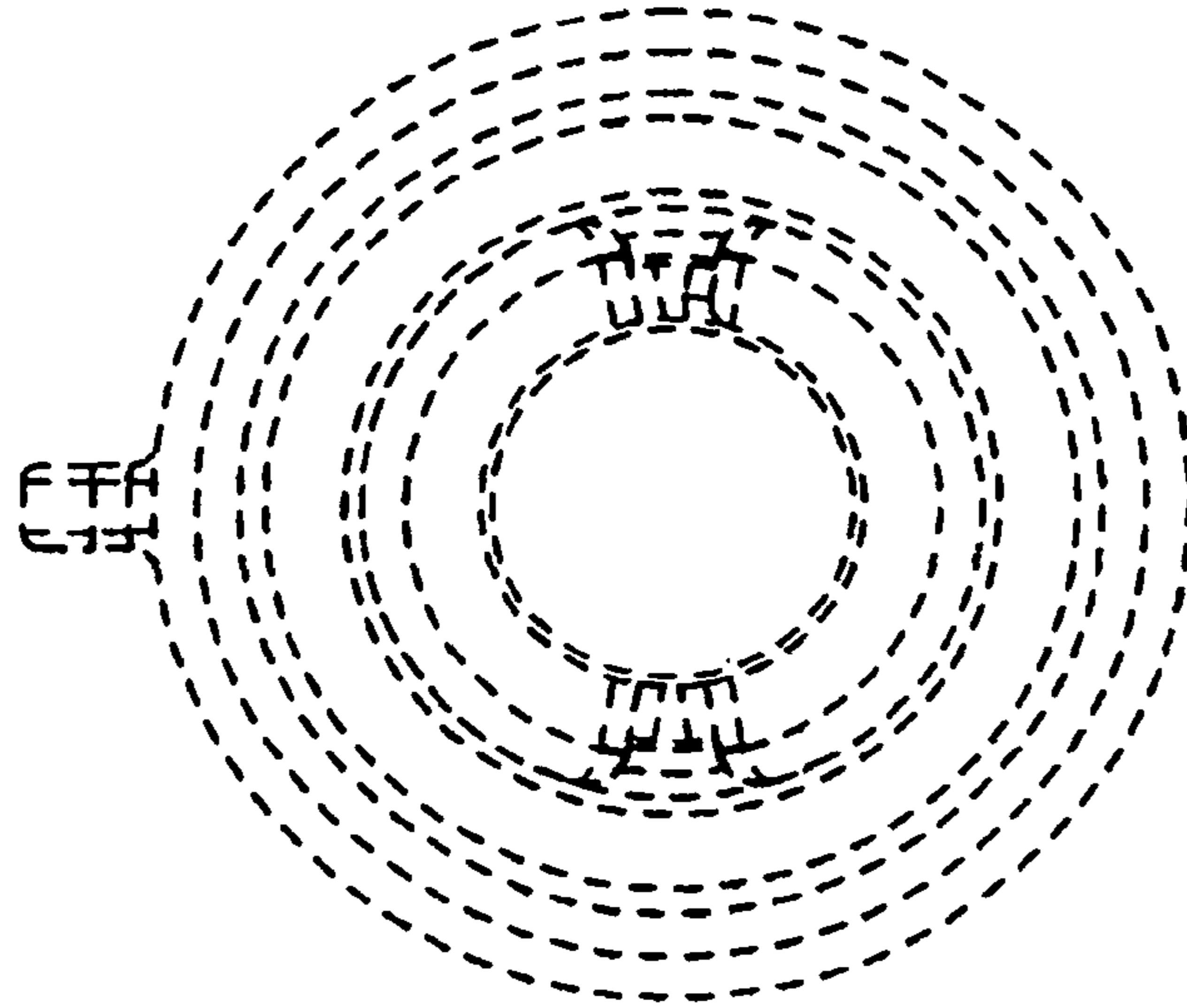


FIG. 14

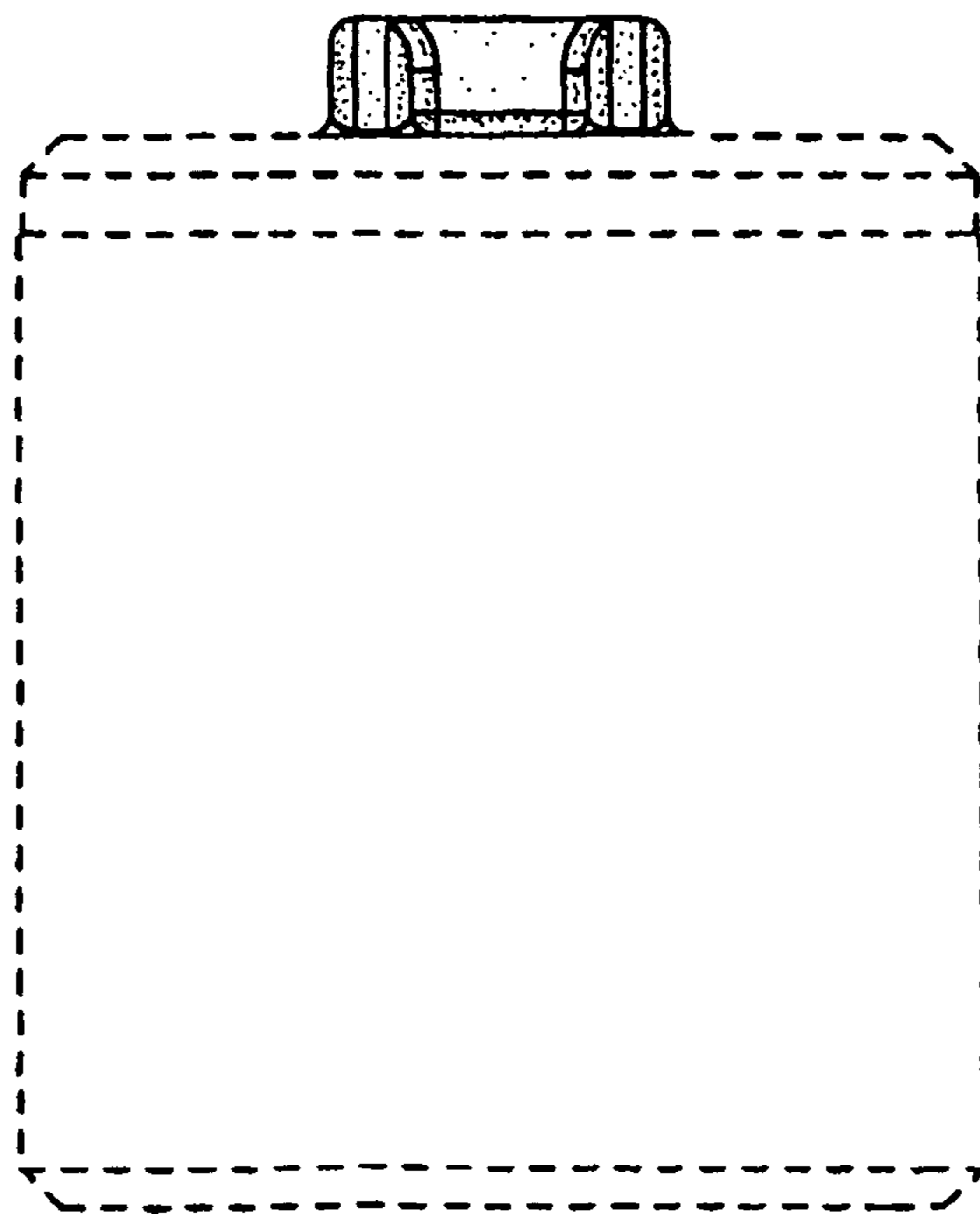




FIG. 15

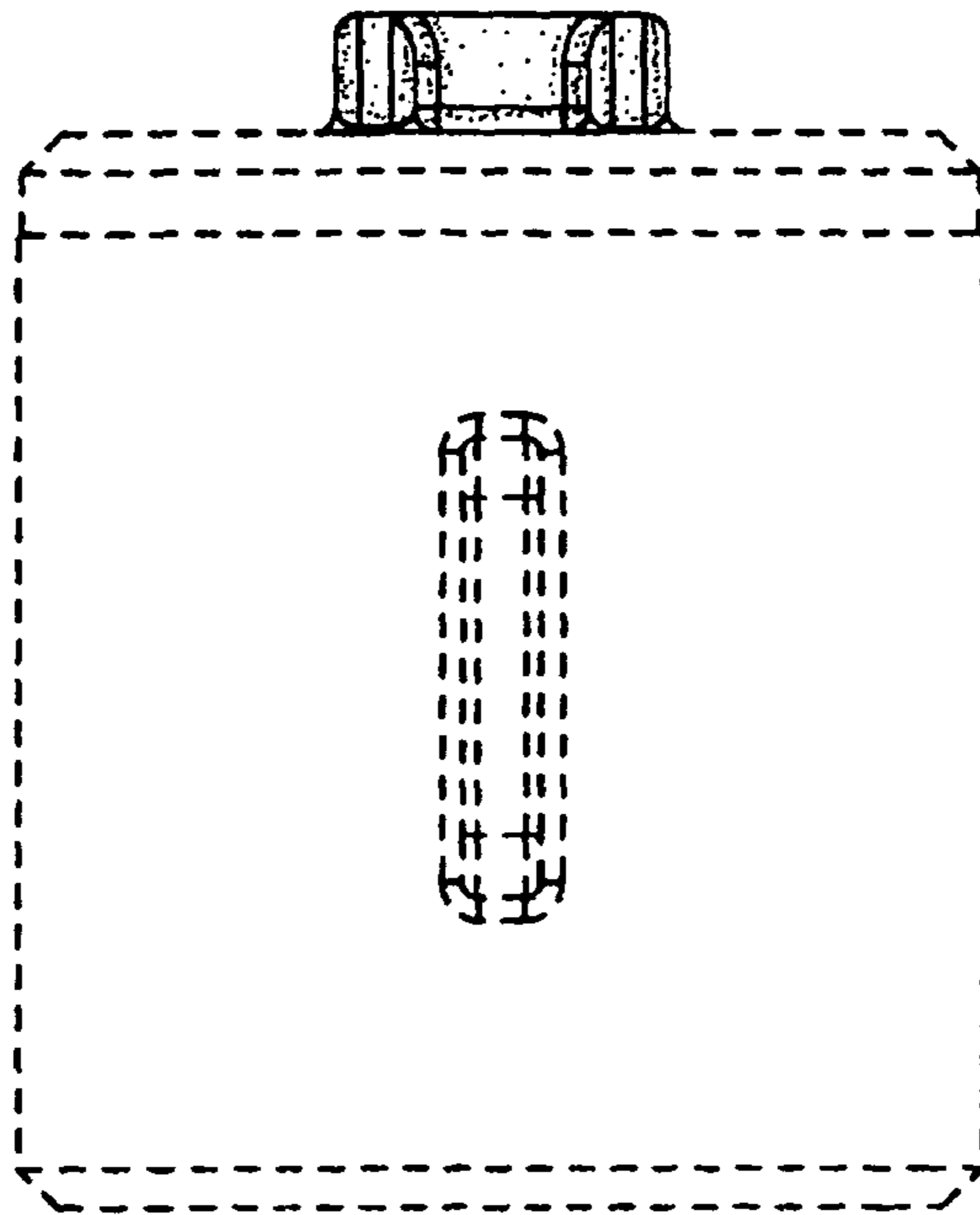


FIG. 16

