

US00D670295S

(12) **United States Design Patent**
Prescott et al.

(10) **Patent No.:** **US D670,295 S**

(45) **Date of Patent:** **** Nov. 6, 2012**

(54) **HEADREST MOUNT FOR TABLET
COMPUTER**

(75) Inventors: **Amy Prescott**, Minneapolis, MN (US);
Lawrence Zhou, Pudong (CN); **Roger
Widner**, Farmington, MN (US); **Farhad
Nourbakhsh**, Apple Valley, MN (US);
Kris Verstockt, Taipei (TW); **Pei-Yun
Yang**, Taipei (TW)

(73) Assignee: **BBY Solutions, Inc.**, Richfield, MN
(US)

(**) Term: **14 Years**

(21) Appl. No.: **29/397,443**

(22) Filed: **Jul. 15, 2011**

(51) **LOC (9) Cl.** **08-07**

(52) **U.S. Cl.** **D14/447**

(58) **Field of Classification Search** D14/447,
D14/432, 433, 434, 439, 440, 451, 452, 457,
D14/239, 251, 253, 217, 374, 375, 376, 377,
D14/902, 216, 209.1, 204; D12/415, 416;
D3/218, 274, 318, 321, 328; D6/406.3, 406.4;
190/117; 361/679.03, 679.09, 679.05, 679.26,
361/679.3, 679.55, 679.56, 679.27; 248/176.1,
248/917, 918, 919, 920, 921, 922, 923, 924,
248/682, 689, 690, 691, 692, 441.1, 444,
248/447, 451, 460, 463, 118, 118.5, 149,
248/150, 166, 434, 177.1; D10/113.4; D16/242,
D16/244, 245; 108/42, 152

See application file for complete search history.

(56) **References Cited**

U.S. PATENT DOCUMENTS

D344,625	S *	3/1994	Berry	D12/416
D431,019	S *	9/2000	Richter	D12/426.1
6,229,693	B1 *	5/2001	Karidis et al.	361/679.05
D473,840	S *	4/2003	Sauer	D12/416
D559,839	S *	1/2008	Vitito	D14/239
7,379,125	B2 *	5/2008	Chang	348/837
7,448,679	B2 *	11/2008	Chang	297/217.3
7,490,887	B2 *	2/2009	Vitito	296/37.8
D619,079	S *	7/2010	Bailo	D12/416
7,758,117	B2 *	7/2010	Chang	297/217.3
D660,305	S *	5/2012	Ho et al.	D14/447
D661,308	S *	6/2012	Capozzoli, II	D14/447
2012/0162891	A1 *	6/2012	Tranchina et al.	361/679.26

* cited by examiner

Primary Examiner — Angela J Lee

(74) *Attorney, Agent, or Firm* — Beck & Tysver, PLLC

(57) **CLAIM**

The ornamental design for a headrest mount for tablet com-
puter, as shown and described.

DESCRIPTION

FIG. 1 is a front perspective view thereof.
FIG. 2 is a front plan view thereof.
FIG. 3 is a rear plan view thereof.
FIG. 4 is a top plan view thereof.
FIG. 5 is a bottom plan view thereof.
FIG. 6 is a left side elevational view thereof.
FIG. 7 is a right side elevational view thereof; and,
FIG. 8 is an exploded rear perspective view, illustrating the
clamps in the open position.

1 Claim, 5 Drawing Sheets

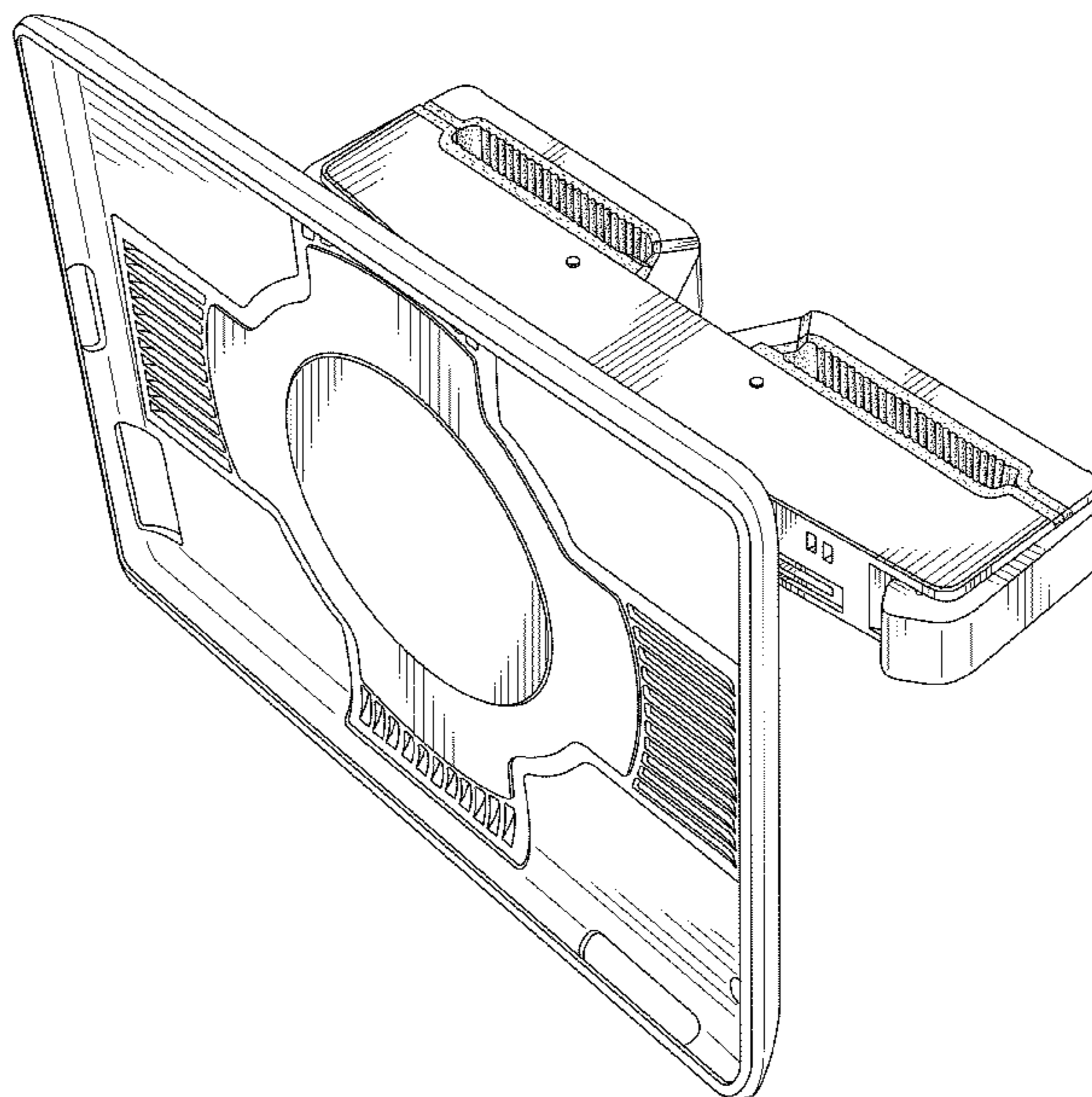


Fig. 1

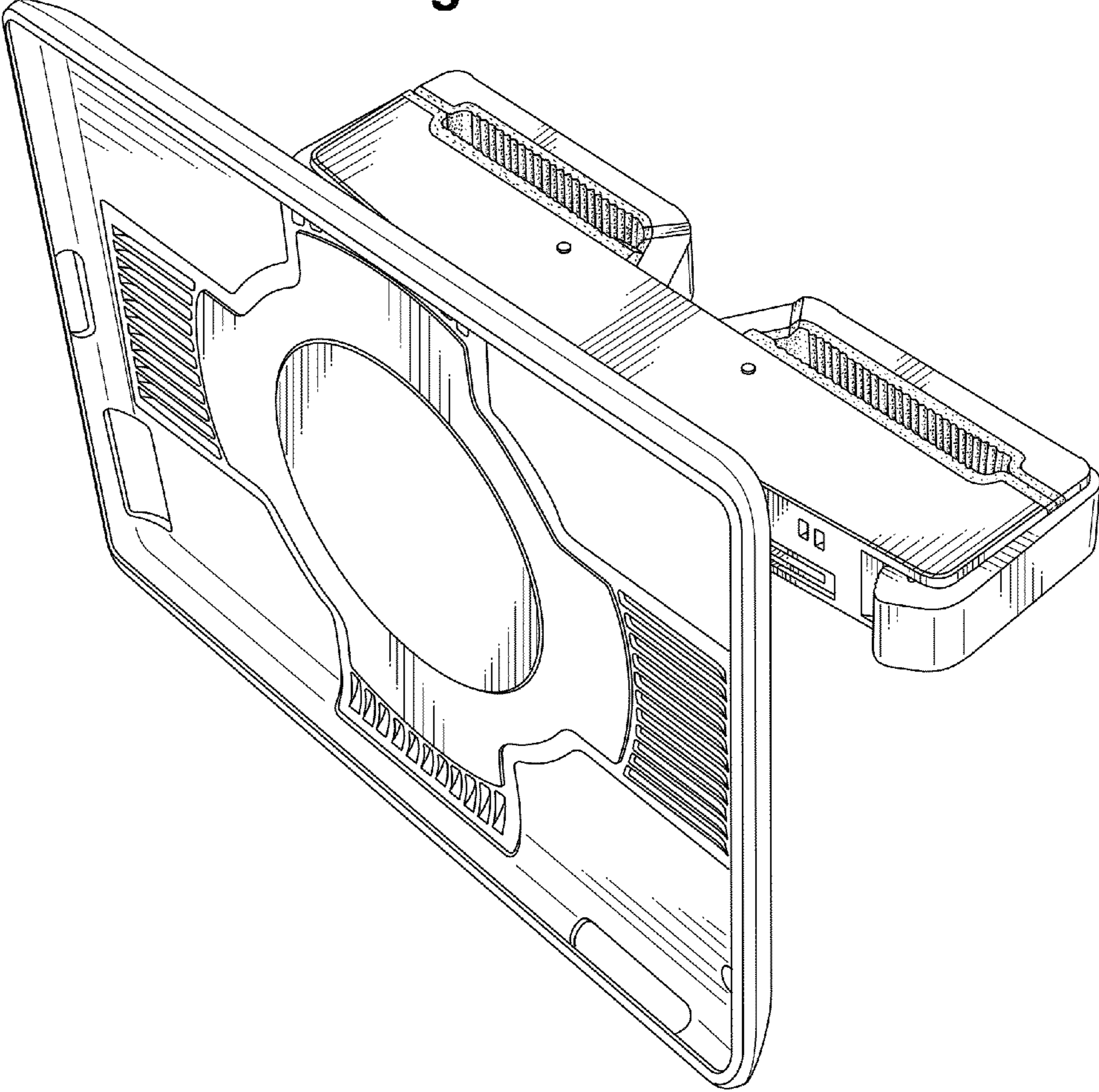


Fig. 2

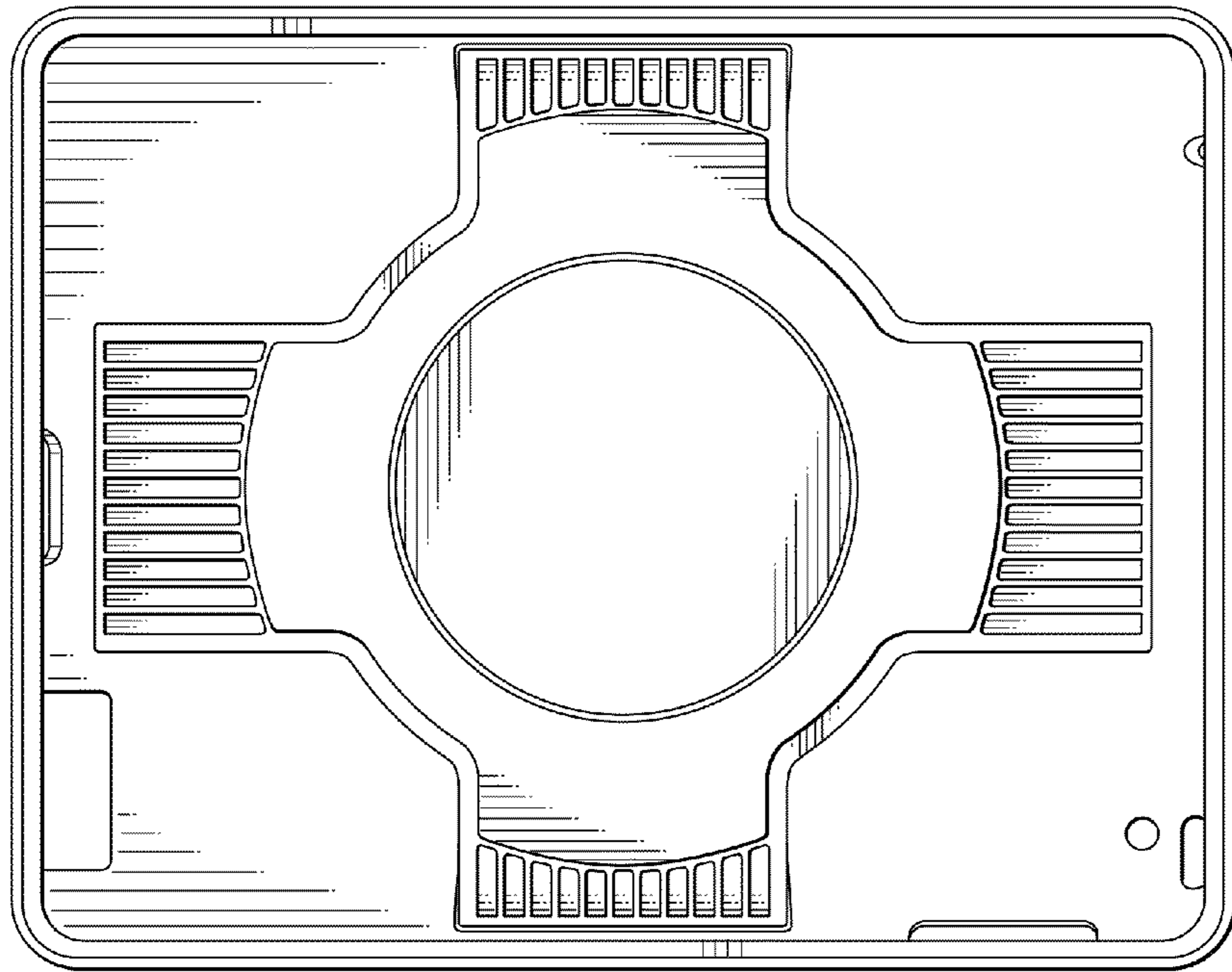


Fig. 3

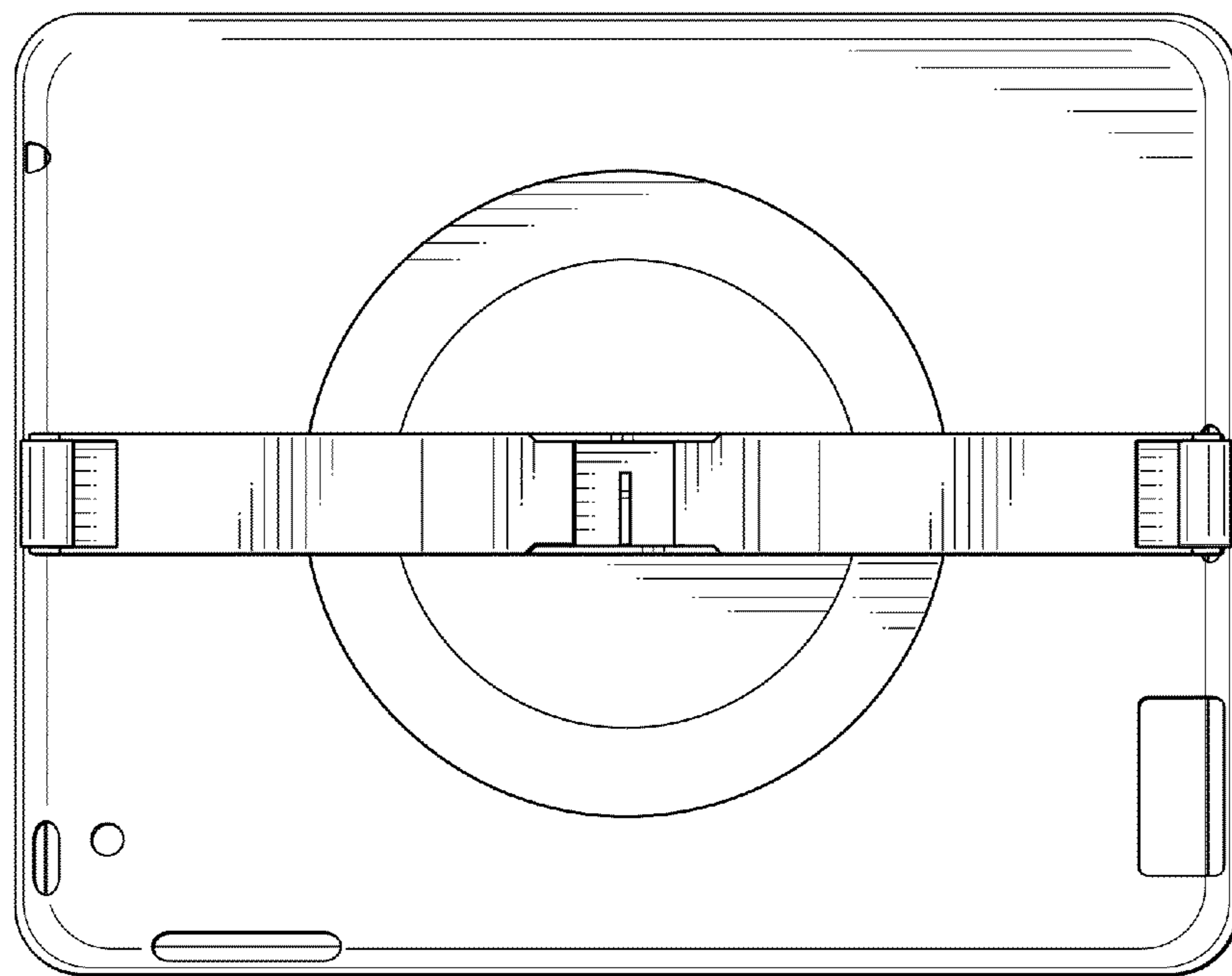


Fig. 4

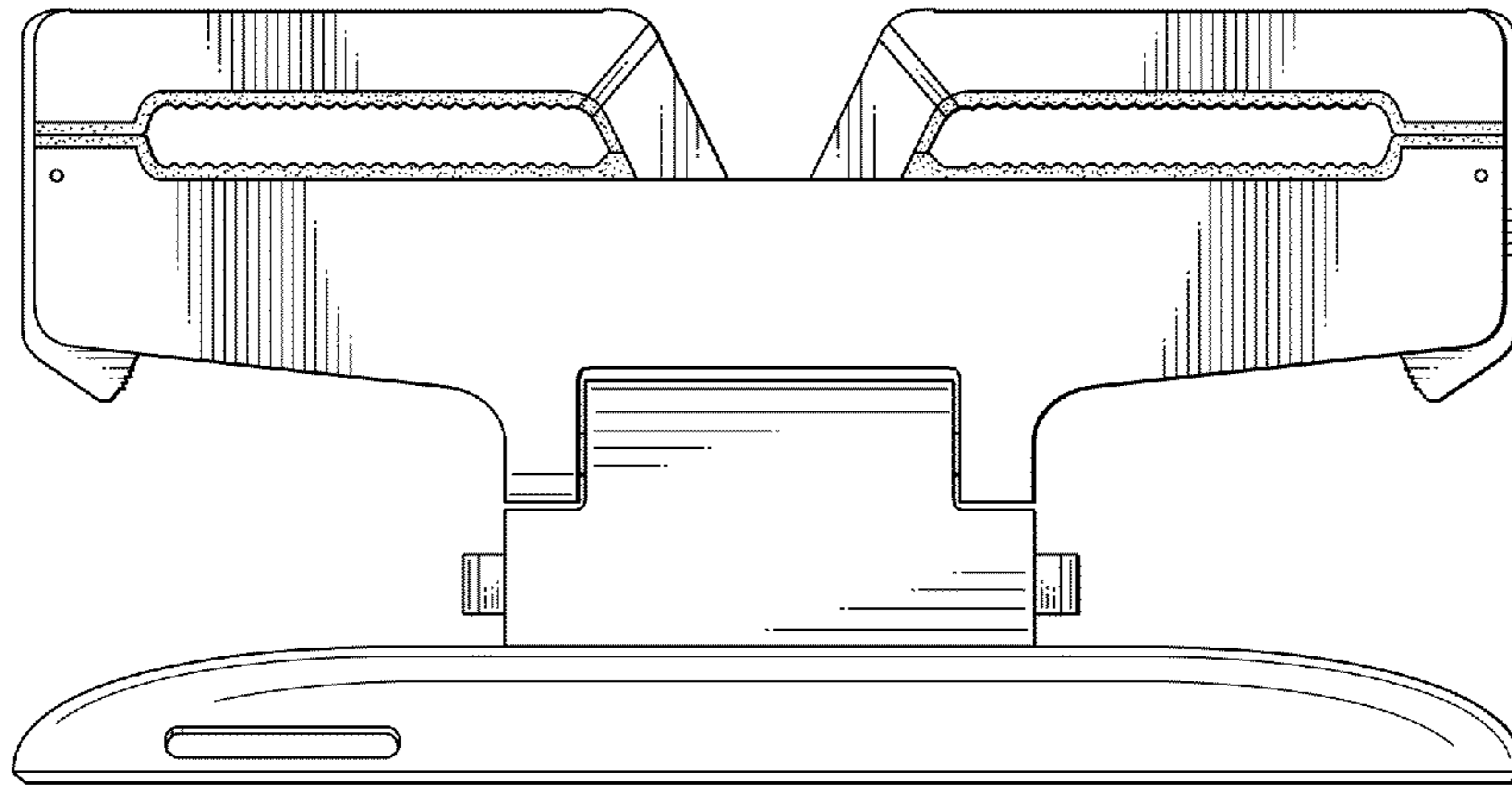


Fig. 5

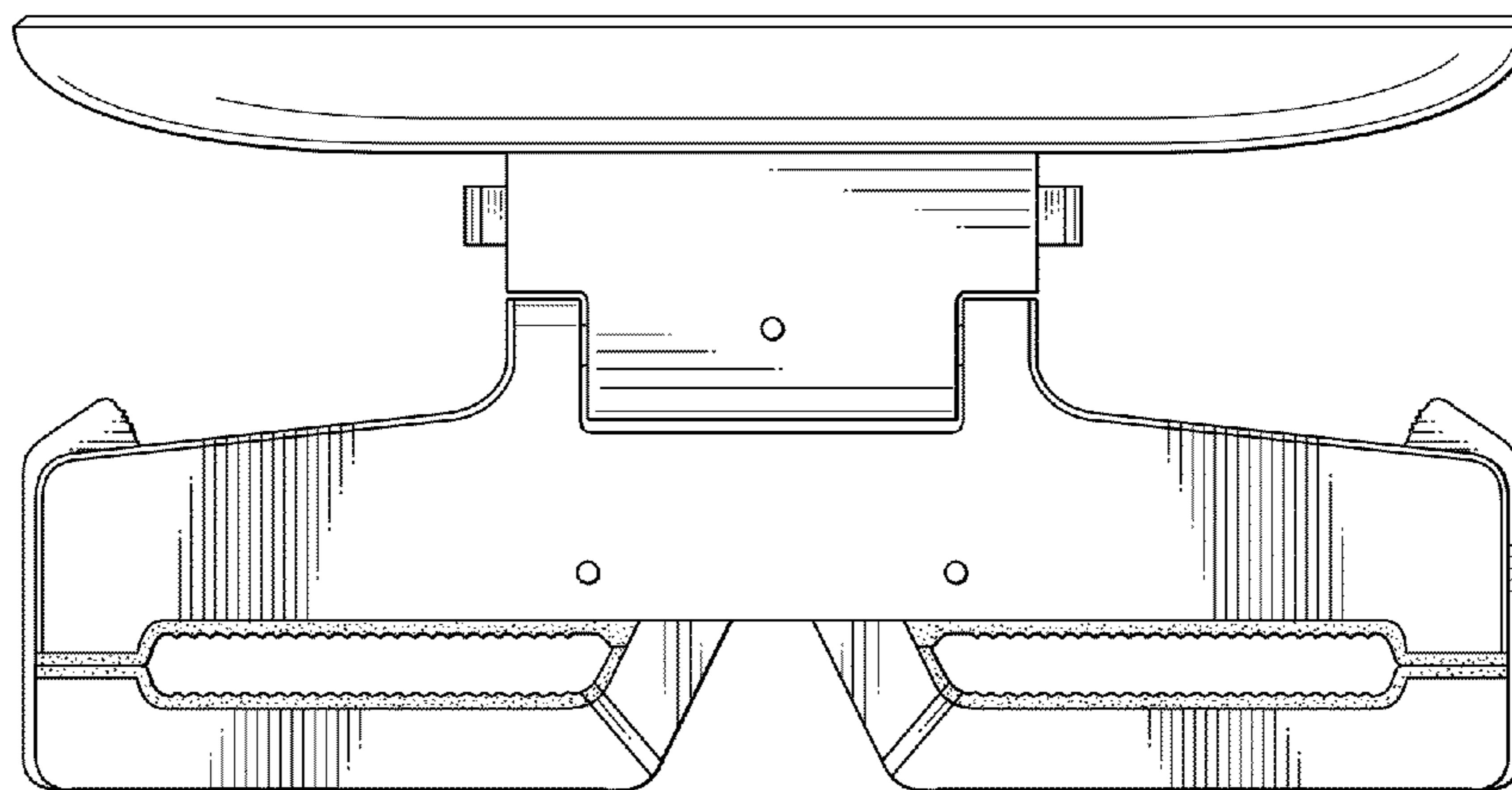


Fig. 6

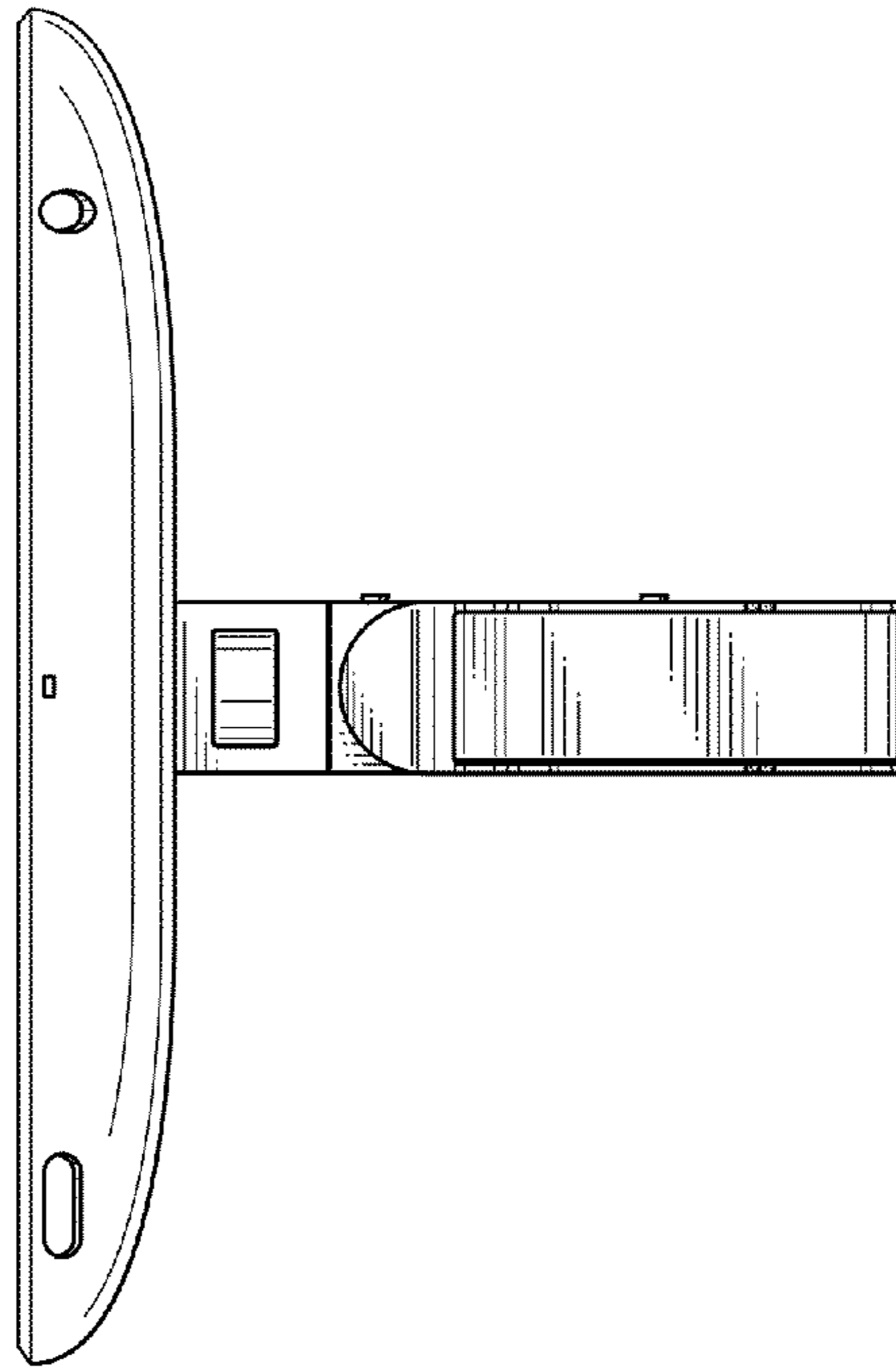
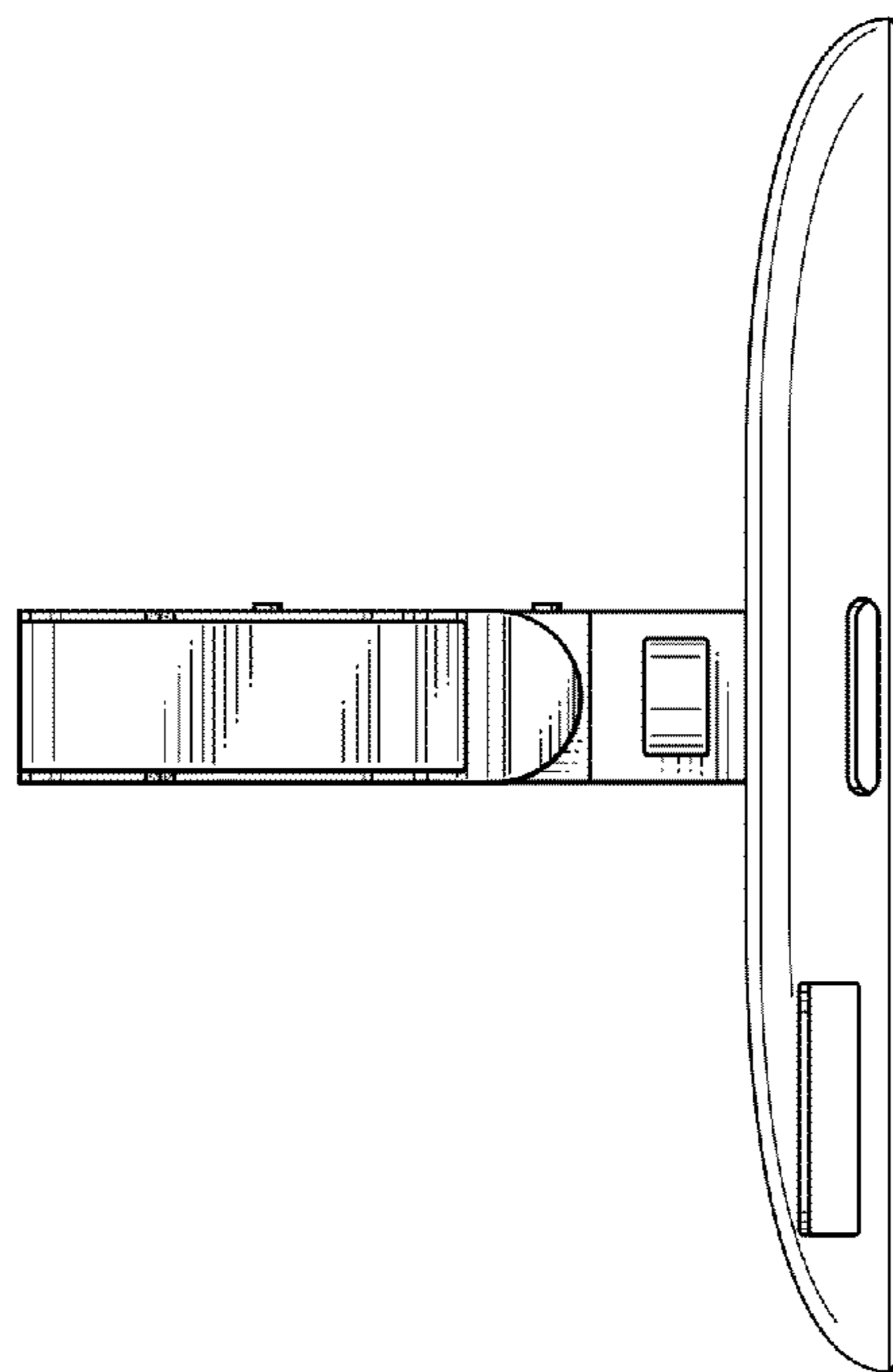


Fig. 7



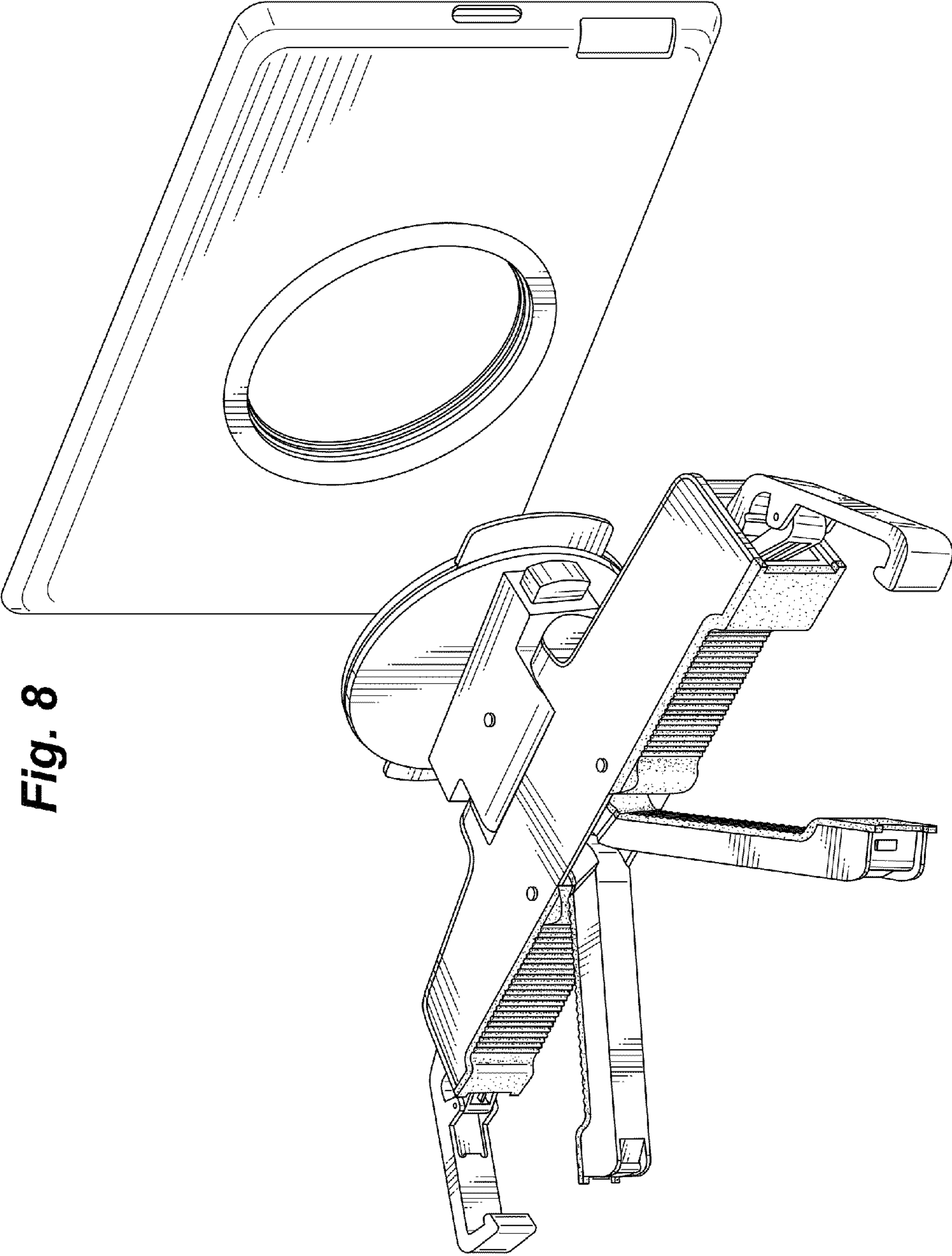


Fig. 8