



US00D670293S

(12) **United States Design Patent**  
**Shimizu et al.**

(10) **Patent No.:** **US D670,293 S**

(45) **Date of Patent:** **\*\* Nov. 6, 2012**

(54) **DIGITAL READER COVER**

(75) Inventors: **Naoto Shimizu**, San Diego, CA (US);  
**Keiichi Totsuka**, Rolling Hills Estates,  
CA (US); **Isamu Arie**, Carlsbad, CA  
(US); **Yasushi Ezure**, San Diego, CA  
(US); **Takayuki Kitahara**, San Diego,  
CA (US); **Junghee Yeo**, San Diego, CA  
(US); **Nachi Watanabe**, Tokyo (JP);  
**Satoshi Aoyagi**, Tokyo (JP)

(73) Assignee: **Sony Corporation**, Tokyo (JP)

(\*\*) Term: **14 Years**

(21) Appl. No.: **29/393,030**

(22) Filed: **May 27, 2011**

(51) **LOC (9) Cl.** ..... **14-02**

(52) **U.S. Cl.** ..... **D14/440**

(58) **Field of Classification Search** ..... D14/250,  
D14/251, 253, 240, 217, 496, 440, 203.3,  
D14/203.4, 203.5, 203.8, 432, 439, 300;  
D3/218, 215, 201; 220/4.02; 248/309.1;  
361/679.56, 679.03; 379/426, 433.11, 455;  
455/575.1, 575.8; 190/100; 206/305, 320  
See application file for complete search history.

(56) **References Cited**

**U.S. PATENT DOCUMENTS**

D286,773	S	*	11/1986	Pauser	.....	D14/299
4,718,550	A	*	1/1988	Johnson	.....	206/387.13
D306,583	S	*	3/1990	Krolopp et al.	.....	D14/137
D546,878	S	*	7/2007	Bharma	.....	D19/26
D579,975	S	*	11/2008	Brown	.....	D19/26
D600,699	S	*	9/2009	Johnston et al.	.....	D14/440
D602,017	S	*	10/2009	Andre et al.	.....	D14/341
D611,045	S	*	3/2010	Andre et al.	.....	D14/327
D637,596	S	*	5/2011	Akana et al.	.....	D14/341
D652,831	S	*	1/2012	Lee et al.	.....	D14/315

D659,139	S	*	5/2012	Gengler	.....	D14/392
D662,100	S	*	6/2012	Van Den Nieuwenhuizen	.....	D14/440
8,230,992	B2	*	7/2012	Law et al.	.....	206/320
D665,810	S	*	8/2012	Jones et al.	.....	D14/440
2001/0040561	A1	*	11/2001	Weinzierl et al.	.....	345/169
2010/0294909	A1	*	11/2010	Hauser et al.	.....	248/456
2010/0300909	A1	*	12/2010	Hung	.....	206/320
2012/0043231	A1	*	2/2012	Perrier et al.	.....	206/216

\* cited by examiner

*Primary Examiner* — Cynthia Underwood

(74) *Attorney, Agent, or Firm* — Trellis IP Law Group, PC

(57) **CLAIM**

The ornamental design for a digital reader cover, as shown and described.

**DESCRIPTION**

FIG. 1 is a perspective view of the invention illustrating the top surface.

FIG. 2 is a top plan of the invention.

FIG. 3 is a bottom plan of the invention.

FIG. 4 is a side elevational view of the invention.

FIG. 5 is side elevational view of the invention opposed to the side illustrated in FIG. 4.

FIG. 6 is an end elevational view of the invention.

FIG. 7 is an end elevational view of the invention opposed to the end illustrated in FIG. 6.

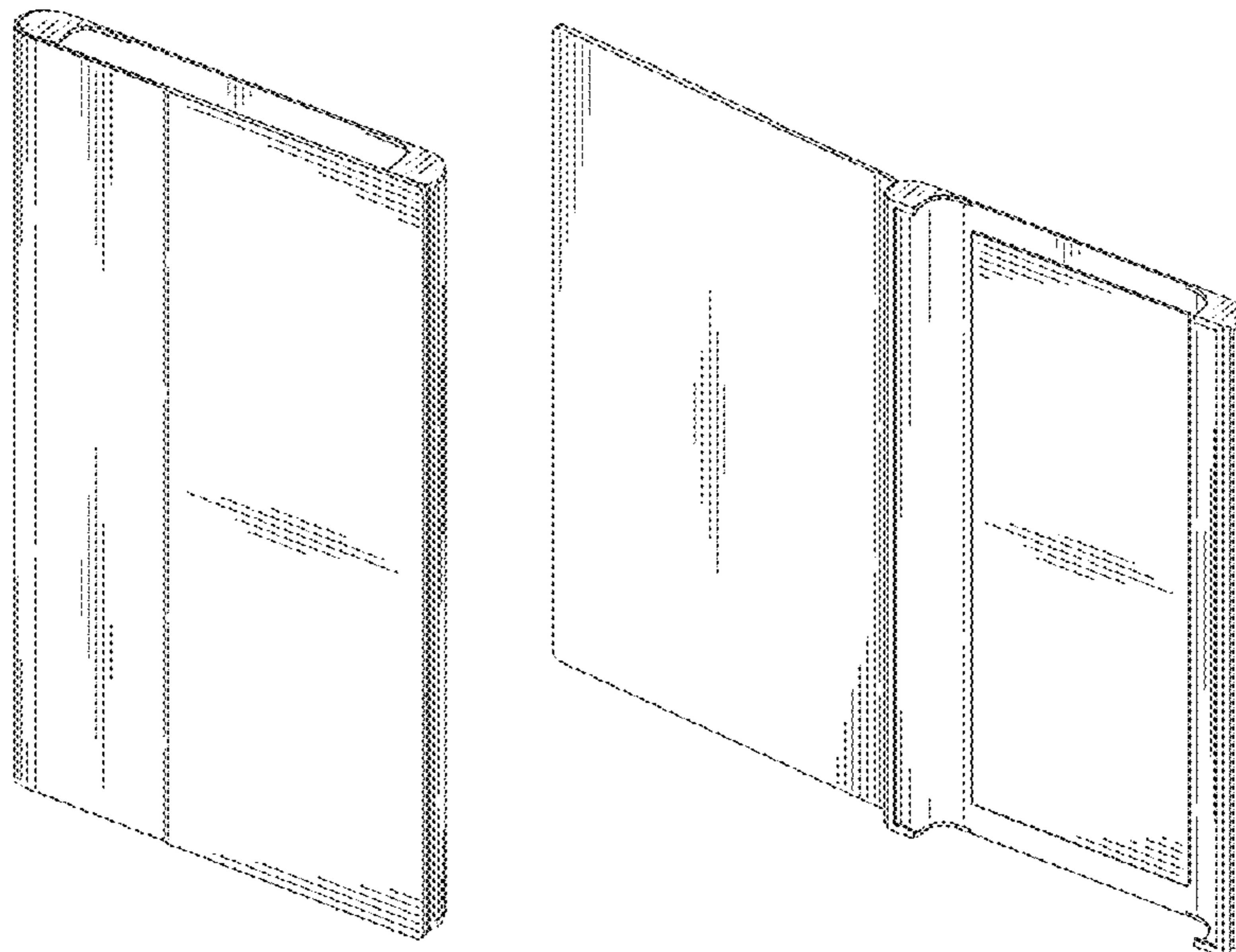
FIG. 8 is a perspective view of the invention illustrating the bottom surface.

FIG. 9 is a perspective view of the invention in an open position and having dashed lines representing part of the digital reader which is to be held by the invention.

FIG. 10 is a perspective view of the invention in an open position; and,

FIG. 11 is a side elevational view of the invention in an open position.

**1 Claim, 9 Drawing Sheets**



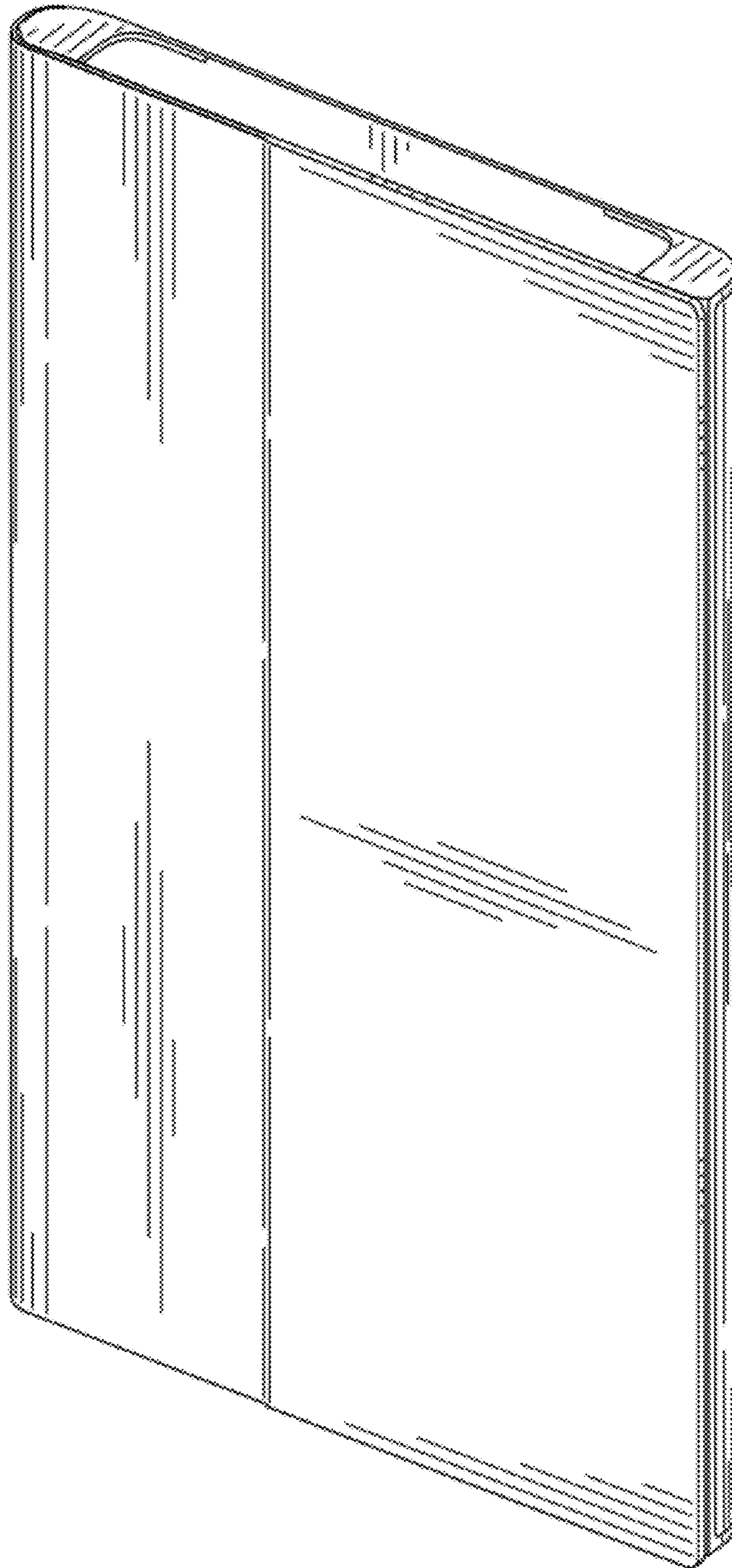


FIG. 1

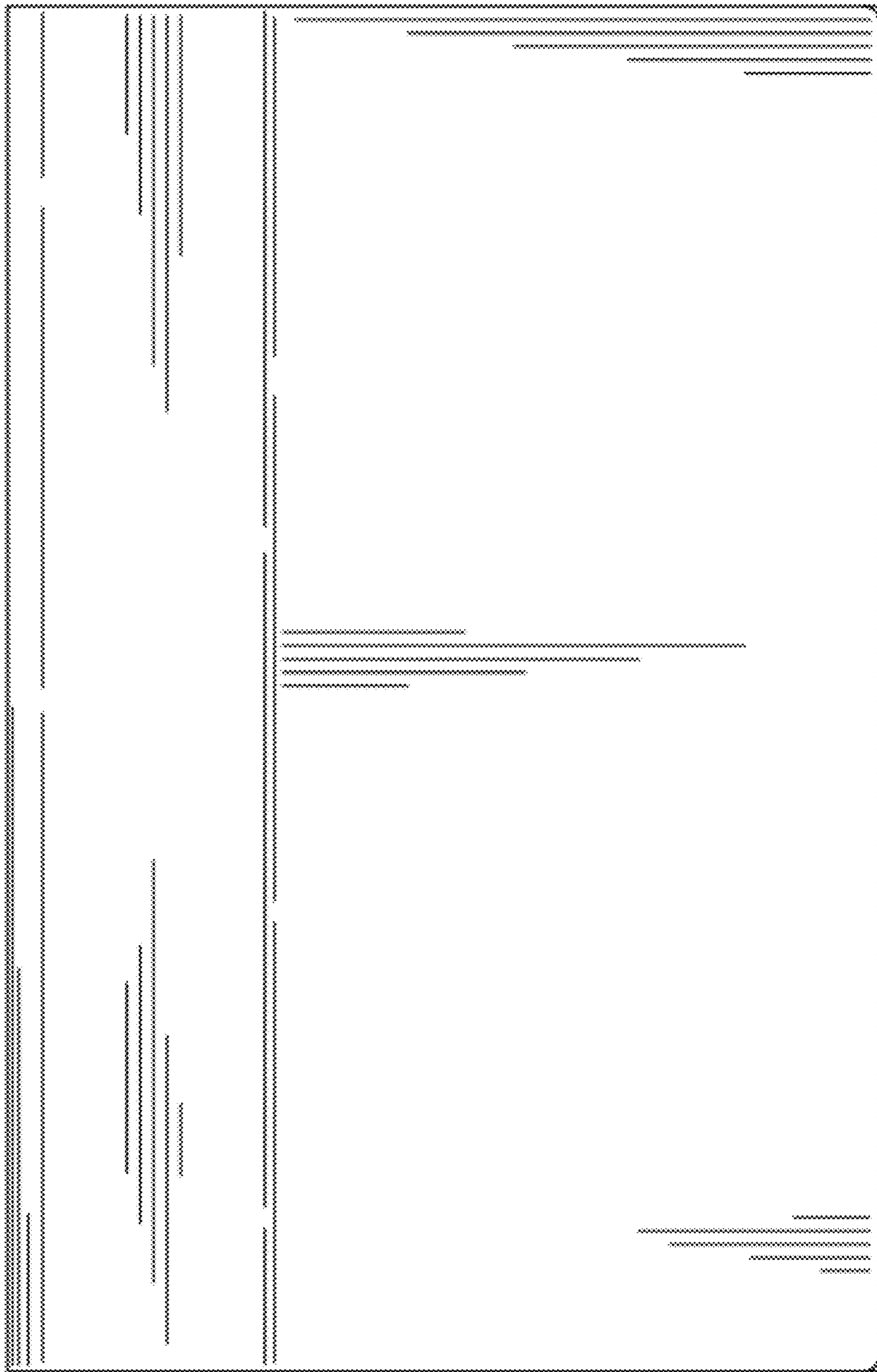


FIG. 2

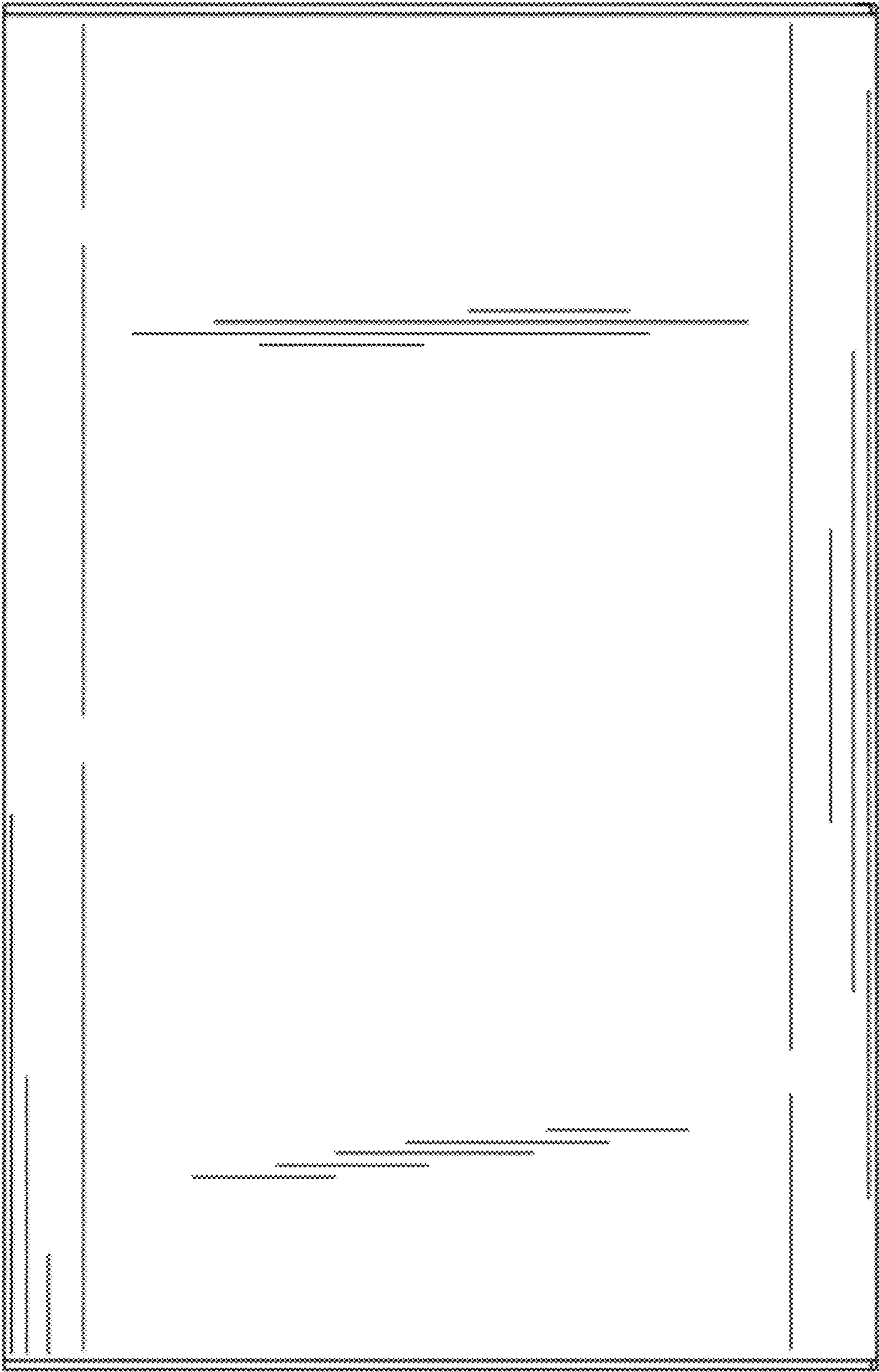


FIG. 3

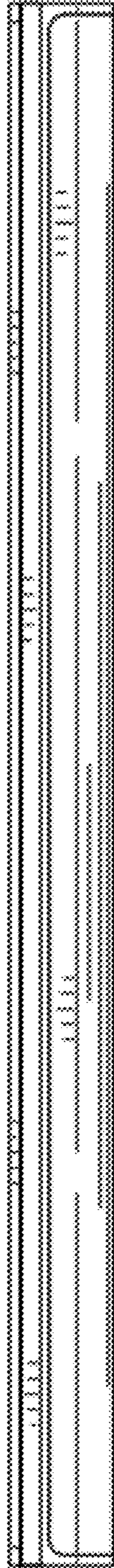


FIG. 4

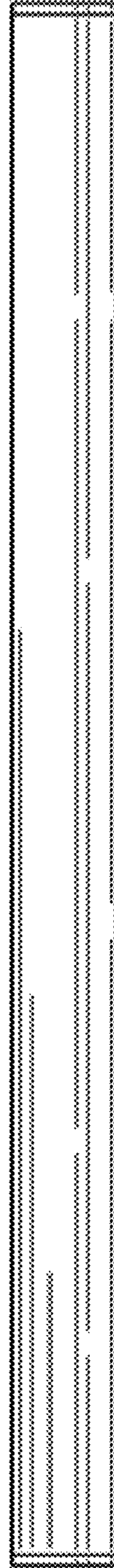


FIG. 5



FIG. 6



FIG. 7

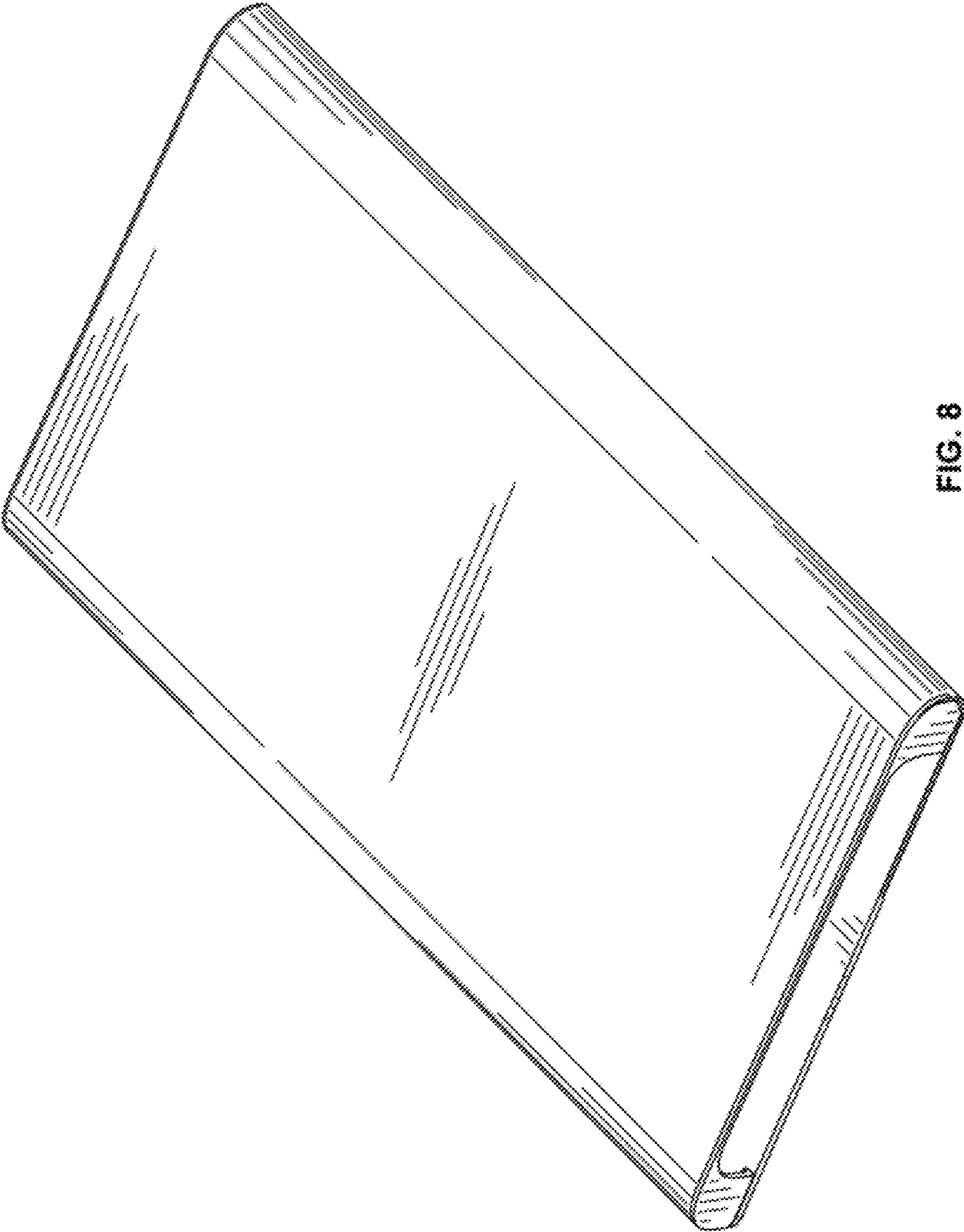


FIG. 8

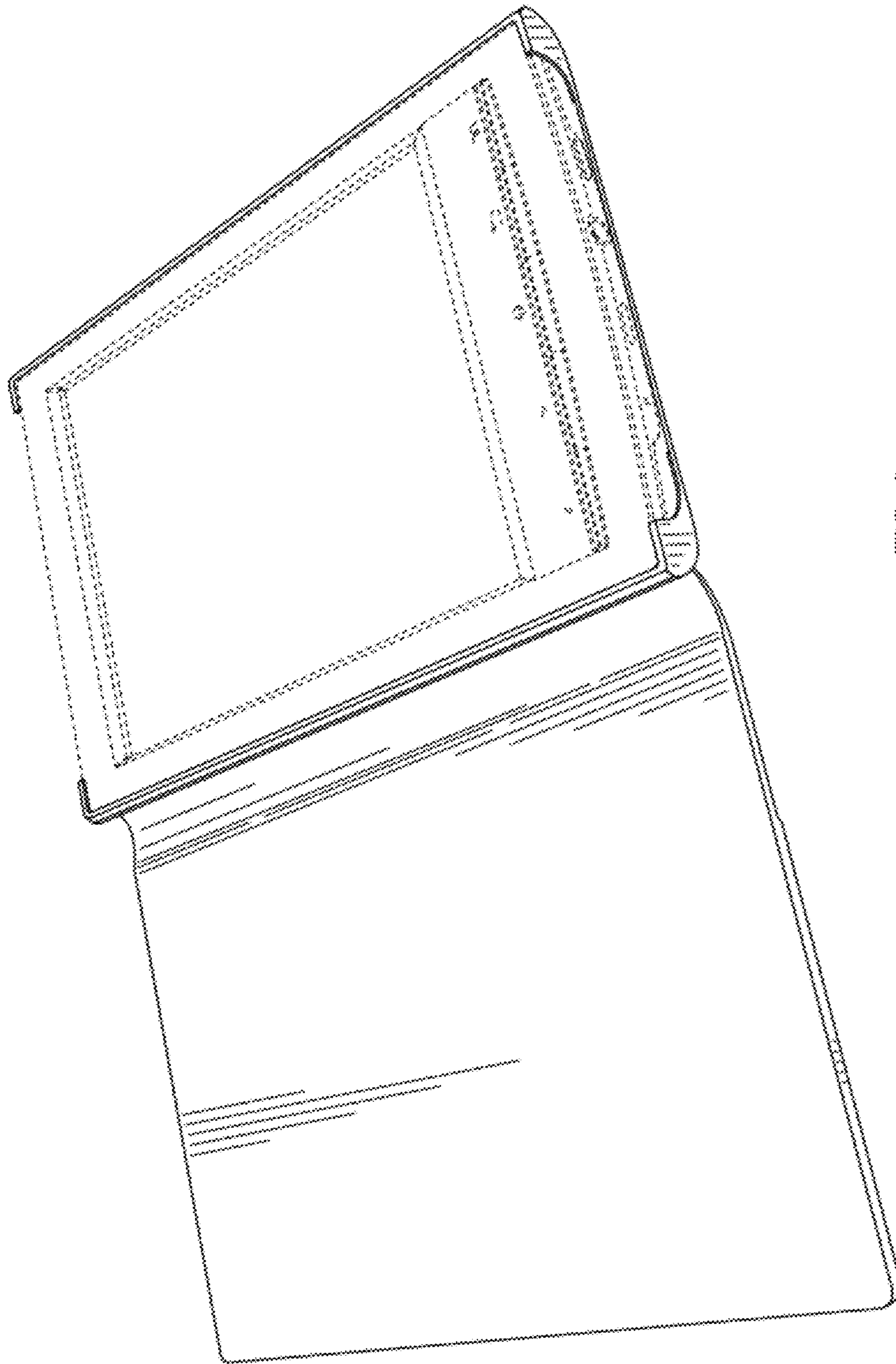


FIG. 9



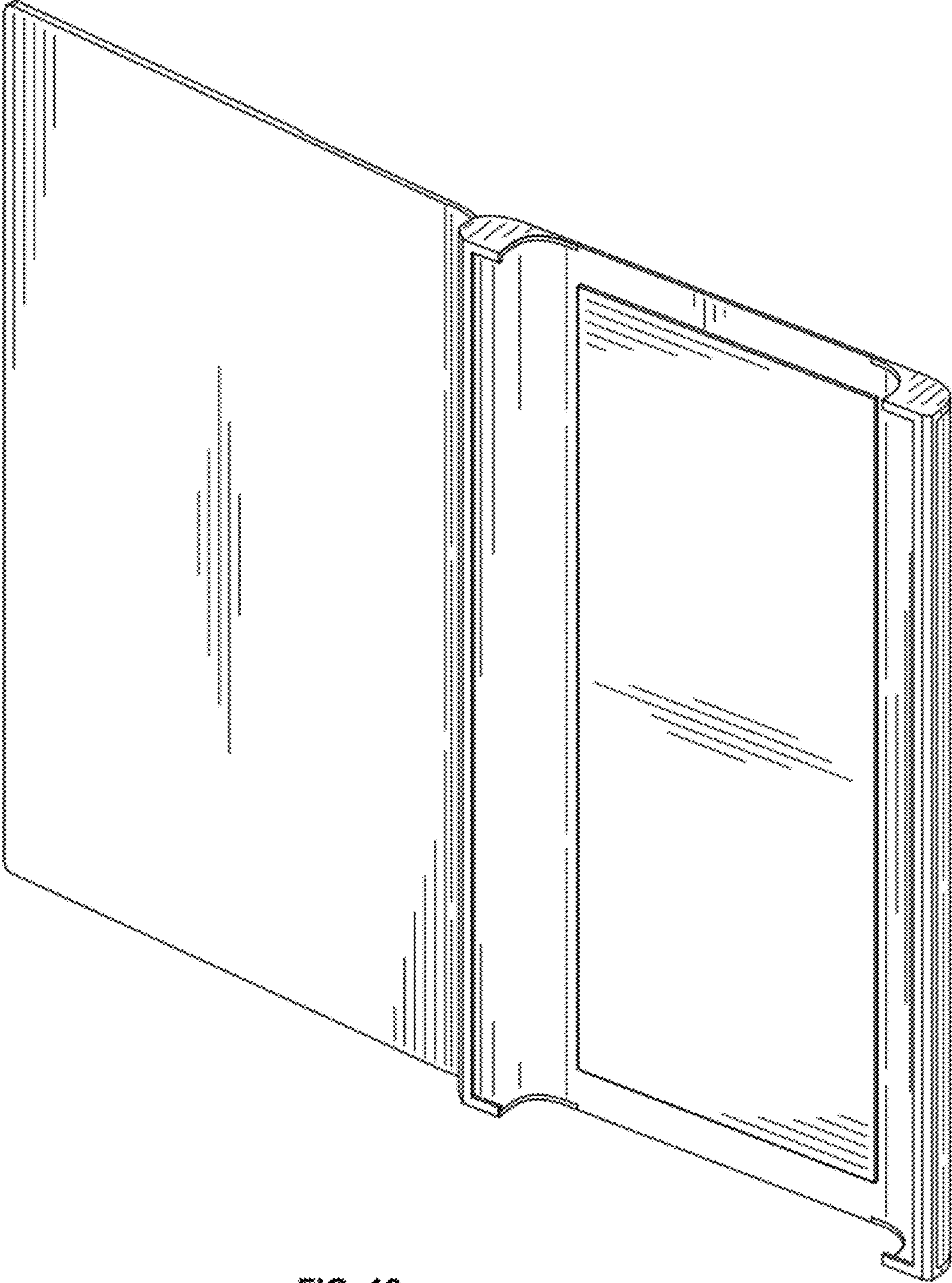


FIG. 10



FIG. 11