



US00D670290S

(12) **United States Design Patent**
Dalton

(10) **Patent No.:** **US D670,290 S**

(45) **Date of Patent:** **** Nov. 6, 2012**

(54) **USB HUB**

(75) Inventor: **Peter David Dalton**, Los Angeles, CA
(US)

(73) Assignee: **Sun Coast Merchandise Corp.**,
Commerce, CA (US)

(**) Term: **14 Years**

(21) Appl. No.: **29/395,816**

(22) Filed: **Apr. 4, 2012**

Related U.S. Application Data

(63) Continuation of application No. 13/068,846, filed on
Jan. 9, 2009.

(51) **LOC (9) Cl.** **14-02**

(52) **U.S. Cl.** **D14/433**

(58) **Field of Classification Search** D14/356,
D14/432-434, 453, 454, 511, 203.8, 209.1,
D14/238.1, 240, 125; 439/638, 928, 105,
439/502; 710/303, 304; 361/679.41, 679.55,
361/679.56; D13/110, 133, 146
See application file for complete search history.

(56) **References Cited**

U.S. PATENT DOCUMENTS

D373,587 S *	9/1996	Hon et al.	D14/191
D462,063 S *	8/2002	Bohne	D14/125
D472,555 S *	4/2003	Tomino	D14/433
D484,128 S *	12/2003	Chung	D14/356
D523,014 S *	6/2006	Liu et al.	D14/433
D537,036 S *	2/2007	Chen	D14/433

D559,848 S *	1/2008	Siu	D14/433
D560,165 S *	1/2008	Matityahu et al.	D13/133
D570,844 S *	6/2008	Liu et al.	D14/433
D575,785 S *	8/2008	Chang	D14/432
D576,166 S *	9/2008	Mori et al.	D14/433
D593,034 S *	5/2009	Mori et al.	D13/146
D604,725 S *	11/2009	Chen	D14/240
D619,960 S *	7/2010	Winkler	D13/110
D620,485 S *	7/2010	Corrigan et al.	D14/240
2003/0216069 A1 *	11/2003	Huang	439/105

* cited by examiner

Primary Examiner — Austin Murphy

(74) *Attorney, Agent, or Firm* — Steven E. Shapiro

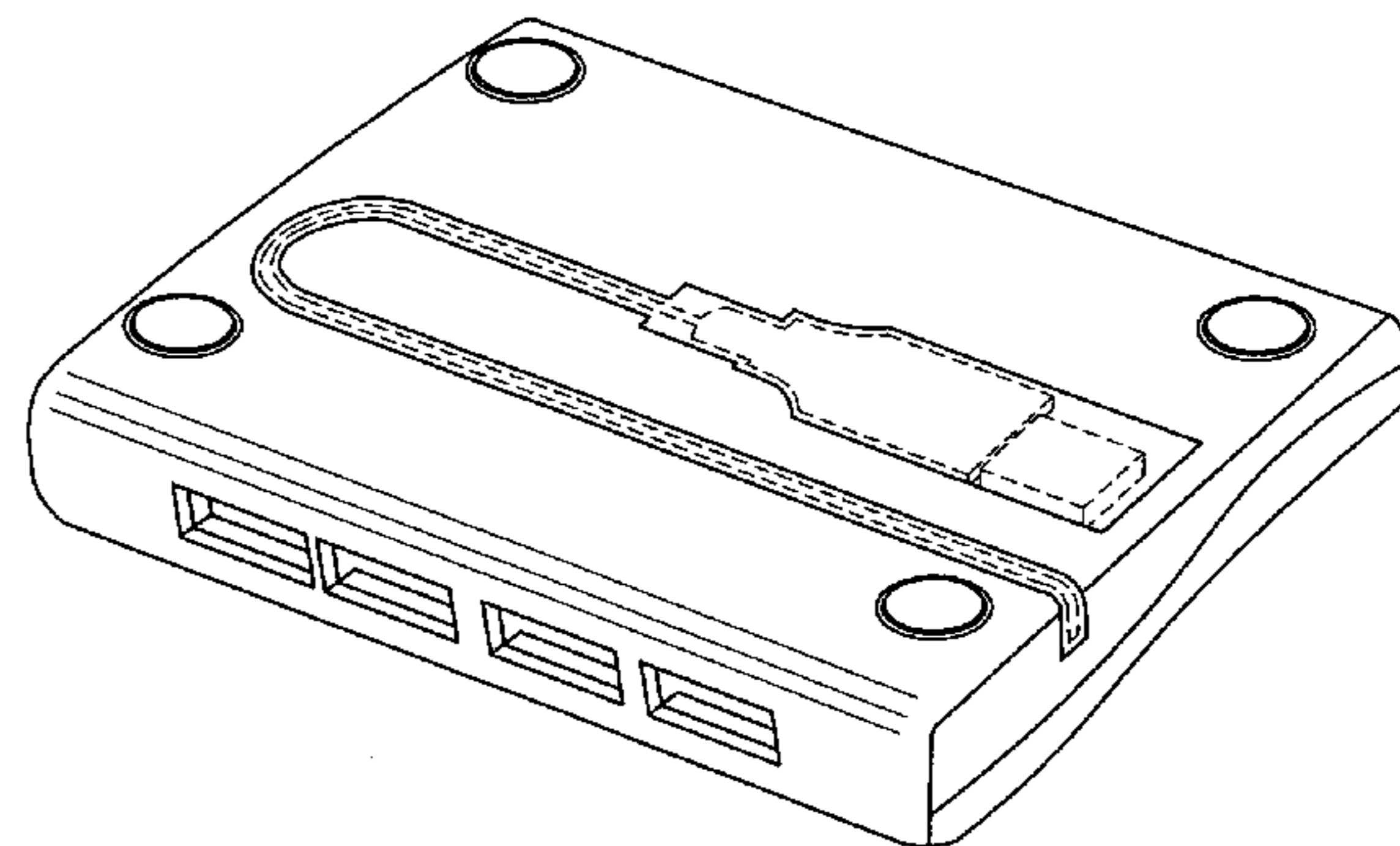
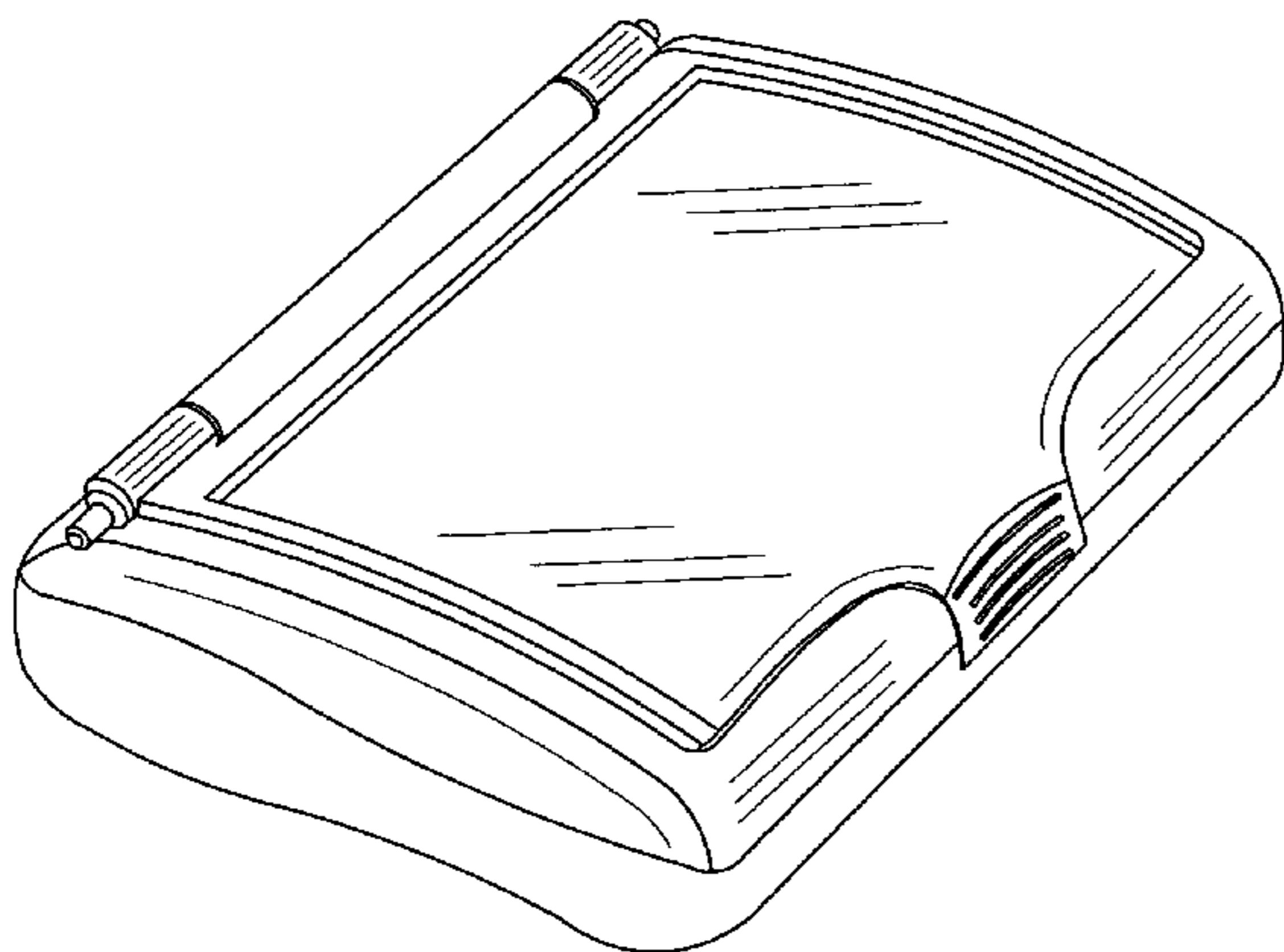
(57) **CLAIM**

The ornamental design for a USB hub, as shown and
described.

DESCRIPTION

FIG. 1 is a front perspective view of a USB hub;
FIG. 2 is a side perspective view of a USB hub;
FIG. 3 is a rear perspective view of the USB hub;
FIG. 4 is a bottom perspective view of the USB hub;
FIG. 5 is a front view of the USB hub;
FIG. 6 is a rear view of the USB hub;
FIG. 7 is a top plan view of the USB hub;
FIG. 8 is a bottom plan view of the USB hub;
FIG. 9 is a right side view of the USB hub; and,
FIG. 10 is a left side view of the USB hub.
The broken lines shown in the drawings represent portions of
the USB hub that form no part of the claimed design.

1 Claim, 9 Drawing Sheets



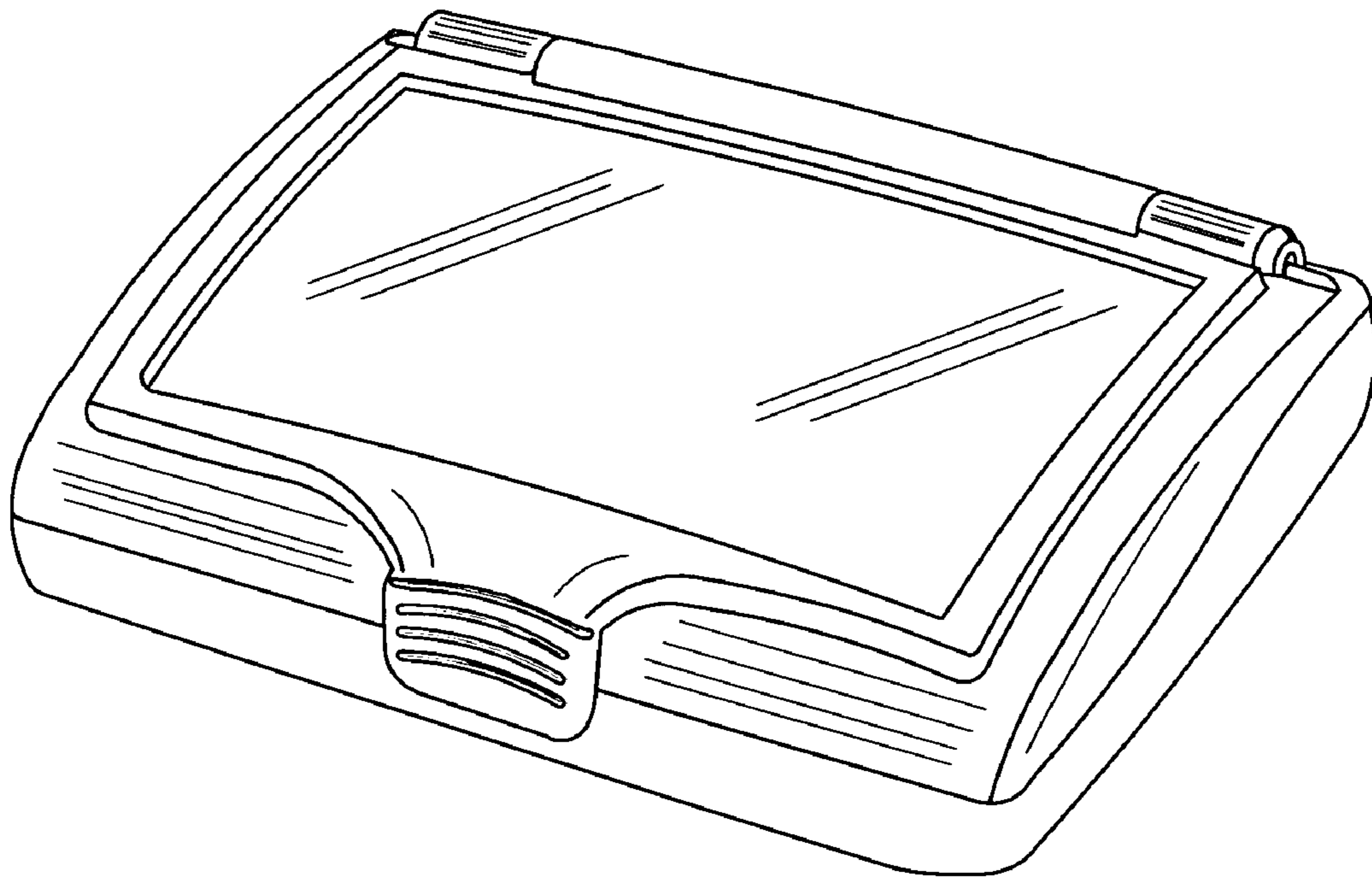


FIG. 1

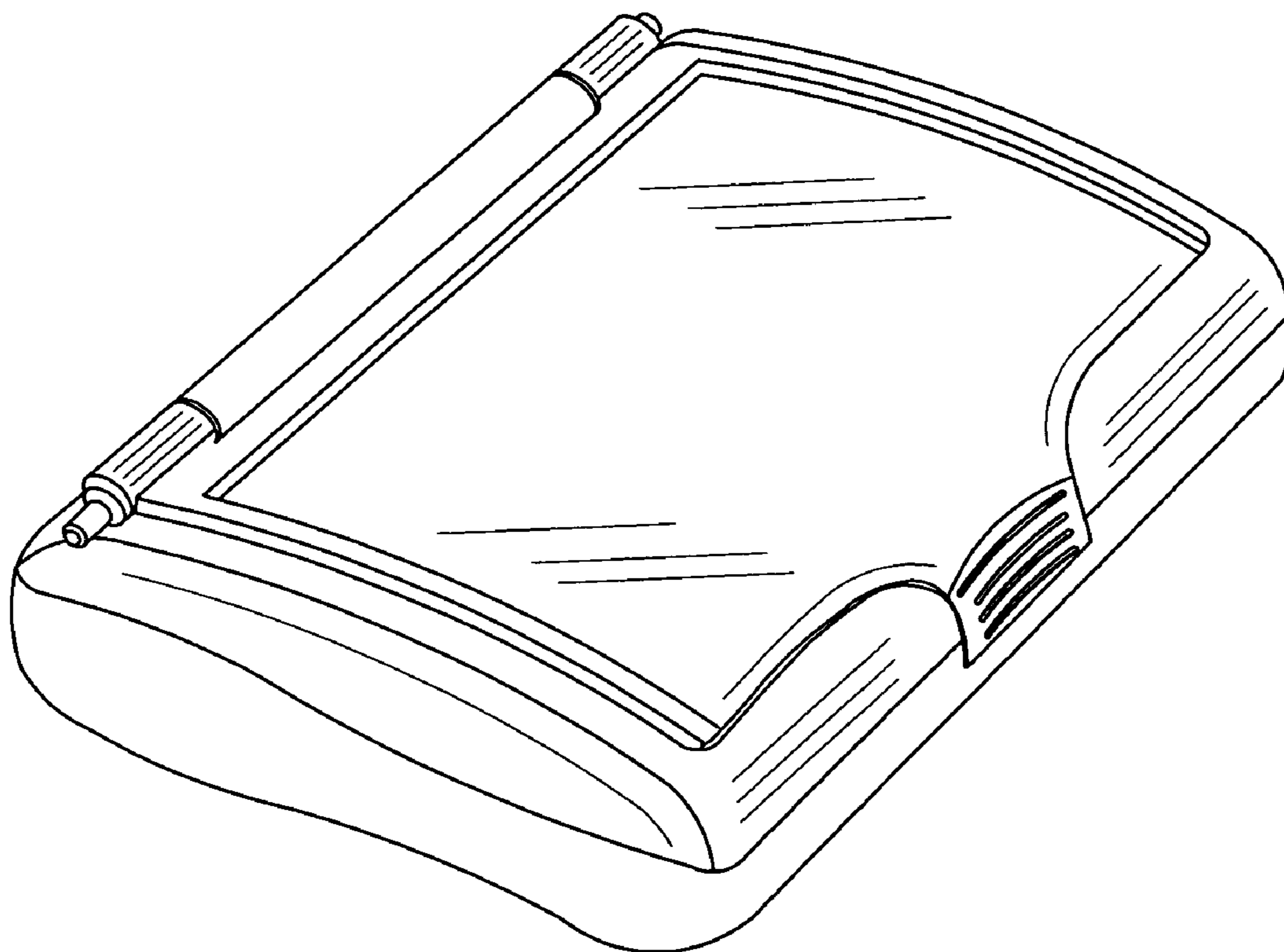


FIG. 2

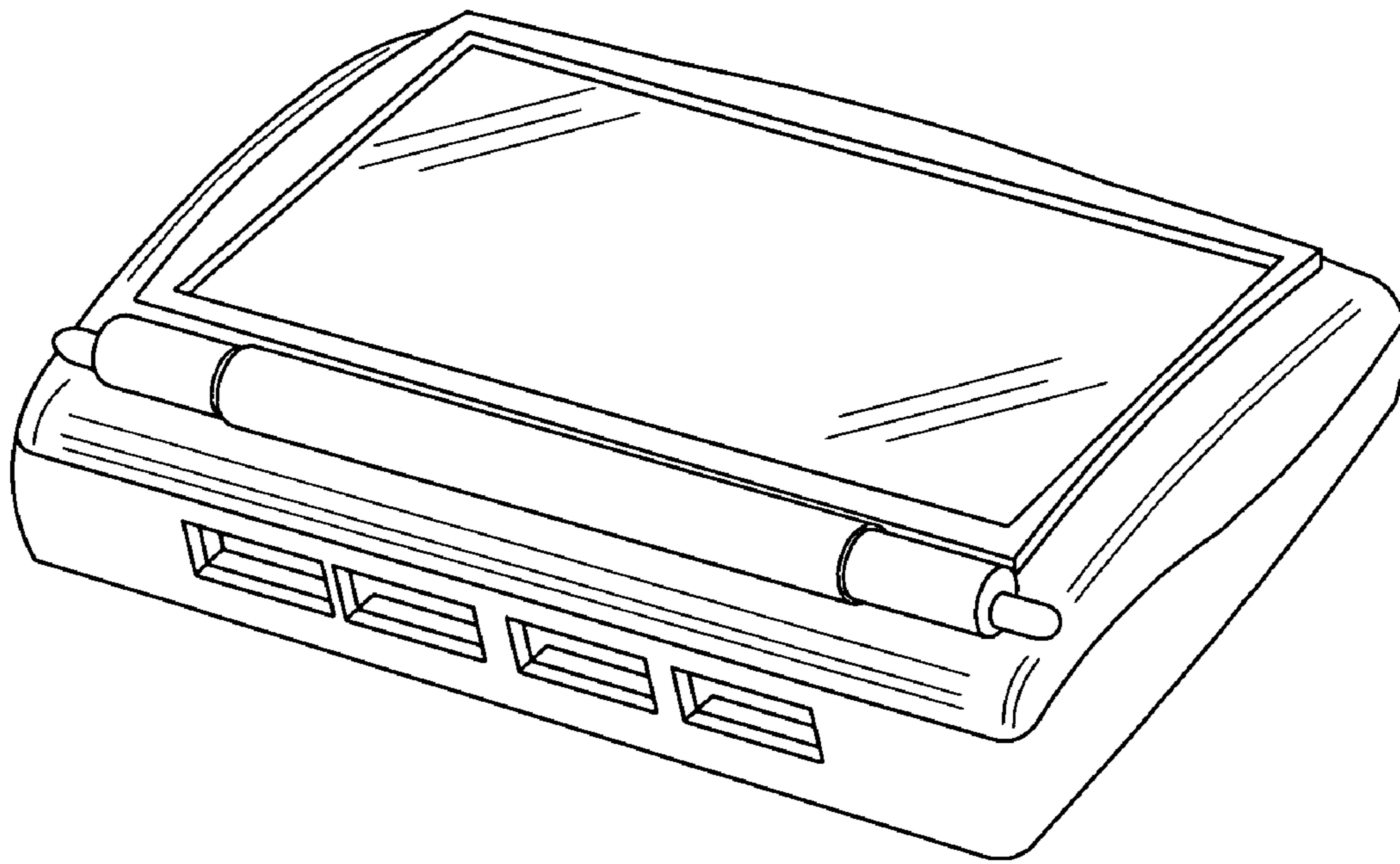


FIG. 3

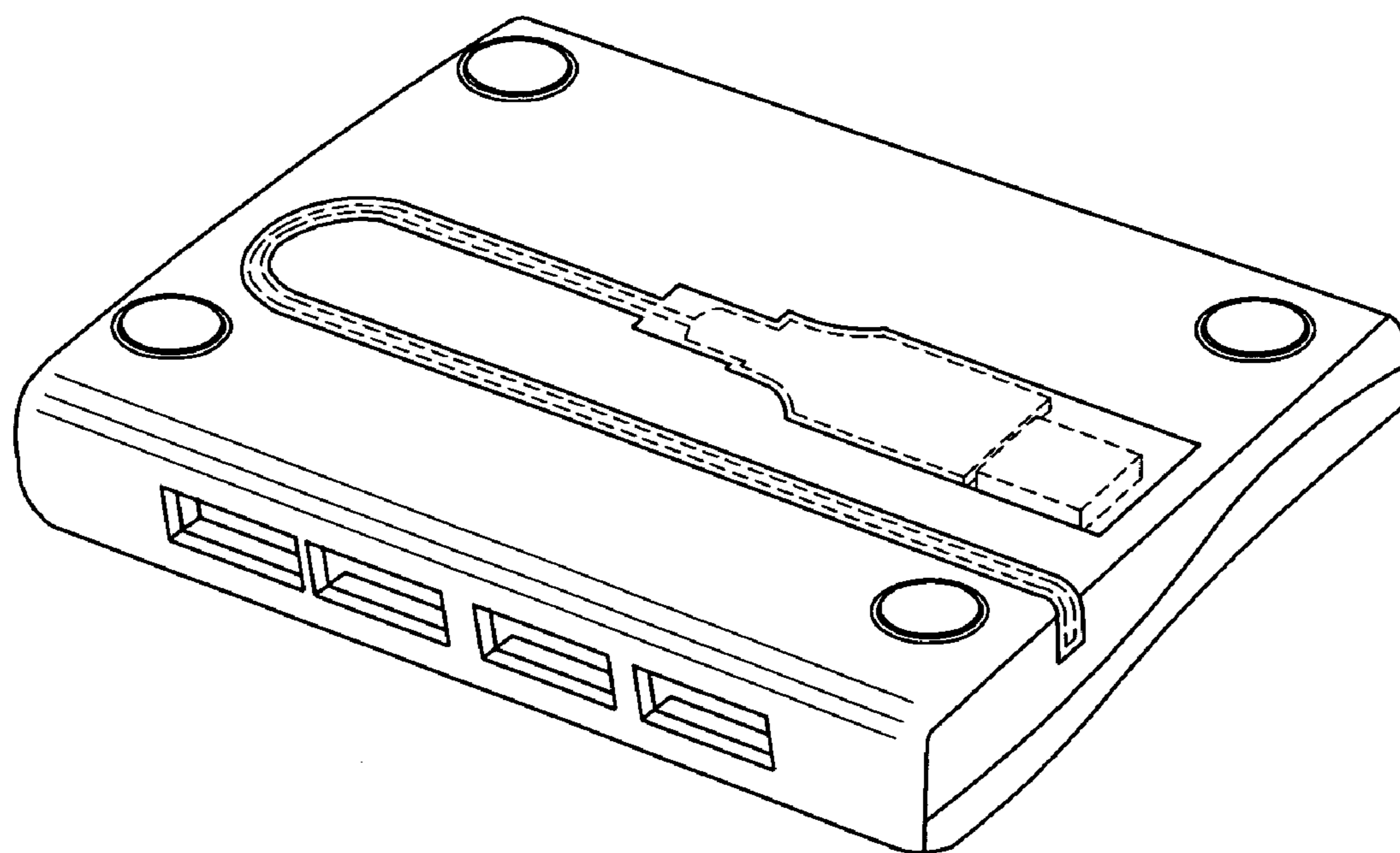


FIG. 4

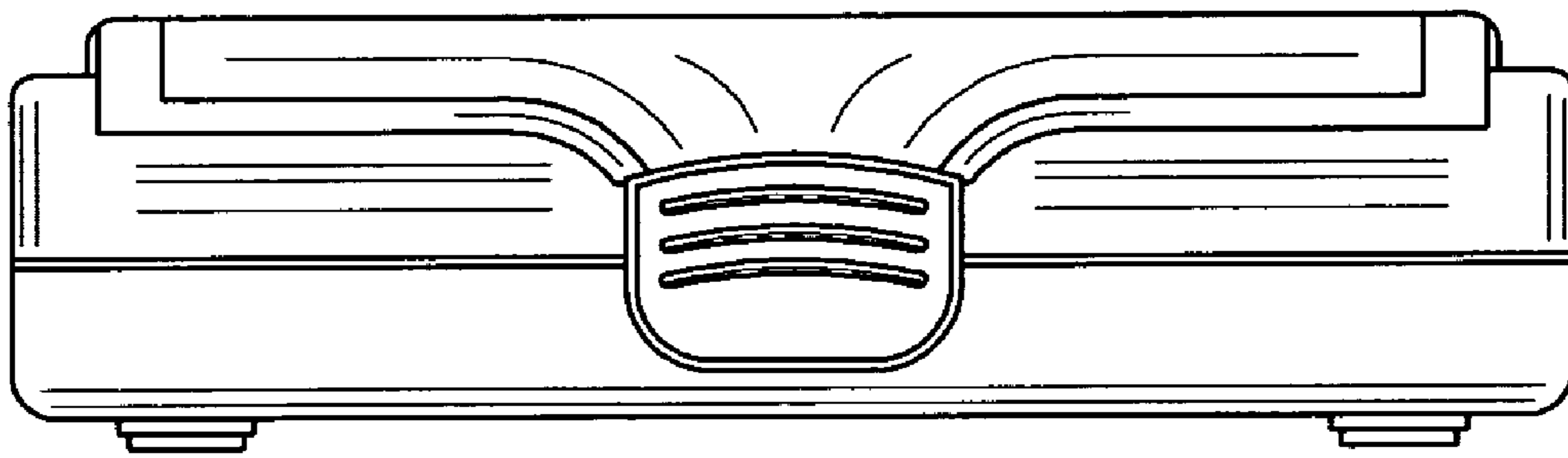


FIG. 5

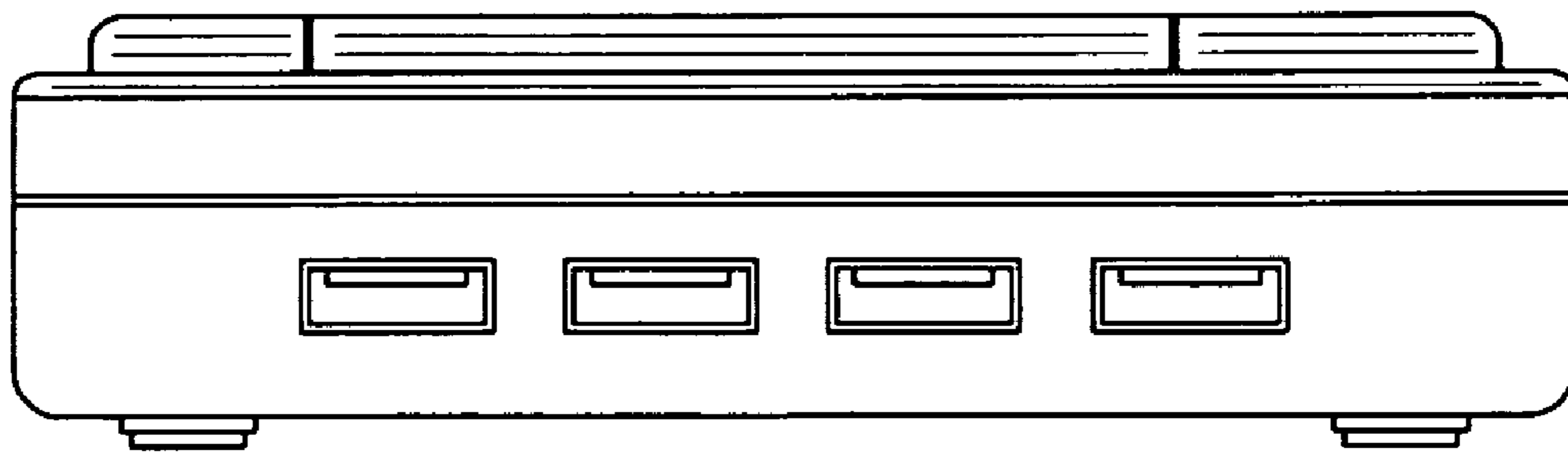


FIG. 6

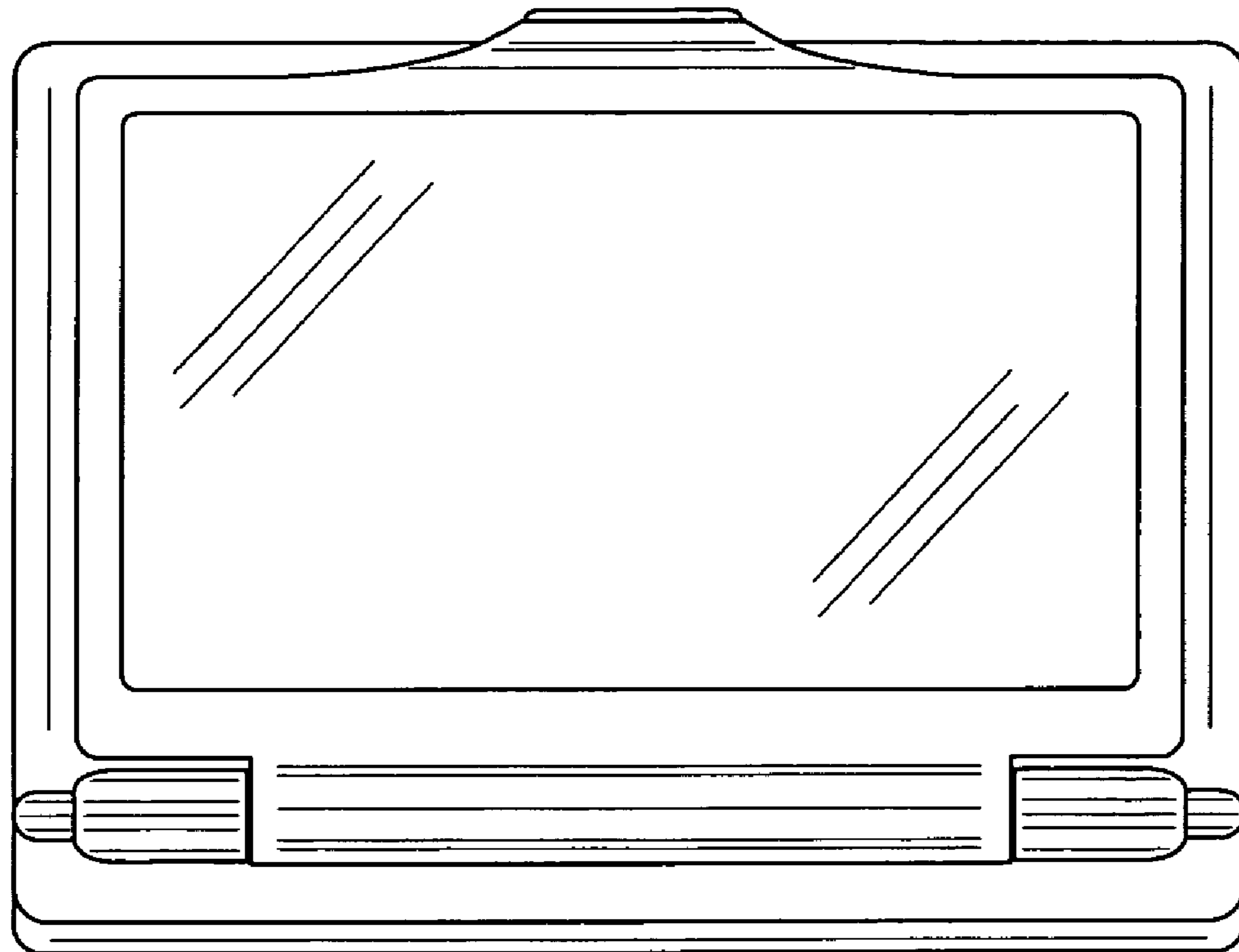


FIG. 7

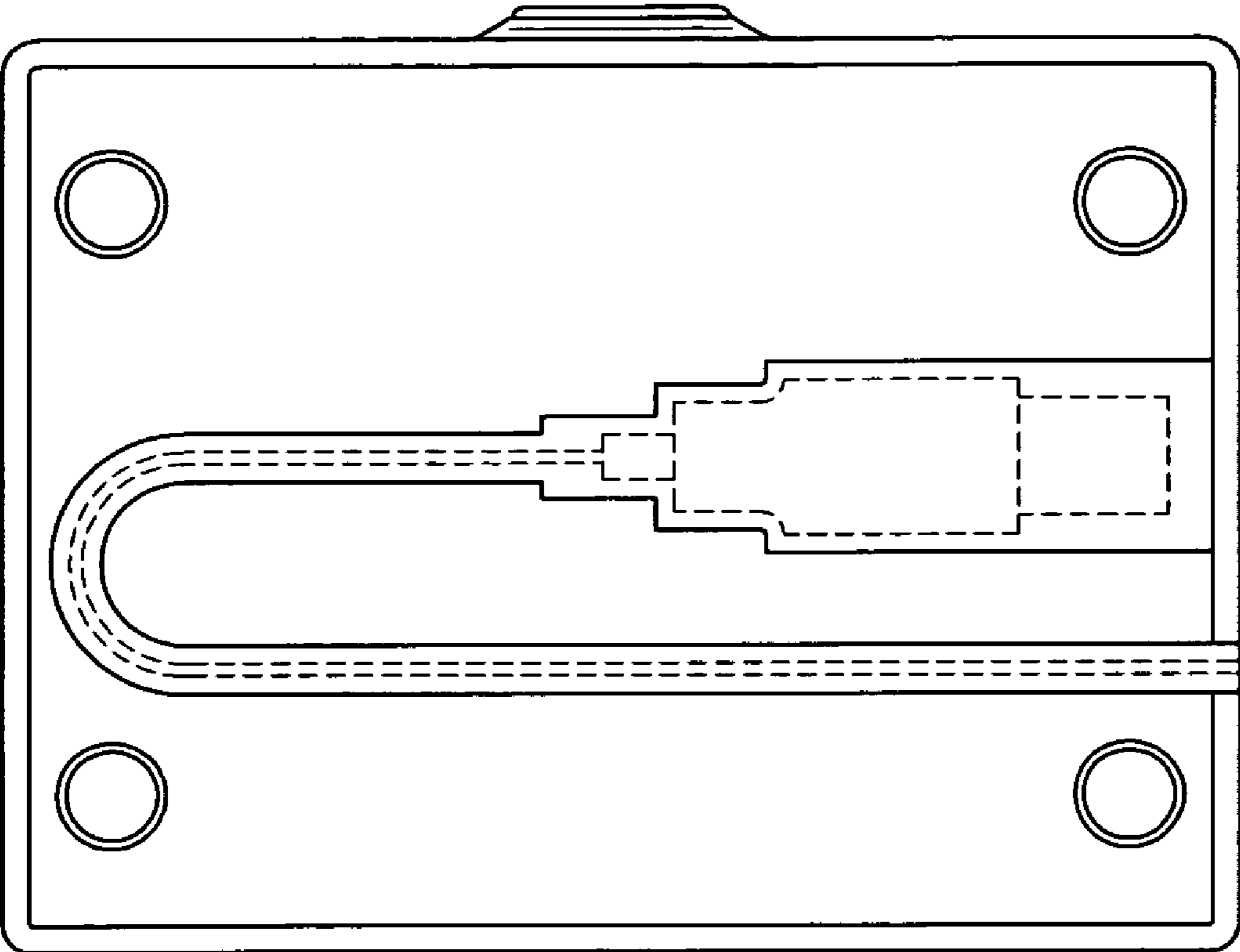


FIG. 8

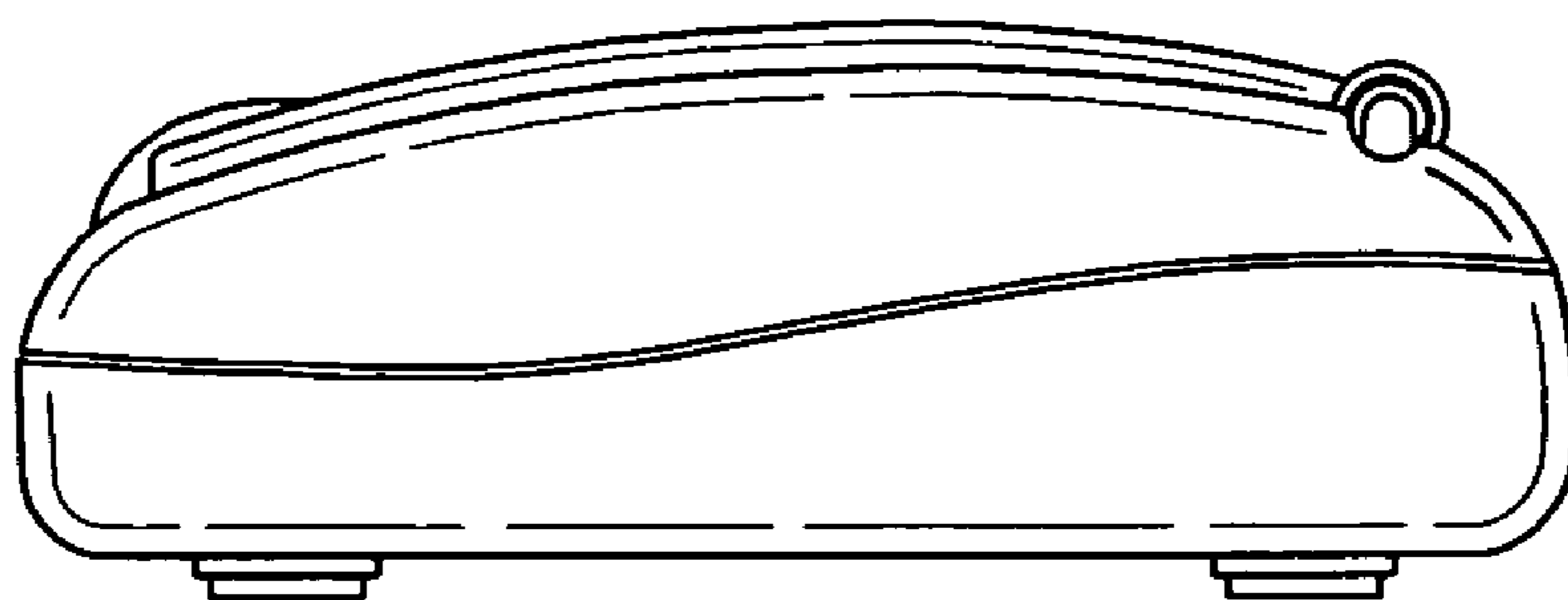


FIG. 9

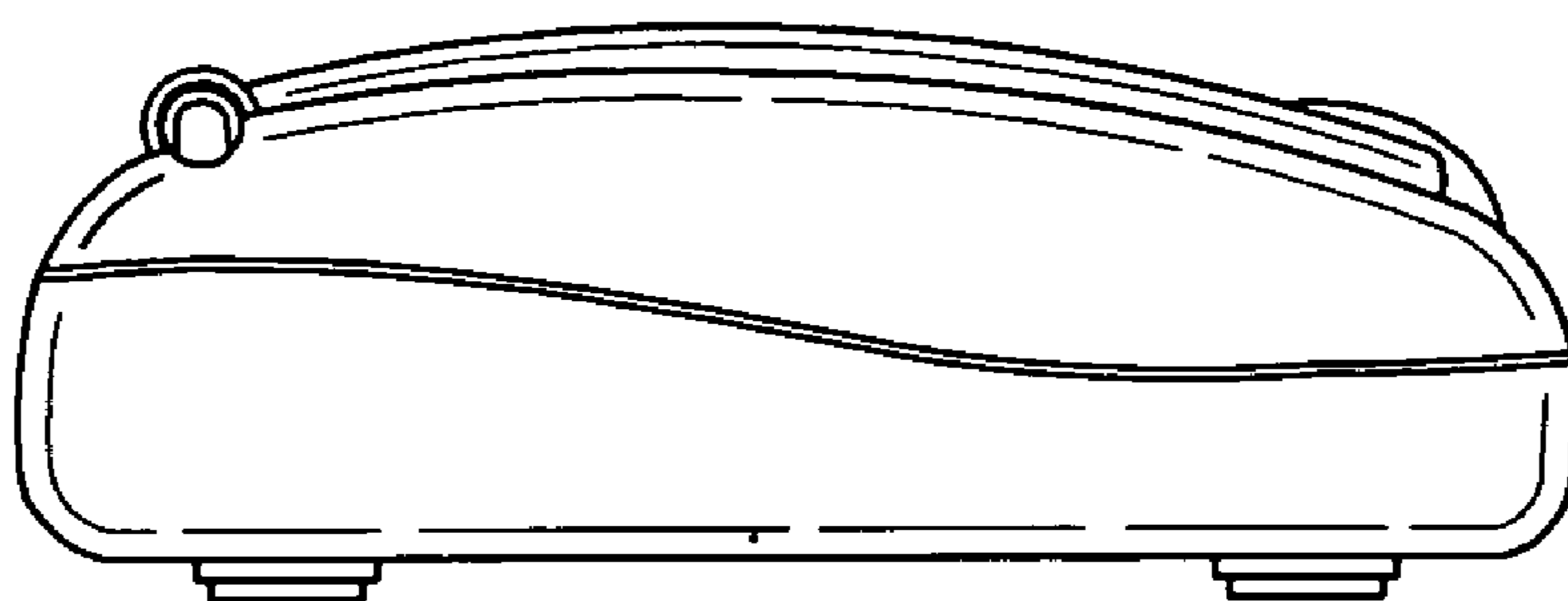


FIG. 10