



US00D670283S

(12) **United States Design Patent**  
**Wikel**

(10) **Patent No.:** **US D670,283 S**

(45) **Date of Patent:** **\*\* Nov. 6, 2012**

(54) **DEVICE DOCK**

(75) Inventor: **Harold L. Wikel**, Muskego, WI (US)

(73) Assignee: **Motorola Mobility LLC**, Libertyville, IL (US)

(\*\*) Term: **14 Years**

(21) Appl. No.: **29/399,843**

(22) Filed: **Aug. 19, 2011**

(51) **LOC (9) Cl.** ..... **14-03**

(52) **U.S. Cl.** ..... **D14/253**

(58) **Field of Classification Search** ..... D14/140,  
D14/142, 149, 217, 240, 251–253, 434, 447,  
D14/452, 454; D8/363, 373; D12/415;  
248/206.2–206.4, 220.21, 279.1; 379/426,  
379/446, 454, 455; D13/107–108; D16/242  
See application file for complete search history.

(56) **References Cited**

U.S. PATENT DOCUMENTS

D488,440 S *	4/2004	Senda	.....	D13/108
D580,856 S *	11/2008	Haspil et al.	.....	D13/108
D596,621 S *	7/2009	Andre et al.	.....	D14/217
D597,081 S *	7/2009	Andre et al.	.....	D14/217
D625,729 S *	10/2010	McNames et al.	.....	D14/434
D628,562 S *	12/2010	Akana et al.	.....	D14/217
D631,010 S *	1/2011	Smith et al.	.....	D13/108
D633,476 S *	3/2011	Andre et al.	.....	D14/217
D634,270 S *	3/2011	Brickstad	.....	D13/108
D634,304 S *	3/2011	Andre et al.	.....	D14/217
D638,831 S *	5/2011	Paradise	.....	D14/253
D640,699 S *	6/2011	McParland	.....	D14/434
D656,930 S *	4/2012	Son	.....	D14/253

\* cited by examiner

*Primary Examiner* — Raphael Barkai  
*Assistant Examiner* — Randall Gholson

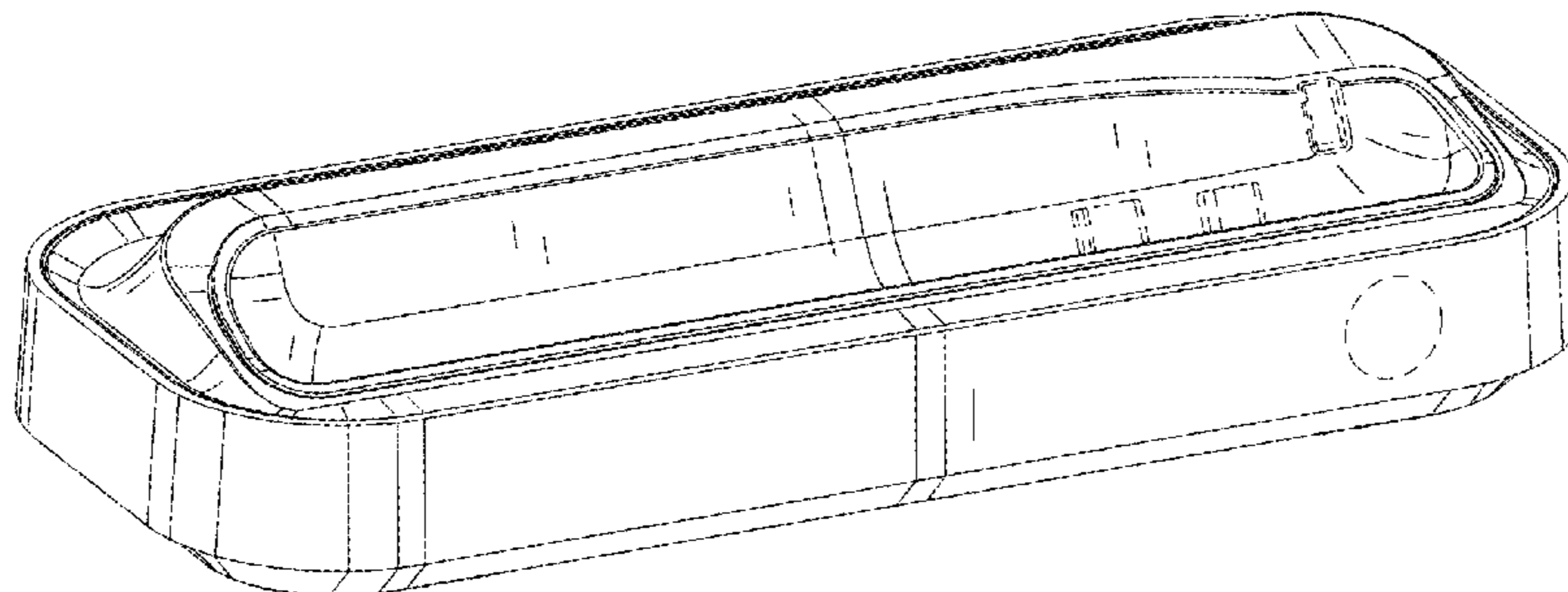
(57) **CLAIM**

The ornamental design for a device dock, as shown and described.

**DESCRIPTION**

FIG. 1 is a front perspective view of a first embodiment of an ornamental design for a device dock;  
 FIG. 2 is a rear perspective view of the first embodiment thereof;  
 FIG. 3 is a bottom view of the first embodiment thereof;  
 FIG. 4 is a top view of the first embodiment thereof;  
 FIG. 5 is a first side view of the first embodiment thereof;  
 FIG. 6 is a second side view of the first embodiment thereof;  
 FIG. 7 is a rear view of the first embodiment thereof; and  
 FIG. 8 is a front view of the first embodiment thereof.  
 FIG. 9 is a front perspective view of a second embodiment of an ornamental design for a device dock;  
 FIG. 10 is a rear perspective view of the second embodiment thereof;  
 FIG. 11 is a bottom view of the second embodiment thereof;  
 FIG. 12 is a top view of the second embodiment thereof;  
 FIG. 13 is a first side view of the second embodiment thereof;  
 FIG. 14 is a second side view of the second embodiment thereof;  
 FIG. 15 is a rear view of the second embodiment thereof; and,  
 FIG. 16 is a front view of the second embodiment thereof.  
 The broken lines shown in FIGS. 1-8, that are immediately adjacent to the shaded areas, and define unshaded regions, represent the bounds of the first embodiment, while all other broken lines are directed to environment and are for illustrative purposes only; the broken lines form no part of the first embodiment.

**1 Claim, 10 Drawing Sheets**



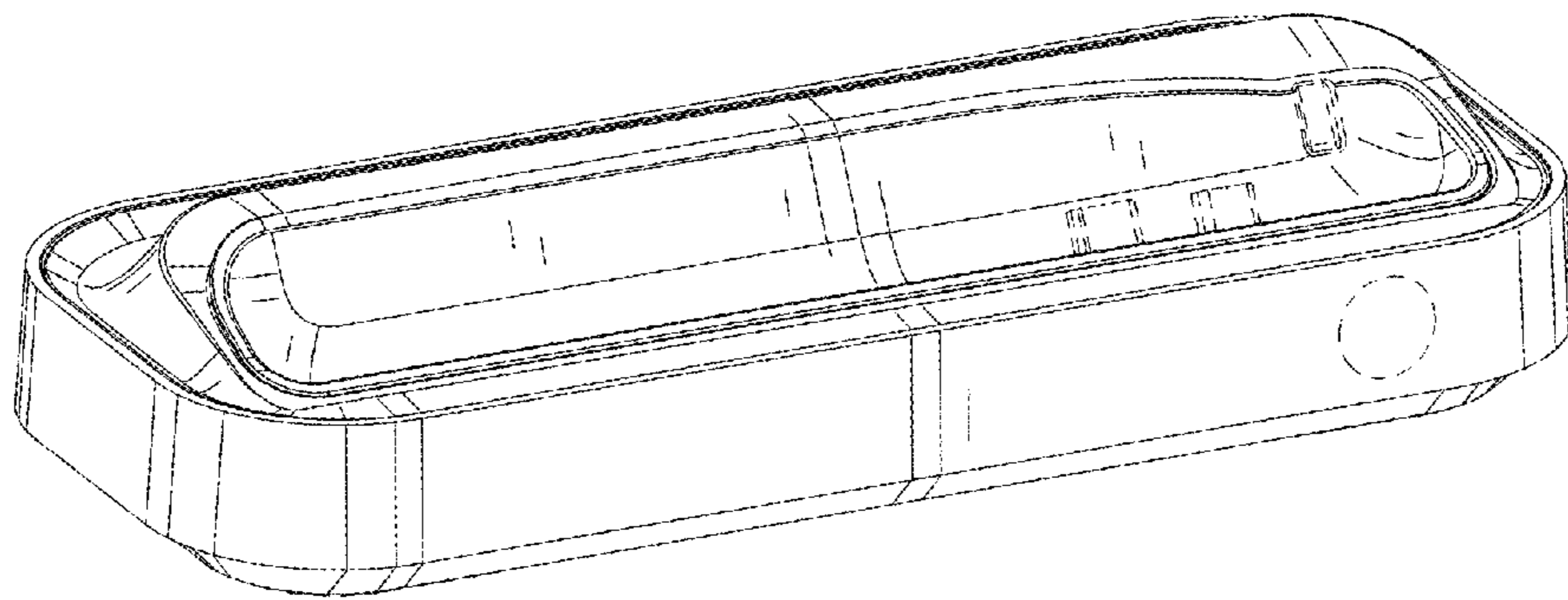


FIG. 1

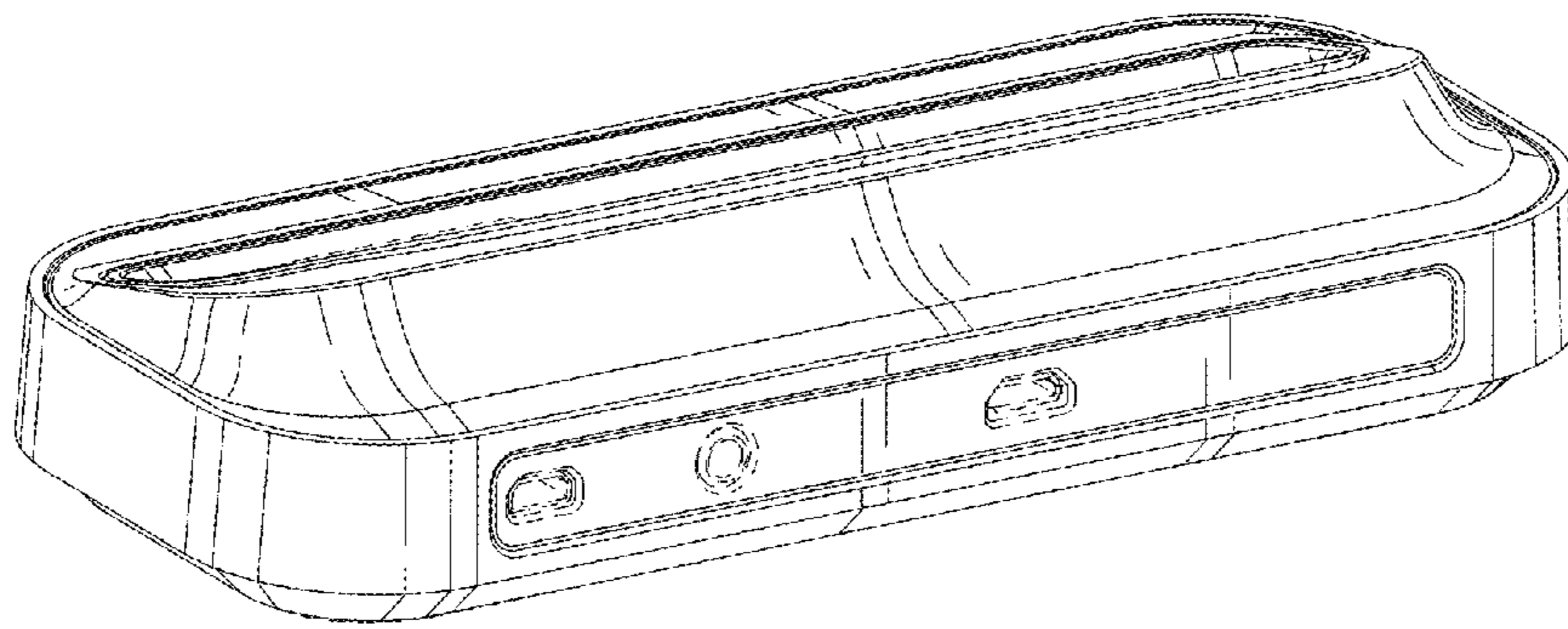


FIG. 2

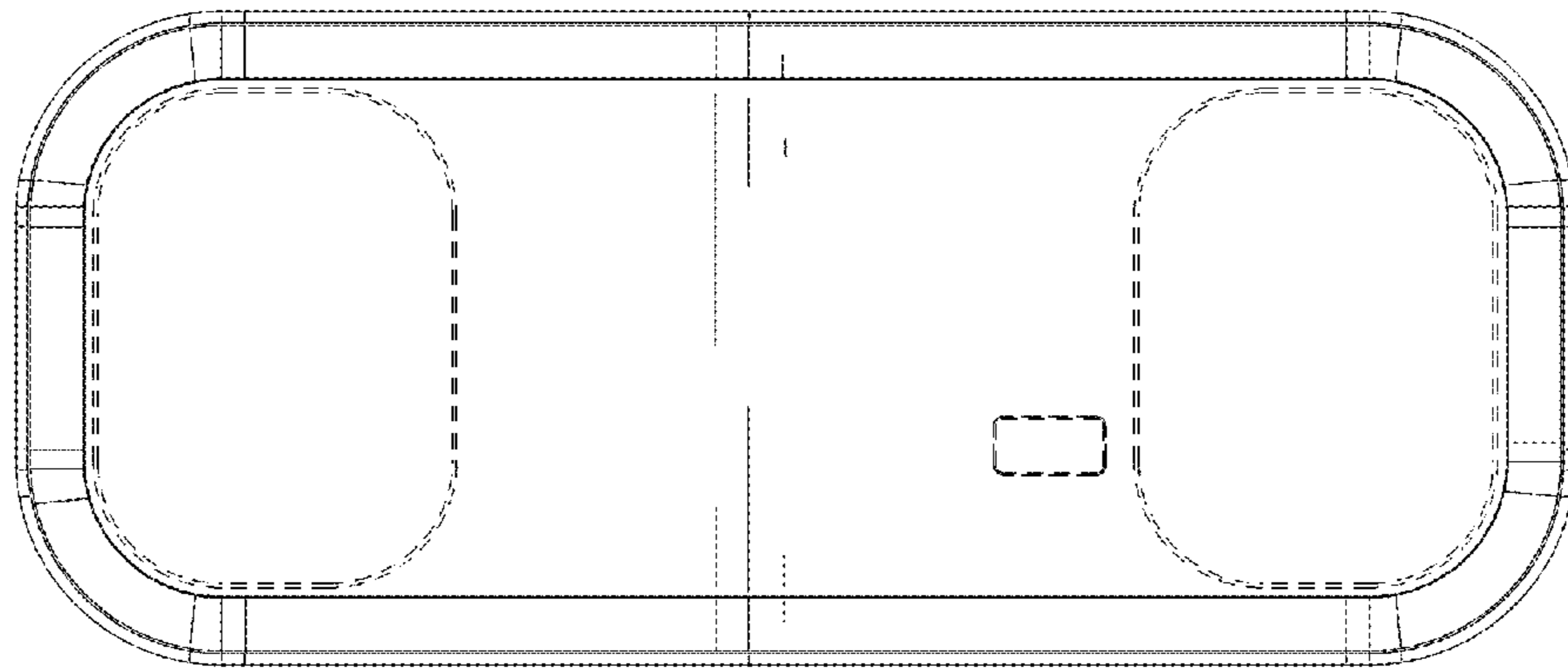


FIG. 3

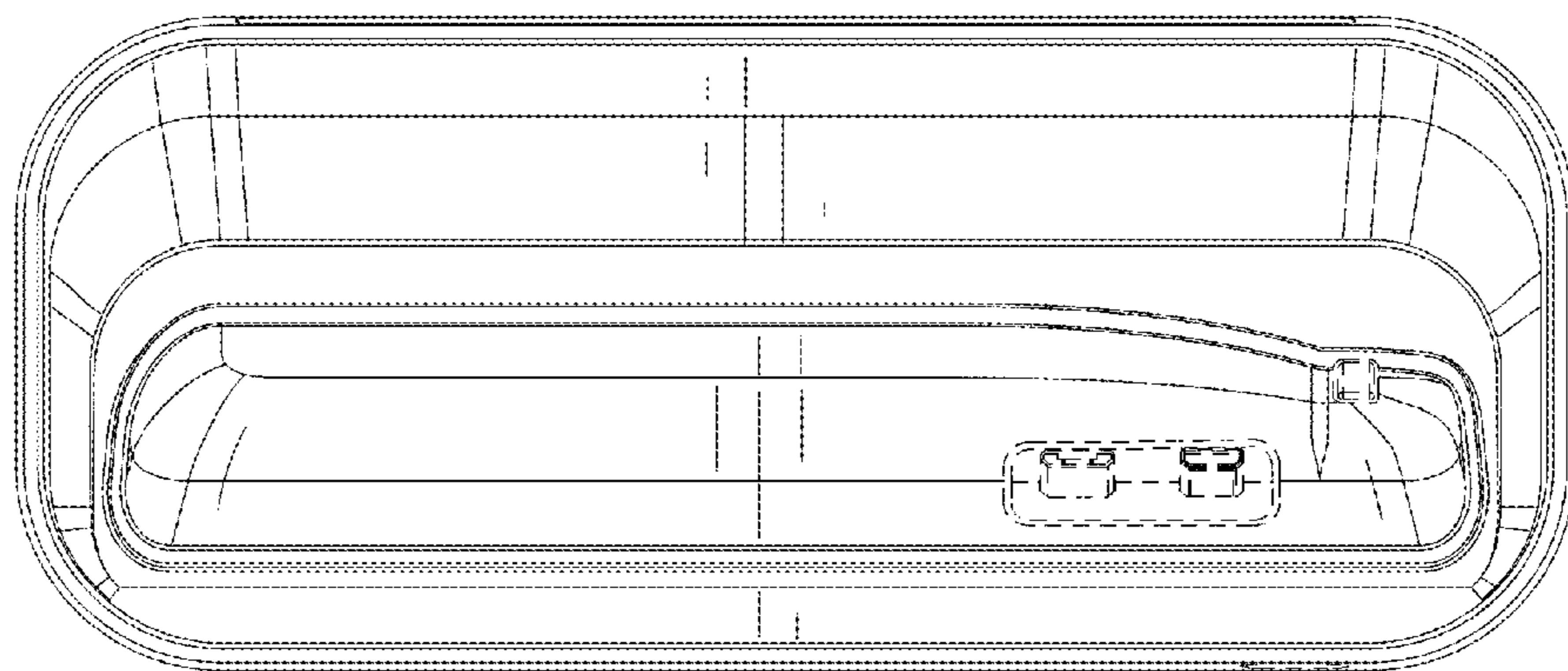


FIG. 4

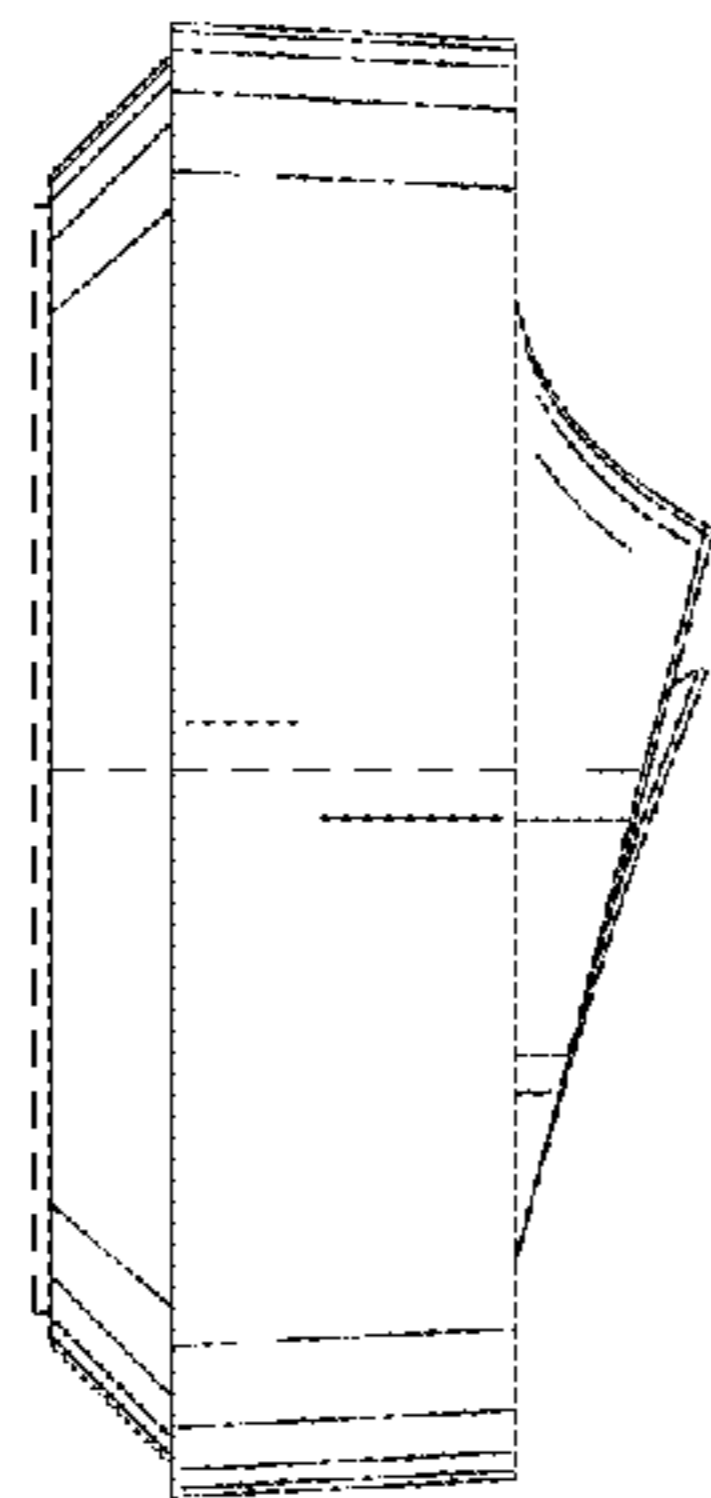


FIG. 5

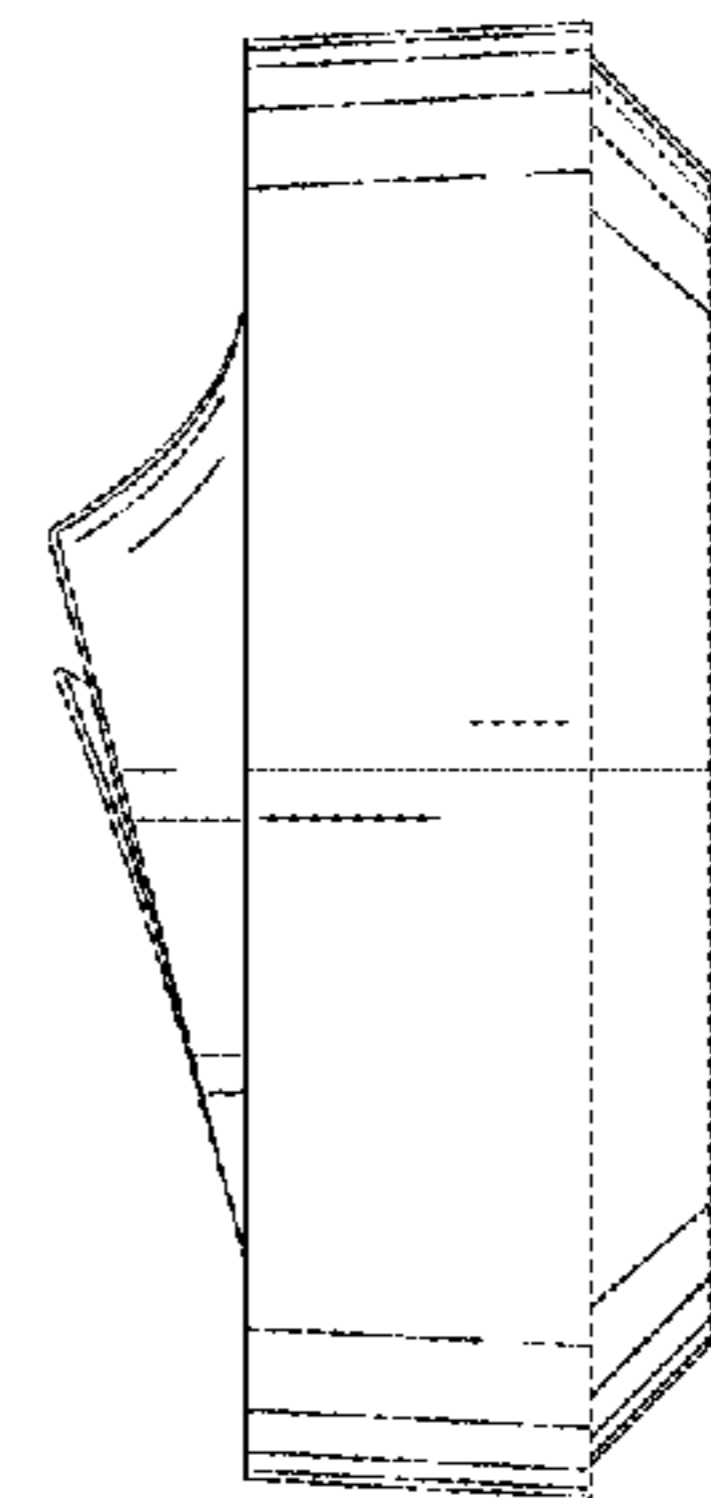


FIG. 6

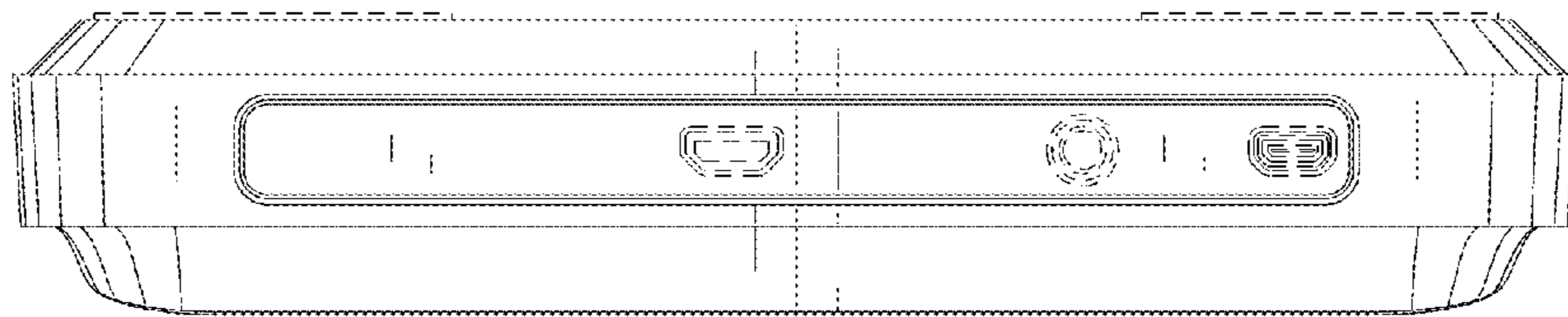


FIG. 7

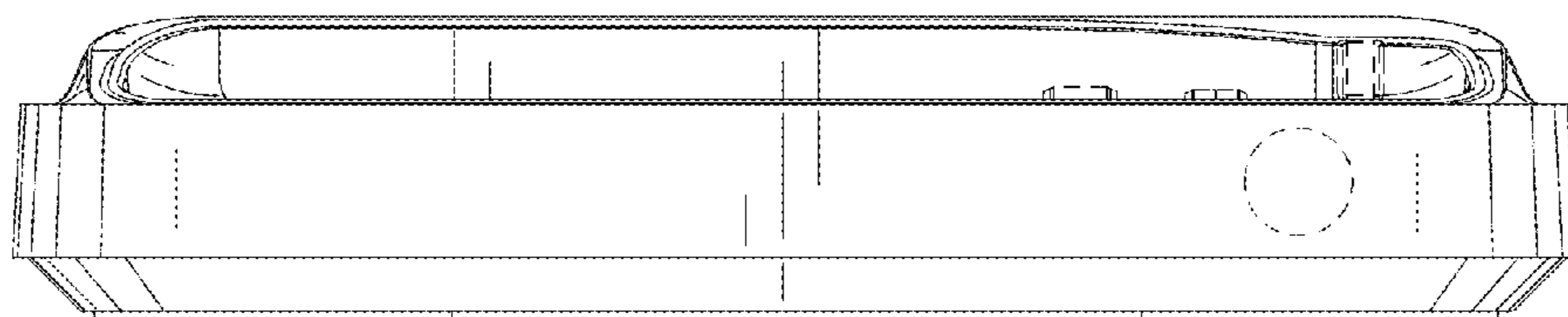


FIG. 8

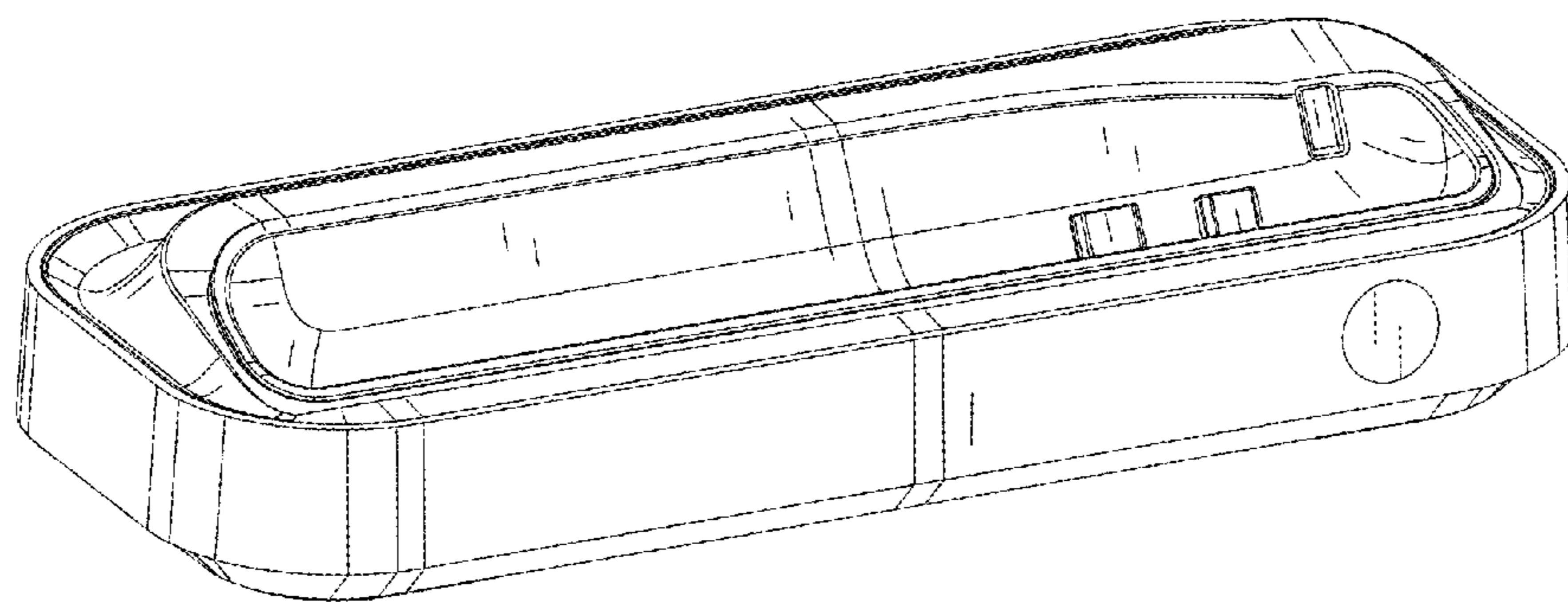


FIG. 9

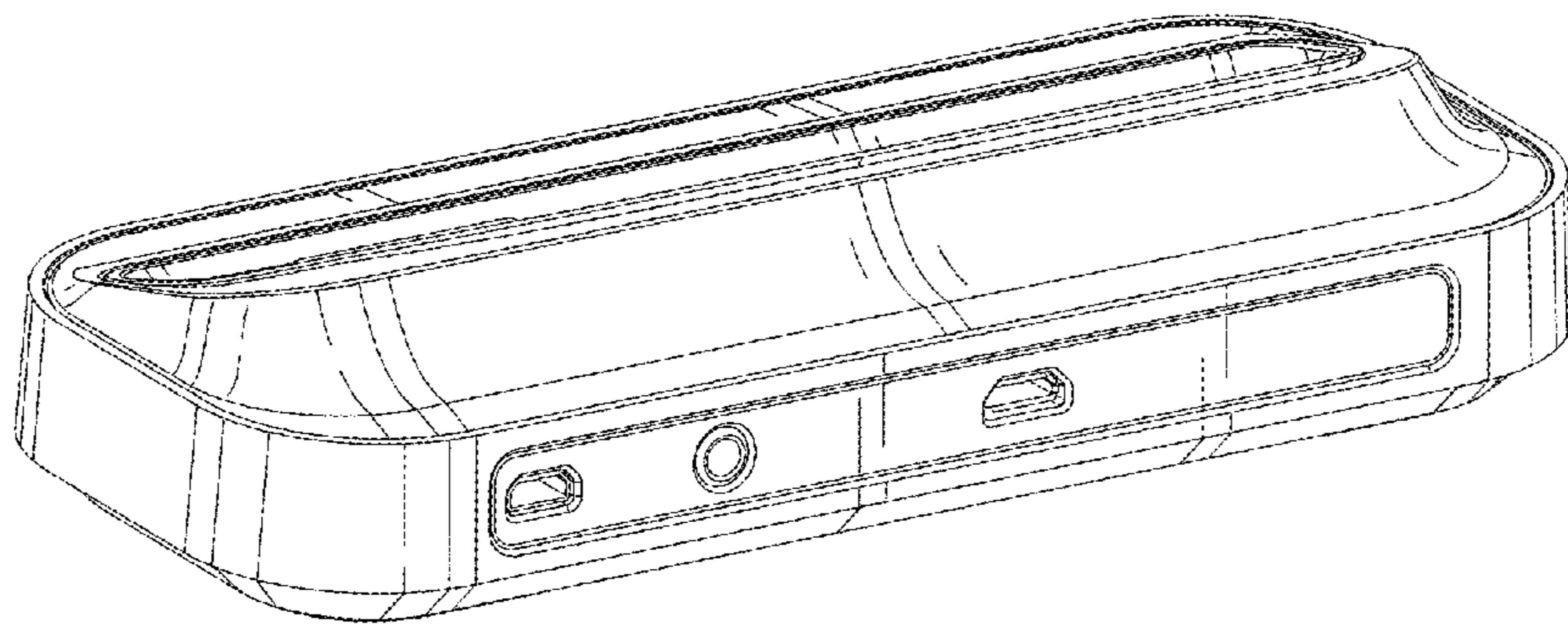


FIG. 10



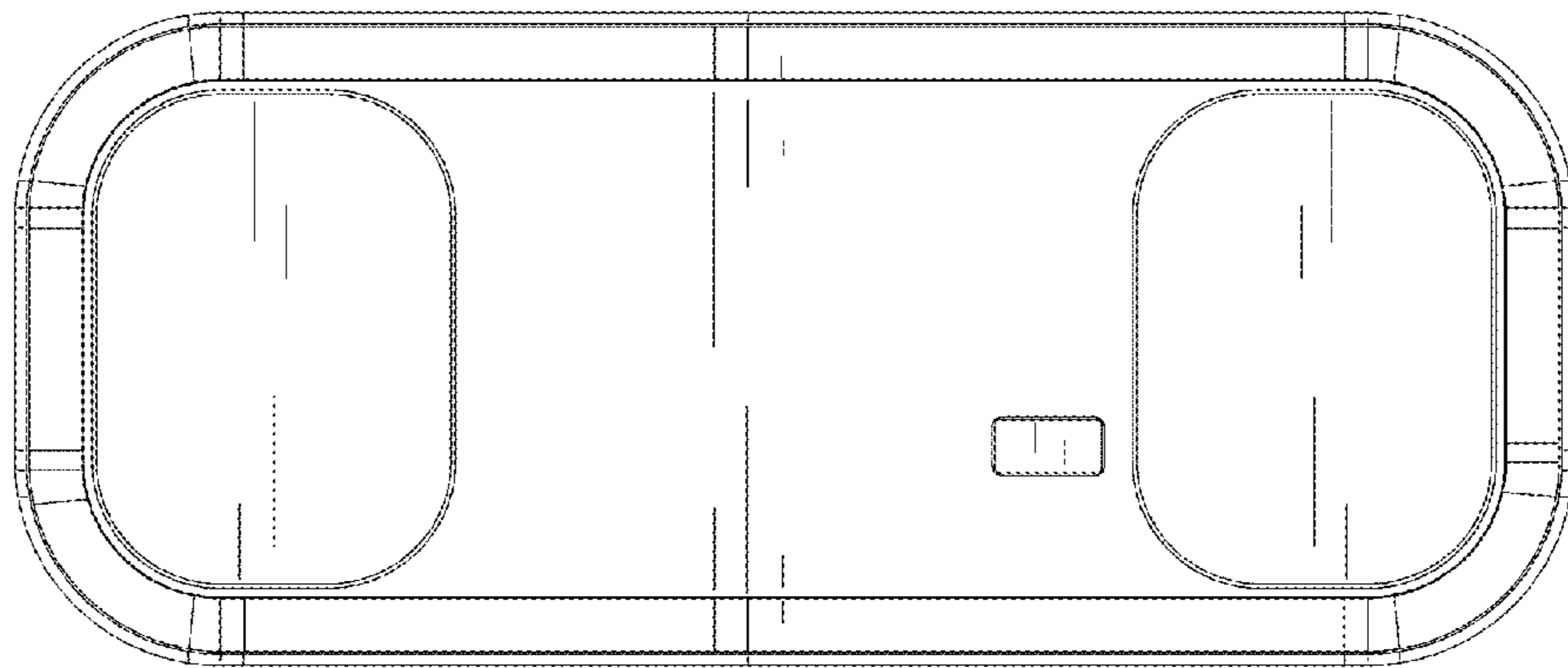


FIG. 11

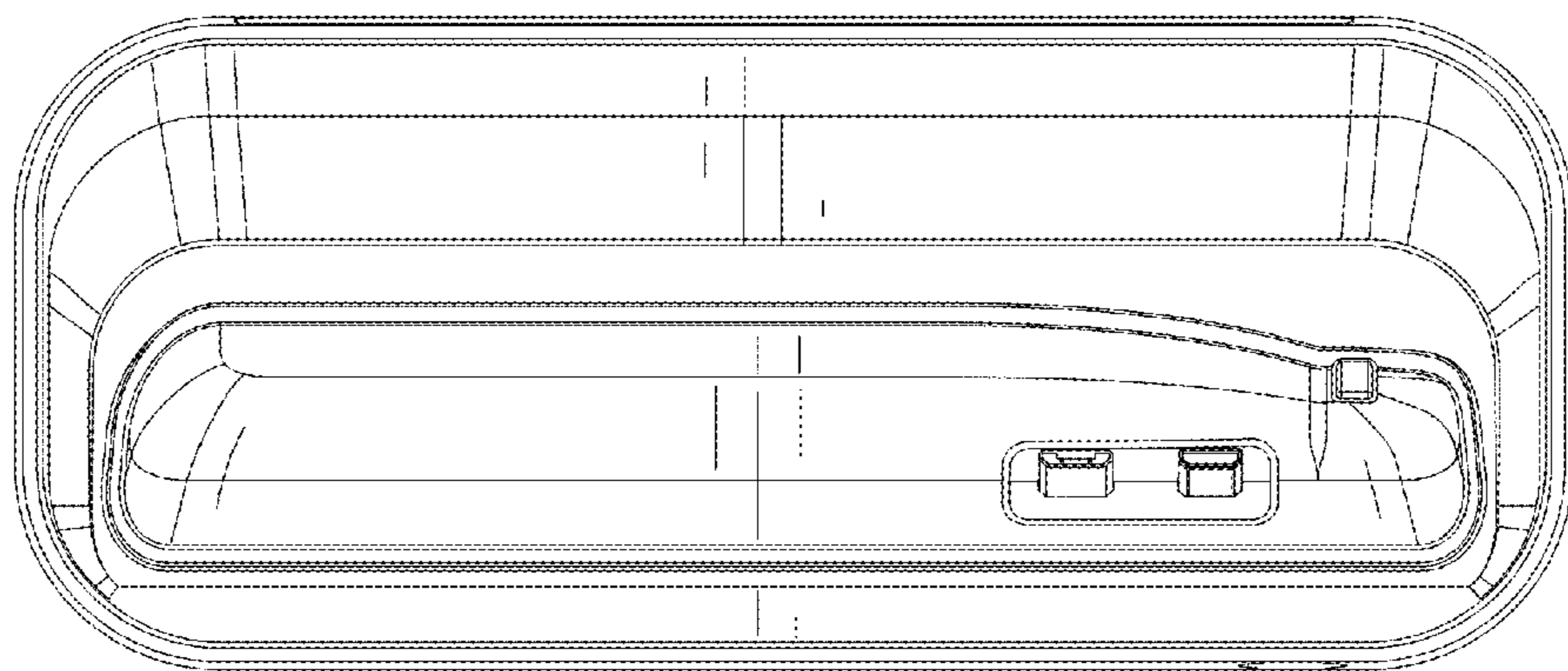


FIG. 12

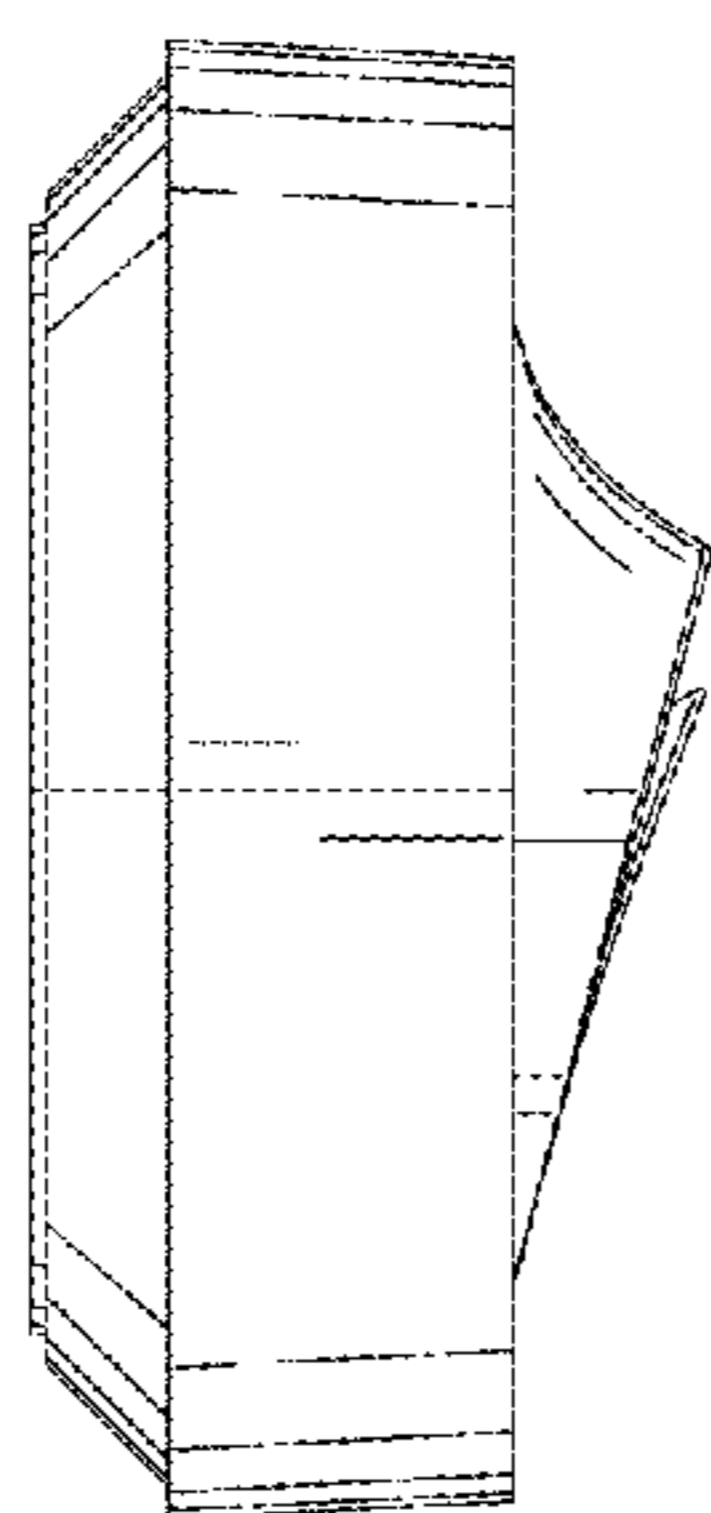


FIG. 13

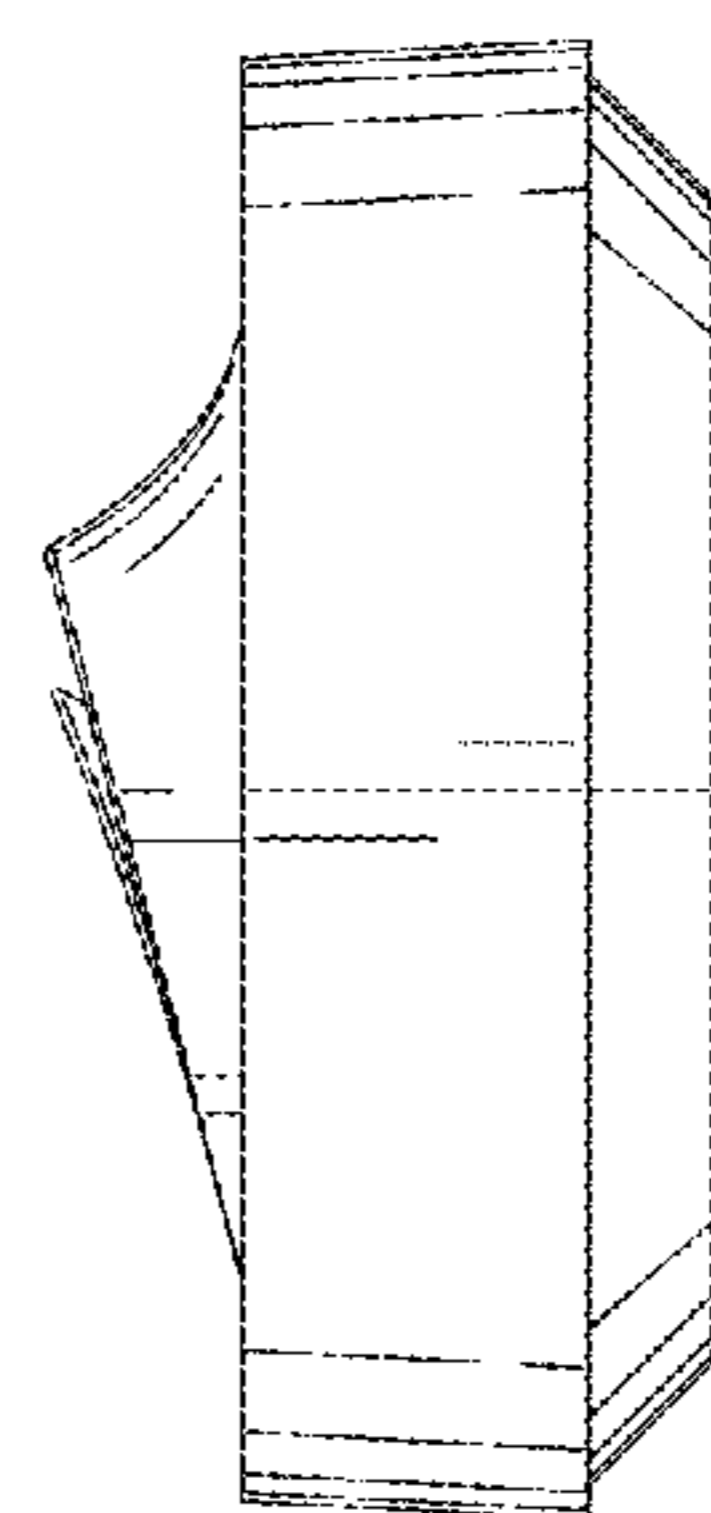


FIG. 14

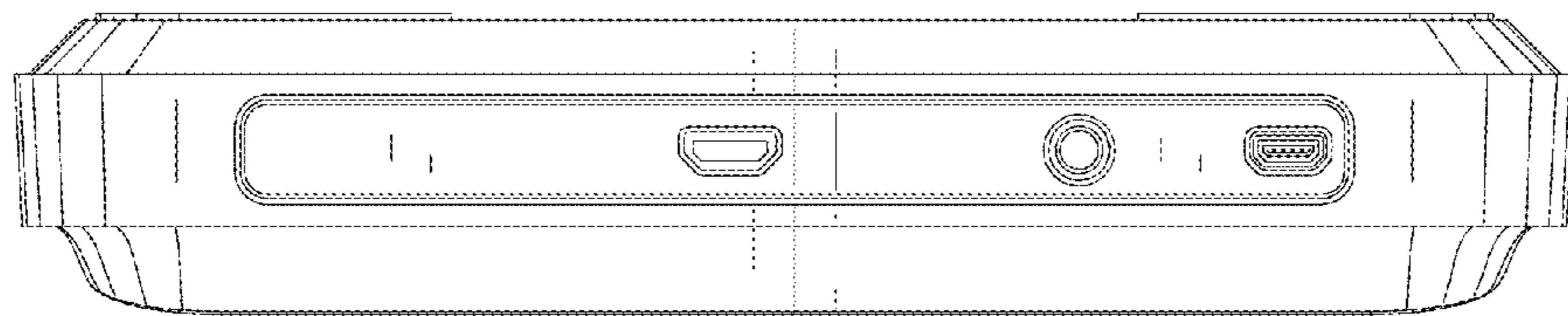


FIG. 15

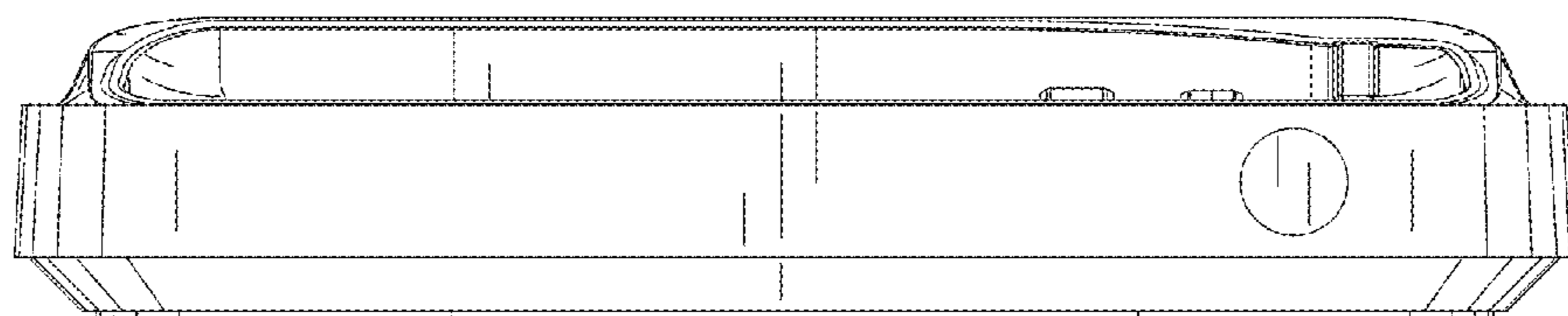


FIG. 16