



US00D670278S

(12) **United States Design Patent**
Hamann

(10) **Patent No.:** **US D670,278 S**

(45) **Date of Patent:** **** Nov. 6, 2012**

(54) **CELL PHONE ENCLOSURE**

(75) Inventor: **John Hamann**, Gulf Stream, FL (US)

(73) Assignee: **Velocomp, LLC.**, Boca Raton, FL (US)

(**) Term: **14 Years**

(21) Appl. No.: **29/358,673**

(22) Filed: **Mar. 30, 2010**

(51) **LOC (9) Cl.** **14-03**

(52) **U.S. Cl.** **D14/250**

(58) **Field of Classification Search** D14/250,
D14/252, 253, 248, 249, 440, 203.7, 217,
D14/203.3, 203.4; D3/201, 218, 269; 220/4.02;
224/191, 241, 245; 379/426, 433.01; 455/575.1,
455/575.8

See application file for complete search history.

(56) **References Cited**

U.S. PATENT DOCUMENTS

D448,368 S * 9/2001 Bettag et al. D14/250
D568,849 S * 5/2008 Nuovo D14/138 AA
7,440,784 B2 * 10/2008 Chung et al. 455/575.3
D588,088 S * 3/2009 Mitchell D14/138 AB

D591,258 S * 4/2009 Wilson D14/138 AB
D606,508 S * 12/2009 Wun et al. D14/138 AB
D638,004 S * 5/2011 Salazar et al. D14/248
D641,013 S * 7/2011 Richardson et al. D14/250

* cited by examiner

Primary Examiner — Sheryl Lane

(74) *Attorney, Agent, or Firm* — Michael W. Caldwell

(57) **CLAIM**

The ornamental design for a cell phone enclosure, as shown and described.

DESCRIPTION

FIG. 1 is a frontal perspective view of a cell phone enclosure showing my new design;

FIG. 2 is a top plan view thereof;

FIG. 3 is a bottom plan view thereof;

FIG. 4 is a front view thereof;

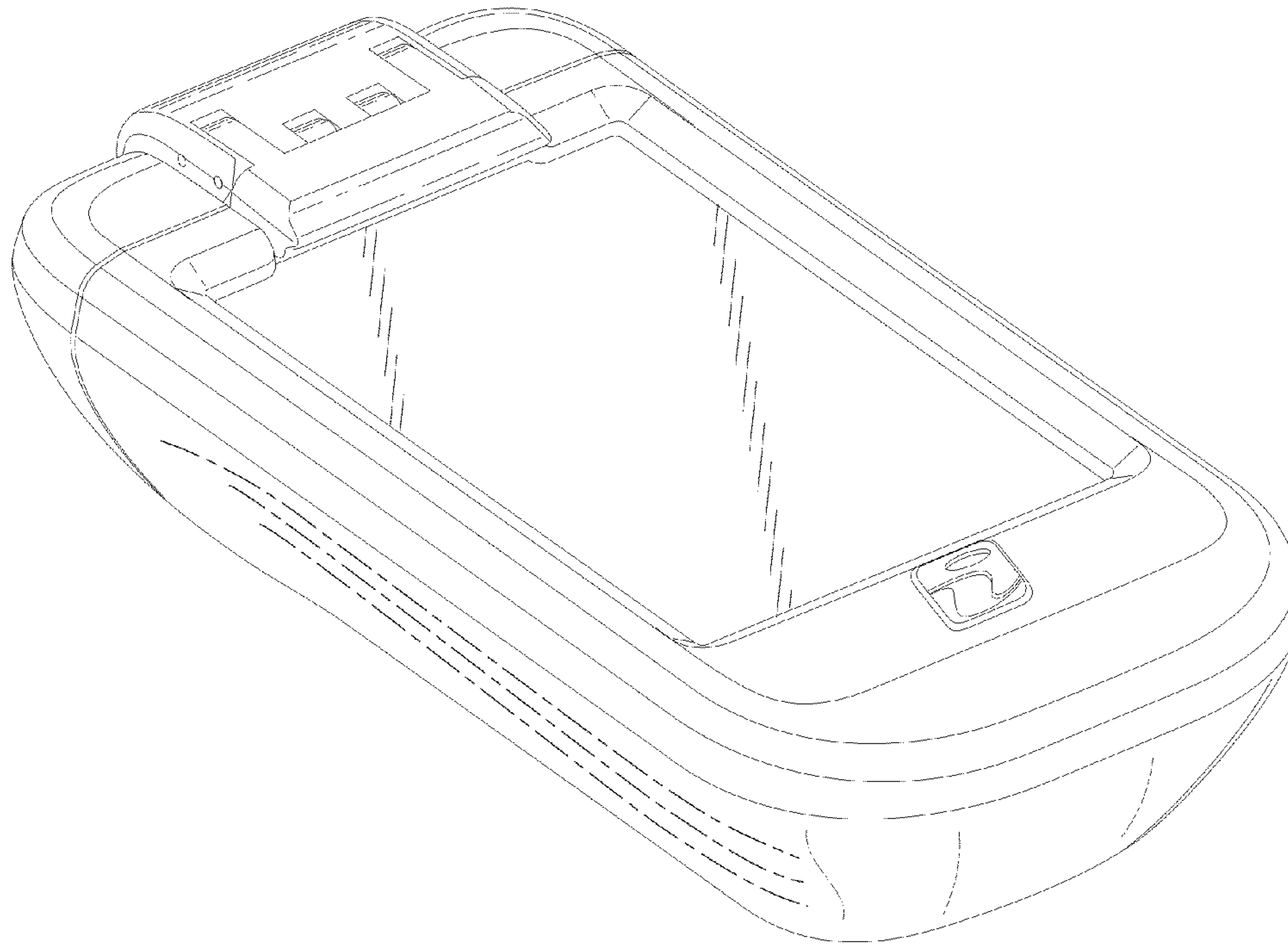
FIG. 5 is a rear view thereof;

FIG. 6 is a left side view thereof; and,

FIG. 7 is a right side view thereof.

It will be understood that the dashed lines presented in the drawings are for illustration only, and do not for a part of the claimed design.

1 Claim, 4 Drawing Sheets



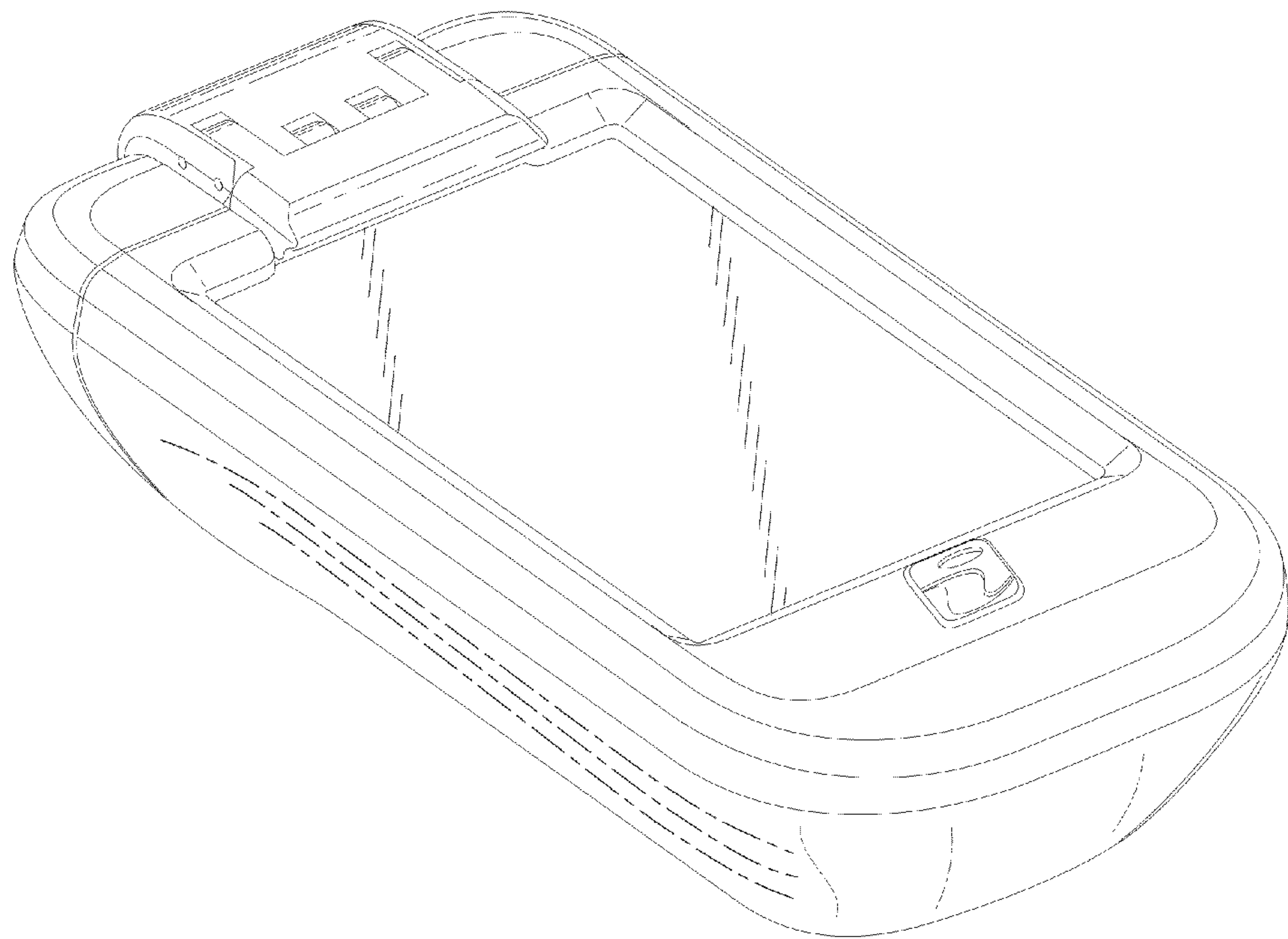


FIG. 1

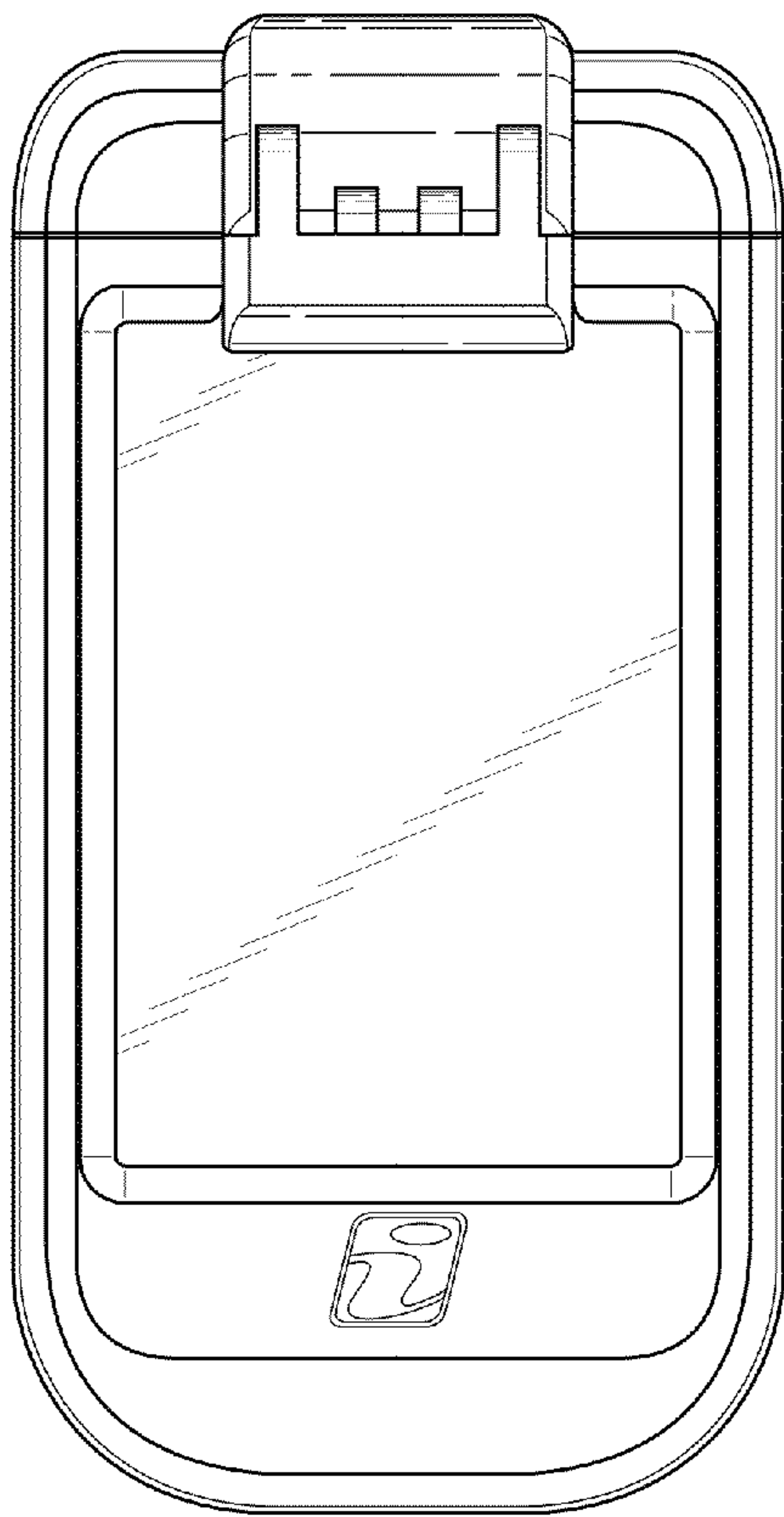


Fig. 2

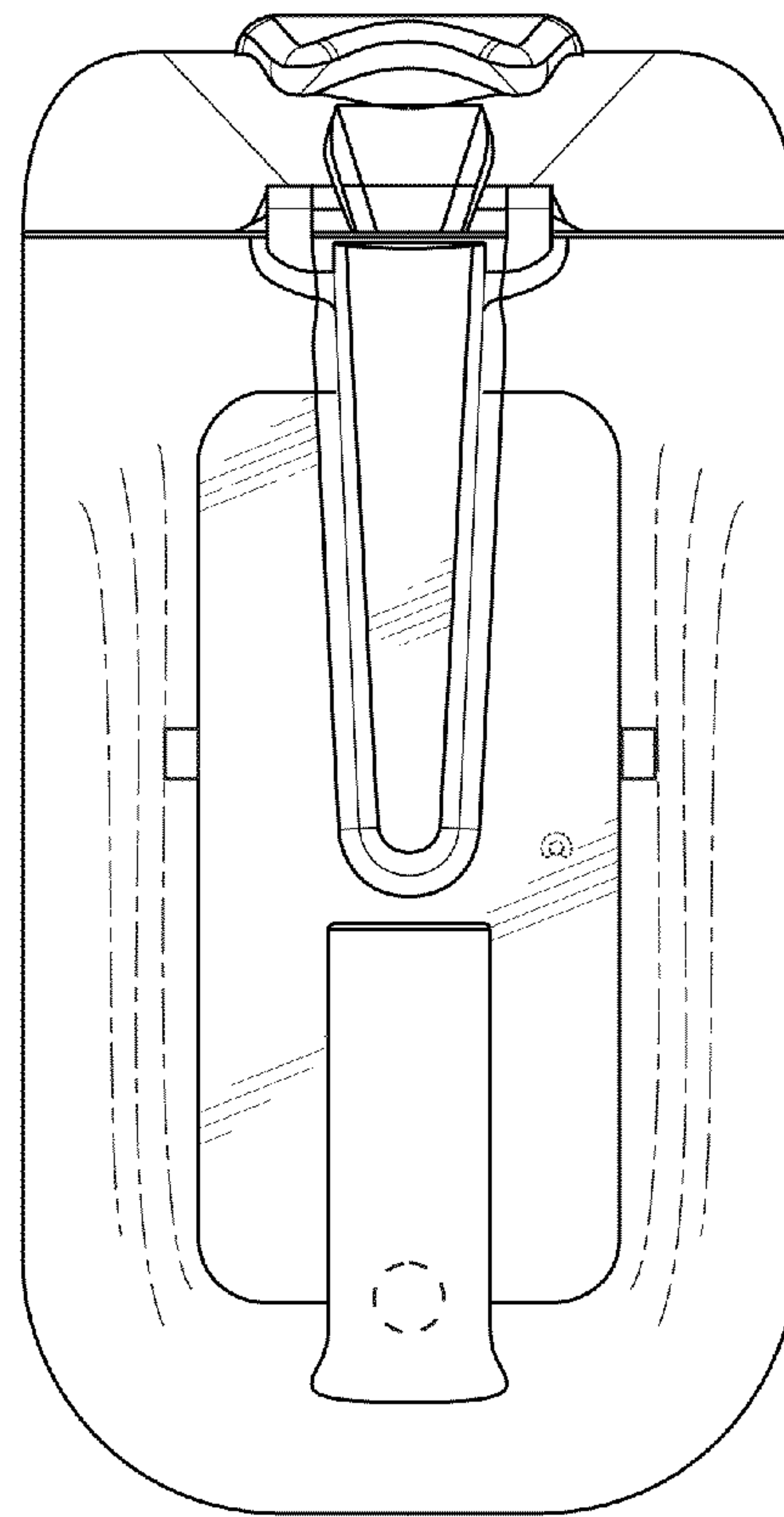


Fig. 3

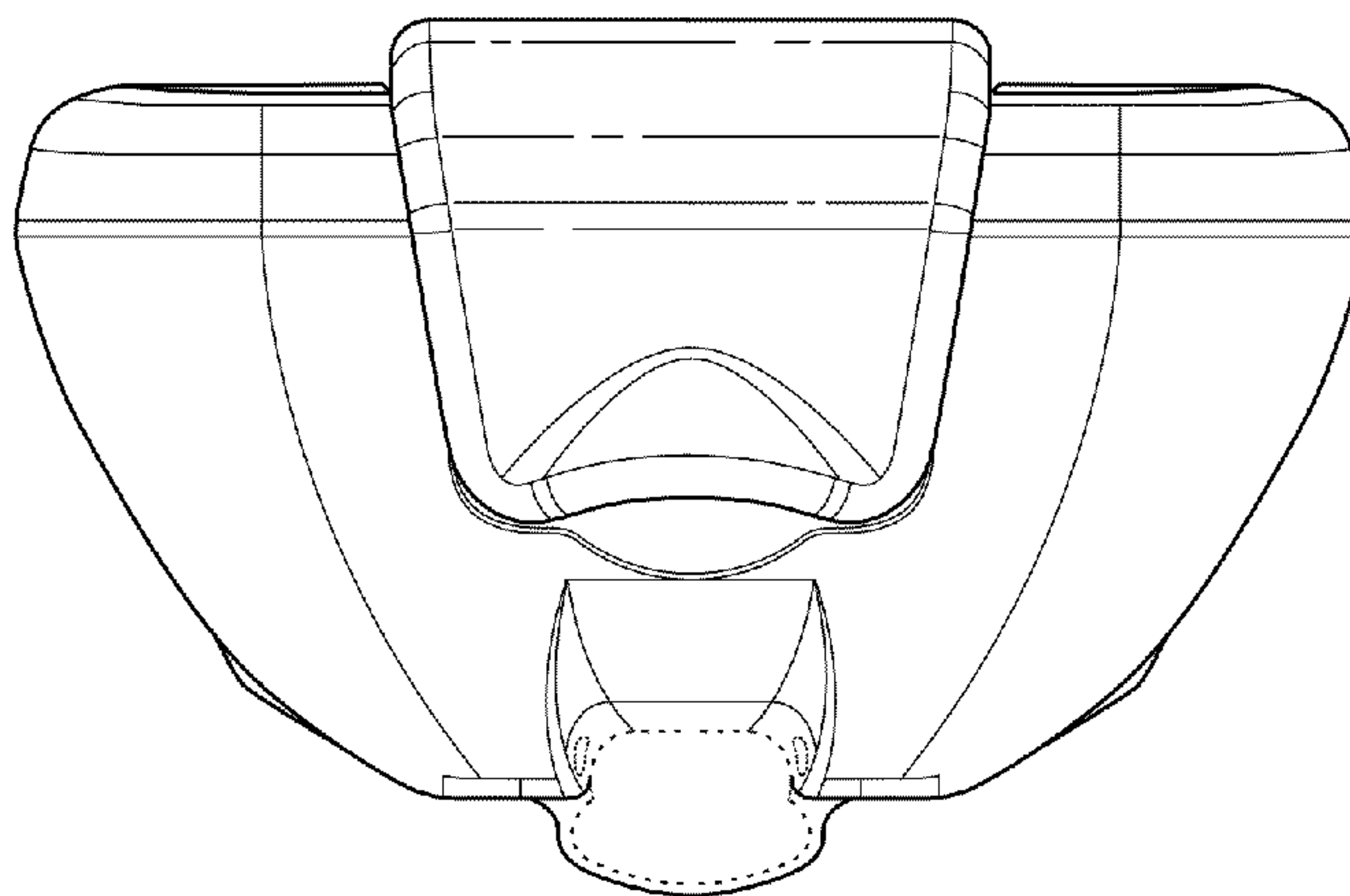


Fig. 4

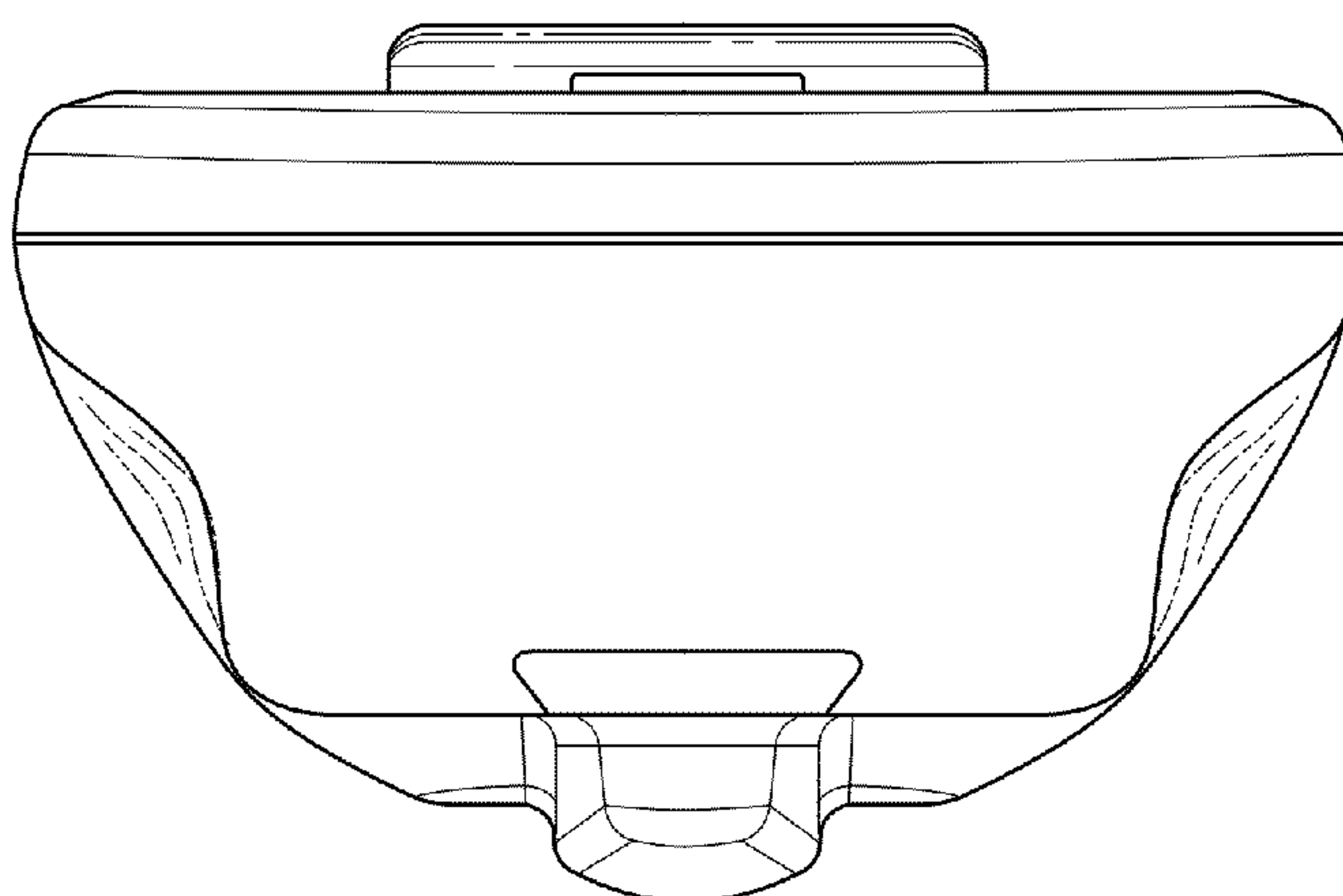


Fig. 5

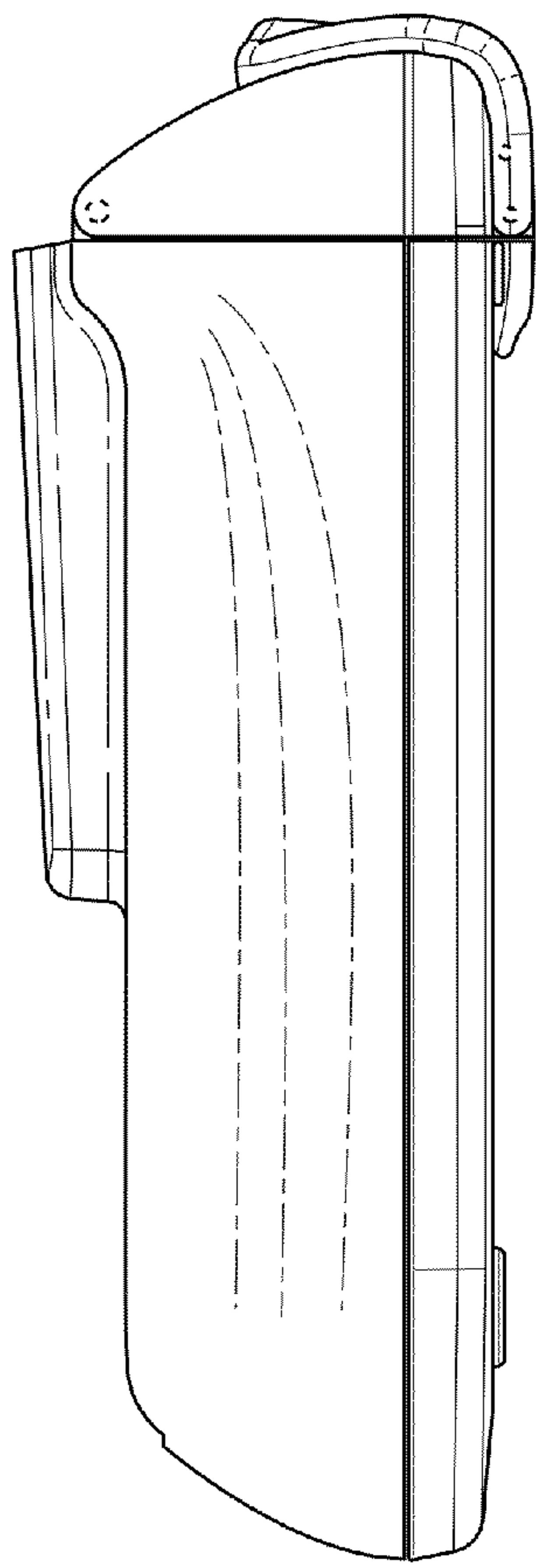


Fig. 6

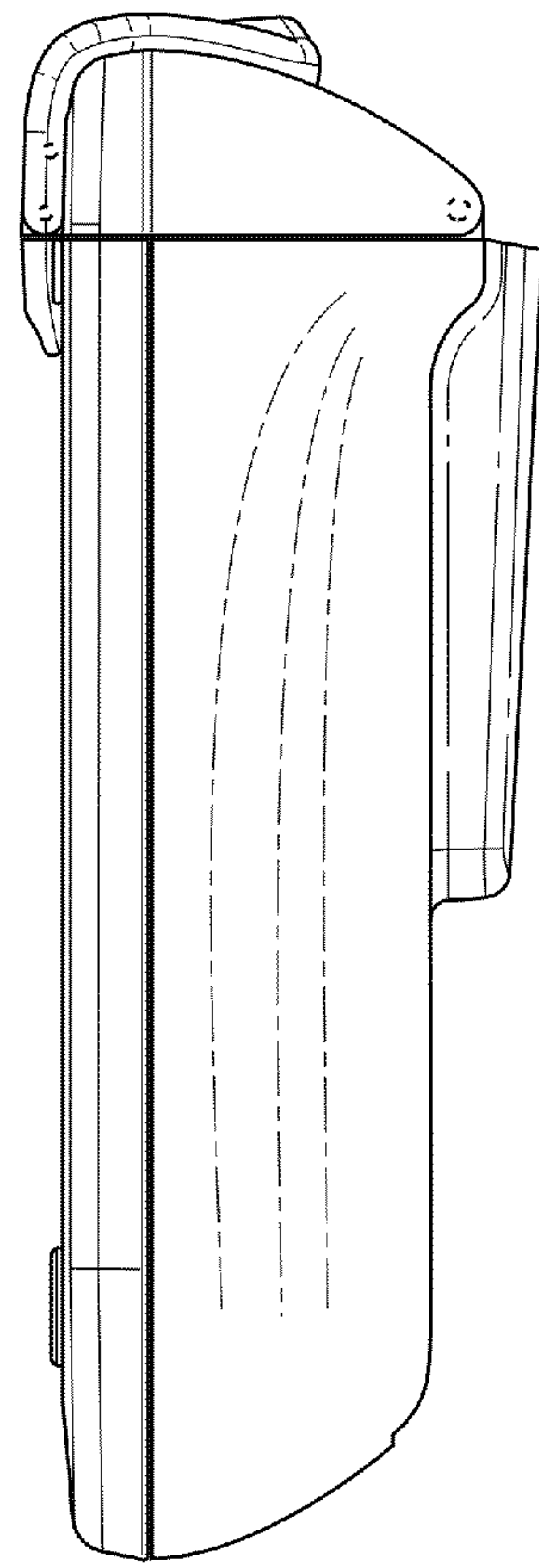


Fig. 7