



US00D670275S

(12) **United States Design Patent**
Tompkin et al.

(10) **Patent No.:** **US D670,275 S**
(45) **Date of Patent:** **** Nov. 6, 2012**

(54) **SQUARE HEADSET**

(75) Inventors: **Pip Tompkin**, Los Angeles, CA (US);
Shannon Hematian, Los Angeles, CA
(US); **Dayne Tanner**, Los Angeles, CA
(US); **Denny Liao**, Irvine, CA (US);
Jessica Lambert, Los Angeles, CA (US)

(73) Assignee: **Superior Communications, Inc.**,
Irwindale, CA (US)

(**) Term: **14 Years**

(21) Appl. No.: **29/407,751**

(22) Filed: **Dec. 1, 2011**

(51) **LOC (9) Cl.** **14-01**

(52) **U.S. Cl.** **D14/223**

(58) **Field of Classification Search** D14/205,
D14/206, 223; 181/129, 130, 135; 379/430,
379/431; 381/380, 381; D24/174; 455/90.3,
455/575.1

See application file for complete search history.

(56) **References Cited**

U.S. PATENT DOCUMENTS

2,248,837	A *	7/1941	Walters	381/380
3,821,647	A *	6/1974	Minasian	455/269
D244,213	S	5/1977	Besasie		
D244,300	S	5/1977	Besasie		
D244,301	S	5/1977	Besasie		
4,133,984	A *	1/1979	Akiyama	381/328
D255,352	S	6/1980	Besasie		
D265,557	S	7/1982	Besasie		
D306,725	S	3/1990	Tanaka		
D317,767	S	6/1991	Banks		
5,410,608	A *	4/1995	Lucey et al.	381/360
D430,224	S	8/2000	Tomita et al.		
D435,036	S	12/2000	Koss et al.		

D444,141	S	6/2001	Koss et al.		
D449,592	S	10/2001	Koss et al.		
D451,903	S	12/2001	Amae et al.		
D451,906	S	12/2001	Amae et al.		
D451,907	S	12/2001	Amae et al.		
D457,514	S *	5/2002	Marion et al.	D14/223
D464,944	S	10/2002	Lee et al.		
D467,240	S	12/2002	Ruohonen		
D470,122	S	2/2003	Hlas et al.		
D470,128	S	2/2003	Hlas et al.		
D470,836	S	2/2003	Amae et al.		
D474,178	S	5/2003	Eroma		
D476,639	S	7/2003	Bergeron et al.		
D478,574	S	8/2003	Ming		
D479,834	S	9/2003	Salazar et al.		
D481,376	S	10/2003	Eguchi		
D481,377	S	10/2003	Eguchi		
D491,163	S	6/2004	Green		
D491,545	S	6/2004	Widiaman et al.		

(Continued)

Primary Examiner — Paula Greene

(74) *Attorney, Agent, or Firm* — Snell & Wilmer LLP

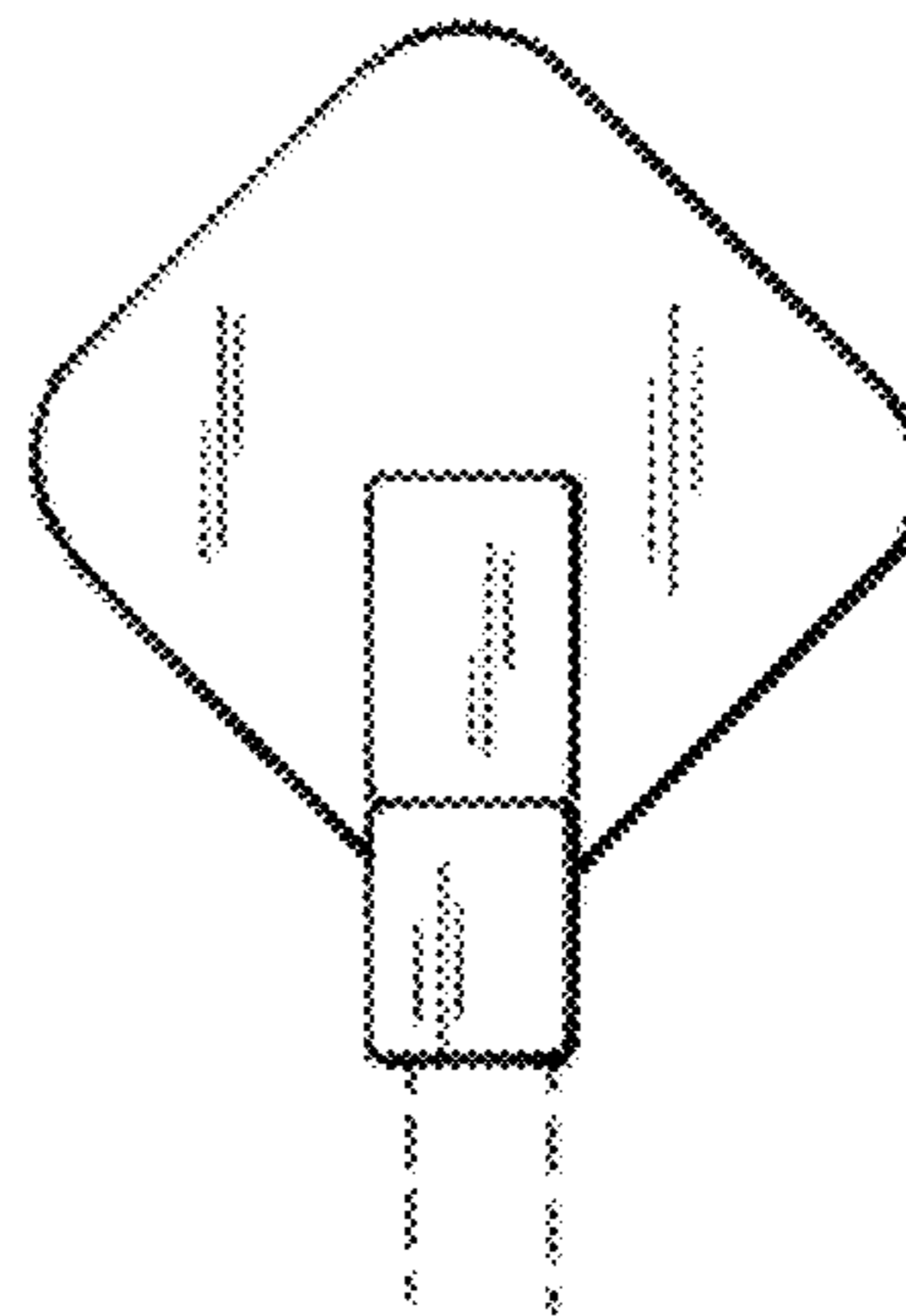
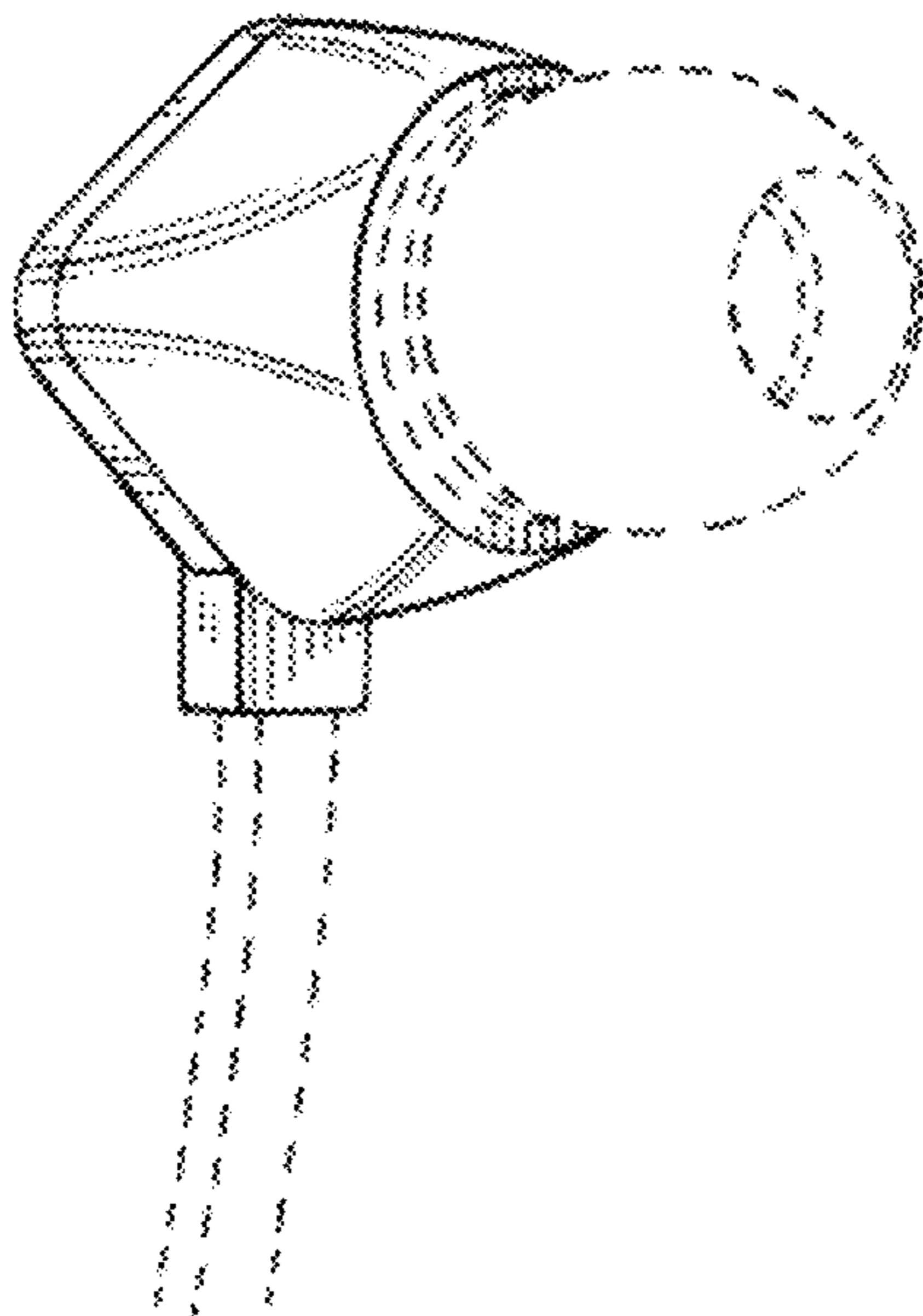
(57) **CLAIM**

We claim the ornamental design for a square headset, as shown and described.

DESCRIPTION

FIG. 1 is a perspective view of the square headset showing my new design;
FIG. 2 is a front view of the square headset;
FIG. 3 is a rear view of the square headset;
FIG. 4 is a left side view of the square headset;
FIG. 5 is a top view of the square headset; and,
FIG. 6 is a bottom view of the square headset.
The broken lines in the FIGURES showing the ear plug and the cable of the square headset are for illustrative purposes only and form no part of the claimed design.

1 Claim, 2 Drawing Sheets



US D670,275 S

Page 2

U.S. PATENT DOCUMENTS					
D499,397 S	12/2004	Hlas et al.	D597,072 S	7/2009	Asai
D500,491 S	1/2005	Eroma et al.	D597,083 S	7/2009	Nousiainen
D504,884 S	5/2005	Hering	D598,901 S	8/2009	Lee et al.
D508,485 S	8/2005	Katsumata	D599,781 S	9/2009	Lee et al.
D511,156 S	11/2005	Eroma et al.	D600,236 S	9/2009	Sanguinetti et al.
D512,049 S	* 11/2005	Yang D14/223	D600,675 S	9/2009	Lee et al.
D512,981 S	12/2005	Jacobson et al.	D601,125 S	9/2009	Komiyama
D512,991 S	12/2005	Yano	D602,002 S	10/2009	Asai
D517,043 S	3/2006	Jacobson et al.	D603,377 S	11/2009	Chung
D526,313 S	8/2006	Murray	D605,168 S	12/2009	Jaakkola et al.
D533,540 S	12/2006	Murray	D605,182 S	12/2009	Fagnot
D536,694 S	2/2007	Eroma et al.	D606,050 S	12/2009	Nousiainen
D538,261 S	3/2007	Taylor et al.	D606,971 S	* 12/2009	Christopher et al. D14/205
D541,255 S	4/2007	Taylor et al.	D608,766 S	1/2010	Brickstad
D543,539 S	5/2007	Sade et al.	D610,130 S	2/2010	Bridge et al.
D546,321 S	7/2007	Kim	D610,575 S	2/2010	Brickstad
D550,202 S	9/2007	Meier et al.	D611,457 S	3/2010	Bridge et al.
D550,657 S	* 9/2007	Gan et al. D14/223	D611,929 S	3/2010	Blanchard
D552,602 S	10/2007	Sade et al.	D616,418 S	5/2010	Morisawa
D553,613 S	10/2007	Sade et al.	D617,308 S	6/2010	Nousiainen et al.
D554,109 S	* 10/2007	Ledbetter et al. D14/223	D617,770 S	6/2010	Sanguinetti et al.
D555,151 S	11/2007	Eklund	D617,779 S	6/2010	Nylen
D557,255 S	12/2007	Shintani	D617,780 S	6/2010	Jaakkola et al.
D558,735 S	1/2008	Carr et al.	D618,208 S	6/2010	Bridge et al.
D559,837 S	1/2008	Nakano	D618,209 S	6/2010	Andre et al.
D560,206 S	1/2008	Hermansen	D618,210 S	6/2010	Andre et al.
D561,179 S	2/2008	Sade et al.	D621,817 S	8/2010	Brickstad
D564,495 S	* 3/2008	Sasaki D14/205	D624,901 S	10/2010	Blanchard
D565,023 S	3/2008	Yamagishi	D624,904 S	10/2010	Lim
D566,099 S	* 4/2008	Komiyama D14/206	D629,793 S	12/2010	Goransson
D566,103 S	4/2008	Sade et al.	D631,034 S	* 1/2011	Yeo D14/205
D566,692 S	4/2008	Sade et al.	D632,677 S	* 2/2011	Brown et al. D14/223
D566,696 S	4/2008	Schmelling	D635,125 S	3/2011	Nousiainen
D567,216 S	4/2008	Densho	D636,381 S	4/2011	Liner
D574,366 S	8/2008	Sade et al.	D636,763 S	4/2011	Walter
D574,367 S	8/2008	Jaakkola et al.	D637,182 S	* 5/2011	Lee et al. D14/223
D575,276 S	8/2008	Bradford et al.	D637,998 S	* 5/2011	Brunner et al. D14/205
D576,609 S	9/2008	Bradford et al.	D641,008 S	7/2011	Lee et al.
D579,924 S	11/2008	Sade et al.	D641,727 S	7/2011	Krauss et al.
D579,925 S	11/2008	Jaakkola et al.	D641,736 S	* 7/2011	Brunner et al. D14/223
D581,395 S	11/2008	Sade et al.	D641,738 S	7/2011	Perez
D583,800 S	12/2008	Jaakkola et al.	D641,739 S	7/2011	Huang
D585,431 S	1/2009	Bradford et al.	D642,554 S	8/2011	Schaal et al.
D588,101 S	3/2009	Bradford	D643,417 S	* 8/2011	Lee et al. D14/223
D588,113 S	3/2009	Bradford	D643,420 S	8/2011	Huang
D588,575 S	3/2009	Nousiainen	D645,456 S	9/2011	Carr et al.
D590,371 S	4/2009	Leinvuo	D645,457 S	9/2011	Carr et al.
D590,377 S	4/2009	Bradford	D648,711 S	11/2011	Iseki
D590,378 S	4/2009	Bradford	D649,533 S	11/2011	Lee et al.
D590,813 S	4/2009	Bradford et al.	D651,586 S	1/2012	Lee et al.
D590,814 S	4/2009	Bradford	D652,405 S	1/2012	Lee et al.
D592,182 S	5/2009	Sanguinetti	D652,406 S	1/2012	Lee et al.
D592,191 S	5/2009	Nousiainen et al.	D652,822 S	* 1/2012	Lee et al. D14/223
D594,441 S	6/2009	Lee et al.	D653,234 S	1/2012	Lee et al.
D595,697 S	7/2009	Mao et al.	D654,056 S	* 2/2012	Hoggarth et al. D14/223
D596,164 S	7/2009	Henning	D656,481 S	* 3/2012	McManigal D14/205
D596,165 S	7/2009	Henning	D660,826 S	* 5/2012	Brunner et al. D14/223
D596,166 S	7/2009	Henning			

* cited by examiner

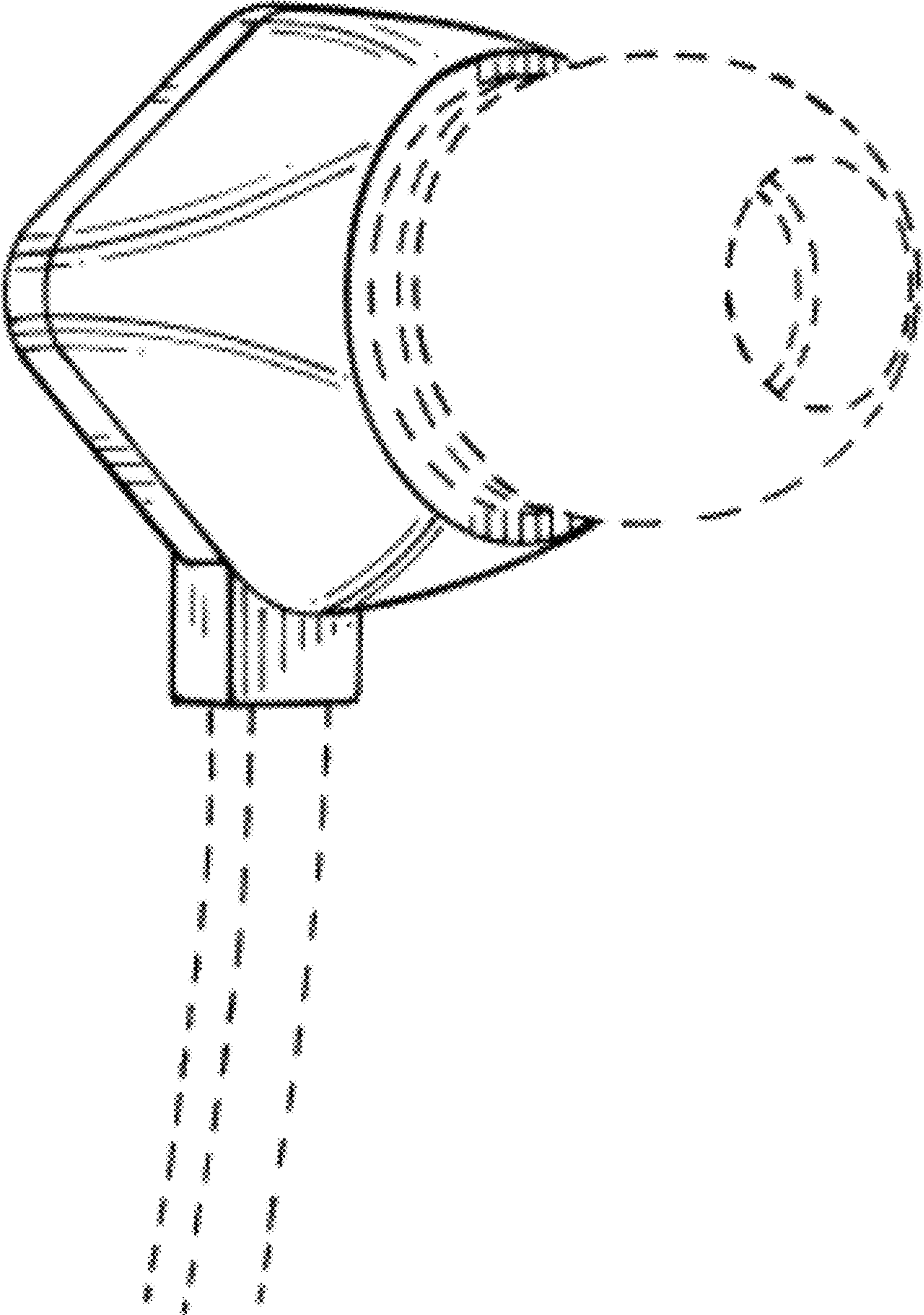


FIG. 1

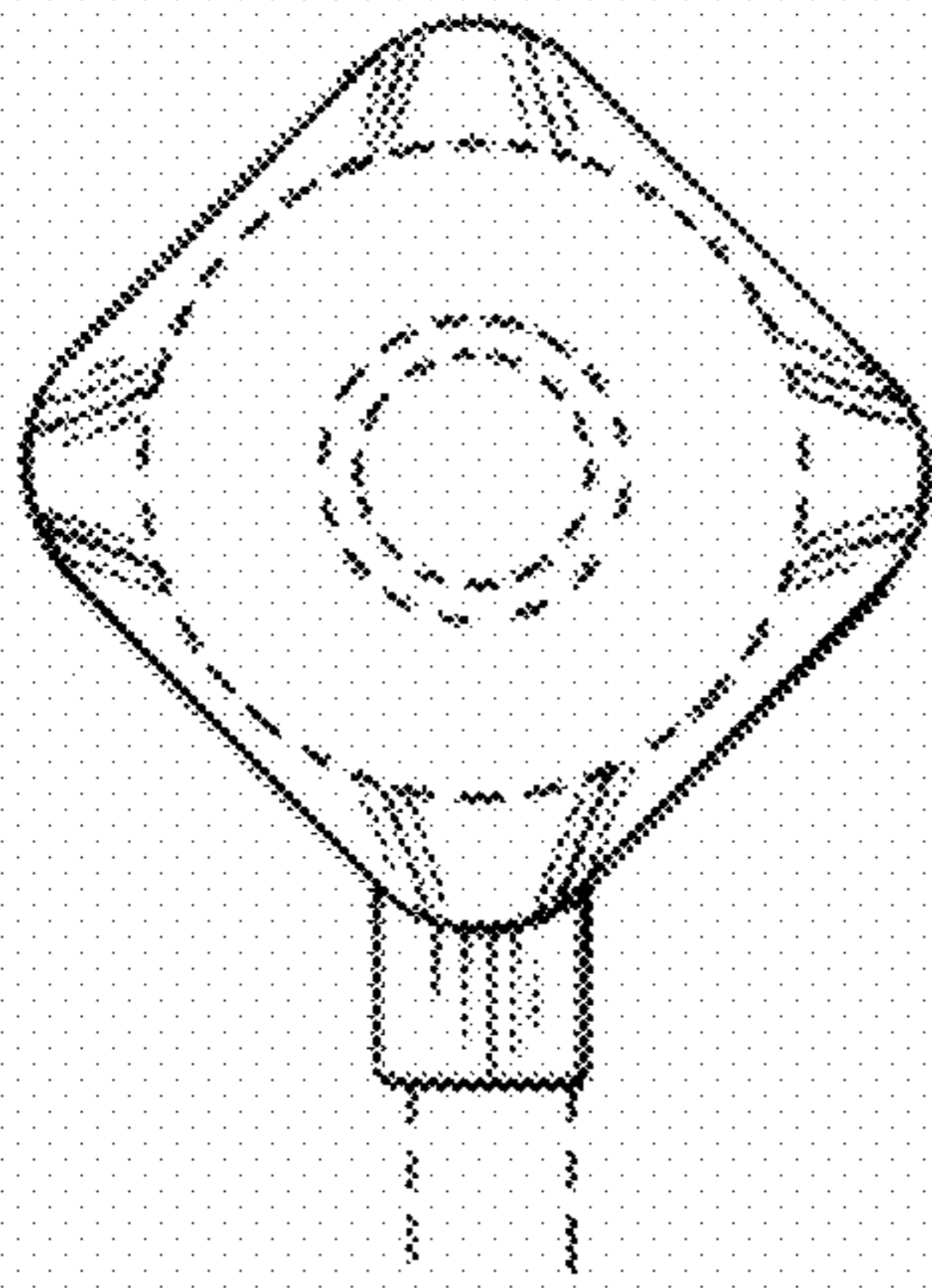


FIG. 2

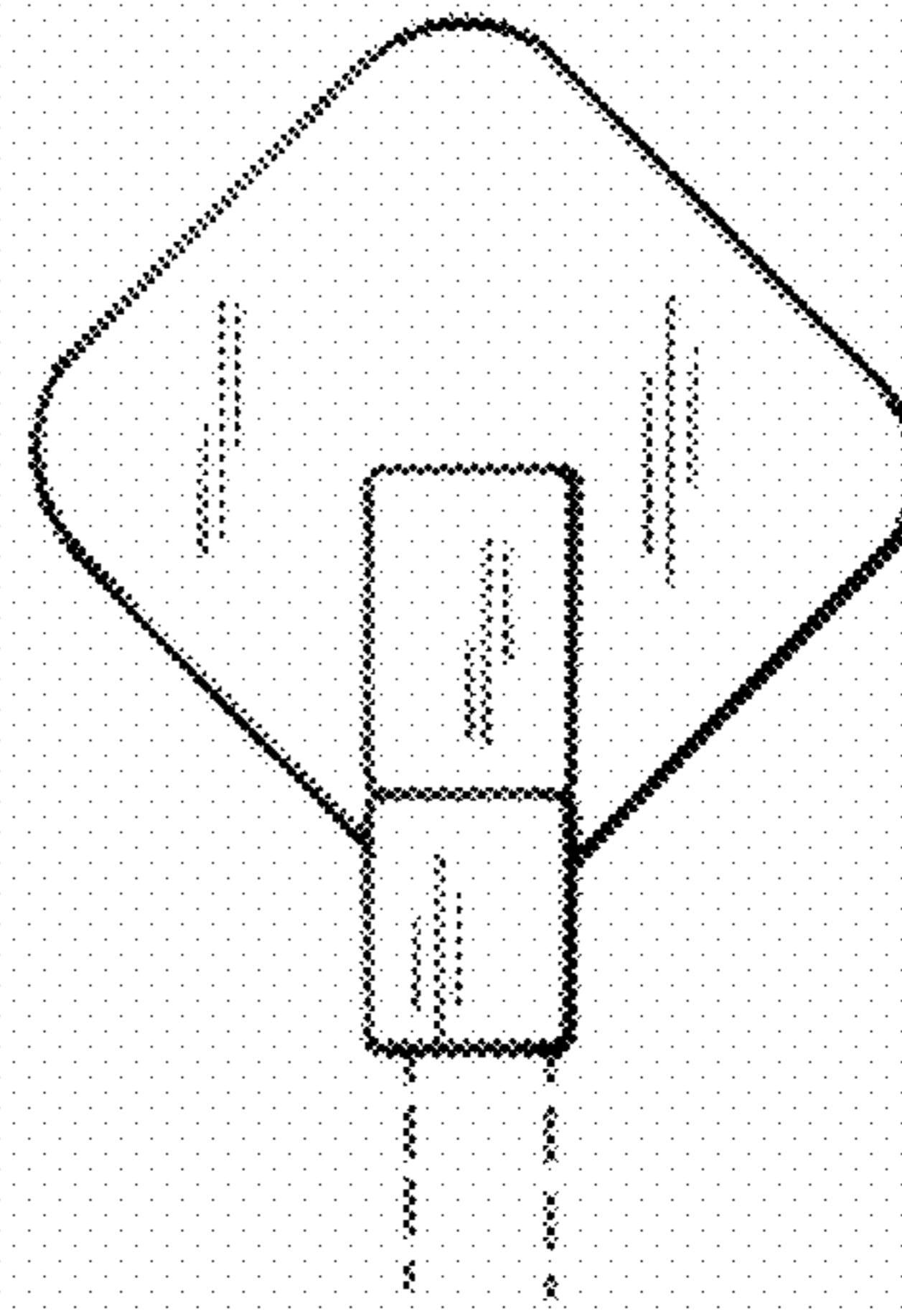


FIG. 3

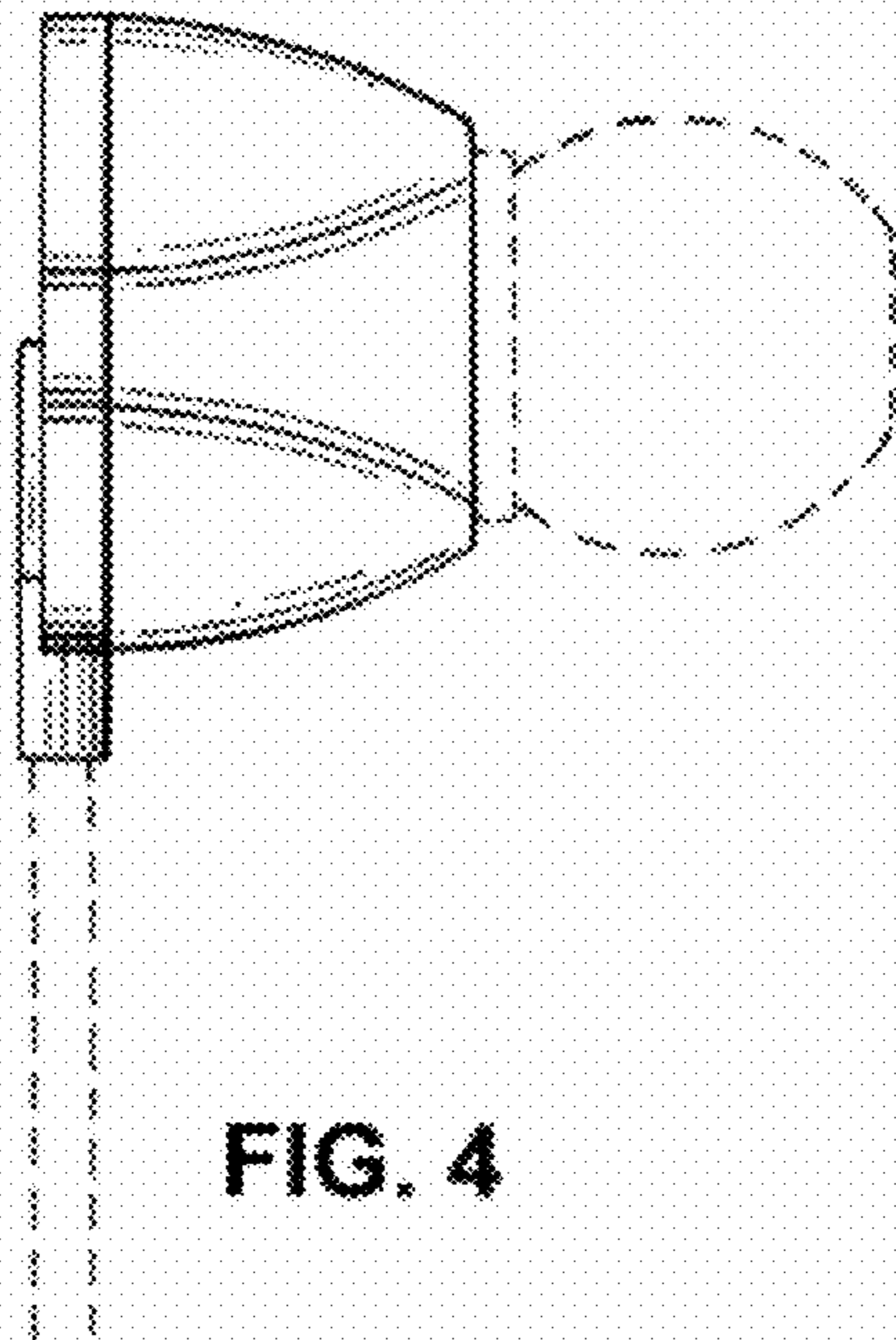


FIG. 4

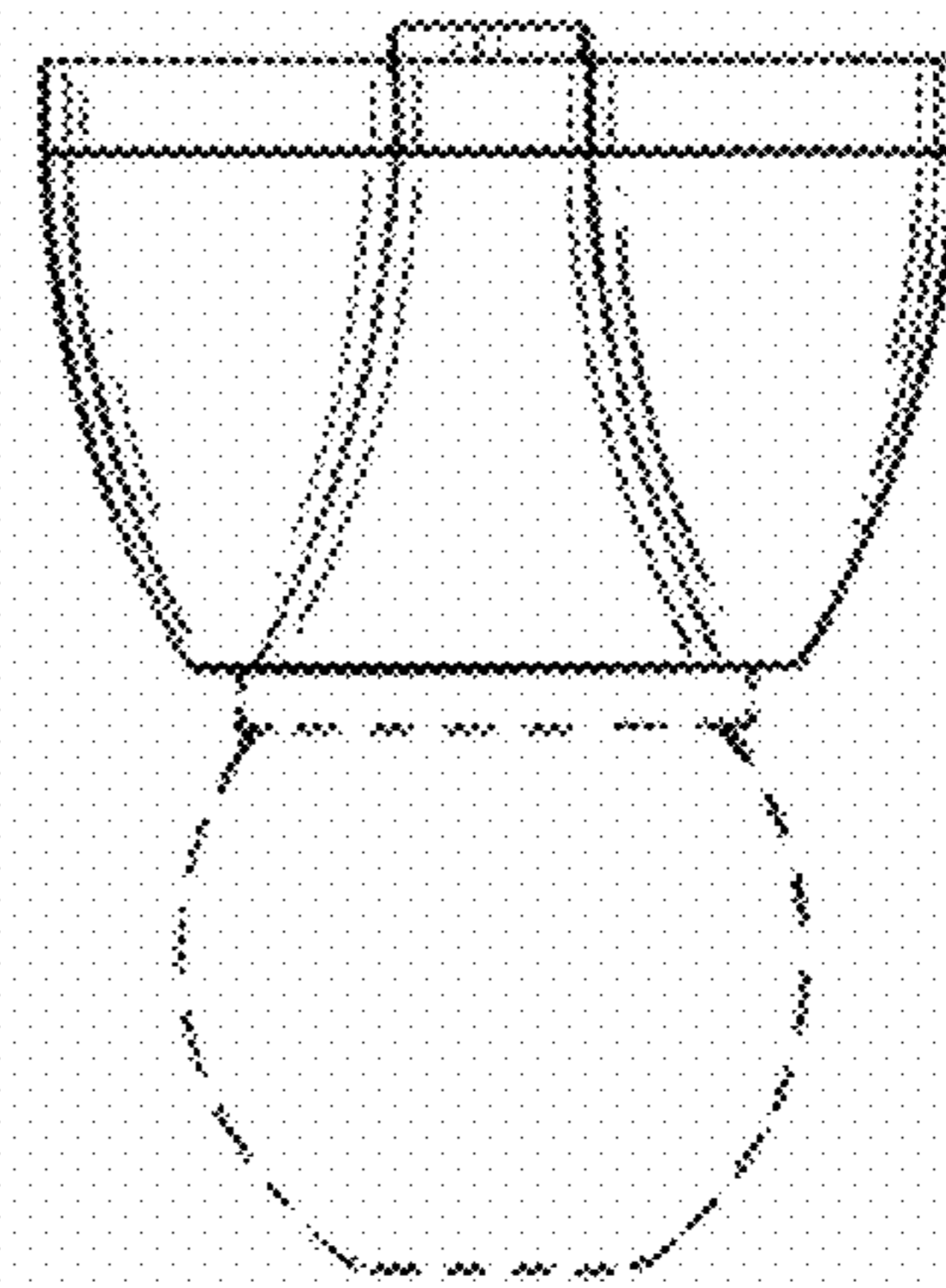


FIG. 5

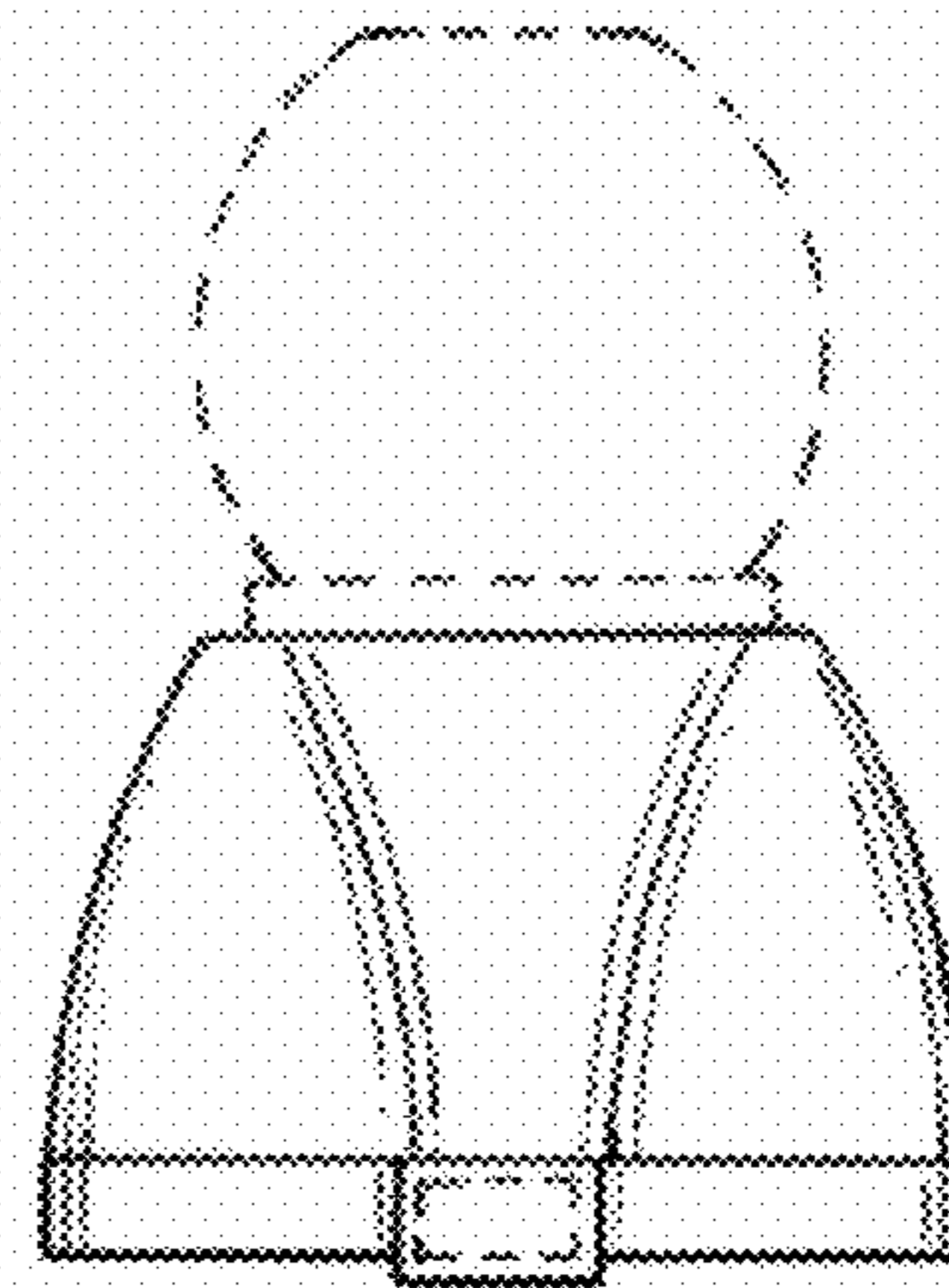


FIG. 6