



US00D670274S

(12) **United States Design Patent**  
**Katsumata et al.**

(10) **Patent No.:** **US D670,274 S**  
(45) **Date of Patent:** **\*\* Nov. 6, 2012**

(54) **EARPHONE**

(75) Inventors: **Jun Katsumata**, Tokyo (JP); **So Morimoto**, Tokyo (JP); **Sohei Kitayama**, Tokyo (JP)

(73) Assignee: **Sony Corporation**, Tokyo (JP)

(\*\*) Term: **14 Years**

(21) Appl. No.: **29/371,962**

(22) Filed: **Feb. 24, 2012**

(30) **Foreign Application Priority Data**

Aug. 26, 2011	(CN)	.....	2011 3 0293385
Aug. 29, 2011	(JP)	.....	D2011-019468
Aug. 29, 2011	(JP)	.....	D2011-019469
Aug. 29, 2011	(JP)	.....	D2011-019470
Aug. 29, 2011	(JP)	.....	D2011-019471
Aug. 31, 2011	(JP)	.....	D2011-019738
Aug. 31, 2011	(JP)	.....	D2011-019744
Aug. 31, 2011	(JP)	.....	D2011-019745
Aug. 31, 2011	(JP)	.....	D2011-019747

(51) **LOC (9) Cl.** ..... **14-01**

(52) **U.S. Cl.** ..... **D14/223**

(58) **Field of Classification Search** ..... D14/205,  
D14/206, 223; 181/129, 130, 135; 379/430,  
379/431; 381/380, 381; 128/864, 865; 455/90.3,  
455/575.2

See application file for complete search history.

(56) **References Cited**

**U.S. PATENT DOCUMENTS**

D287,247	S	12/1986	Anno	
5,222,151	A *	6/1993	Nagayoshi et al.	381/380
D384,958	S	10/1997	Shudo	
6,122,369	A *	9/2000	Hwang et al.	379/420.04
6,411,722	B1 *	6/2002	Wolf	381/371
6,668,064	B1 *	12/2003	Lin	381/380

(Continued)

**FOREIGN PATENT DOCUMENTS**

JP	D1343042	S	10/2008
JP	D1343043	S	10/2008

*Primary Examiner* — Paula Greene

(74) *Attorney, Agent, or Firm* — Rader, Fishman & Grauer PLLC

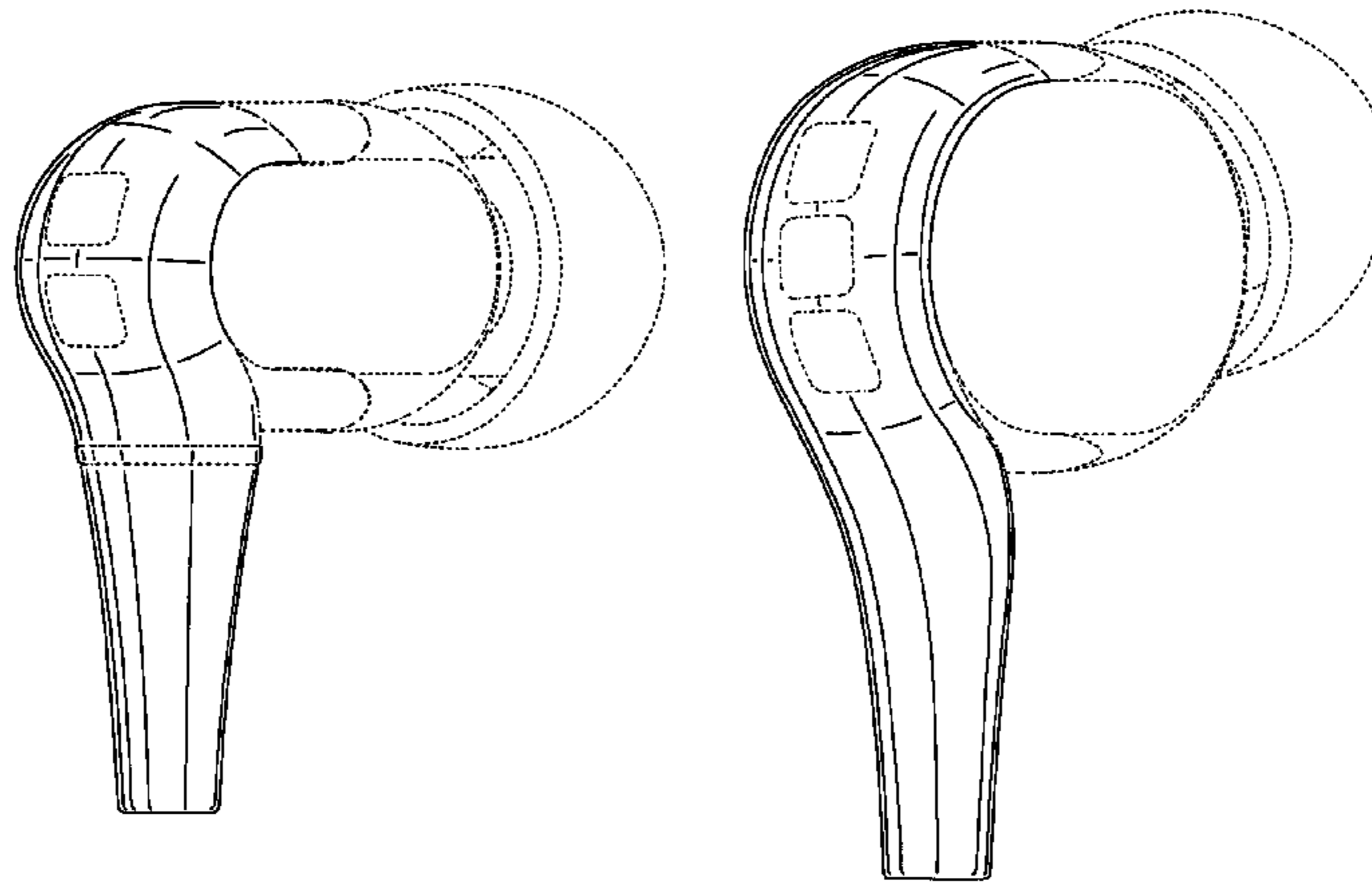
(57) **CLAIM**

The ornamental design for an earphone, as shown and described.

**DESCRIPTION**

FIG. 1 is a front, top, right perspective view of a first embodiment of an earphone showing our new design;  
 FIG. 2 is a rear left perspective view thereof;  
 FIG. 3 is a front elevational view thereof;  
 FIG. 4 is a rear elevational view thereof;  
 FIG. 5 is a left side elevational view thereof;  
 FIG. 6 is a right side elevational view thereof;  
 FIG. 7 is a top plan view thereof; and  
 FIG. 8 is a bottom plan view thereof.  
 FIG. 9 is a front, top, right perspective view of a second embodiment of an earphone showing our new design;  
 FIG. 10 is a rear, left perspective view thereof;  
 FIG. 11 is a front elevational view thereof;  
 FIG. 12 is a rear elevational view thereof;  
 FIG. 13 is a left side elevational view thereof;  
 FIG. 14 is a right side elevational view thereof;  
 FIG. 15 is a top plan view thereof; and  
 FIG. 16 is a bottom plan view thereof  
 FIG. 17 is a front, top, right perspective view of a third embodiment of an earphone showing our new design;  
 FIG. 18 is a rear, left perspective view thereof;  
 FIG. 19 is a front elevational view thereof;  
 FIG. 20 is a rear elevational view thereof;  
 FIG. 21 is a left side elevational view thereof;  
 FIG. 22 is a right side elevational view thereof;  
 FIG. 23 is a top plan view thereof; and,  
 FIG. 24 is a bottom plan view thereof.  
 The portions indicated in broken lines are for illustrative purposes only and form no part of the claimed design. Dot-dash broken lines define the boundaries of, but are not included in, the claimed design.

**1 Claim, 18 Drawing Sheets**



# US D670,274 S

Page 2

---

## U.S. PATENT DOCUMENTS

6,731,772	B1 *	5/2004	Byun	.....	381/380				
D523,846	S *	6/2006	Lee	.....	D14/205				
D542,782	S *	5/2007	Pena Angarita	.....	D14/223				
D568,291	S *	5/2008	Andre et al.	.....	D14/205				
D587,677	S *	3/2009	Andre et al.	.....	D14/205				
D587,681	S	3/2009	Yanai						
D589,491	S *	3/2009	Andre et al.	.....	D14/205				
D590,371	S *	4/2009	Leinvuo	.....	D14/205				
D591,722	S	5/2009	Densho						
D596,616	S *	7/2009	Andre et al.	.....	D14/205				
D599,330	S *	9/2009	Andre et al.	.....	D14/223				
D627,765	S	11/2010	Zheng						
D639,279	S *	6/2011	Andre et al.	.....	D14/223				
D641,738	S *	7/2011	Perez	.....	D14/223				
D656,481	S *	3/2012	McManigal	.....	D14/205				
D656,492	S *	3/2012	Huang	.....	D14/223				

\* cited by examiner

FIG.1

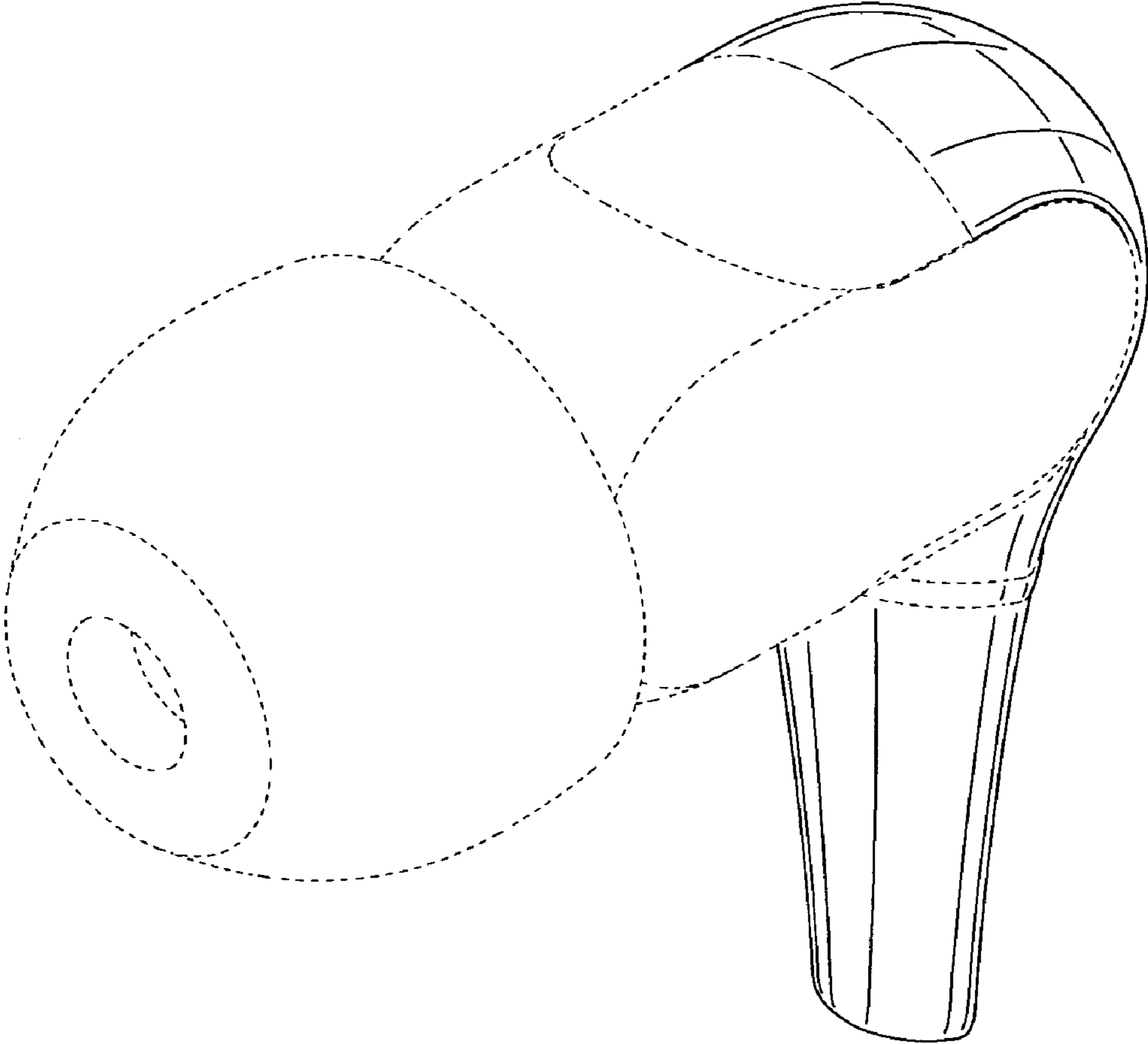


FIG.2

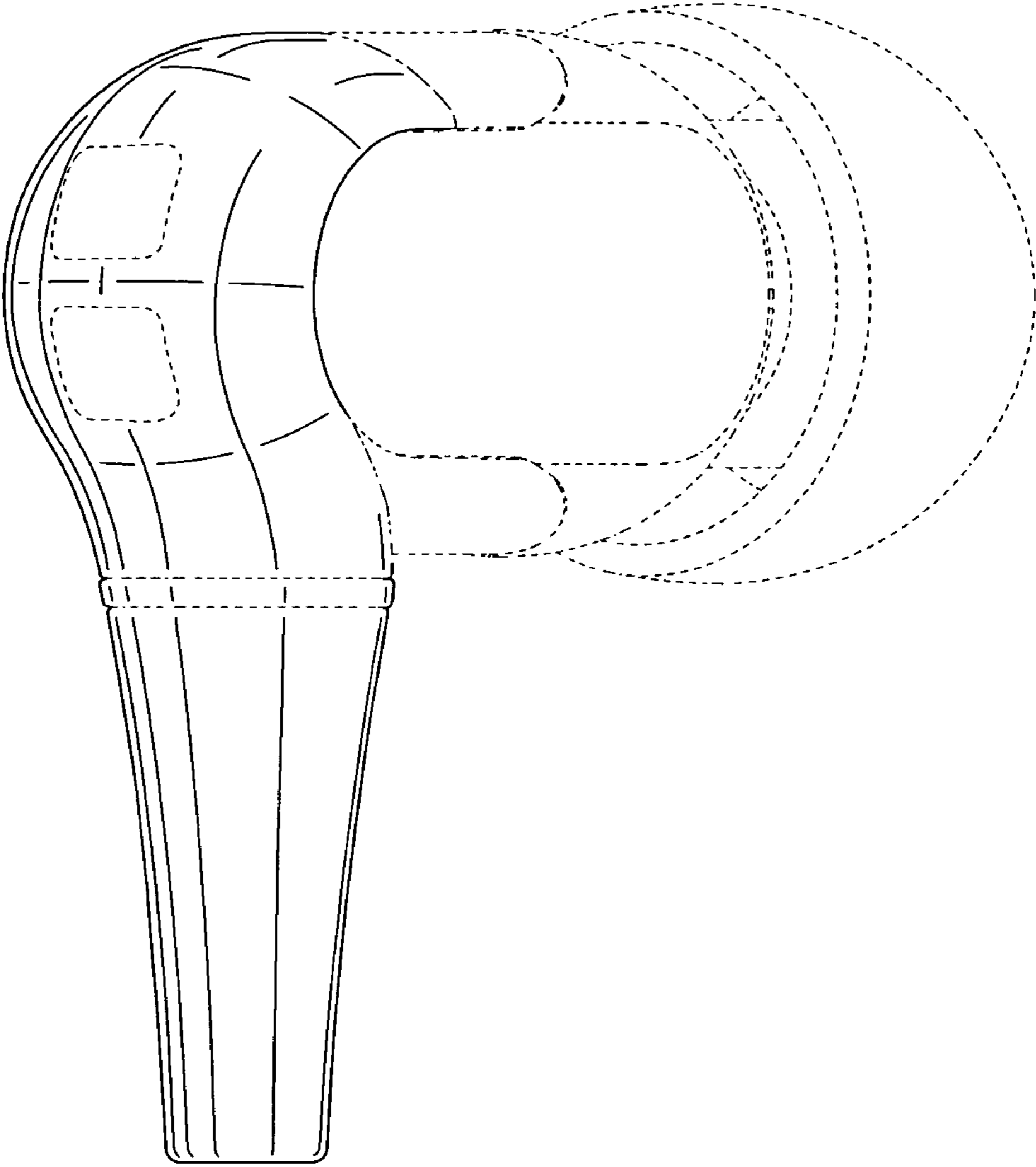


FIG.4

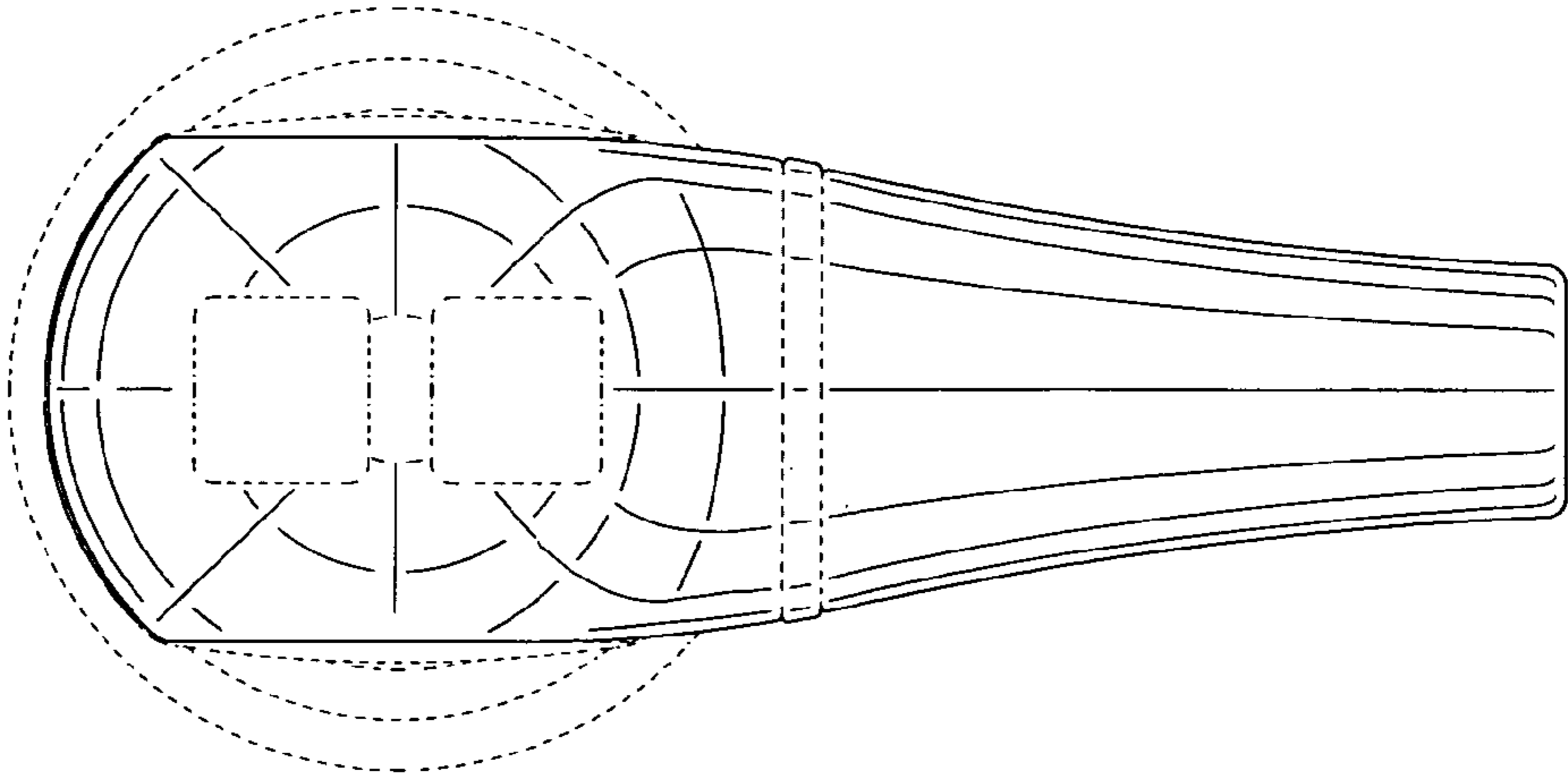


FIG.3

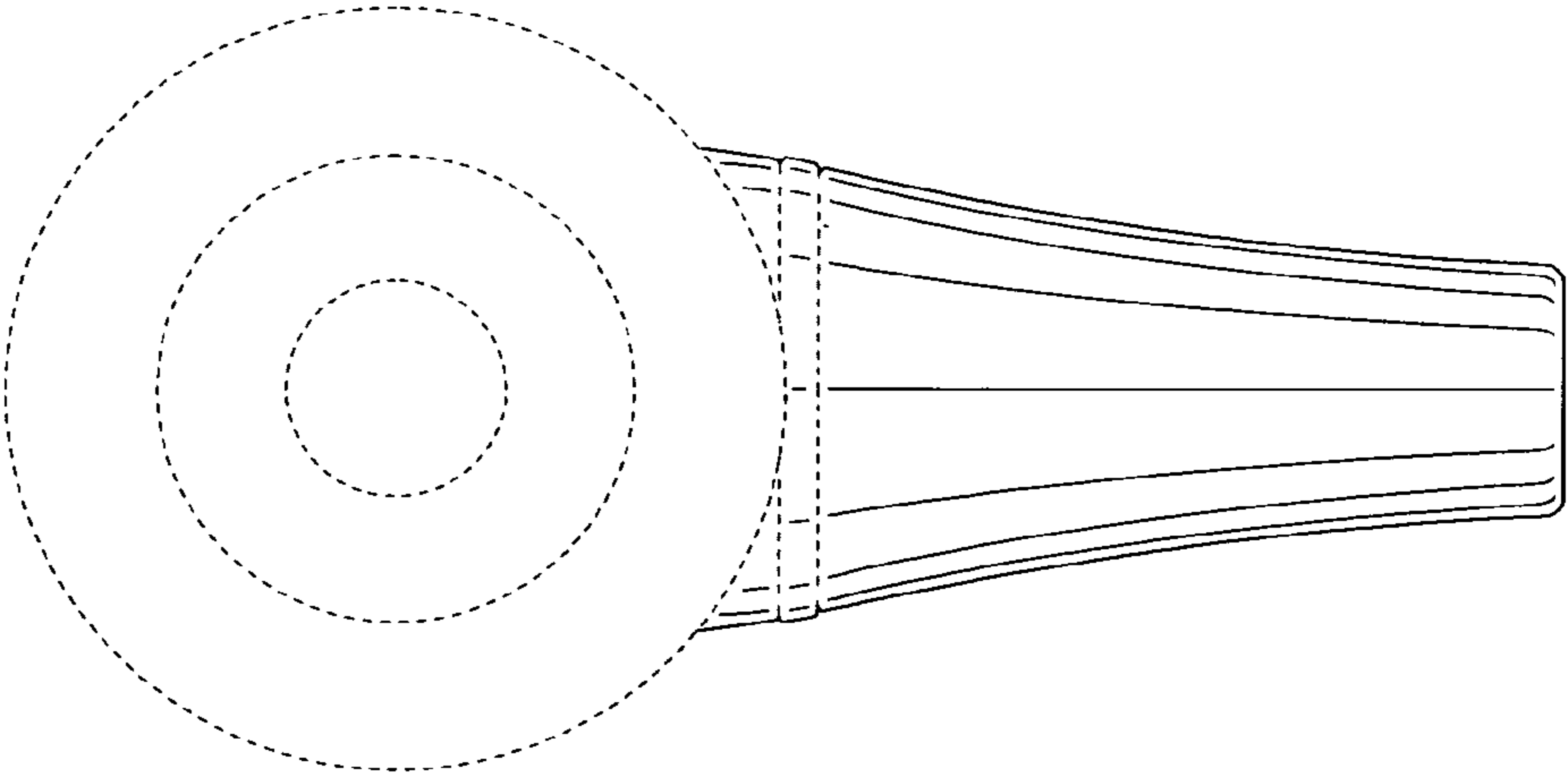


FIG.5

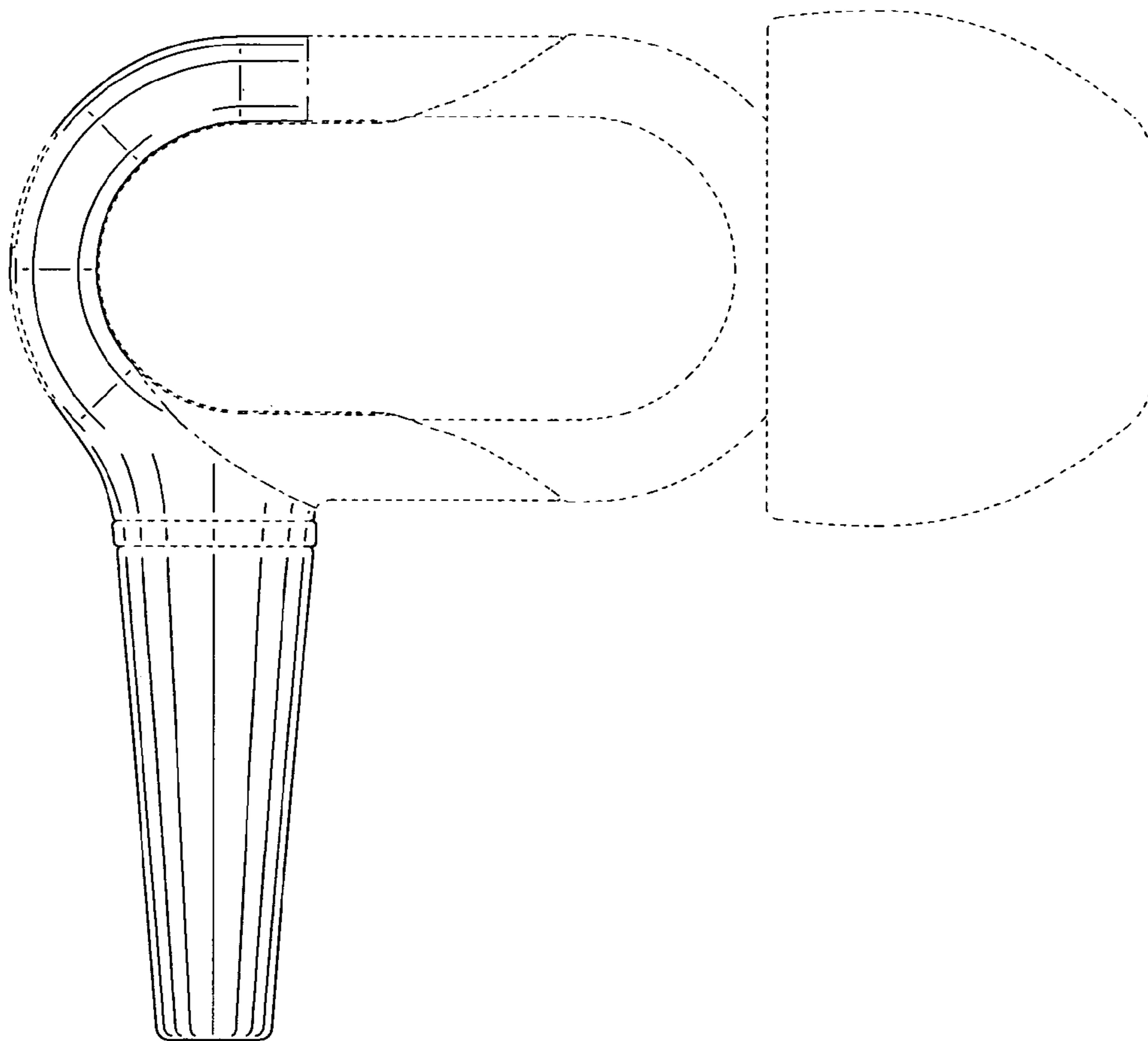


FIG.6

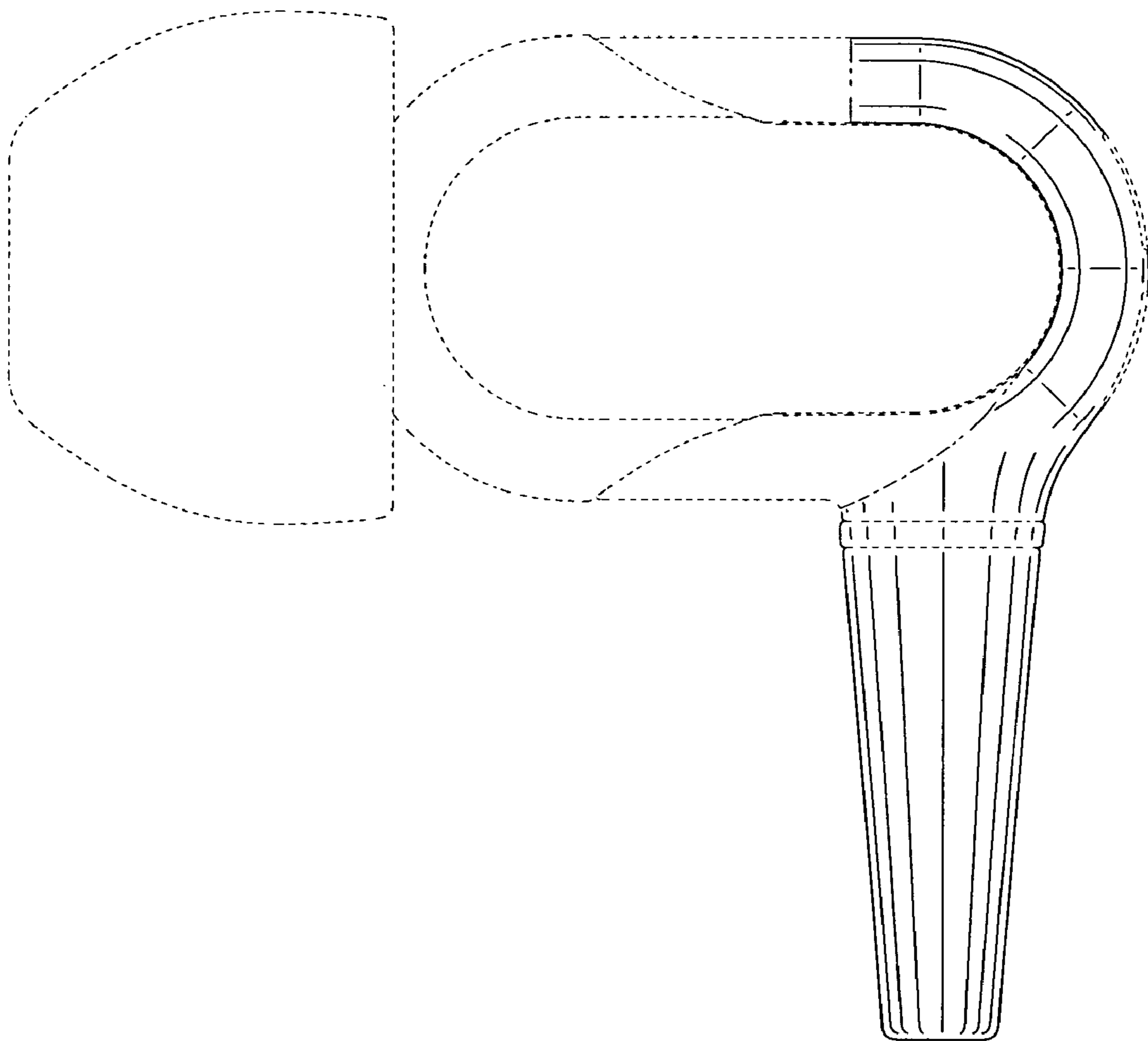




FIG.8

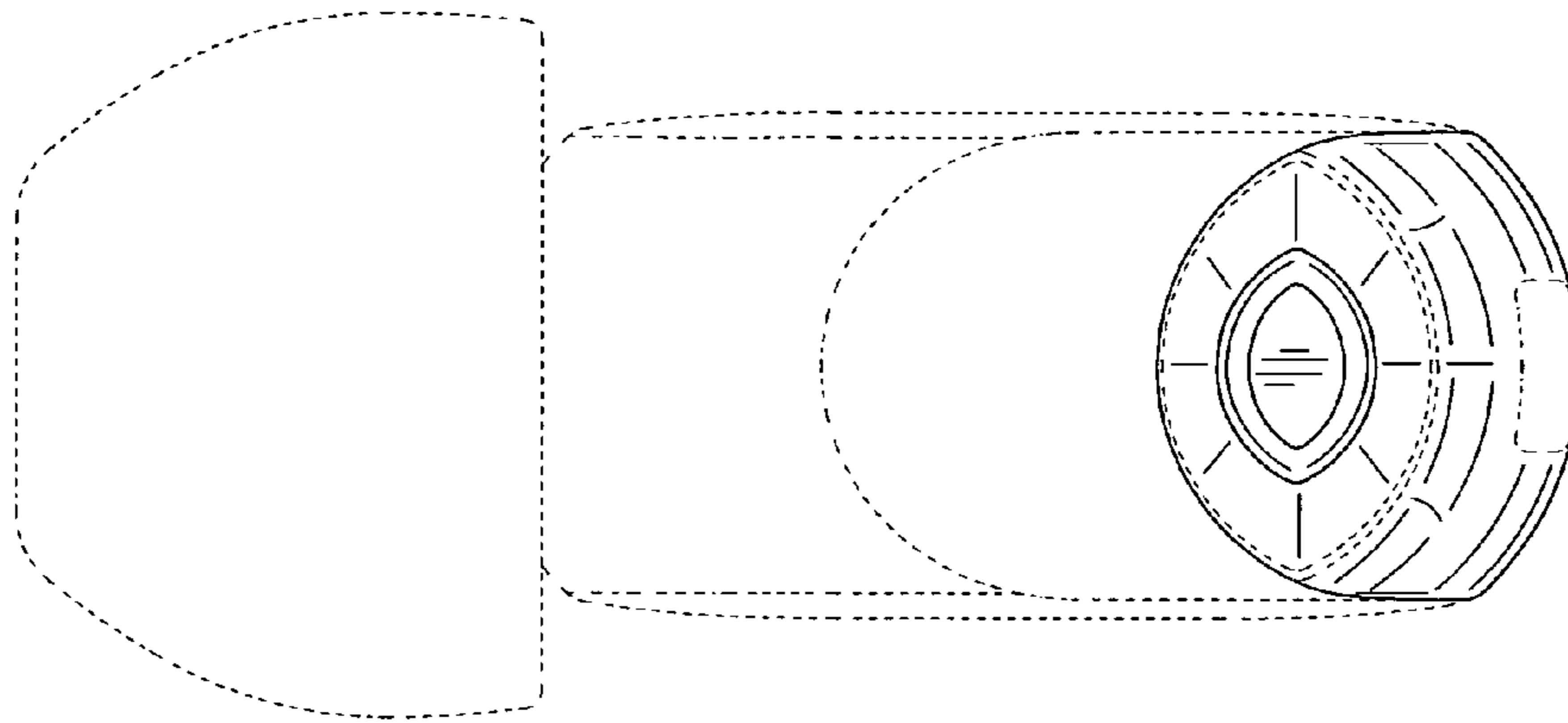


FIG.7

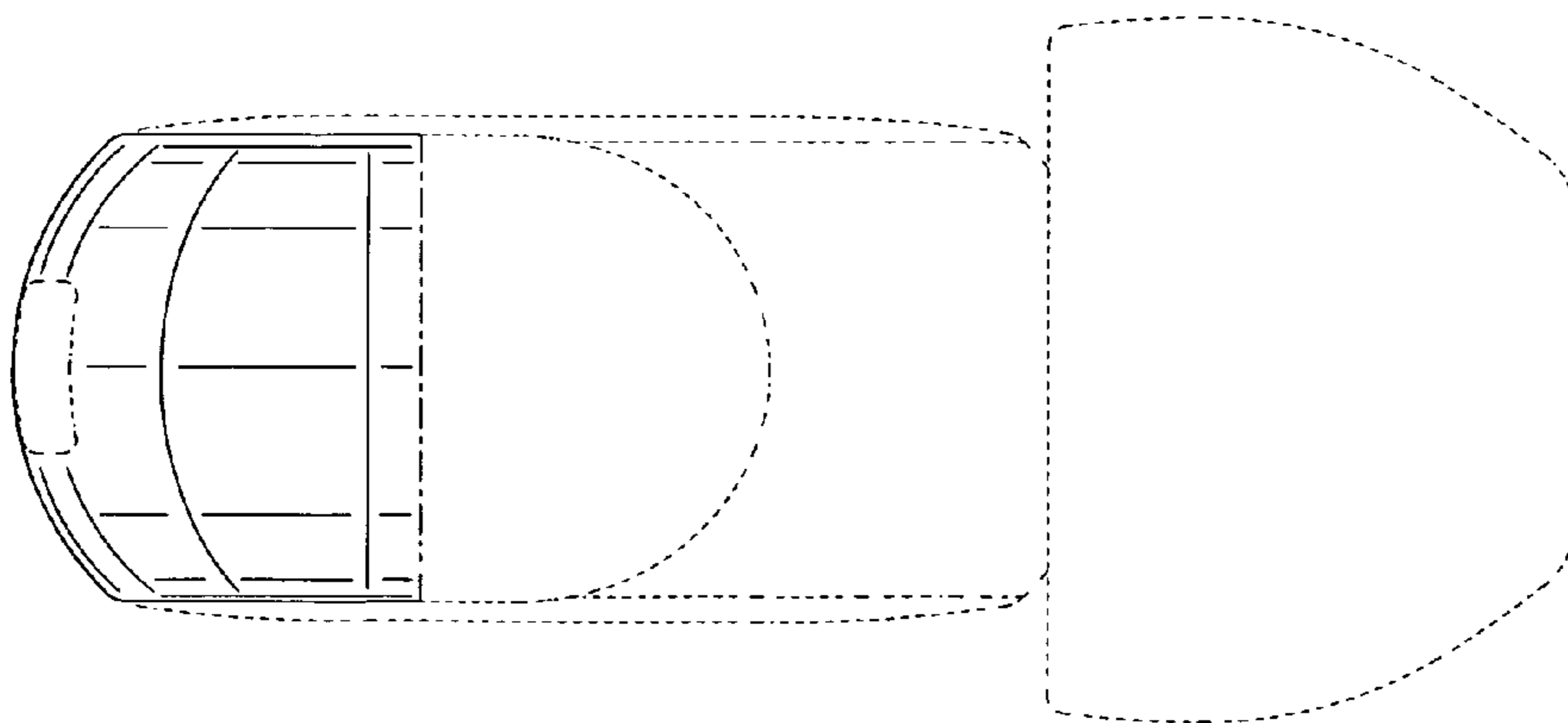




FIG.9

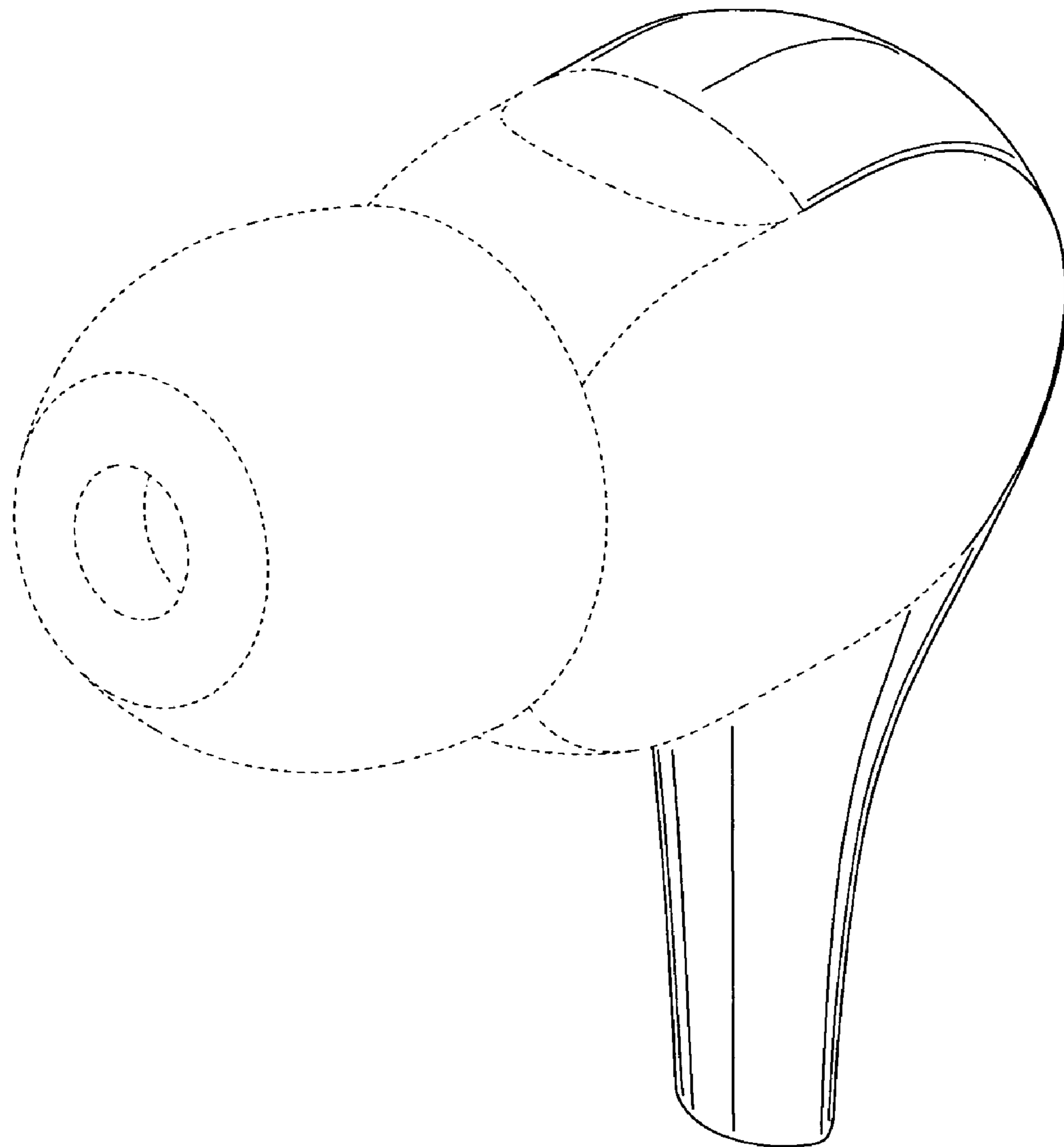
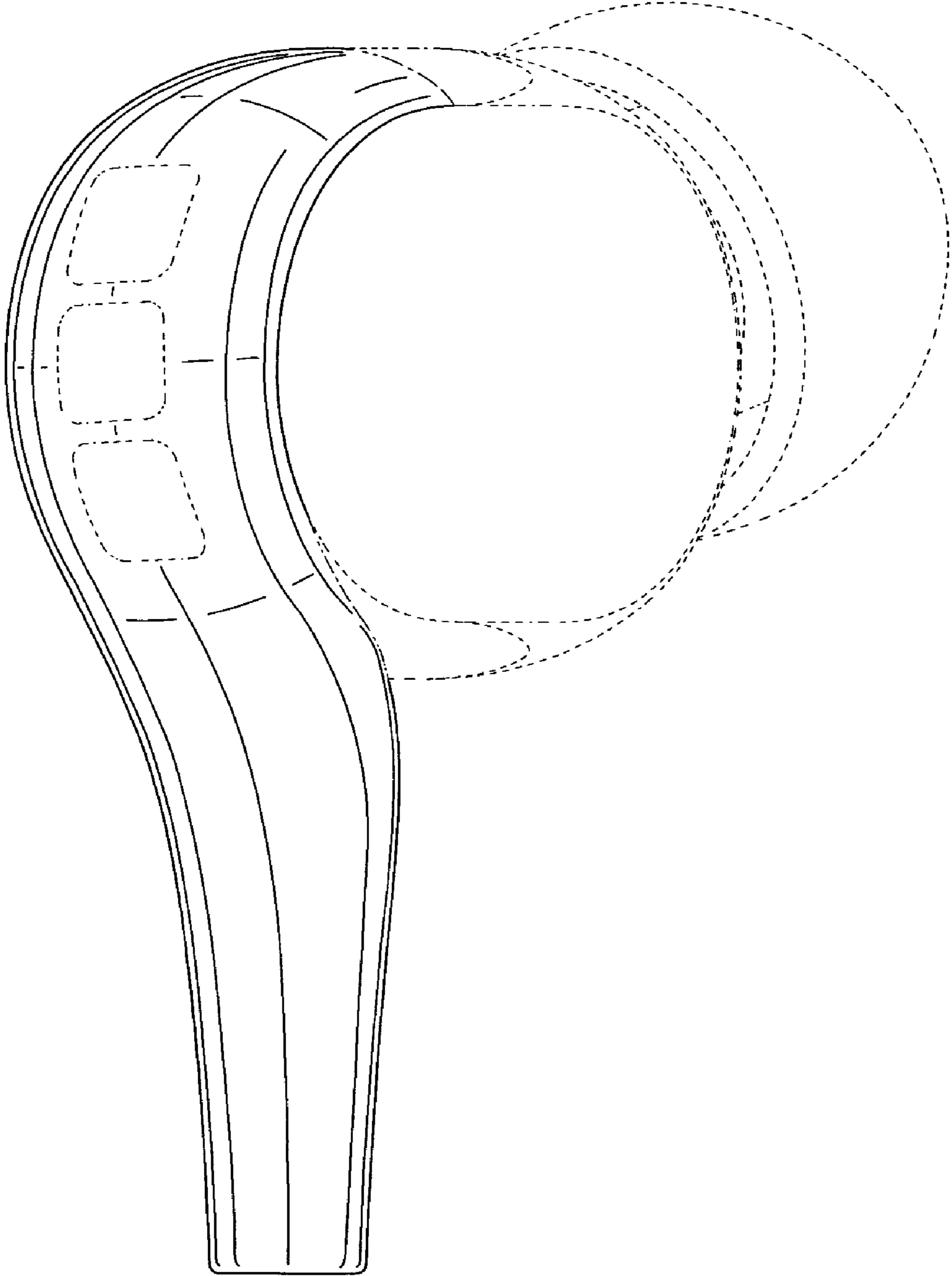


FIG.10



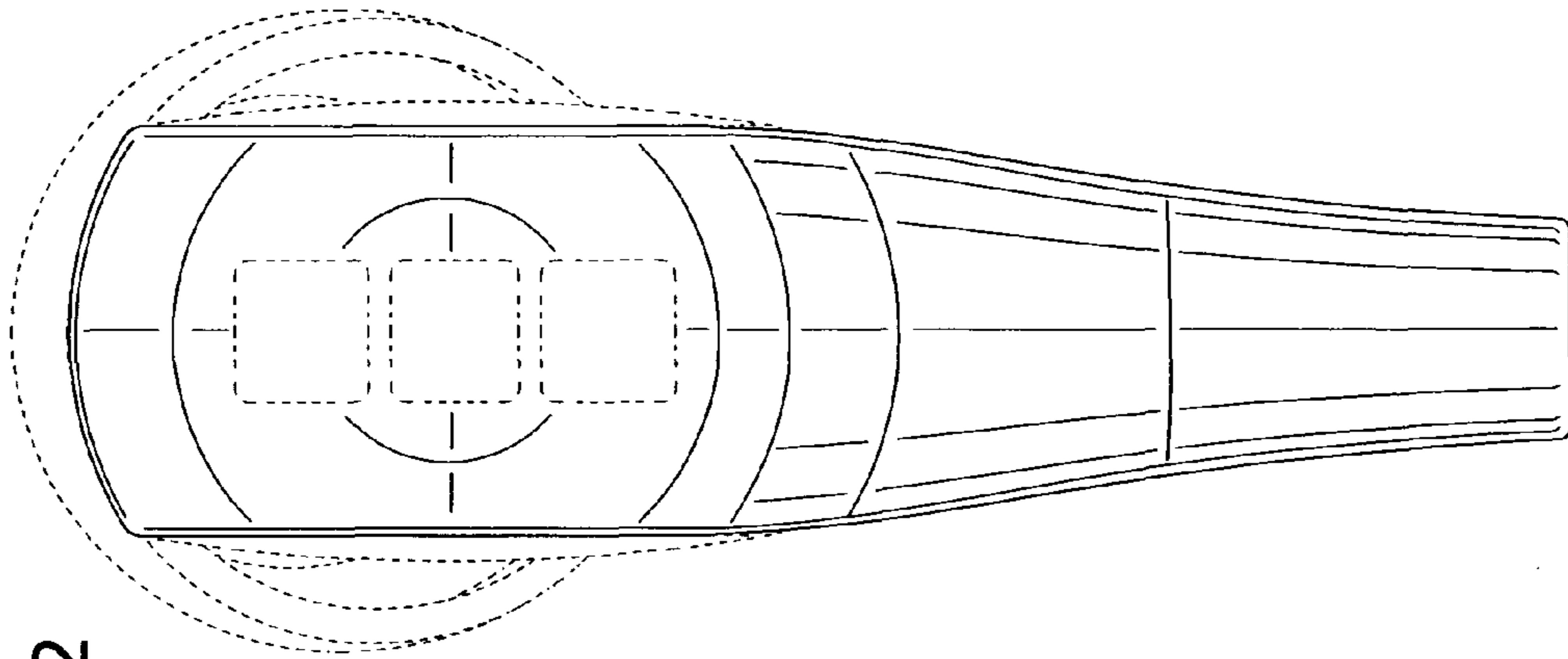


FIG.12

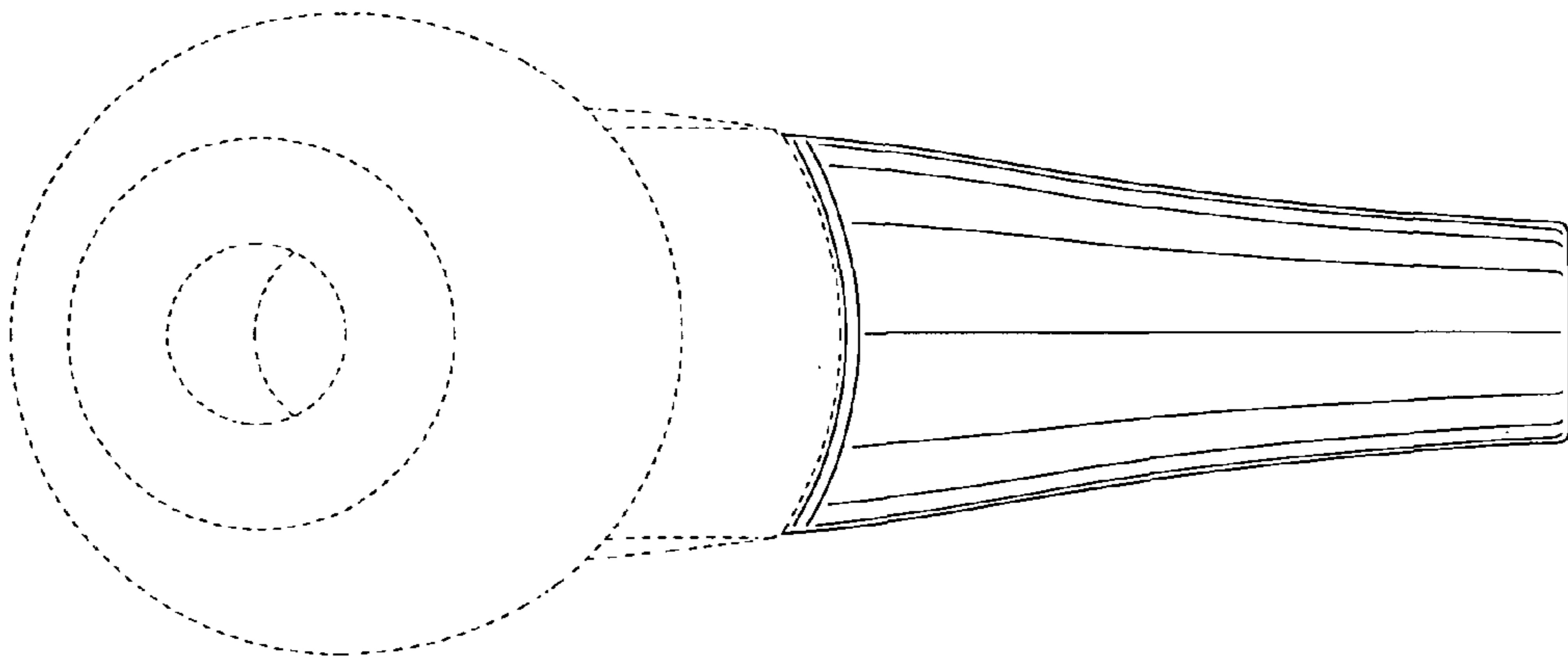


FIG.11

FIG.13

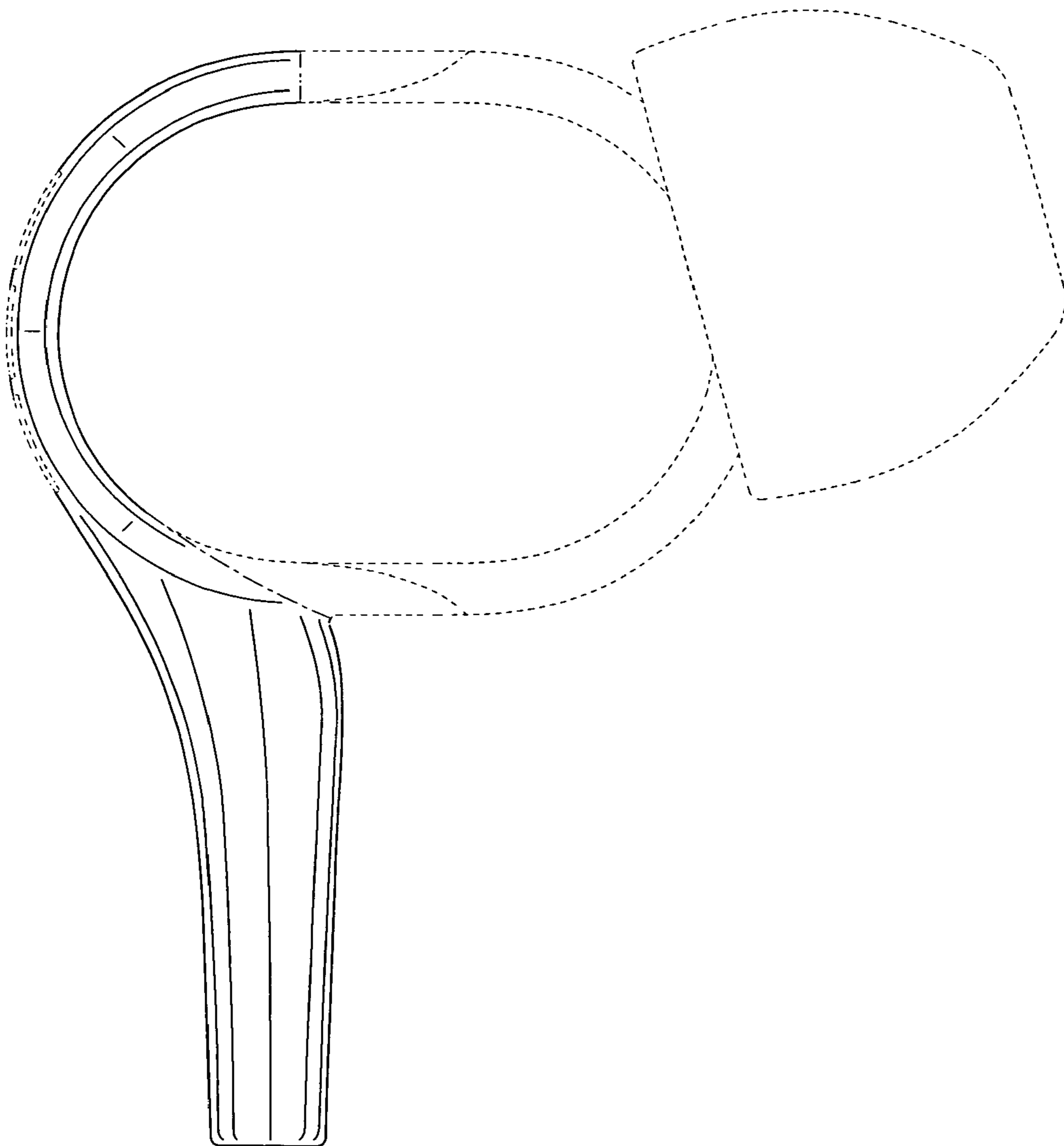
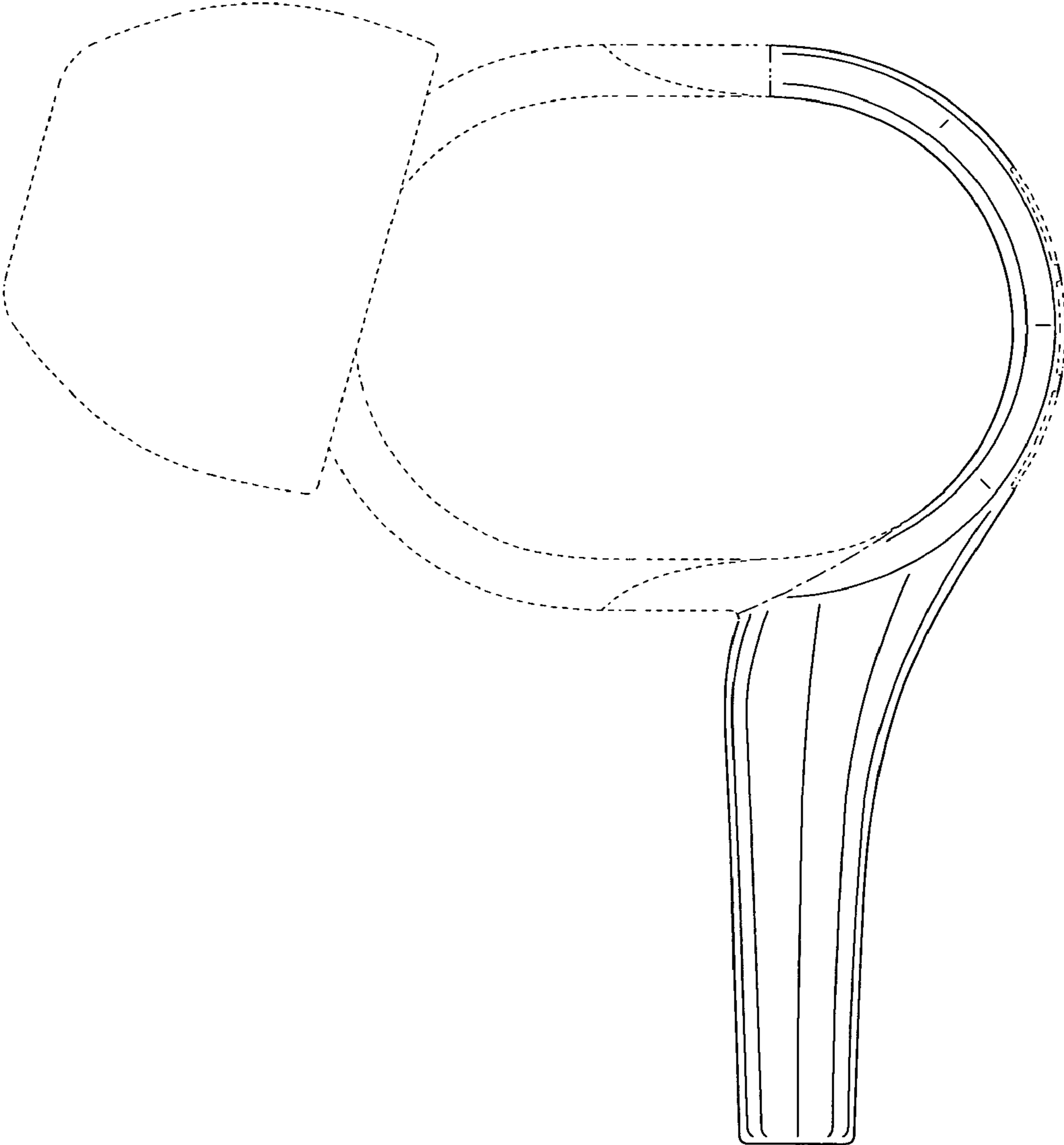


FIG.14



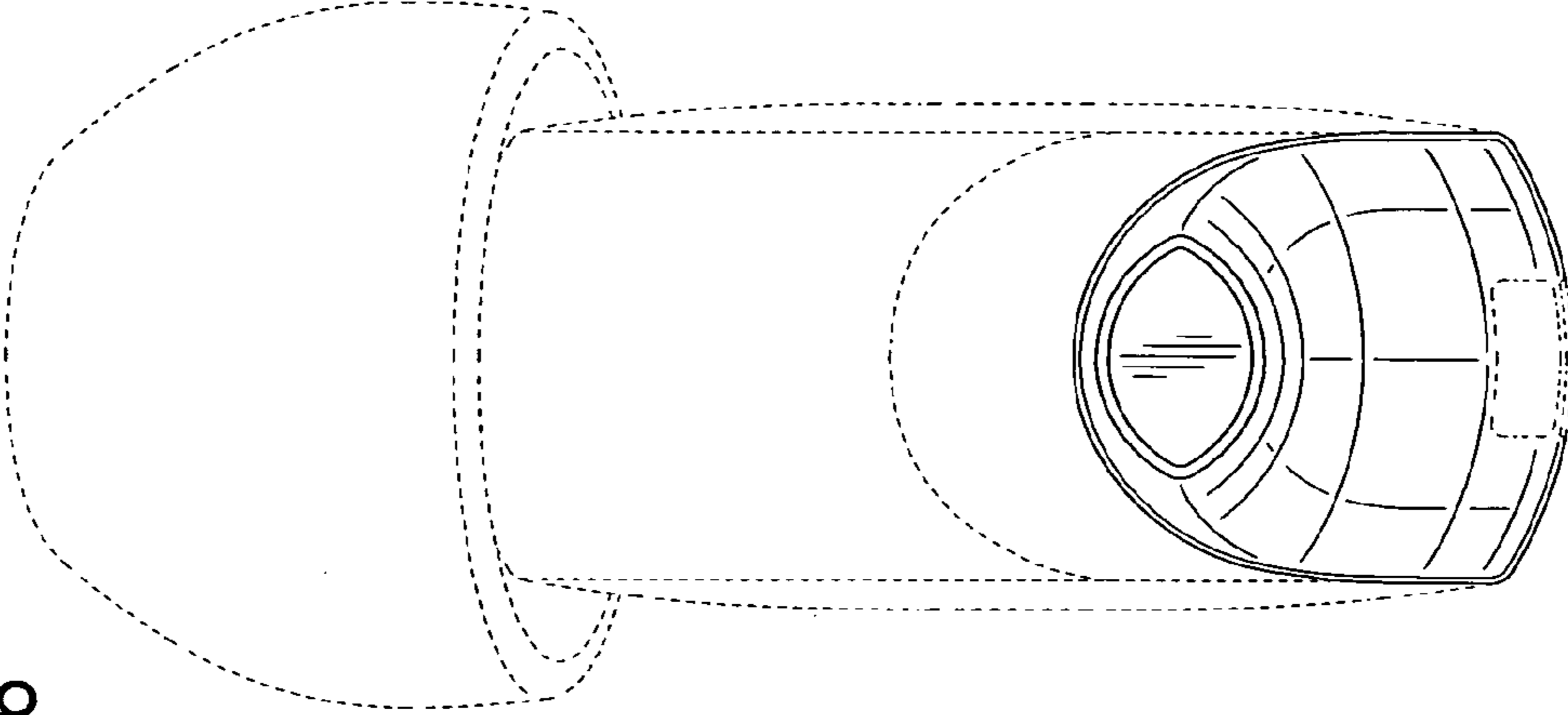


FIG.16

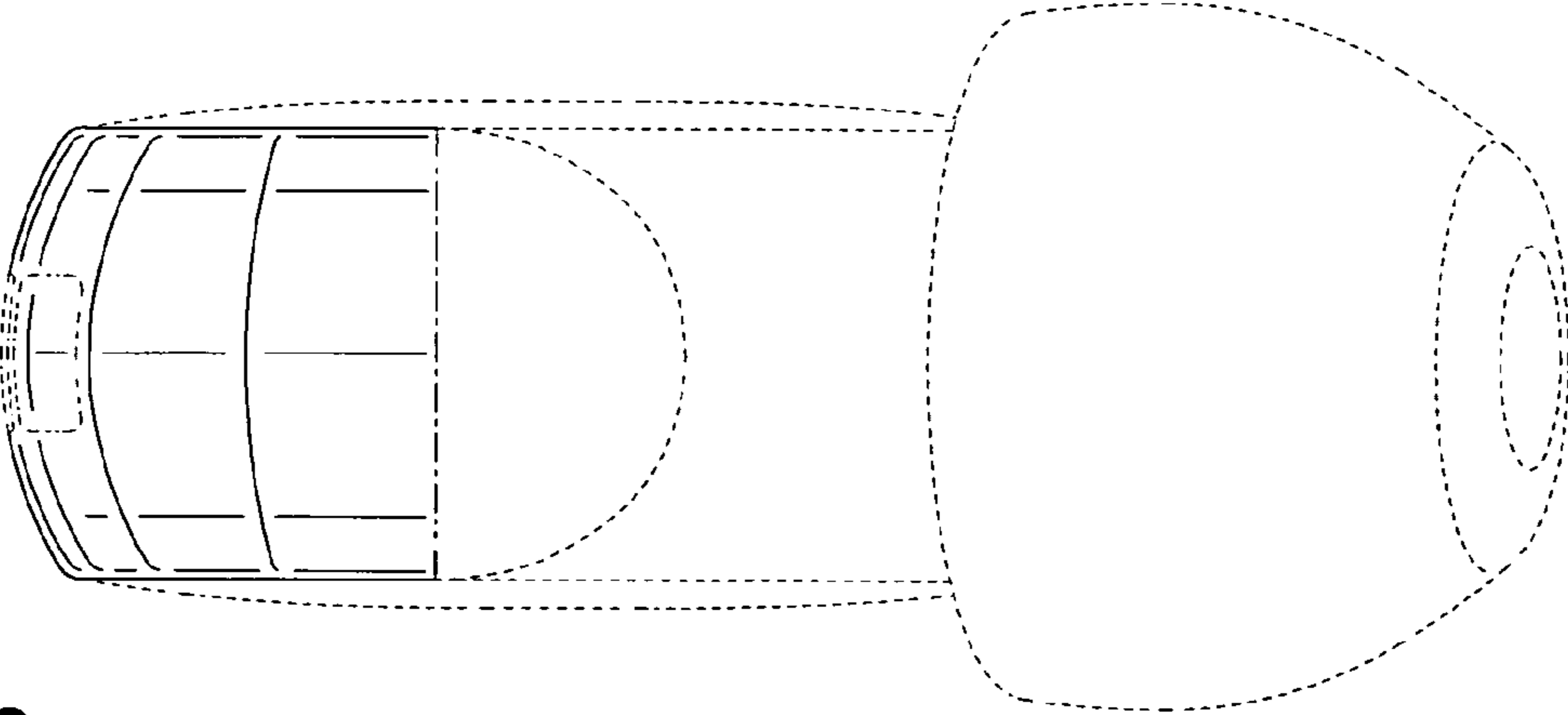


FIG.15

FIG.17

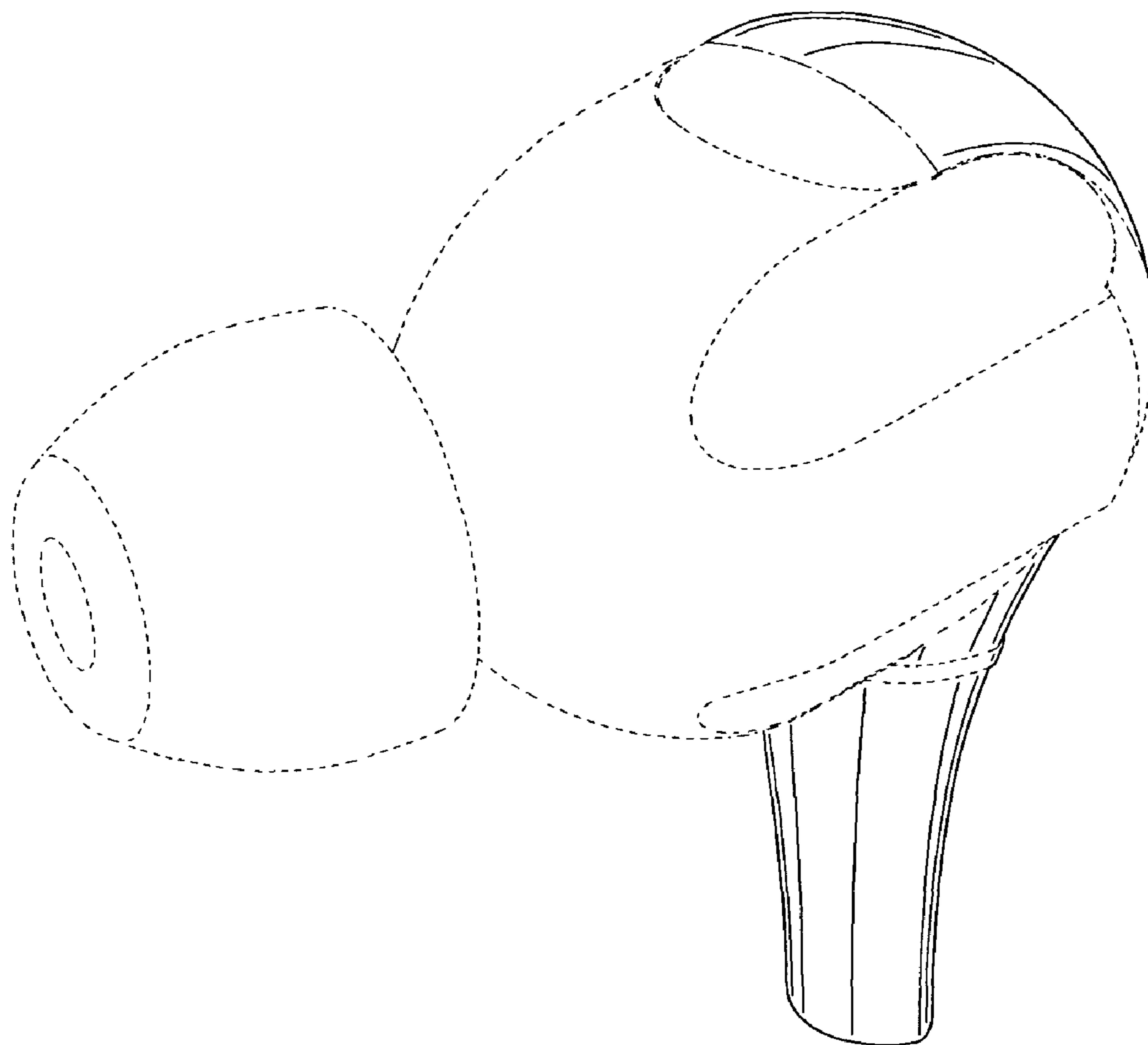




FIG.18

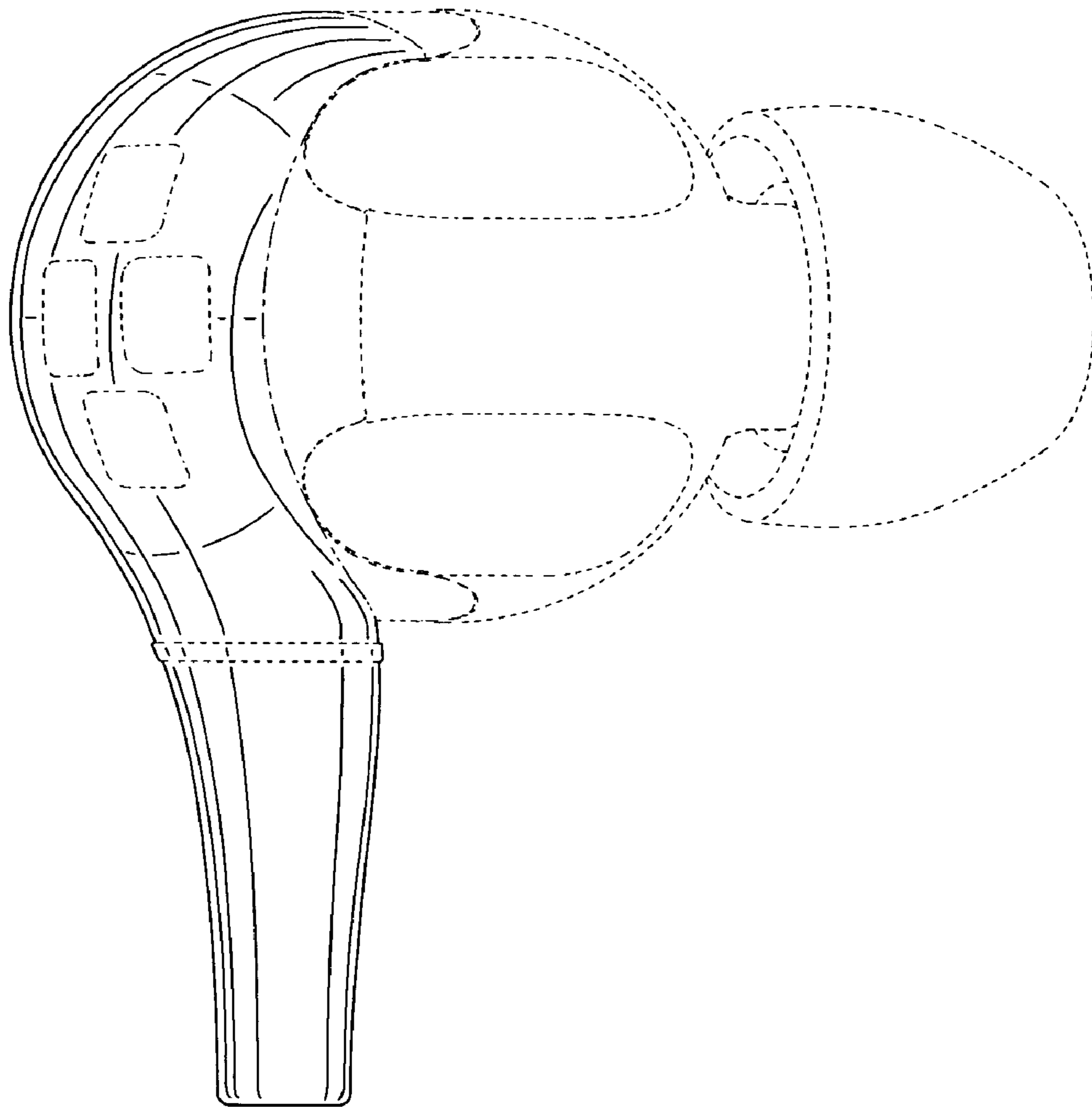


FIG.20

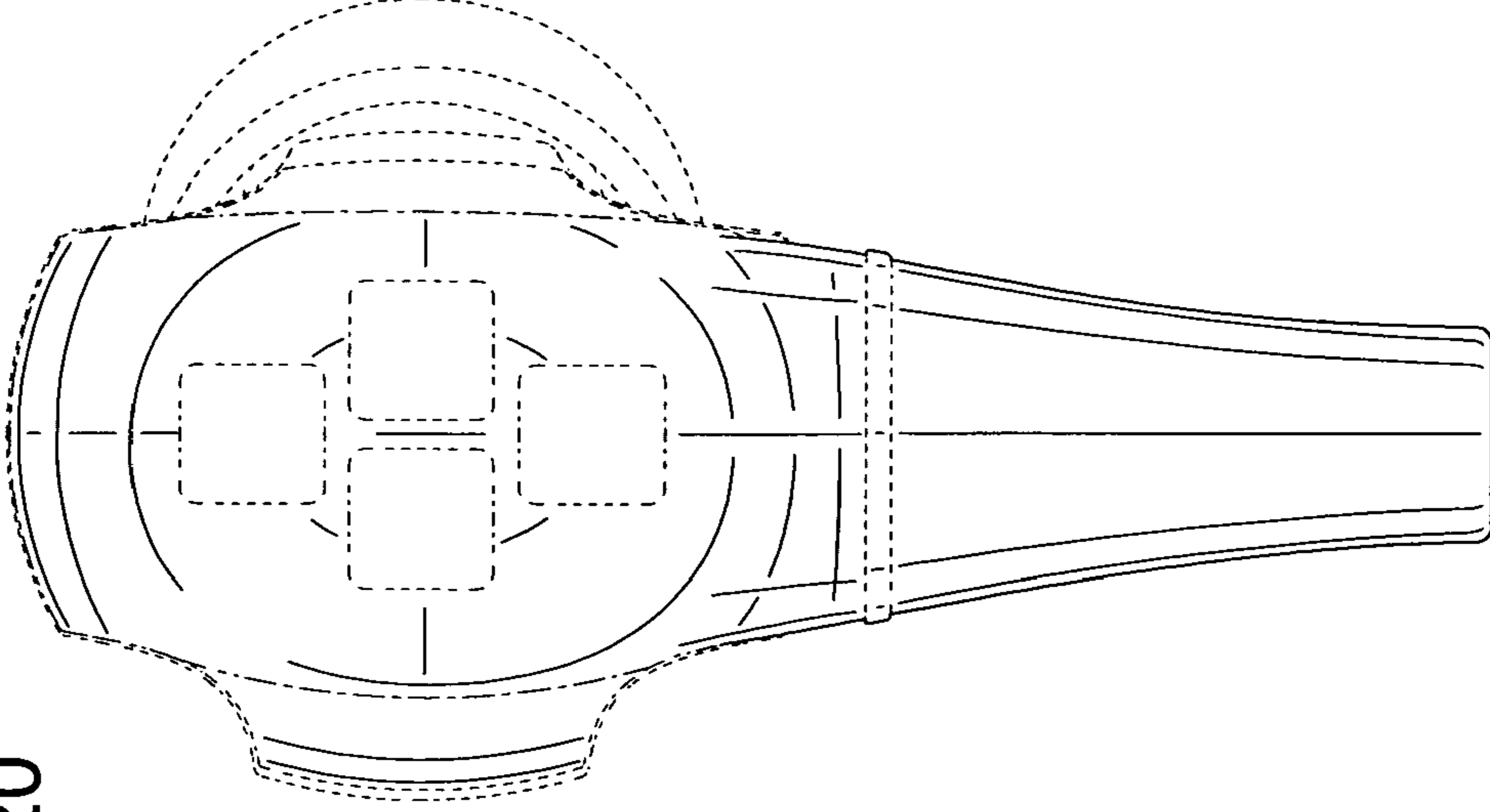


FIG.19

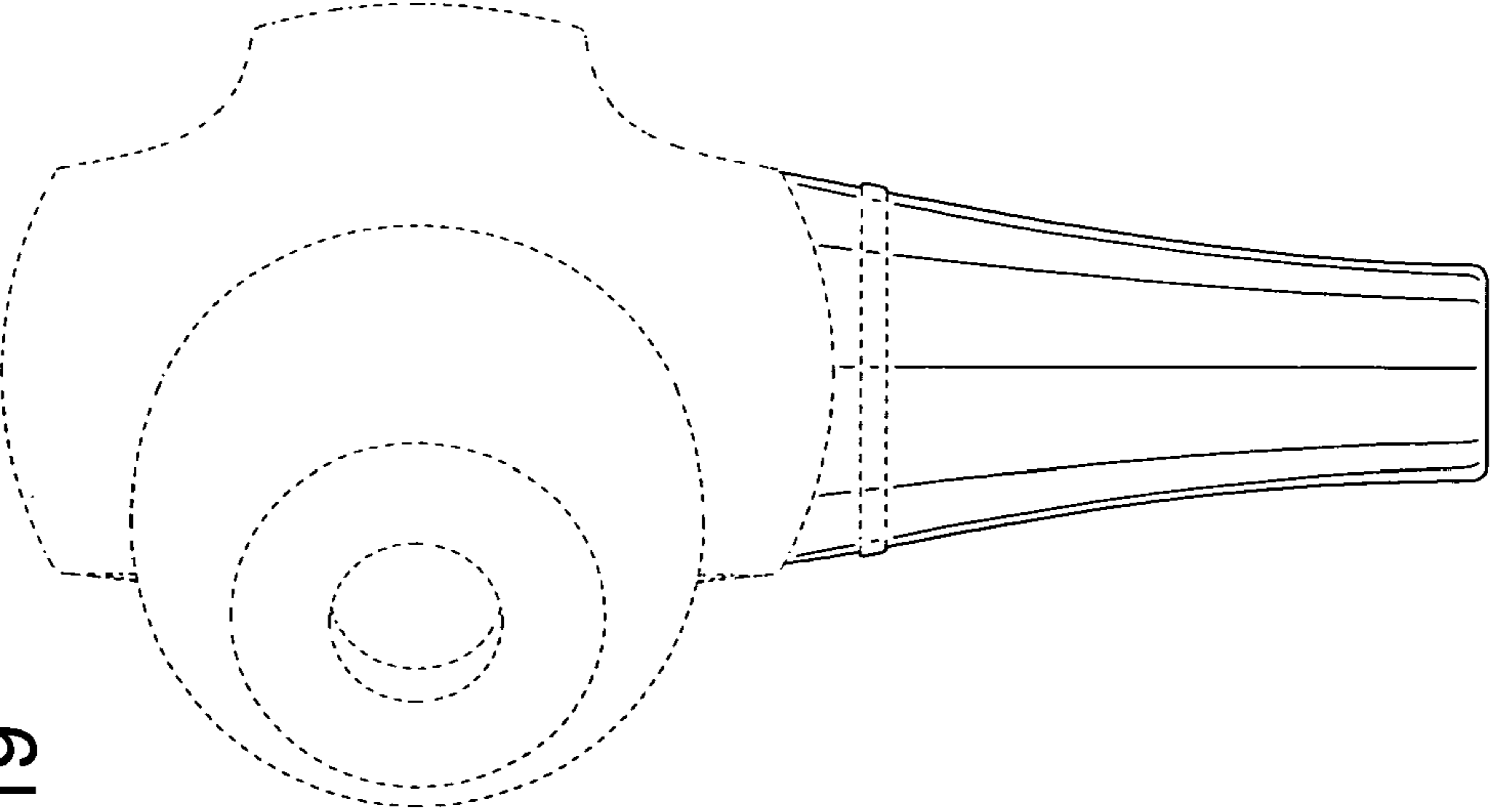


FIG.21

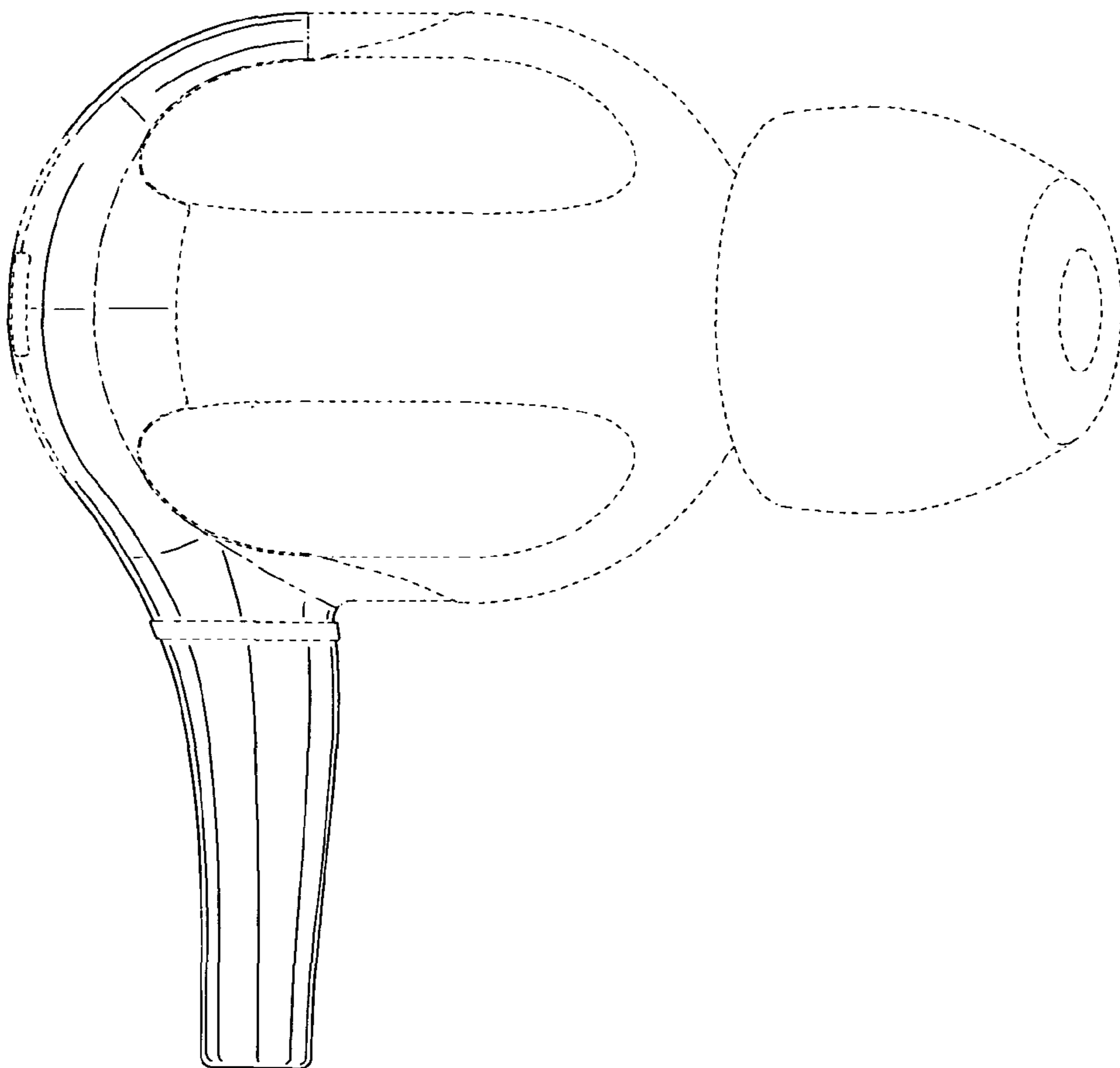


FIG.22

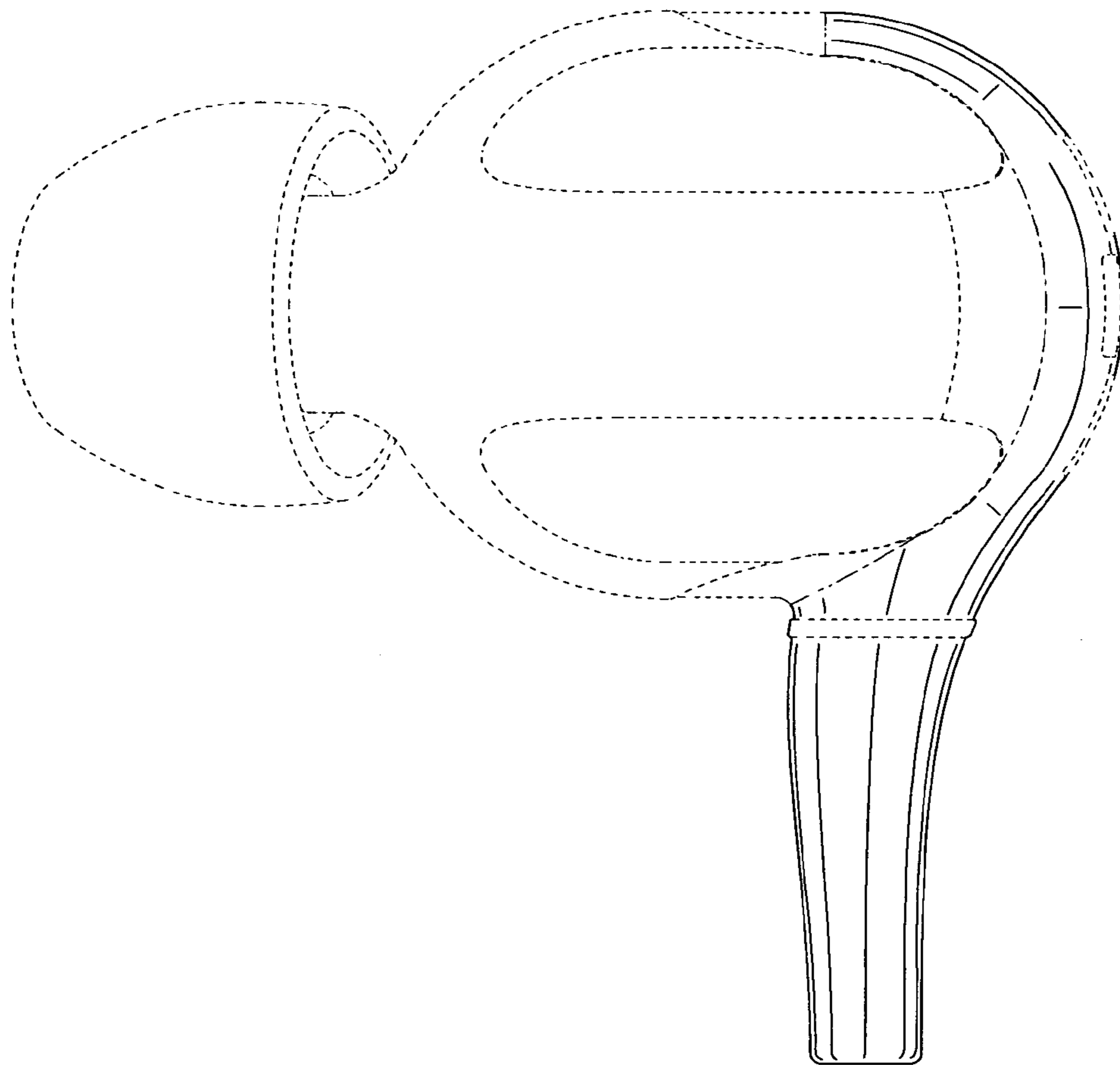


FIG.23

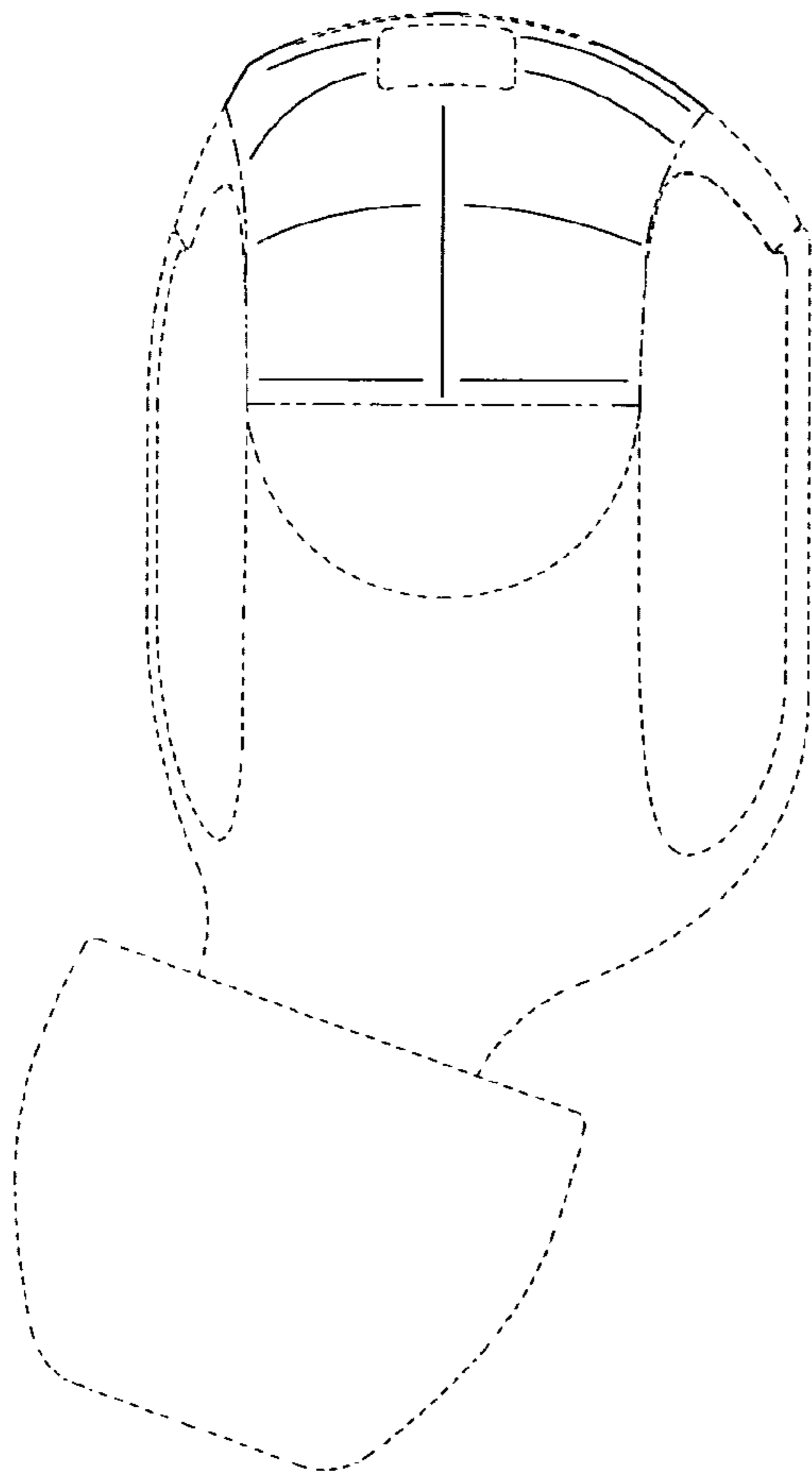


FIG.24

