



US00D670273S

(12) **United States Design Patent**
Hou

(10) **Patent No.:** **US D670,273 S**

(45) **Date of Patent:** **** Nov. 6, 2012**

(54) **BLUETOOTH HANDSET**

(75) Inventor: **Hsiang-Fei Hou**, New Taipei (TW)

(73) Assignee: **Cheng Uei Precision Industry Co., Ltd.**, New Taipei (TW)

(**) Term: **14 Years**

(21) Appl. No.: **29/404,691**

(22) Filed: **Oct. 24, 2011**

(51) **LOC (9) Cl.** **14-03**

(52) **U.S. Cl.** **D14/218**

(58) **Field of Classification Search** D14/218,
D14/455; D13/168; D21/566; D10/104,
D10/106; 345/169; 348/14.05, 114, 211.99,
348/734; 340/825.24; 341/22; 455/92, 95,
455/128, 151.1-151.4, 352, 355, FOR. 121;
700/65

See application file for complete search history.

(56) **References Cited**

U.S. PATENT DOCUMENTS

D113,432 S *	2/1939	Newman	D24/146
D218,102 S *	7/1970	Schwartz	D13/168
D387,863 S *	12/1997	Herman et al.	D24/133
D462,945 S *	9/2002	Skulley	D14/218
D530,681 S *	10/2006	Huang	D13/168

D566,051 S *	4/2008	Govindasamy	D13/168
D581,371 S *	11/2008	Richmond	D13/168
D596,167 S *	7/2009	Fleischer et al.	D14/228
D599,786 S *	9/2009	Metlen et al.	D14/225
D614,168 S *	4/2010	Rogers et al.	D14/206
D638,935 S *	5/2011	Gilmore, Iii et al.	D24/133
D643,832 S *	8/2011	Park	D14/218
D651,589 S *	1/2012	Fischer	D14/218
D659,106 S *	5/2012	Paul	D13/168
2006/0213756 A1 *	9/2006	Takachi	200/302.2

* cited by examiner

Primary Examiner — John Windmuller

(74) *Attorney, Agent, or Firm* — Lin & Associates IP, Inc.

(57) **CLAIM**

The ornamental design for a bluetooth handset, as shown and described.

DESCRIPTION

FIG. 1 is a perspective view of a bluetooth handset showing my new design;

FIG. 2 is a front elevational view thereof;

FIG. 3 is a rear elevational view thereof;

FIG. 4 is a left side elevational view thereof;

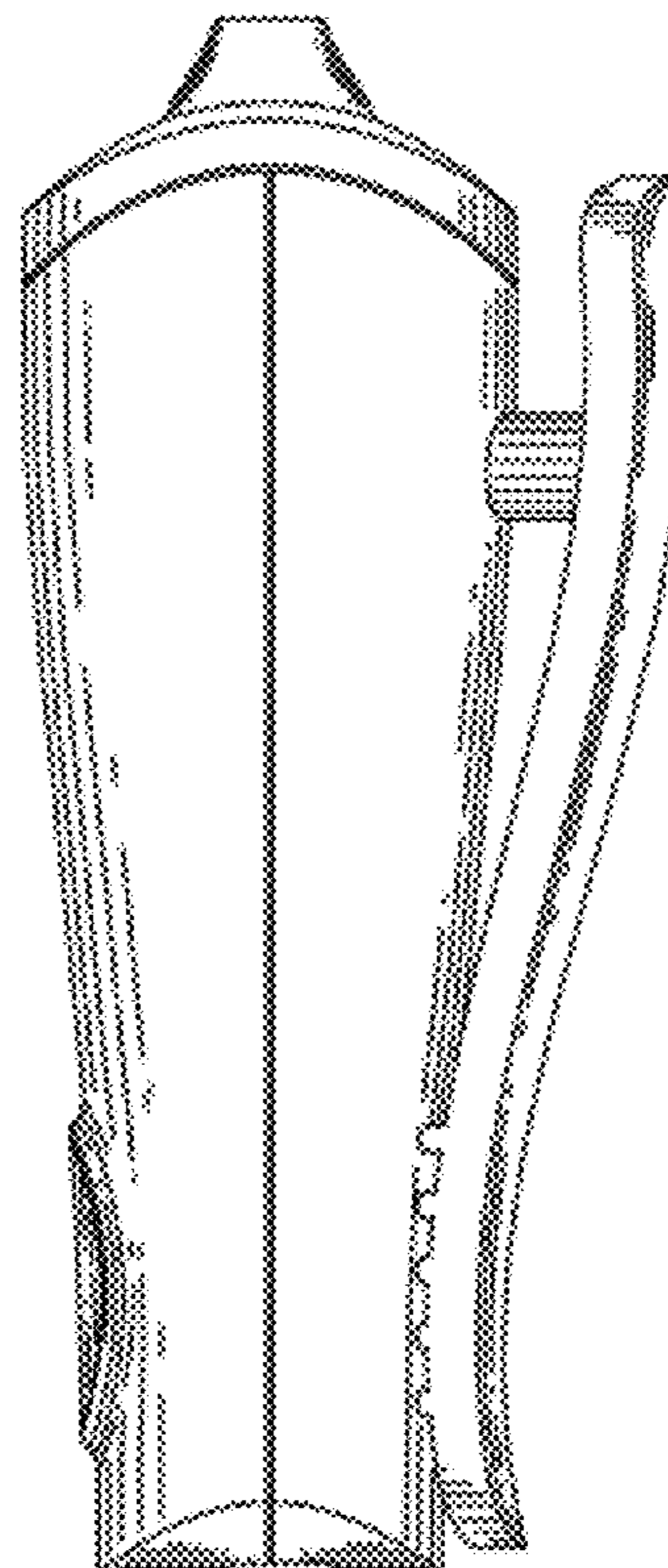
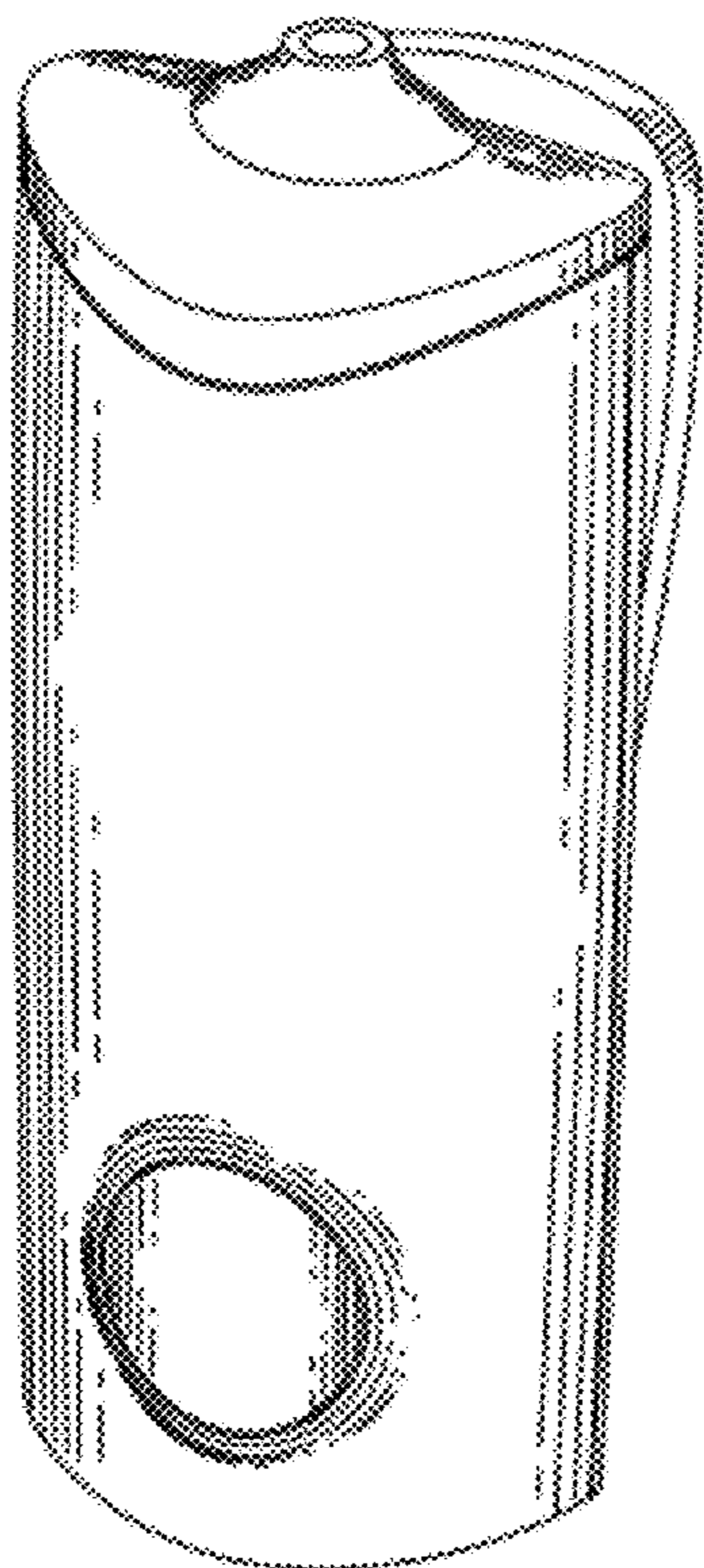
FIG. 5 is a right side elevational view thereof;

FIG. 6 is a top plan view thereof;

FIG. 7 is a bottom plan view thereof; and,

FIG. 8 is another perspective view of the bluetooth handset showing my new design.

1 Claim, 8 Drawing Sheets



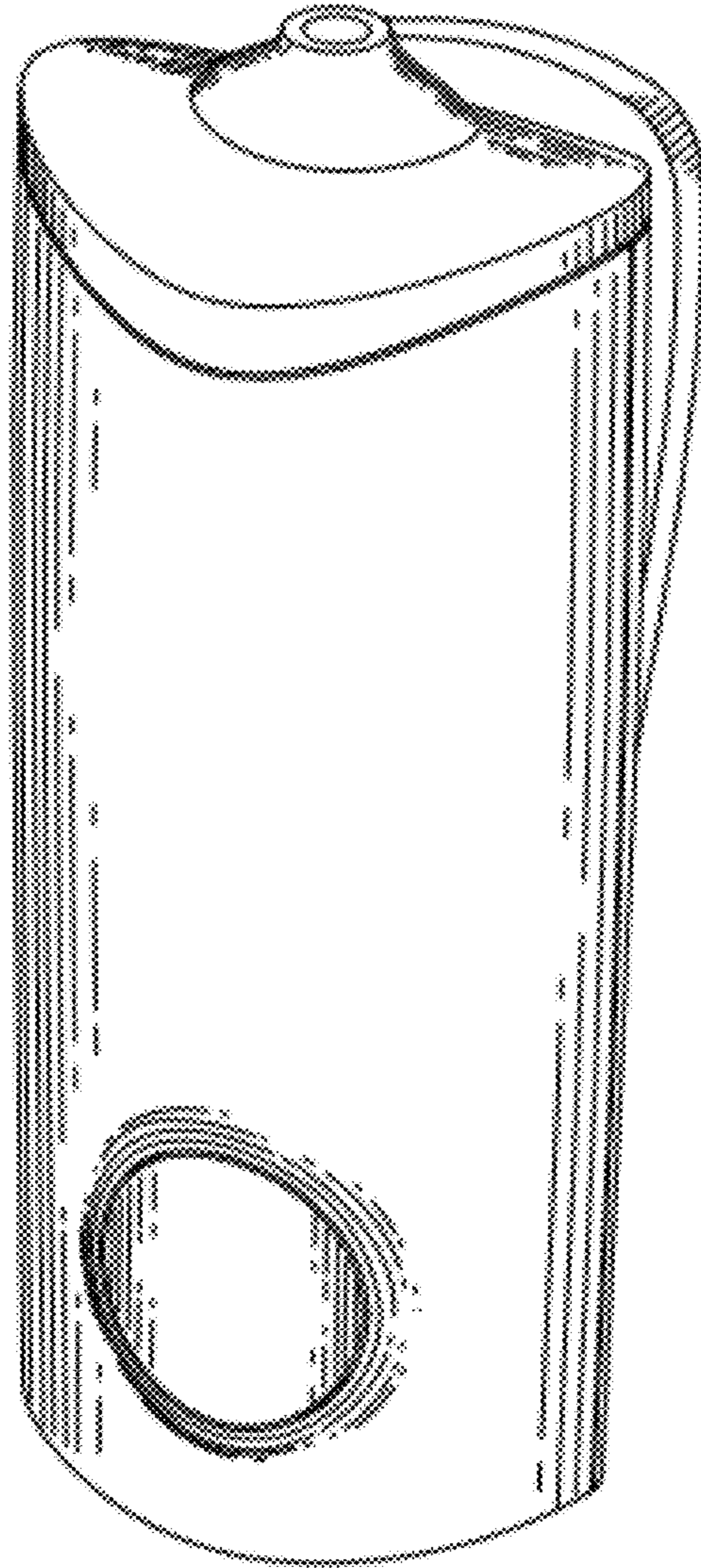


FIG. 1

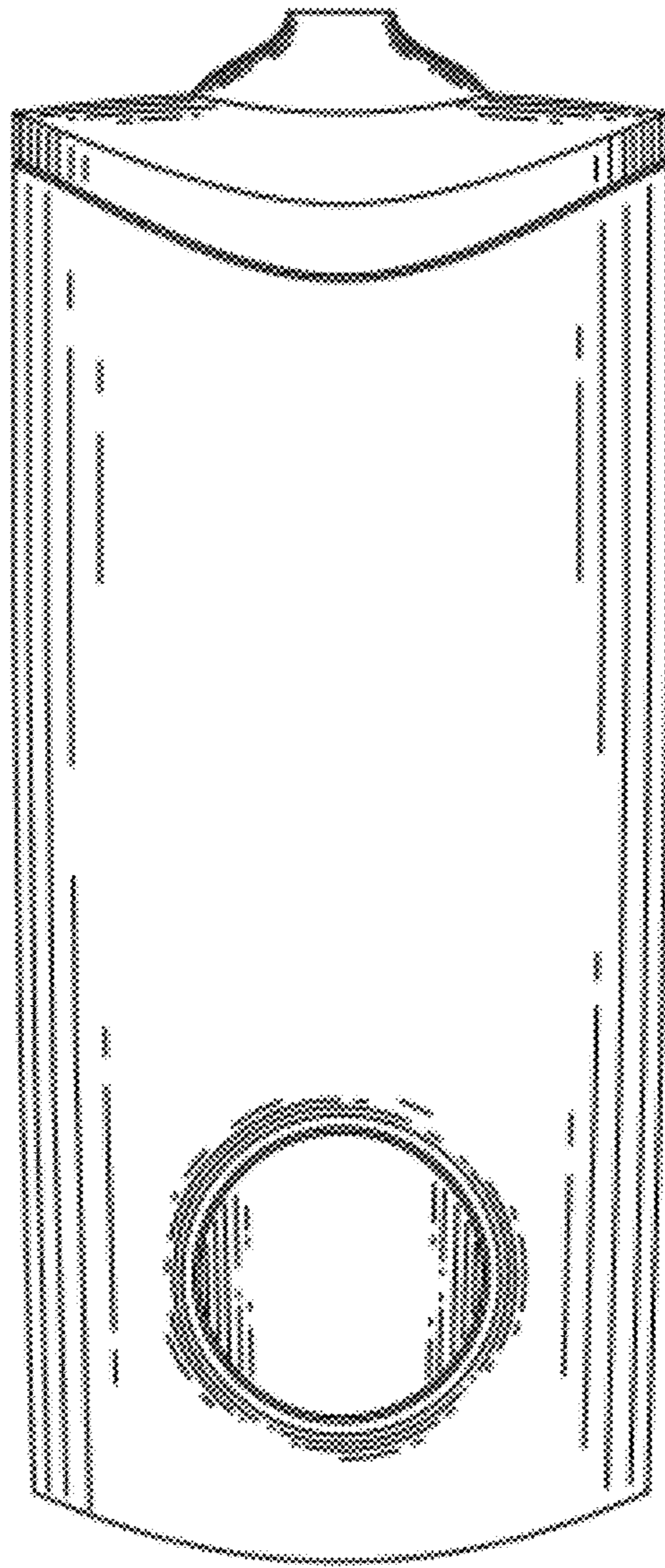


FIG. 2

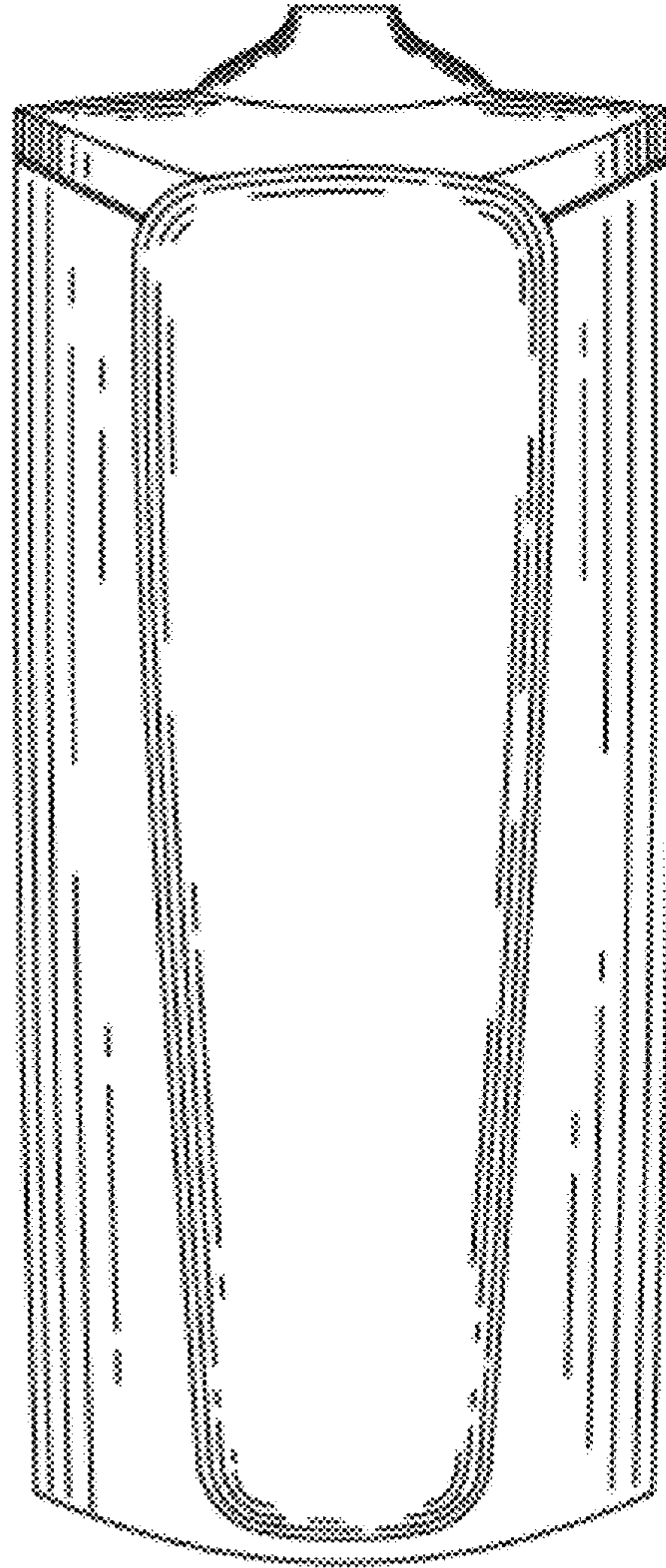


FIG. 3

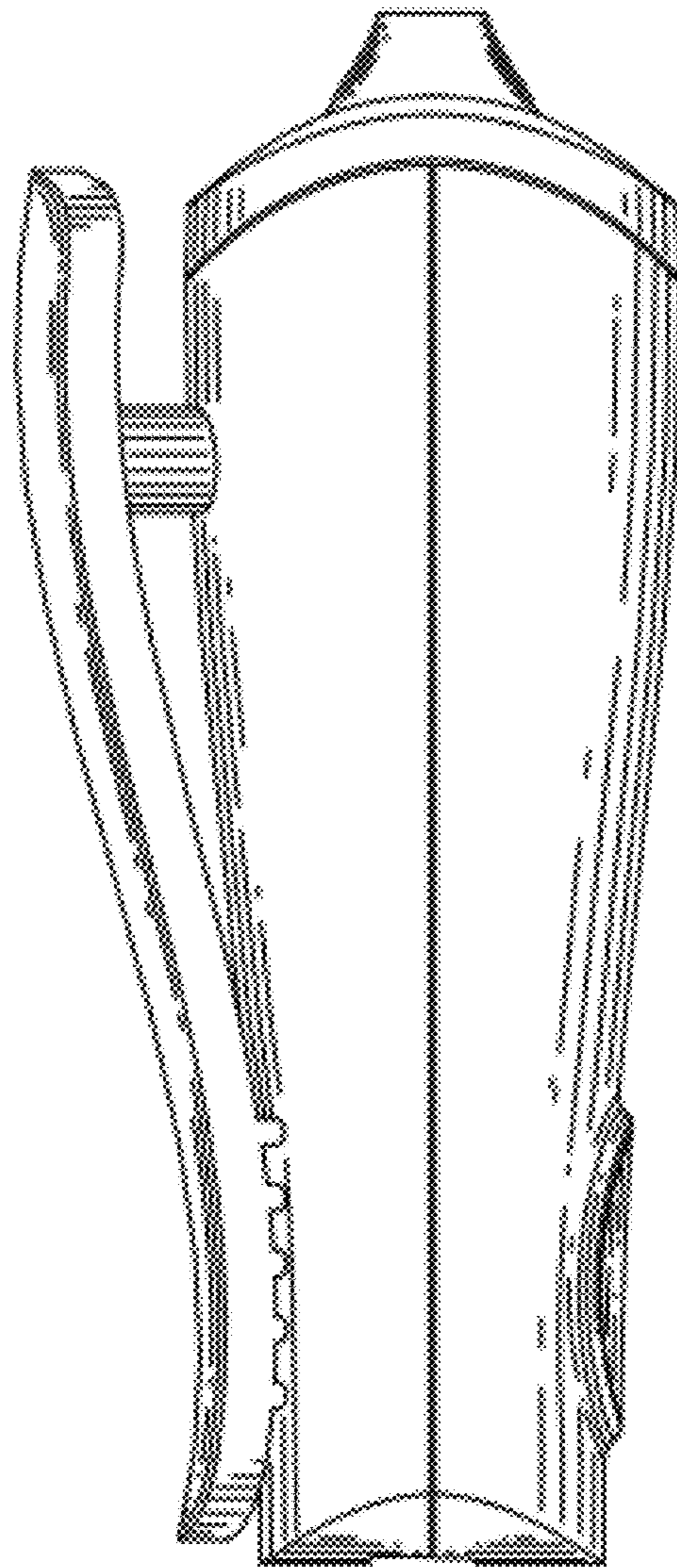


FIG. 4

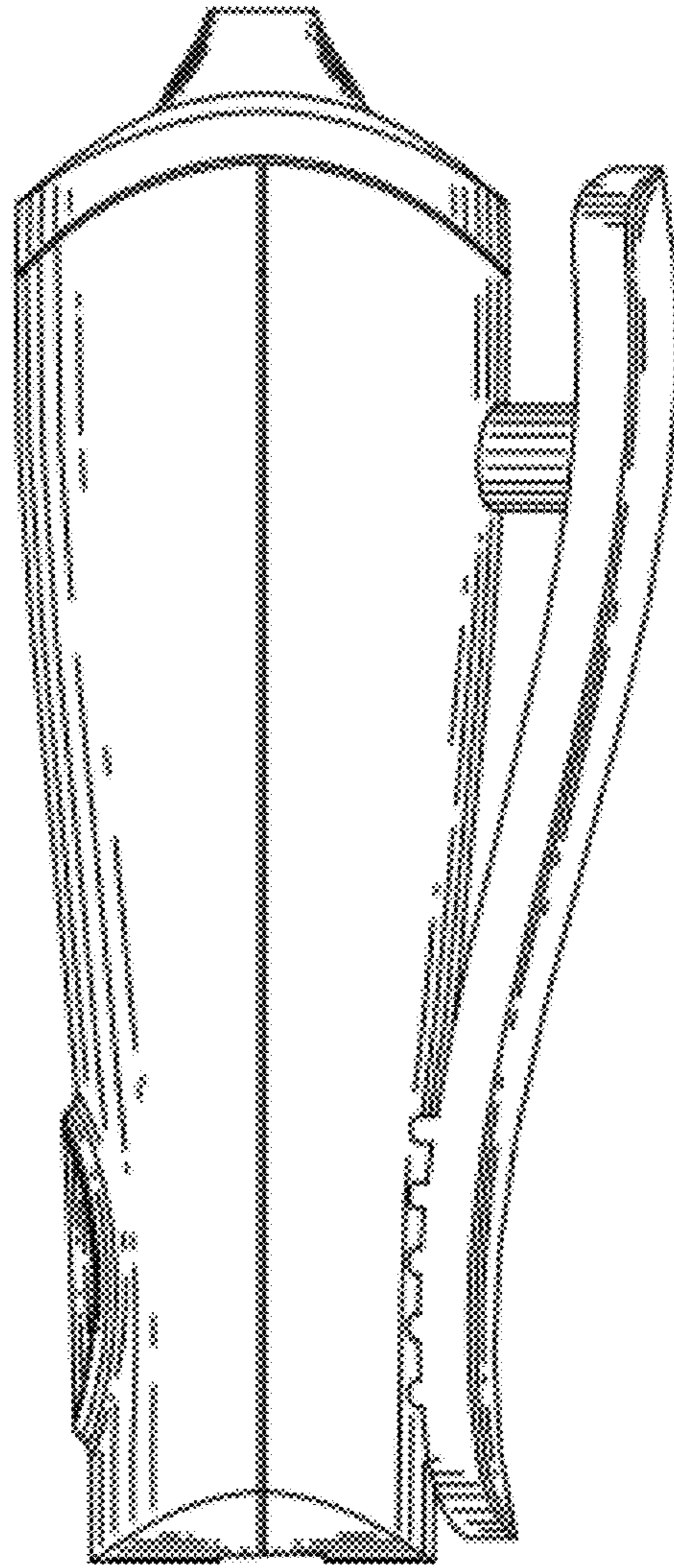


FIG. 5

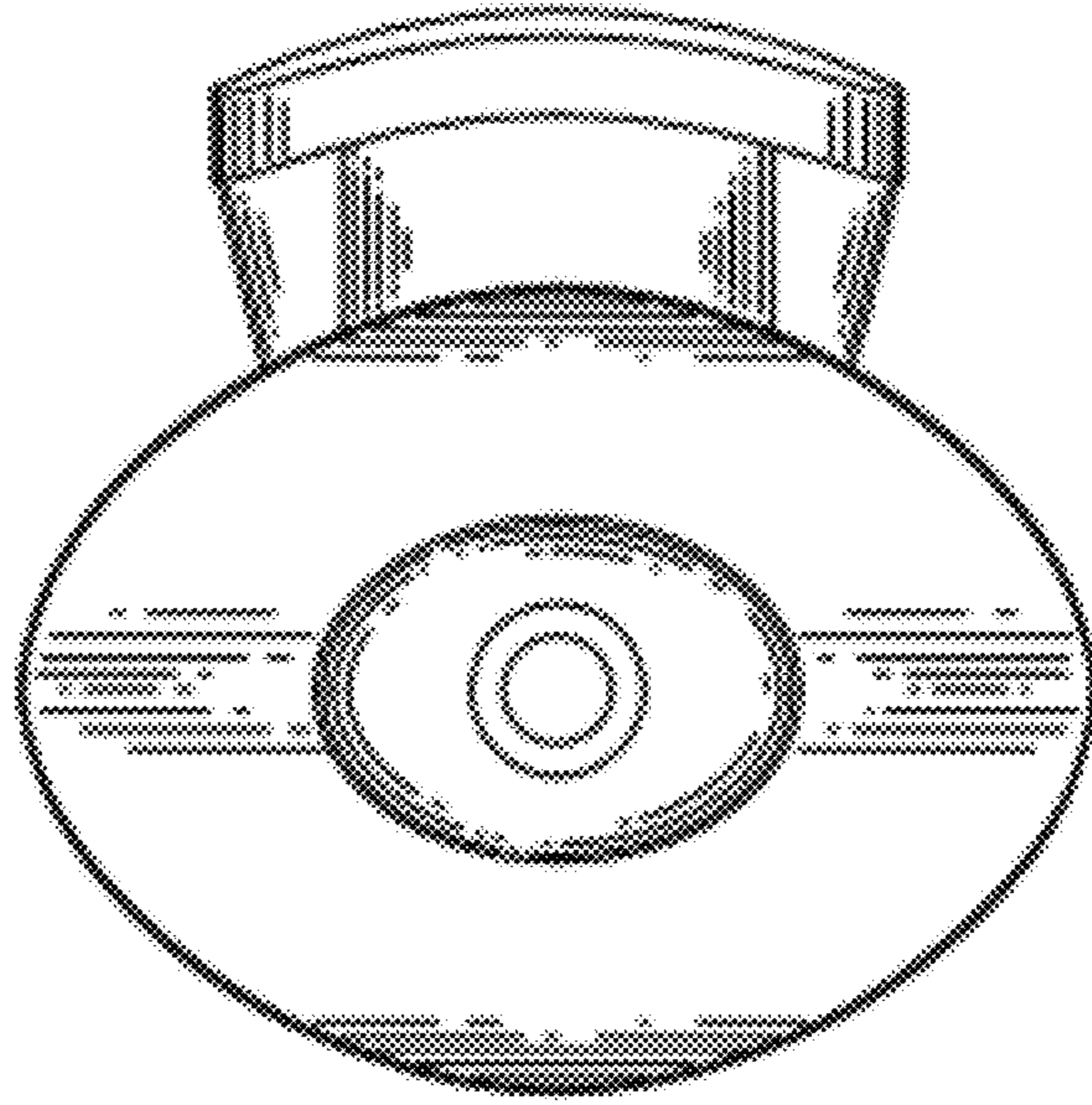


FIG. 6

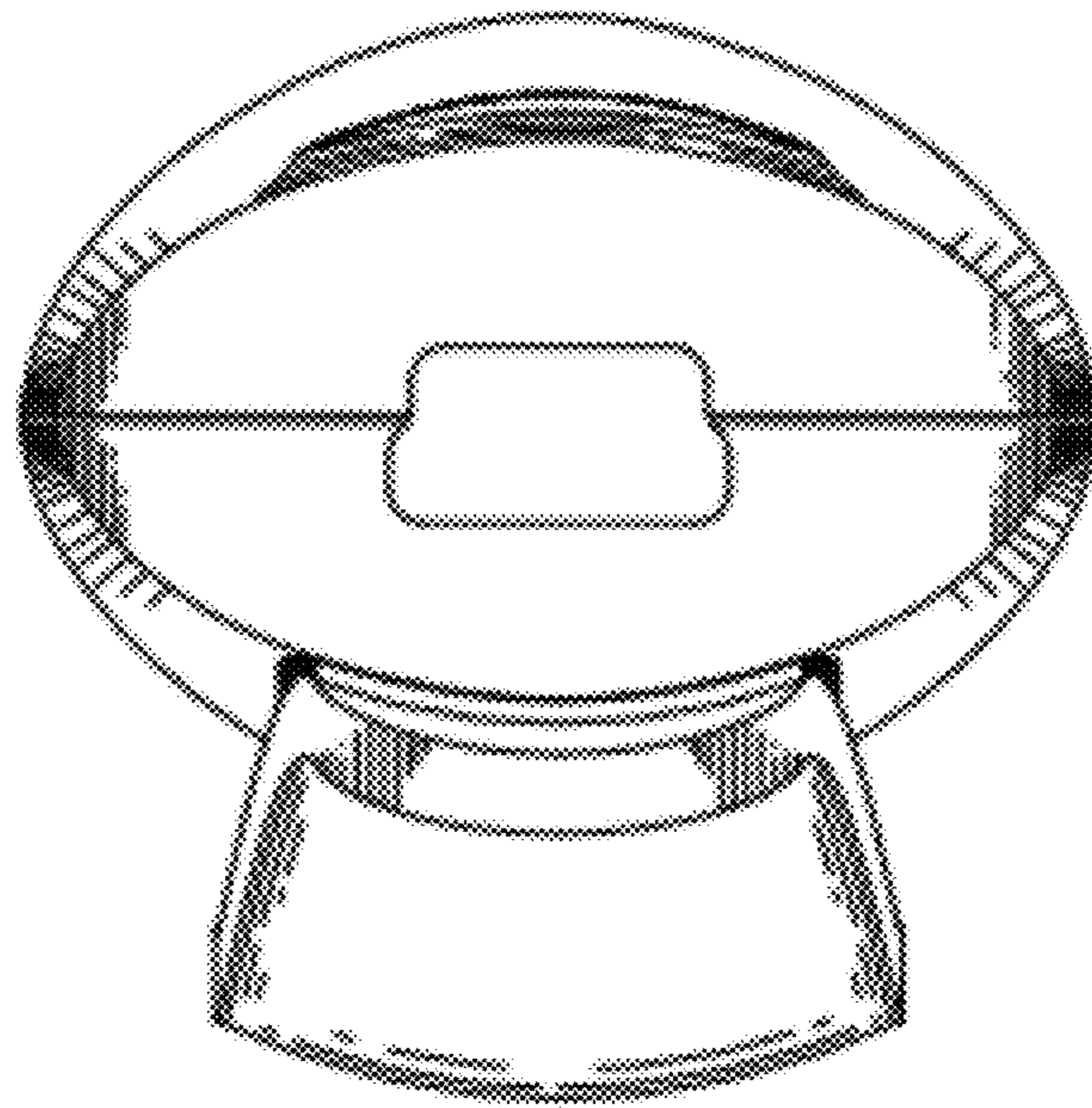


FIG. 7

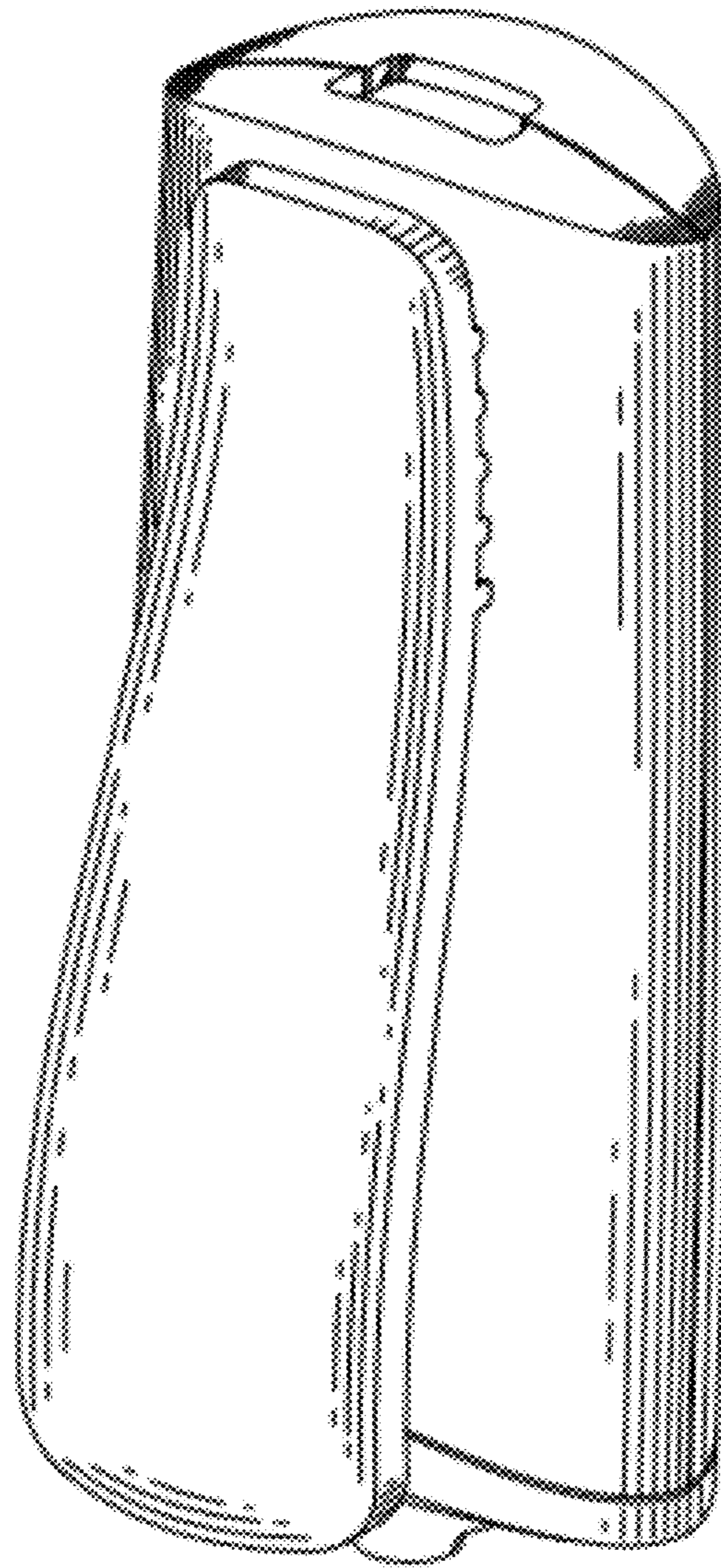


FIG. 8