



US00D670272S

(12) **United States Design Patent**
Suzuki

(10) **Patent No.:** **US D670,272 S**

(45) **Date of Patent:** **** Nov. 6, 2012**

(54) **RADIO RELAY DEVICE FOR A DIGITAL HOME ELECTRONIC APPLIANCE**

(75) Inventor: **Takeshi Suzuki**, Tokyo (JP)

(73) Assignee: **Kabushiki Kaisha Toshiba**, Tokyo (JP)

(**) Term: **14 Years**

(21) Appl. No.: **29/356,025**

(22) Filed: **Feb. 18, 2010**

(30) **Foreign Application Priority Data**

Aug. 20, 2009 (JP) 2009-018995

(51) **LOC (9) Cl.** **14-03**

(52) **U.S. Cl.** **D14/217; D14/240**

(58) **Field of Classification Search** D14/125,
D14/137, 140.1-140.6, 141.1-141.3, 149,
D14/150, 155, 159, 170, 171, 217, 225, 240,
D14/242, 348, 349, 351, 353-358; D13/133,
D13/152, 184; 455/550.1; 361/679.4, 679.56,
361/679.03, 679.26; 439/717; 370/315;
375/311

See application file for complete search history.

(56) **References Cited**

U.S. PATENT DOCUMENTS

D384,350 S * 9/1997 Nuevo et al. D14/168
D394,266 S 5/1998 Hogenbirk
D464,045 S * 10/2002 Bohne D14/240
D480,075 S * 9/2003 Tanaka D14/242
D515,545 S 2/2006 Griffin

D528,080 S * 9/2006 Wells D14/125
D571,359 S * 6/2008 Chang D14/216
D611,586 S * 3/2010 Ko et al. D23/366
D638,385 S * 5/2011 Wong D14/125
D640,243 S * 6/2011 Murakami D14/240
D642,999 S * 8/2011 Wan et al. D14/125

FOREIGN PATENT DOCUMENTS

CN 3171529 1/2001
JP D1227754 1/2005
JP D1289901 12/2006
TW 337947 8/1998

* cited by examiner

Primary Examiner — Keli L Hill

(74) *Attorney, Agent, or Firm* — Banner & Witcoff, Ltd.

(57) **CLAIM**

The ornamental design for a radio relay device for a digital home electronic appliance, as shown and described.

DESCRIPTION

FIG. 1 is a front, top and right side perspective view of a radio relay device for a digital home electronic appliance, showing my new design;

FIG. 2 is a front elevational view thereof;

FIG. 3 is a rear elevational view thereof;

FIG. 4 is a top plan view thereof;

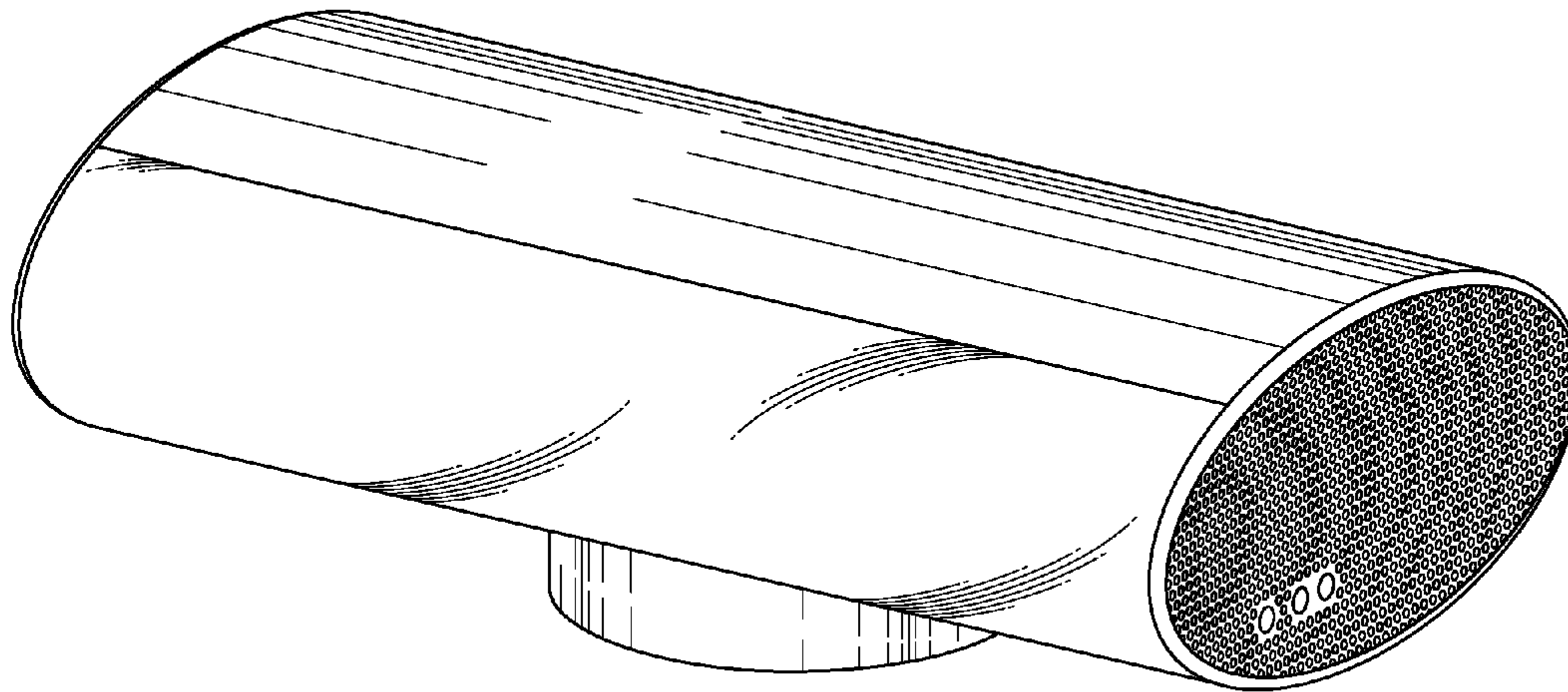
FIG. 5 is a bottom plan view thereof;

FIG. 6 is a right side elevational view thereof; and,

FIG. 7 is a left side elevational view thereof.

The broken line showing of portions of the radio relay device is for environmental purposes only and forms no part of the claimed design.

1 Claim, 4 Drawing Sheets



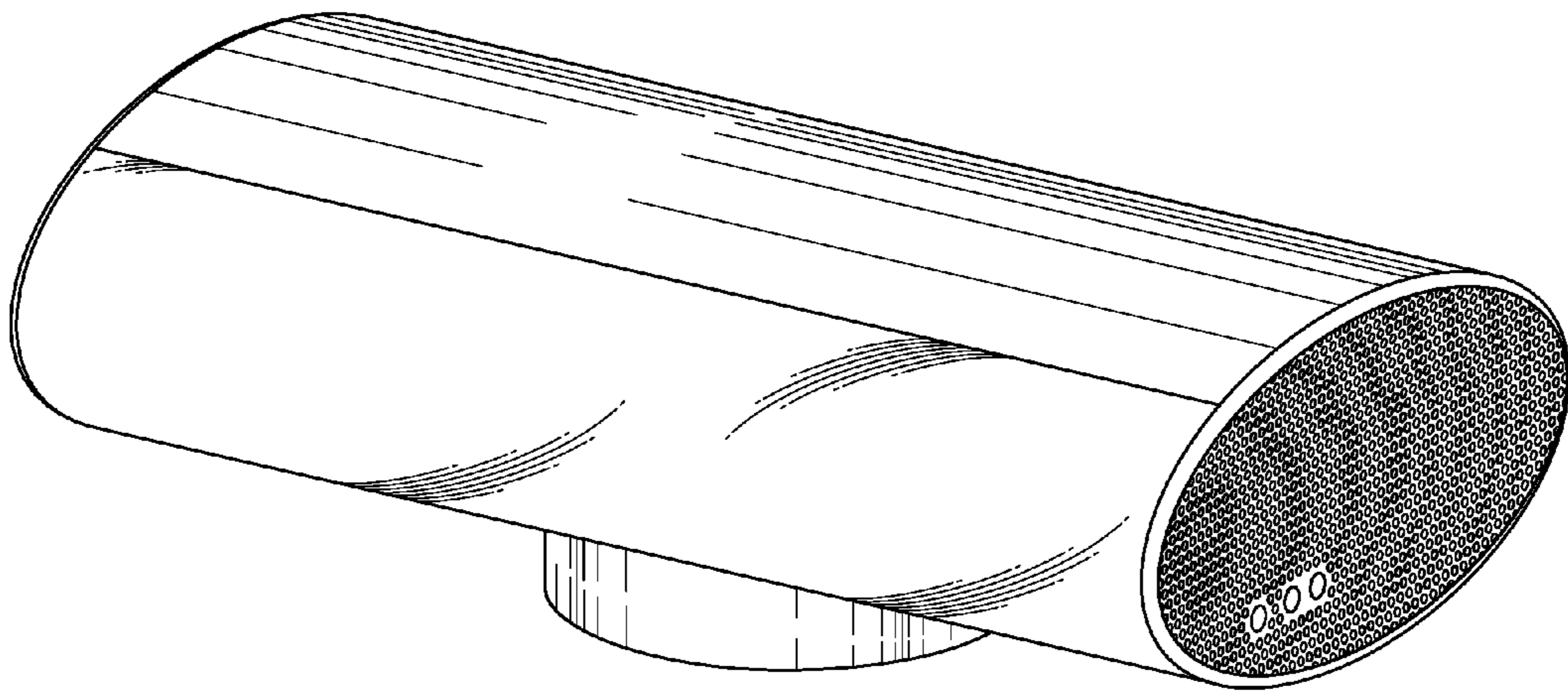


FIG.1

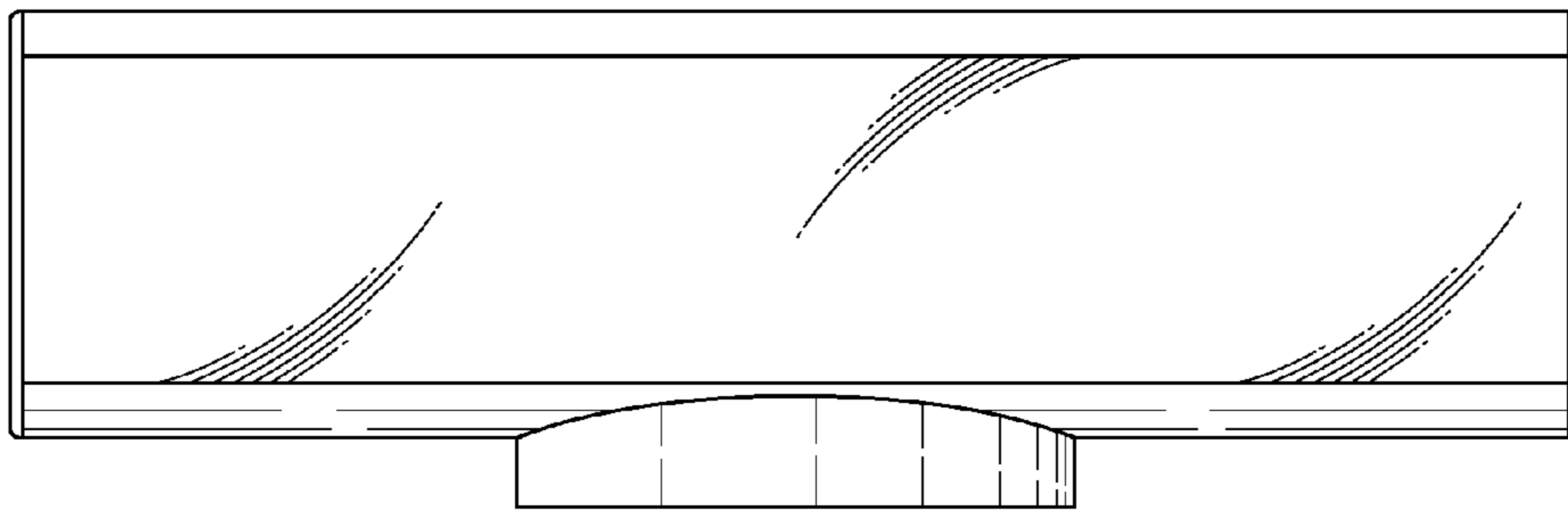


FIG.2

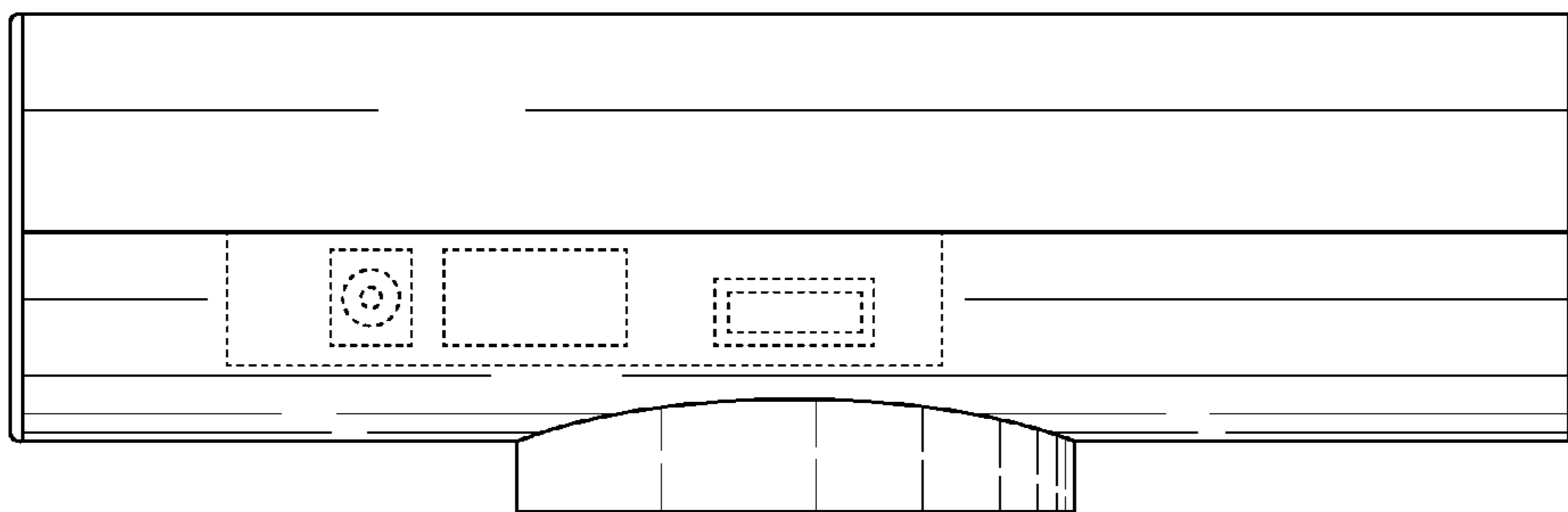


FIG.3

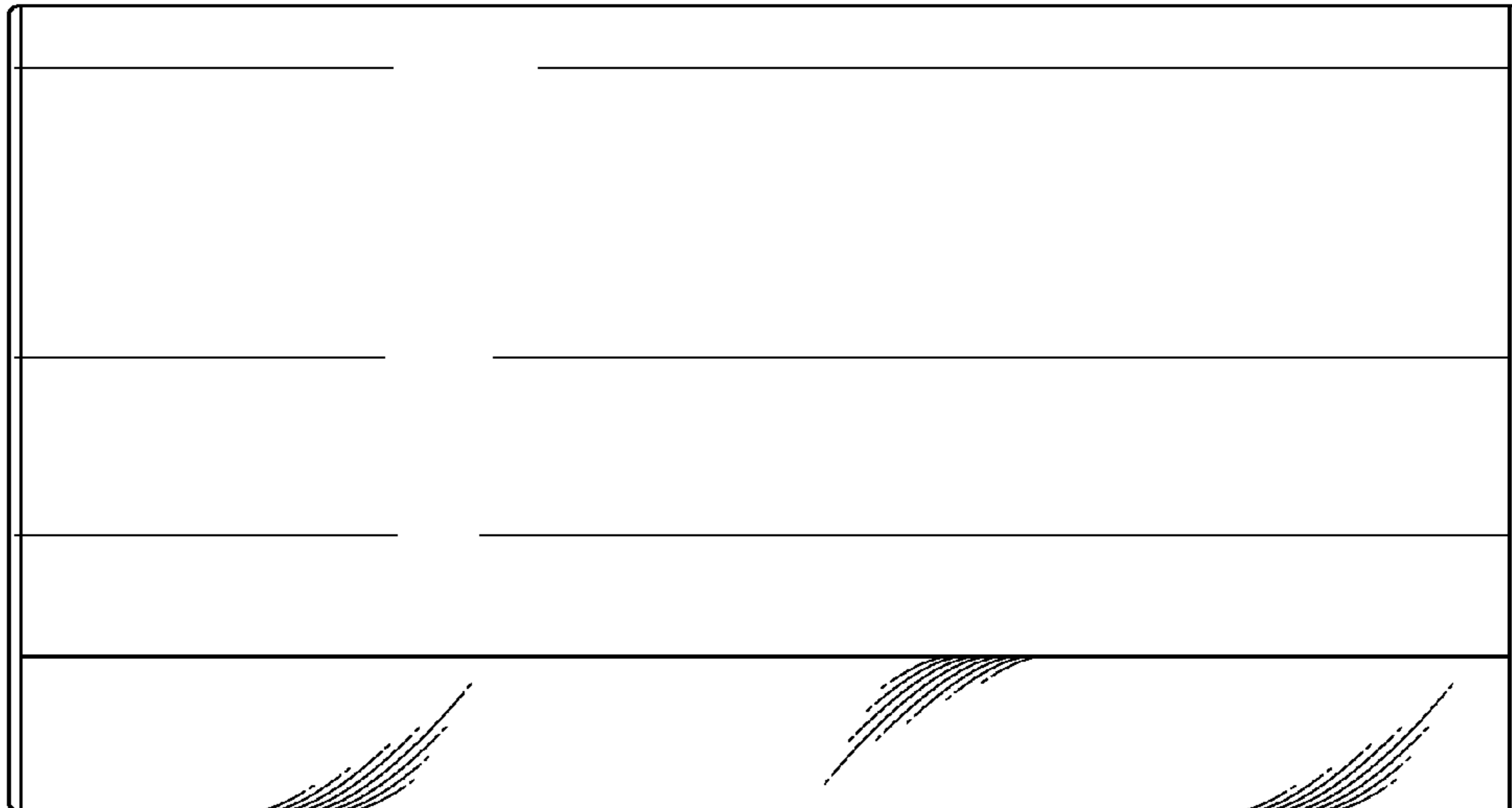


FIG. 4

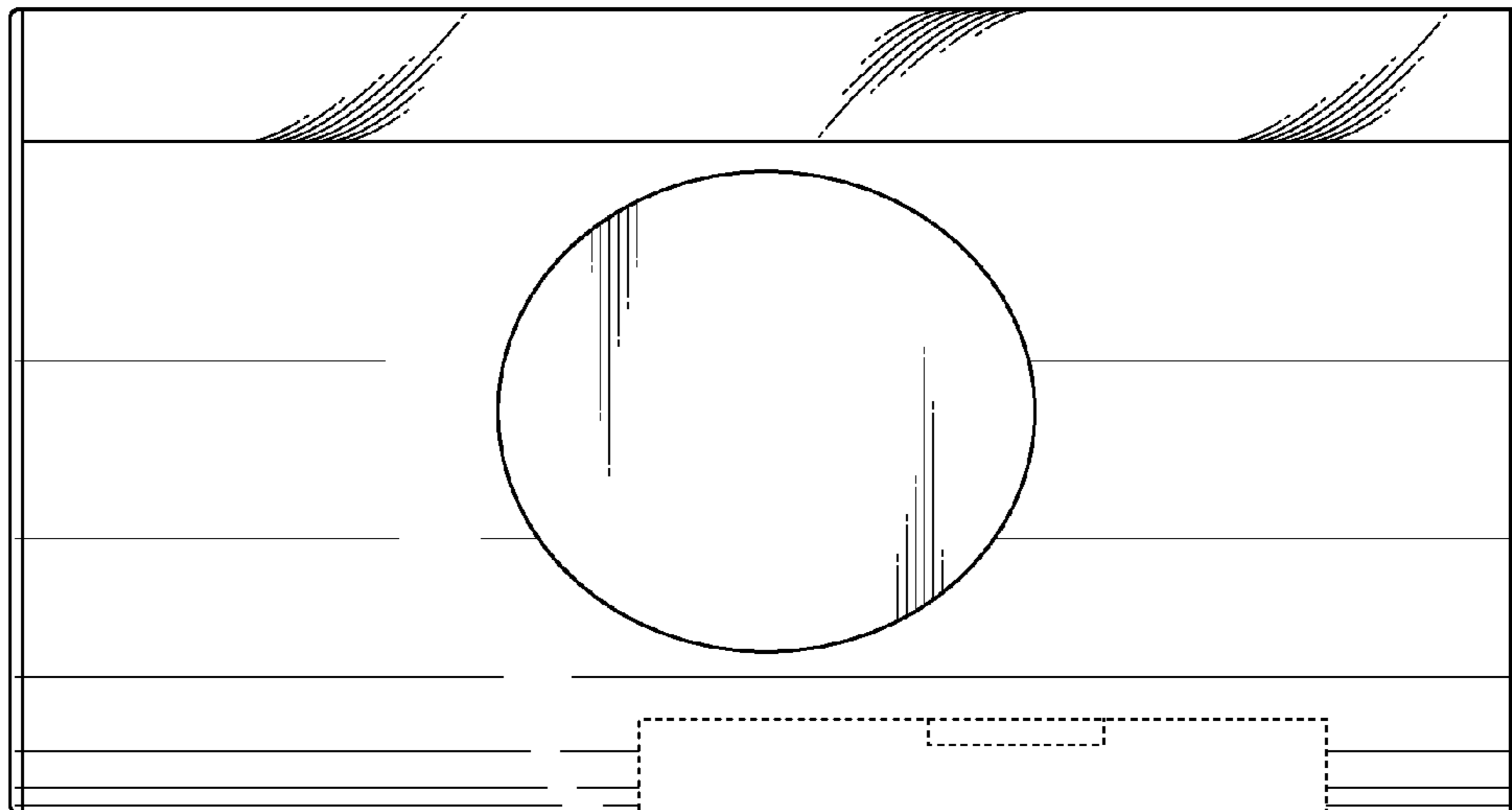


FIG. 5

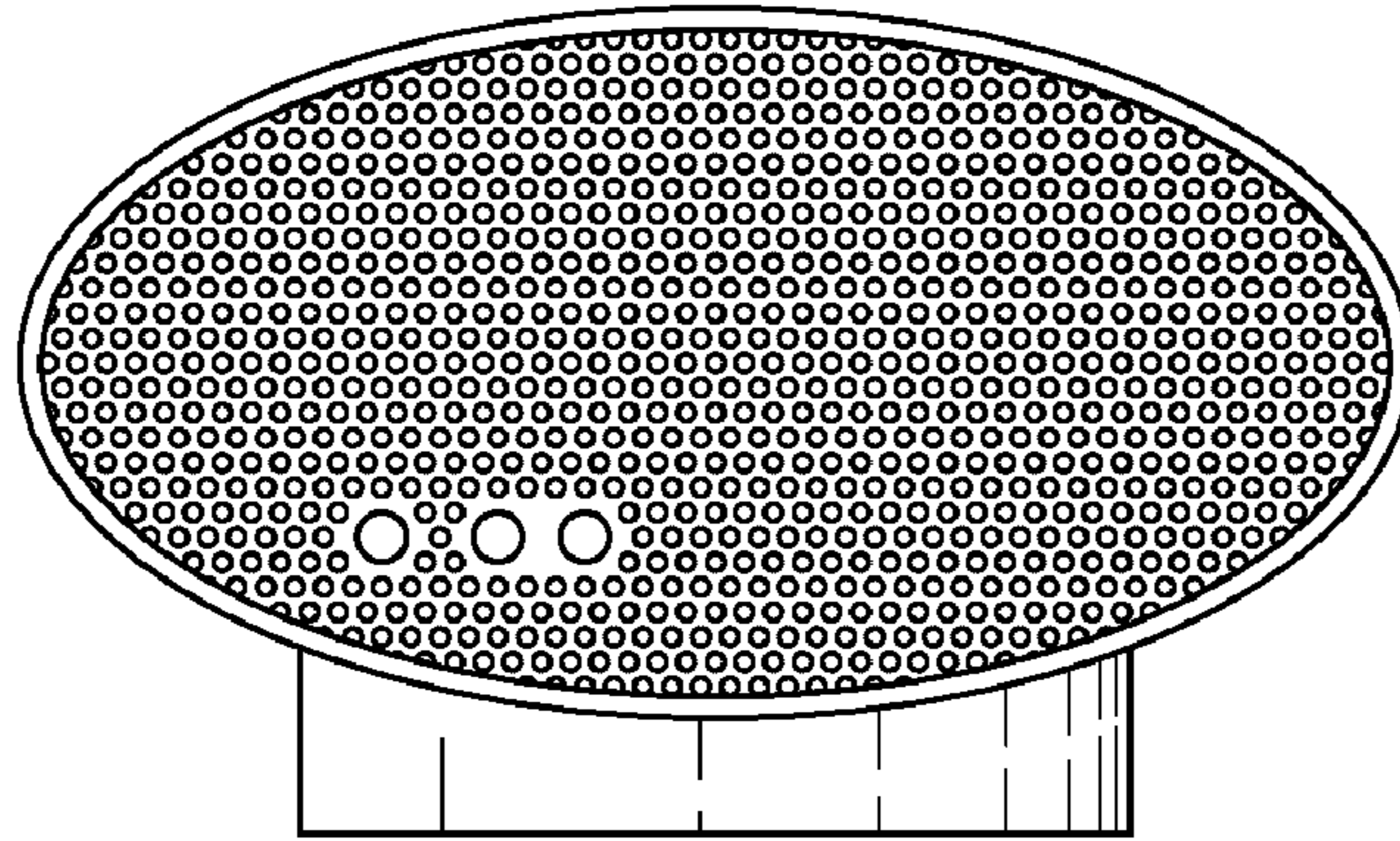


FIG. 6

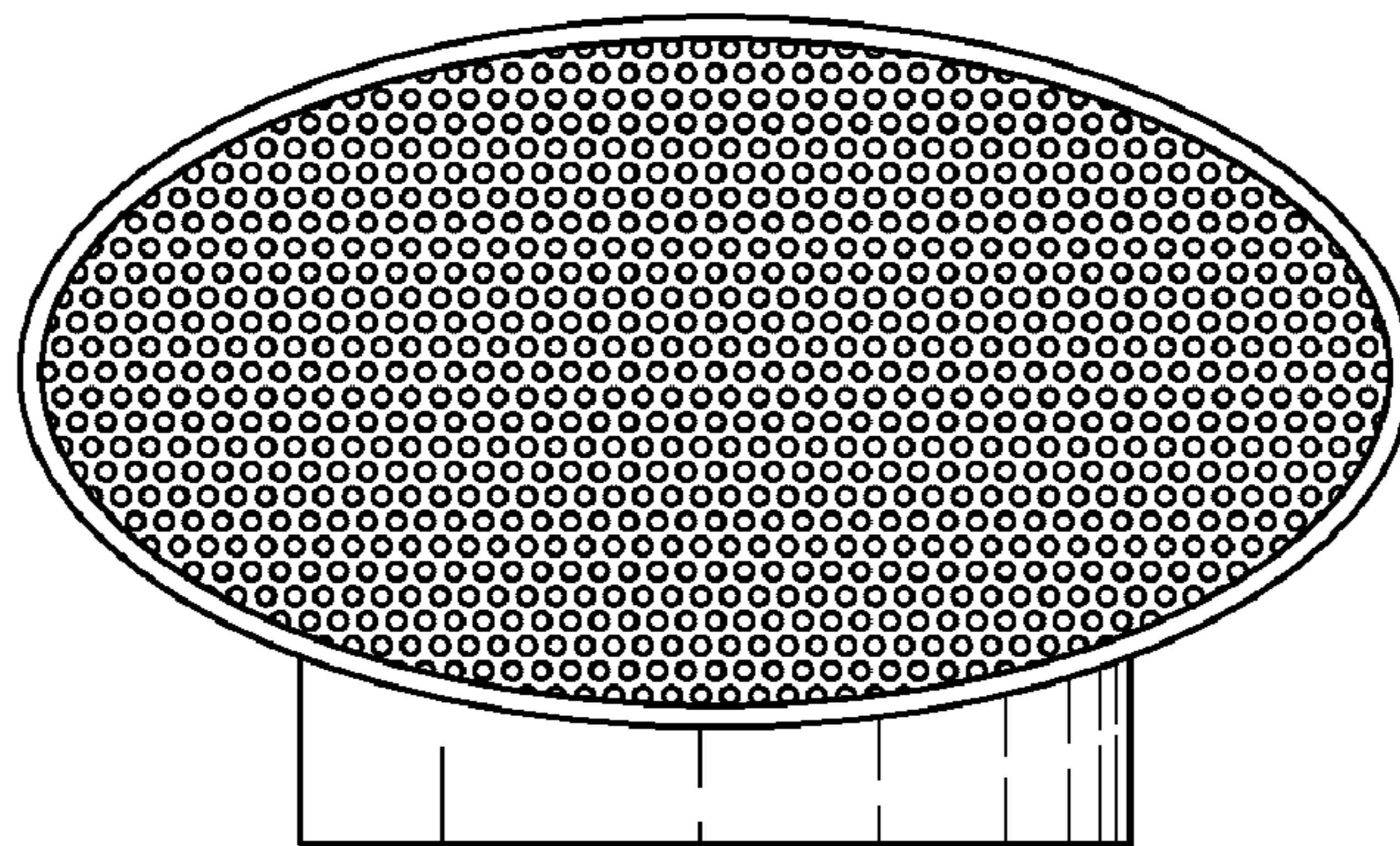


FIG. 7