



US00D670269S

(12) **United States Design Patent**
Allen

(10) **Patent No.:** **US D670,269 S**

(45) **Date of Patent:** **** *Nov. 6, 2012**

(54) **LOUDSPEAKER**

(75) Inventor: **Graham Allen**, Cranbrook (GB)

(73) Assignee: **GP Acoustics International Limited**,
Kwai Chung, New Territories (HK)

(*) Notice: This patent is subject to a terminal disclaimer.

(**) Term: **14 Years**

(21) Appl. No.: **29/392,339**

(22) Filed: **May 19, 2011**

(51) **LOC (9) Cl.** **14-01**

(52) **U.S. Cl.** **D14/214**

(58) **Field of Classification Search** D14/204,
D14/210-216, 172; 181/143-144, 147-148,
181/150-153, 157, 198-199; 381/300-303,
381/306, 332-333, 336, 345, 361-364, 386-388
See application file for complete search history.

(56) **References Cited**

U.S. PATENT DOCUMENTS

D562,800 S * 2/2008 Kim et al. D14/211
D565,540 S * 4/2008 Kim et al. D14/211

D578,997 S * 10/2008 Takuma D14/214
D582,892 S * 12/2008 Baird et al. D14/214
D589,929 S * 4/2009 Okamura et al. D14/172

* cited by examiner

Primary Examiner — Prabhakar Deshmukh

(74) *Attorney, Agent, or Firm* — Buchanan Ingersoll & Rooney PC

(57) **CLAIM**

The ornamental design for a loudspeaker, as shown and described.

DESCRIPTION

FIG. 1 is a front perspective view of a loudspeaker showing my new design.

FIG. 2 is a rear perspective view thereof.

FIG. 3 is a front elevational view thereof.

FIG. 4 is a rear elevational view thereof.

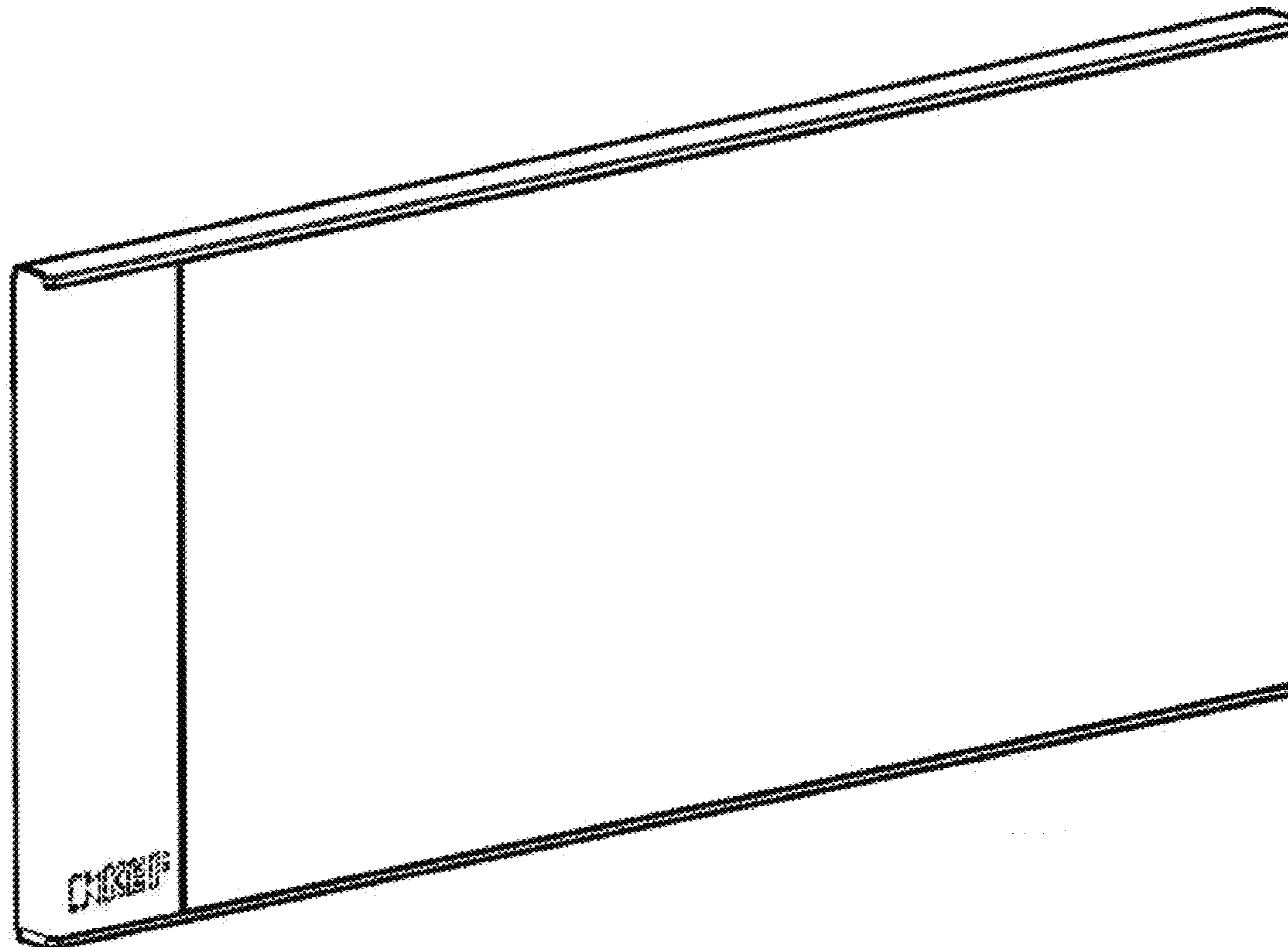
FIG. 5 is a side elevational view thereof, the other side being a mirror image.

FIG. 6 is a top plan view thereof; and,

FIG. 7 is a bottom plan view thereof.

The broken line portion of the drawings is included to show environmental subject matter and forms no part of the claimed design.

1 Claim, 7 Drawing Sheets



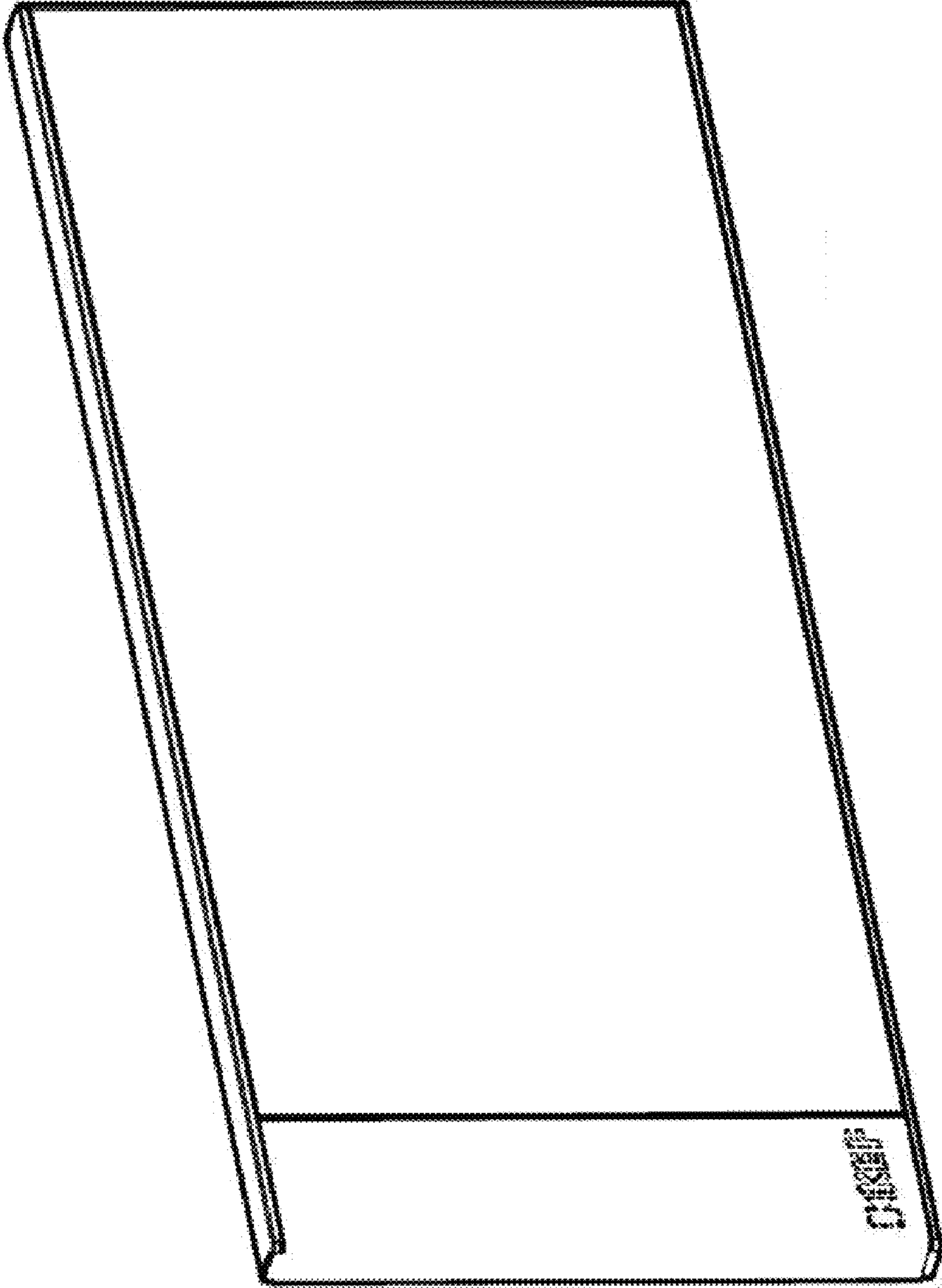


FIG. 1

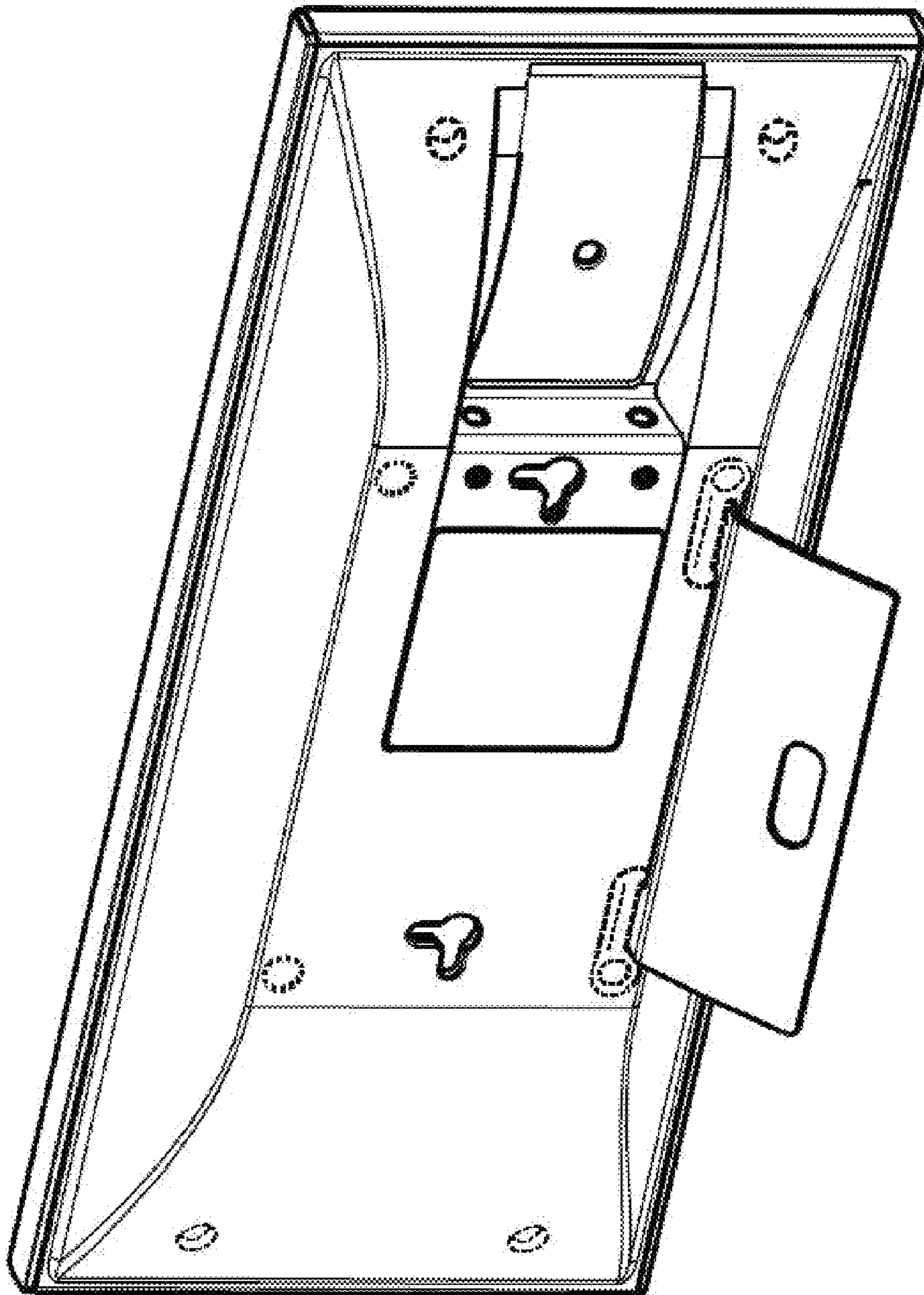


FIG. 2

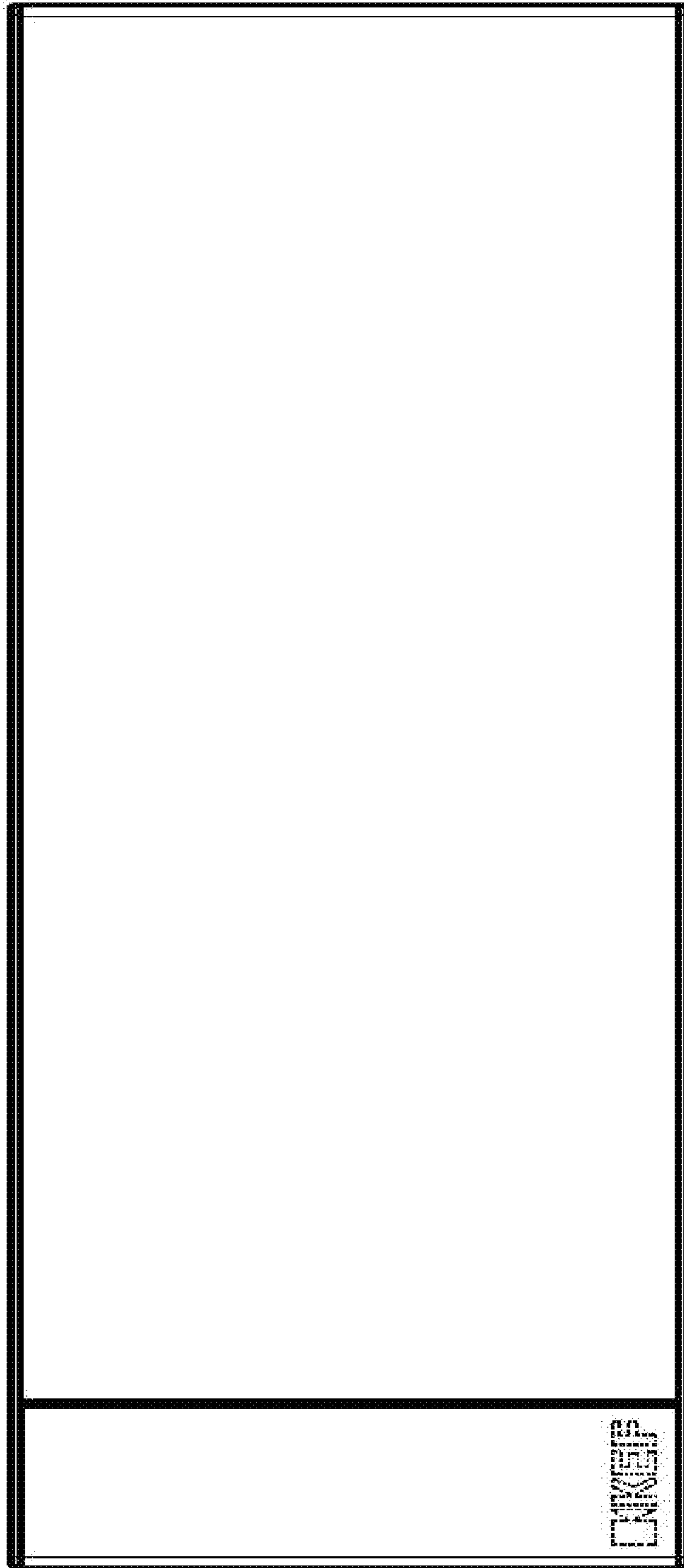


FIG. 3

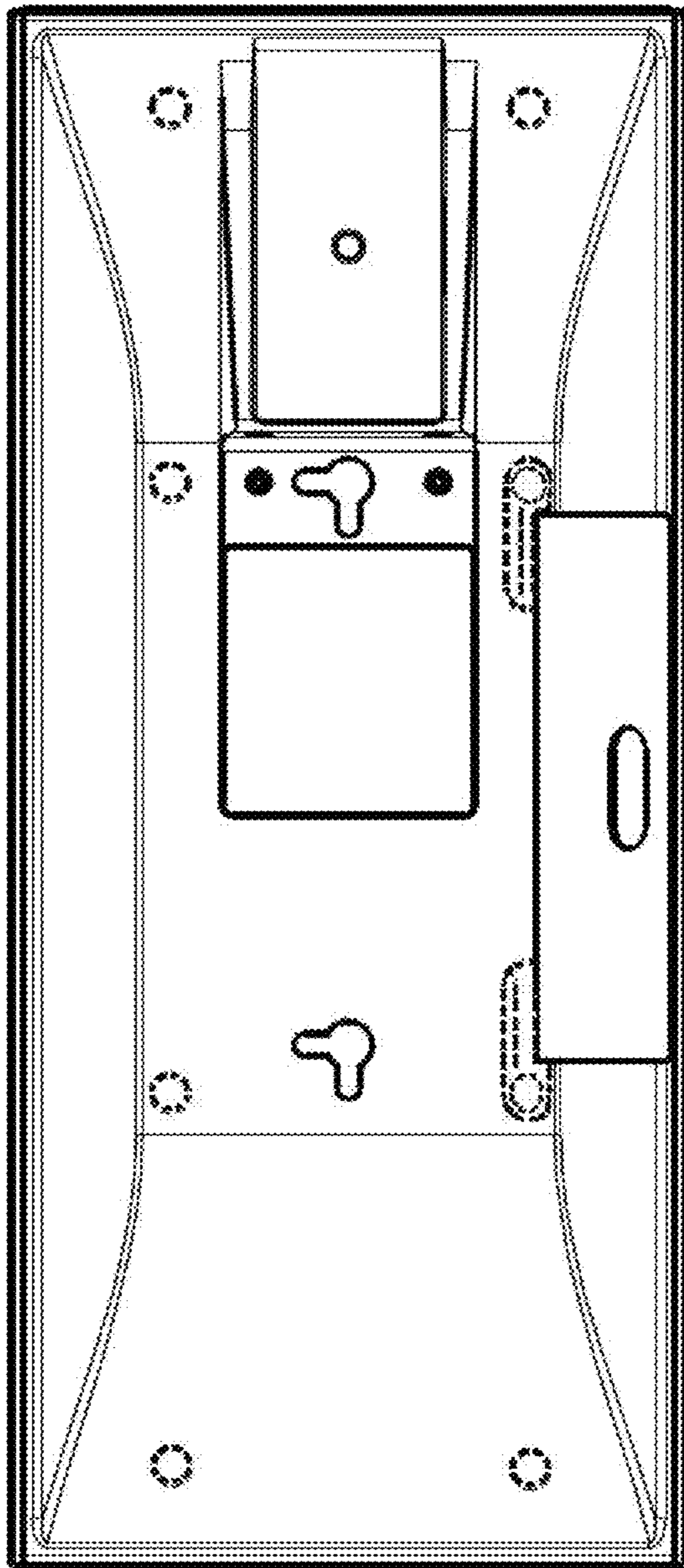


FIG. 4

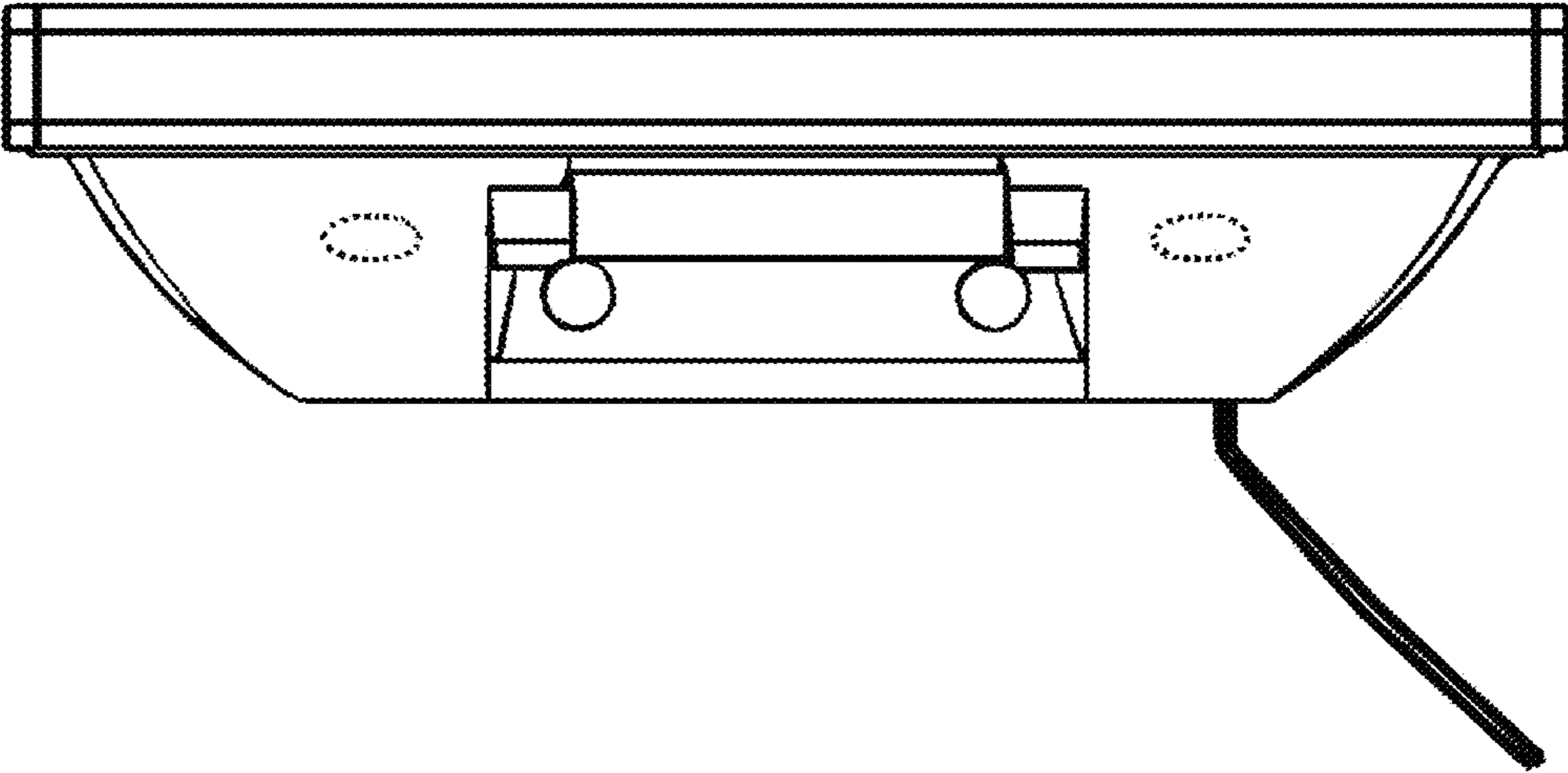


FIG. 5

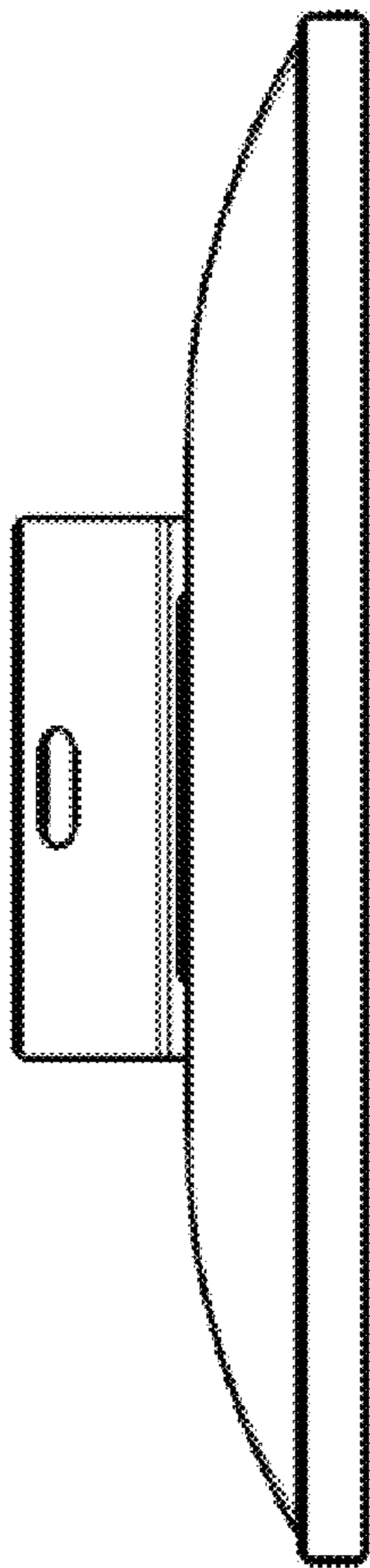


FIG. 6

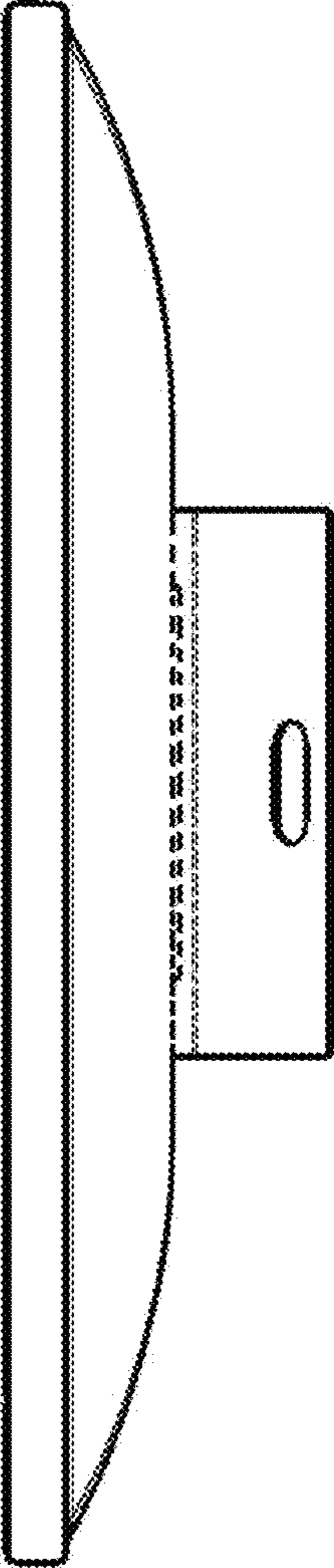


FIG. 7