



US00D670267S

(12) **United States Design Patent**
Maddern

(10) **Patent No.:** **US D670,267 S**

(45) **Date of Patent:** **** Nov. 6, 2012**

(54) **TELECOMMUNICATIONS HEADSET**

(75) Inventor: **Taisen Maddern**, Melbourne (AU)

(73) Assignee: **Blueant Wireless Pty Limited**,
Richmond (AU)

(**) Term: **14 Years**

(21) Appl. No.: **29/403,617**

(22) Filed: **Oct. 7, 2011**

(51) **LOC (9) Cl.** **14-01**

(52) **U.S. Cl.** **D14/206**

(58) **Field of Classification Search** D14/205,
D14/206, 223; 181/129, 130, 135; 379/430,
379/431; 381/380, 381; 455/90.3, 575.1
See application file for complete search history.

(56) **References Cited**

U.S. PATENT DOCUMENTS

D478,574 S *	8/2003	Ming	D14/223
D487,078 S *	2/2004	Chen	D14/223
D489,711 S *	5/2004	James et al.	D14/218
D508,485 S *	8/2005	Katsumata	D14/223
D512,991 S *	12/2005	Yano	D14/223
D517,054 S *	3/2006	Yang	D14/223
D526,313 S *	8/2006	Murray	D14/223

D533,540 S *	12/2006	Murray	D14/205
D538,792 S *	3/2007	Kim et al.	D14/223
D555,151 S *	11/2007	Eklund	D14/223
D564,500 S *	3/2008	Wang	D14/223
D590,813 S *	4/2009	Bradford et al.	D14/223

* cited by examiner

Primary Examiner — Paula Greene

(74) *Attorney, Agent, or Firm* — Fliesler Meyer LLP

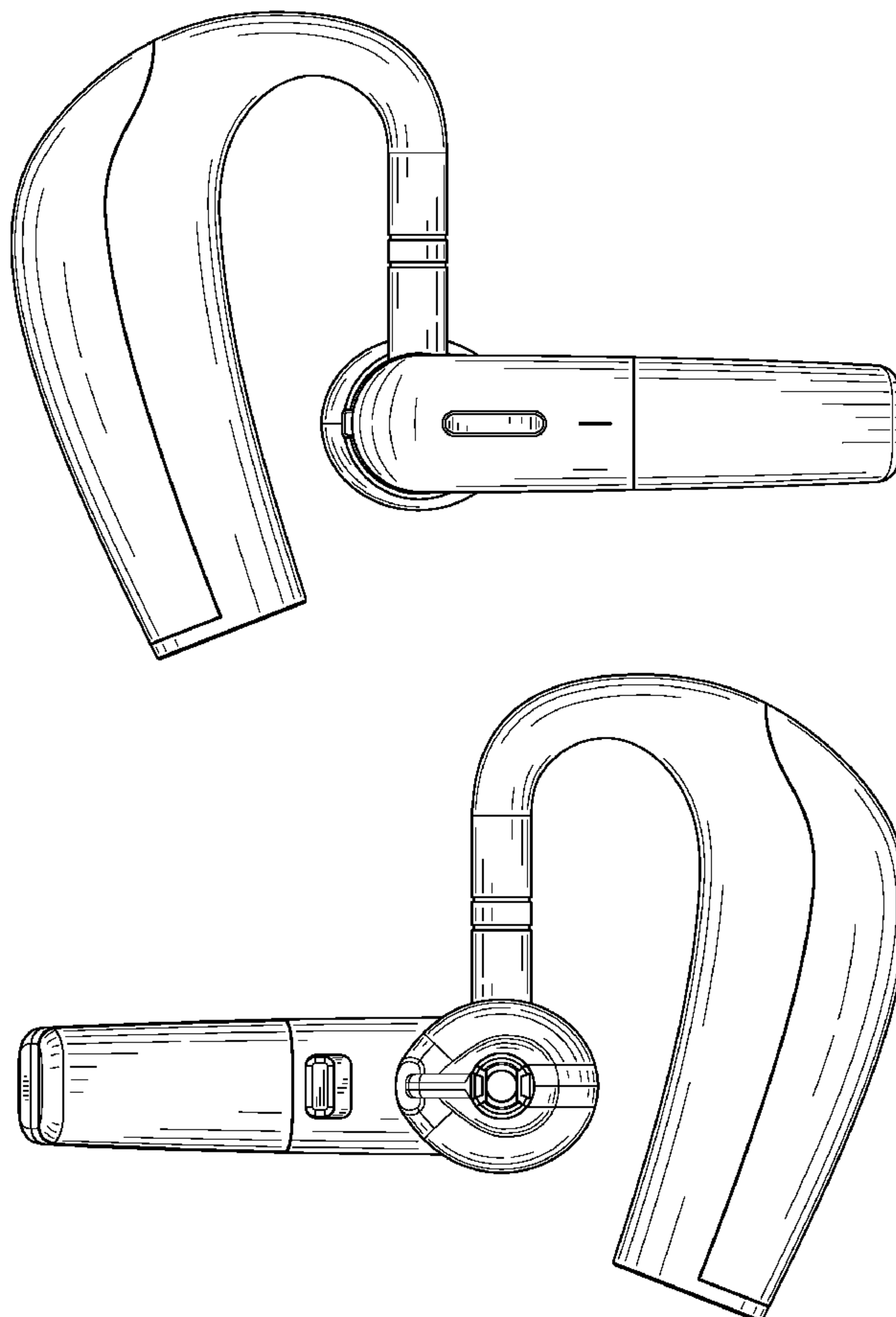
(57) **CLAIM**

The ornamental design for a telecommunications headset, as shown and described.

DESCRIPTION

FIG. 1 is a right side view of a telecommunications headset showing my new design;
FIG. 2 is a bottom view thereof;
FIG. 3 is a front view thereof;
FIG. 4 is a top view thereof;
FIG. 5 is a rear view thereof;
FIG. 6 is a left side view thereof;
FIG. 7 is a rear bottom perspective view thereof;
FIG. 8 is a front top perspective view thereof;
FIG. 9 is a rear left perspective view thereof;
FIG. 10 is a front right perspective view thereof; and,
FIG. 11 is a front left perspective view thereof.

1 Claim, 6 Drawing Sheets



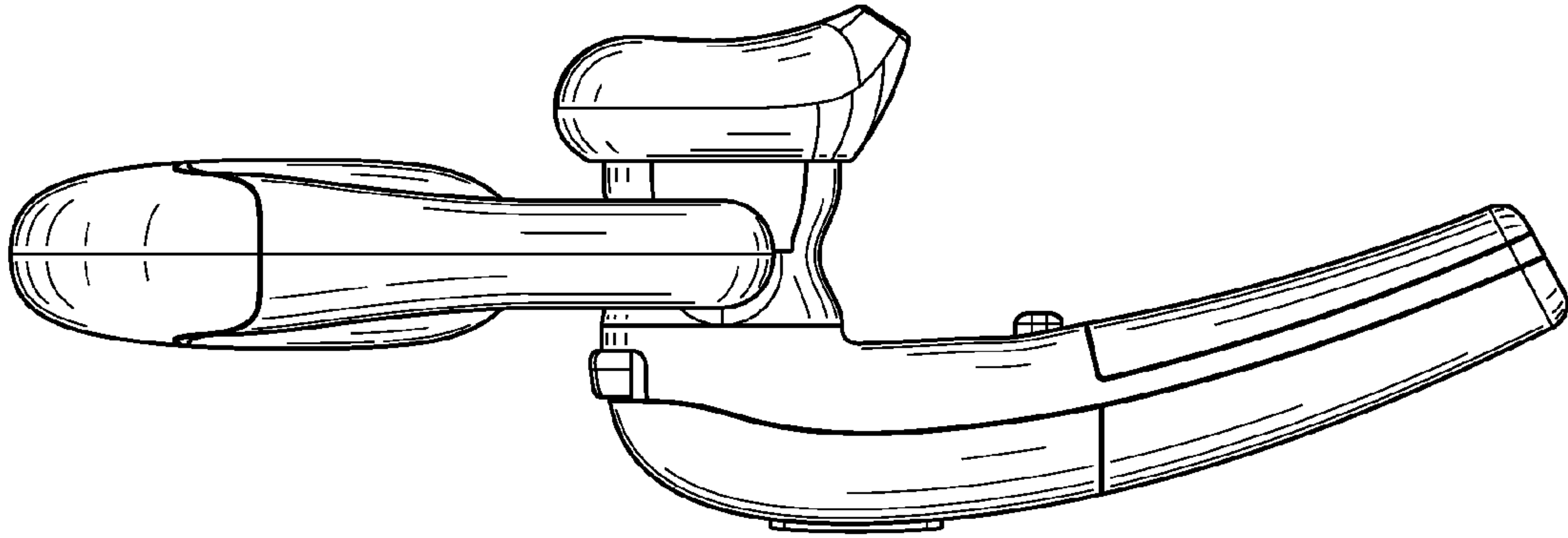


FIGURE 1

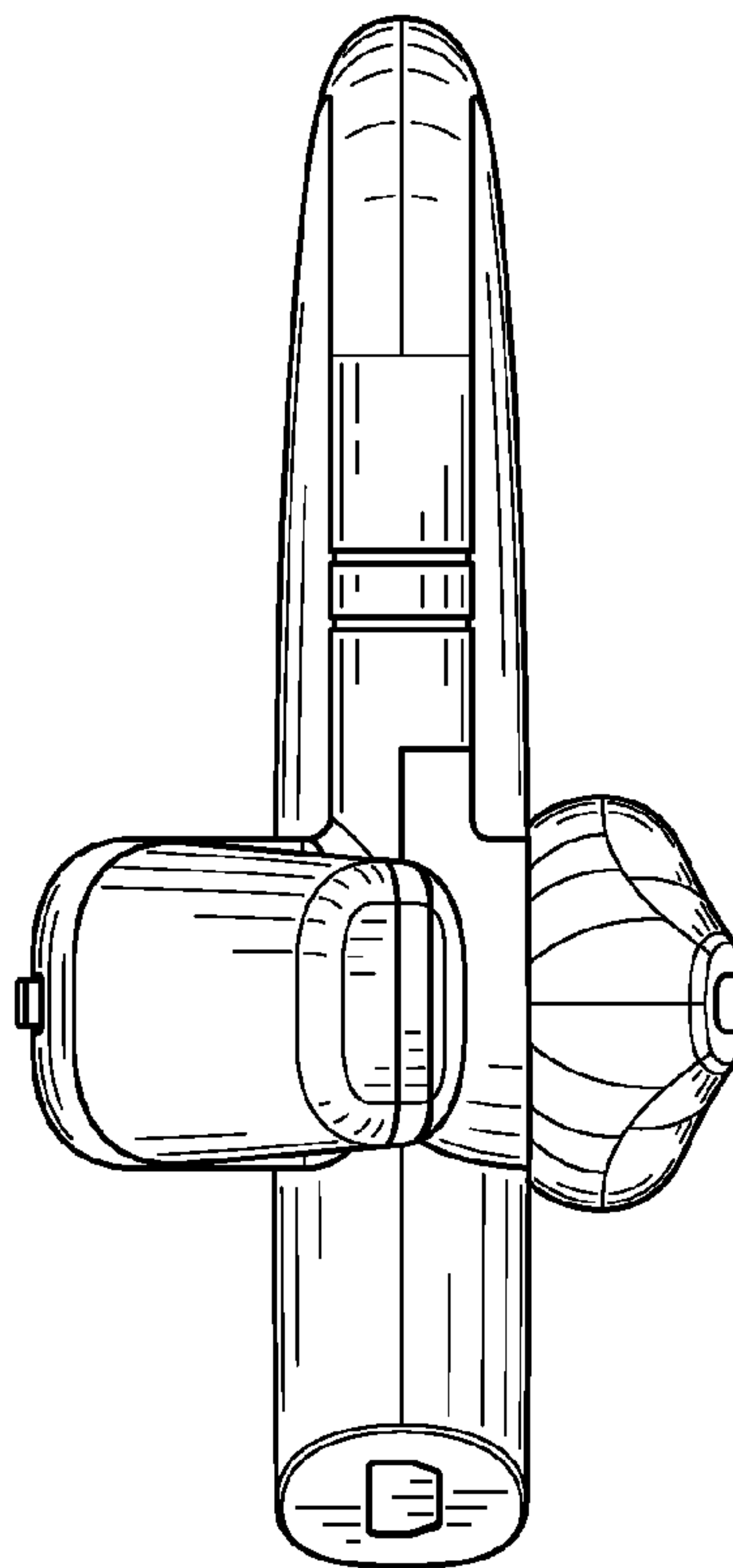


FIGURE 2

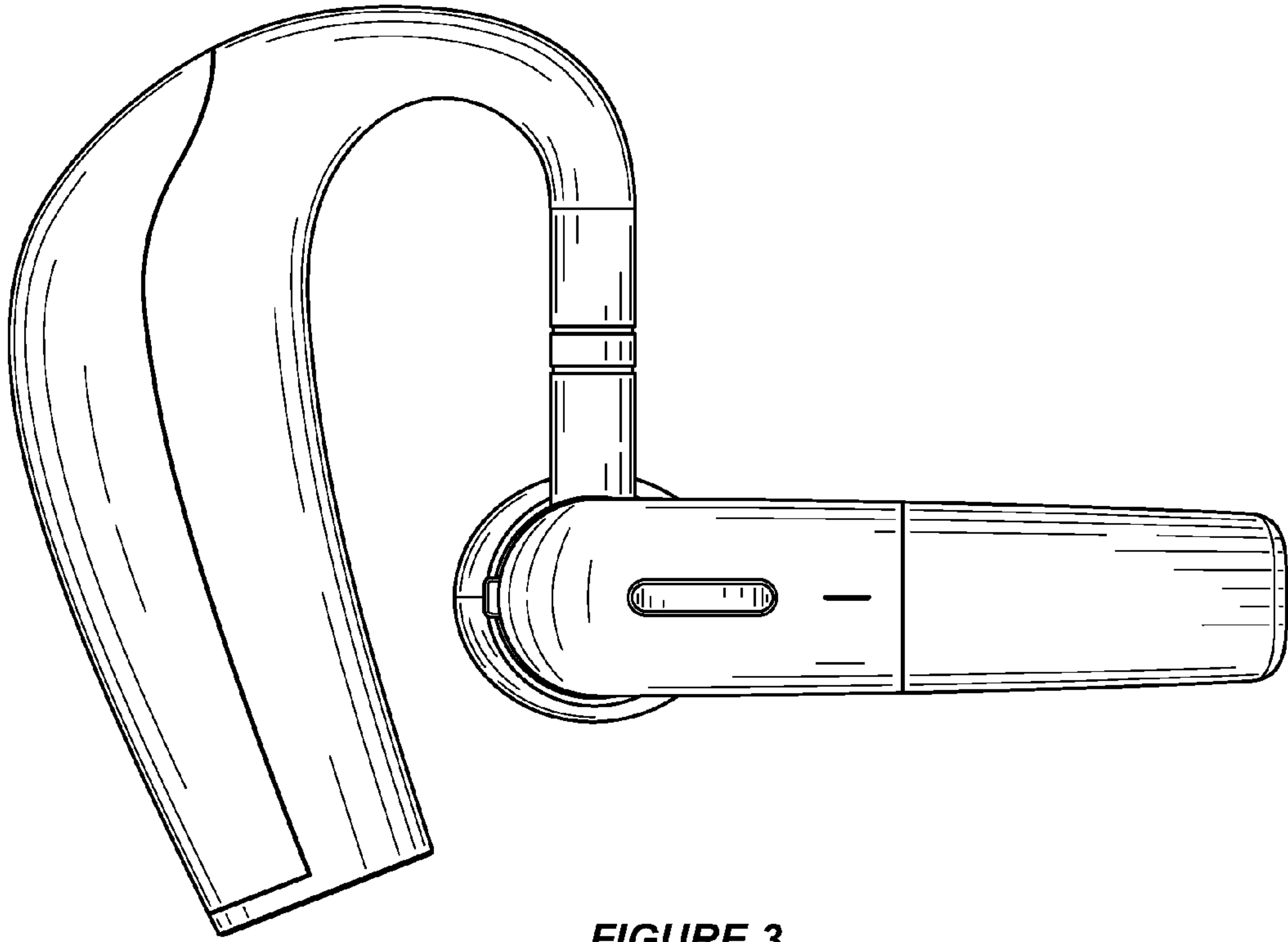


FIGURE 3

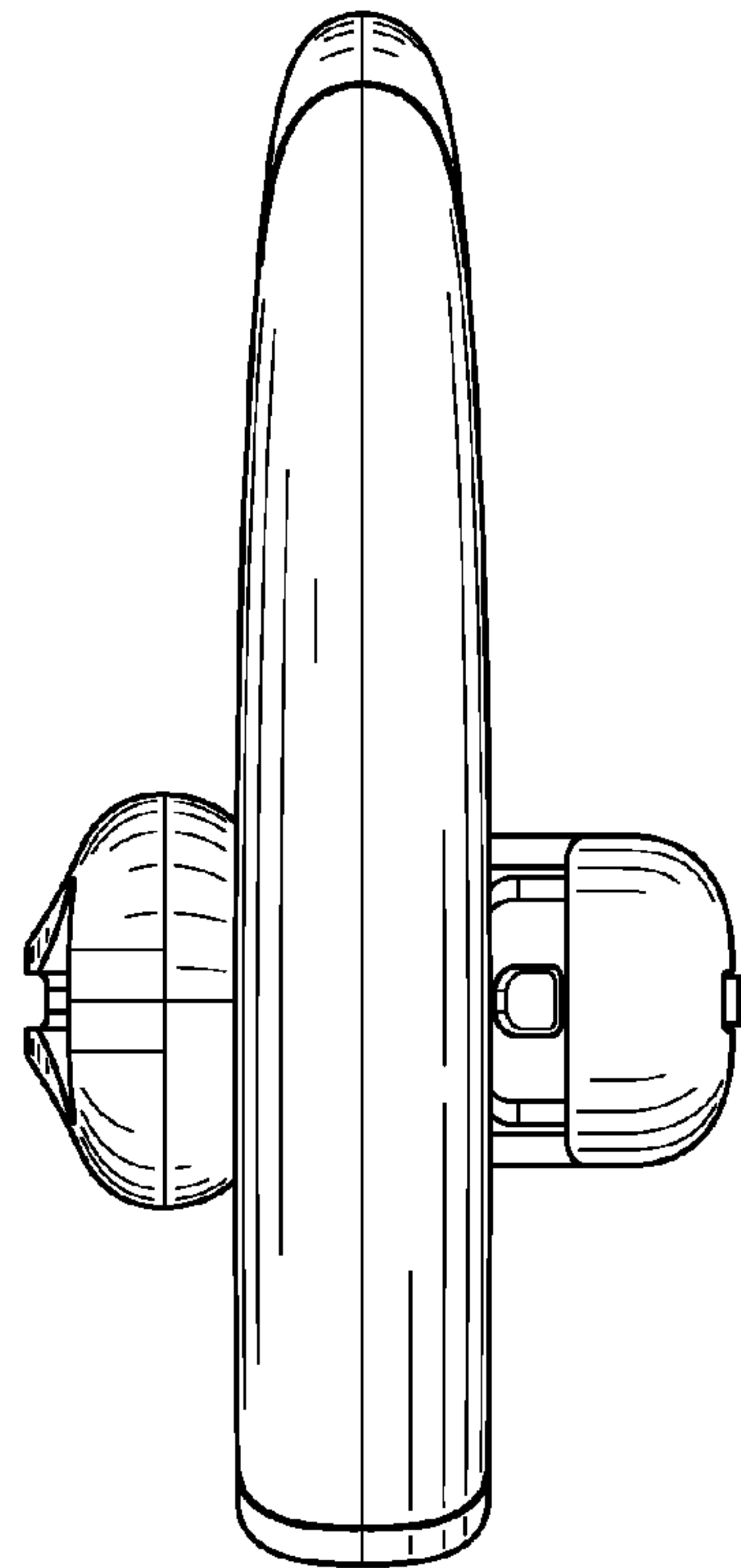


FIGURE 4

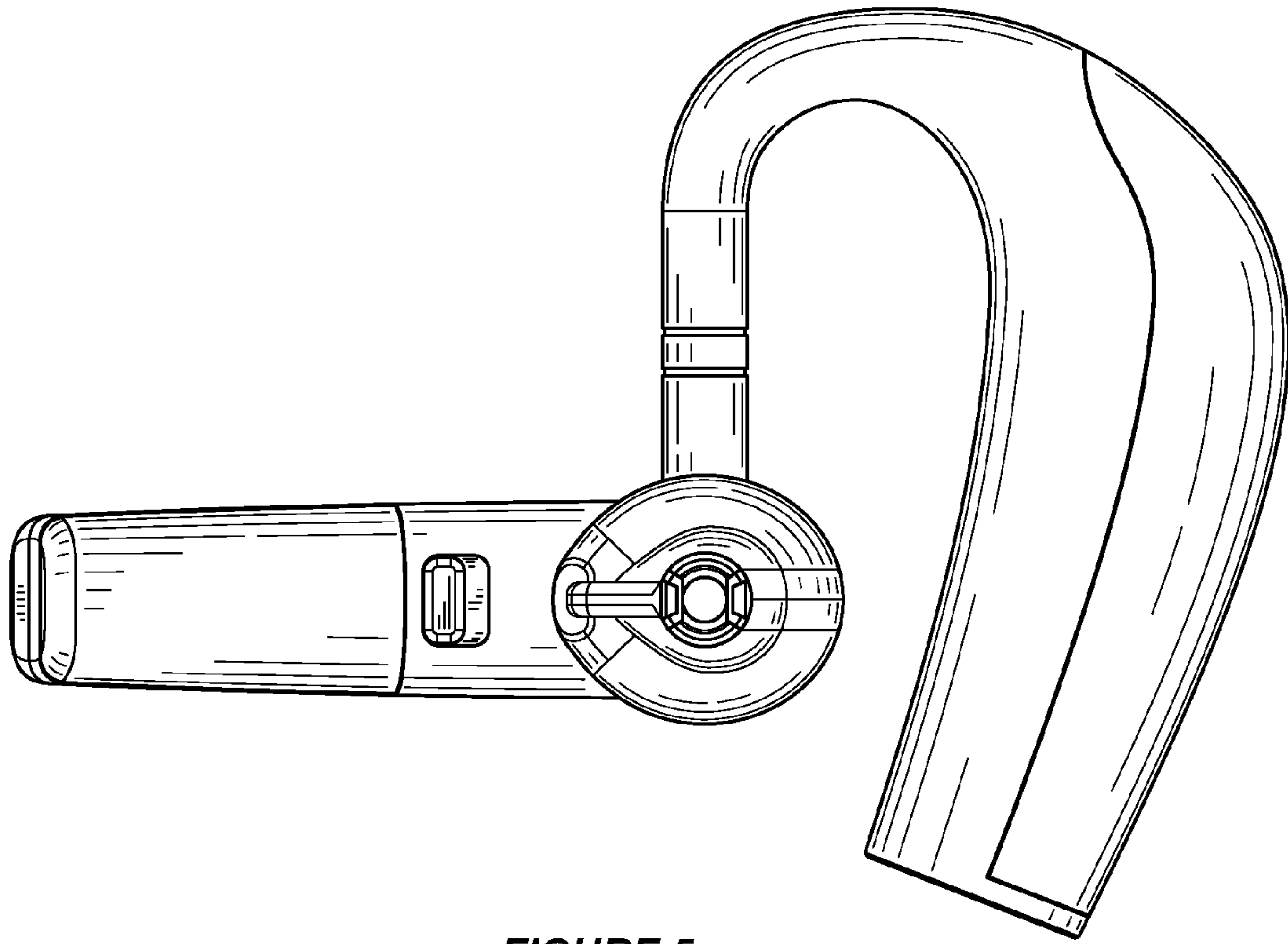


FIGURE 5

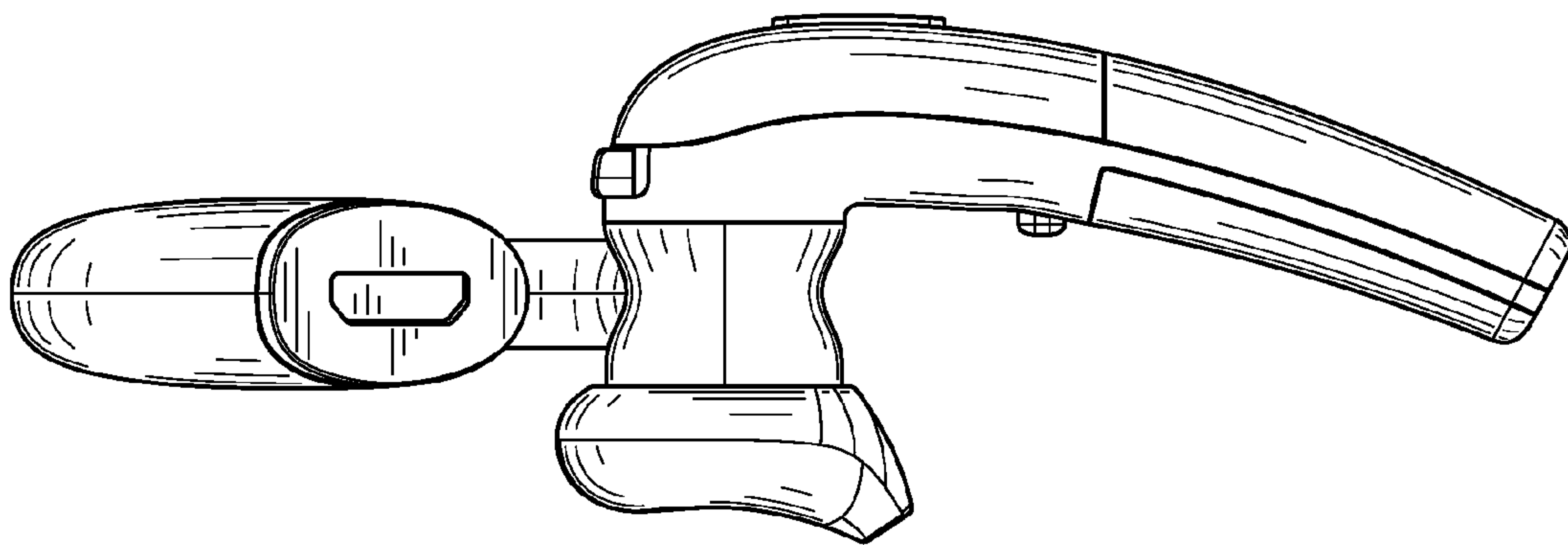


FIGURE 6

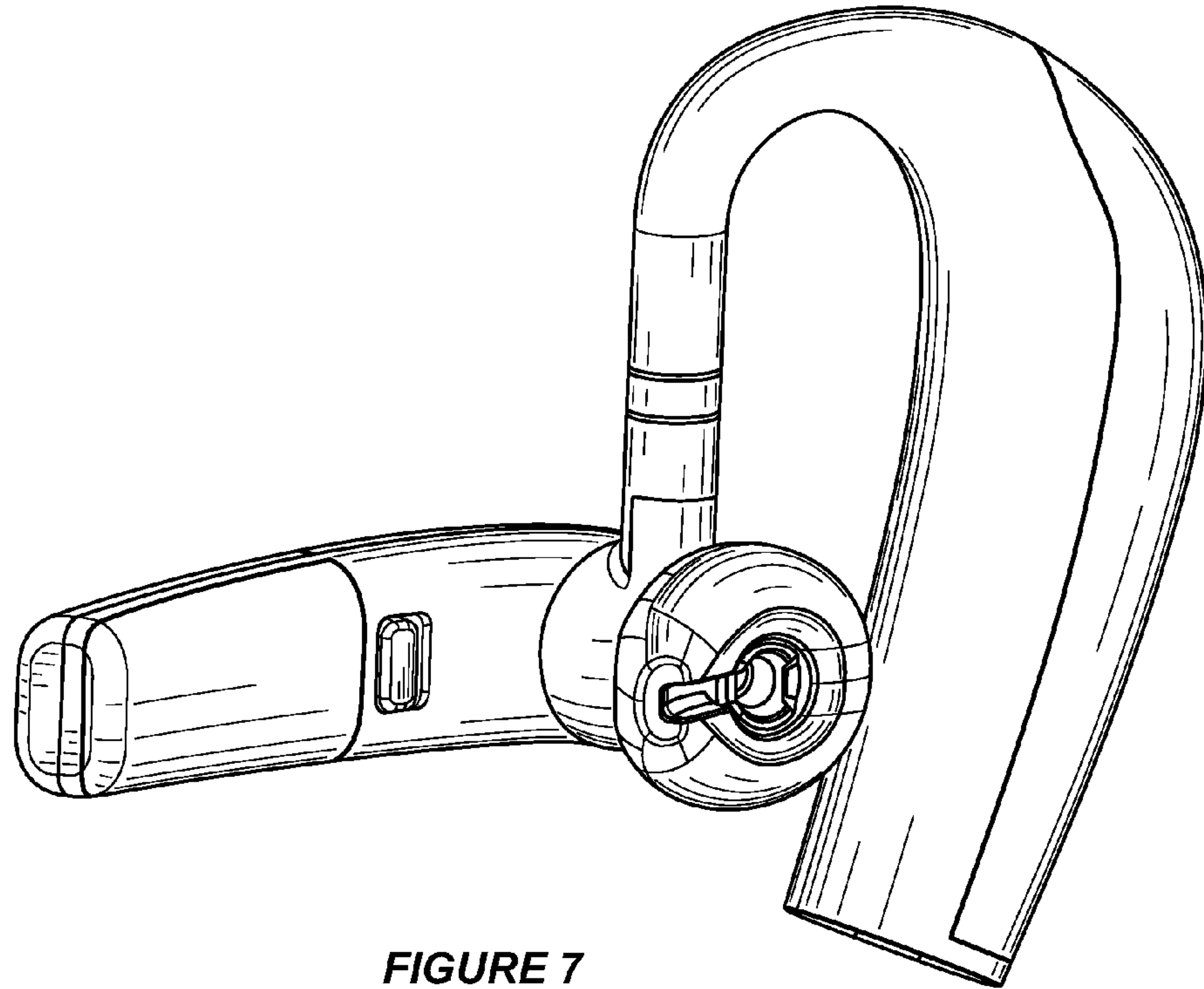


FIGURE 7

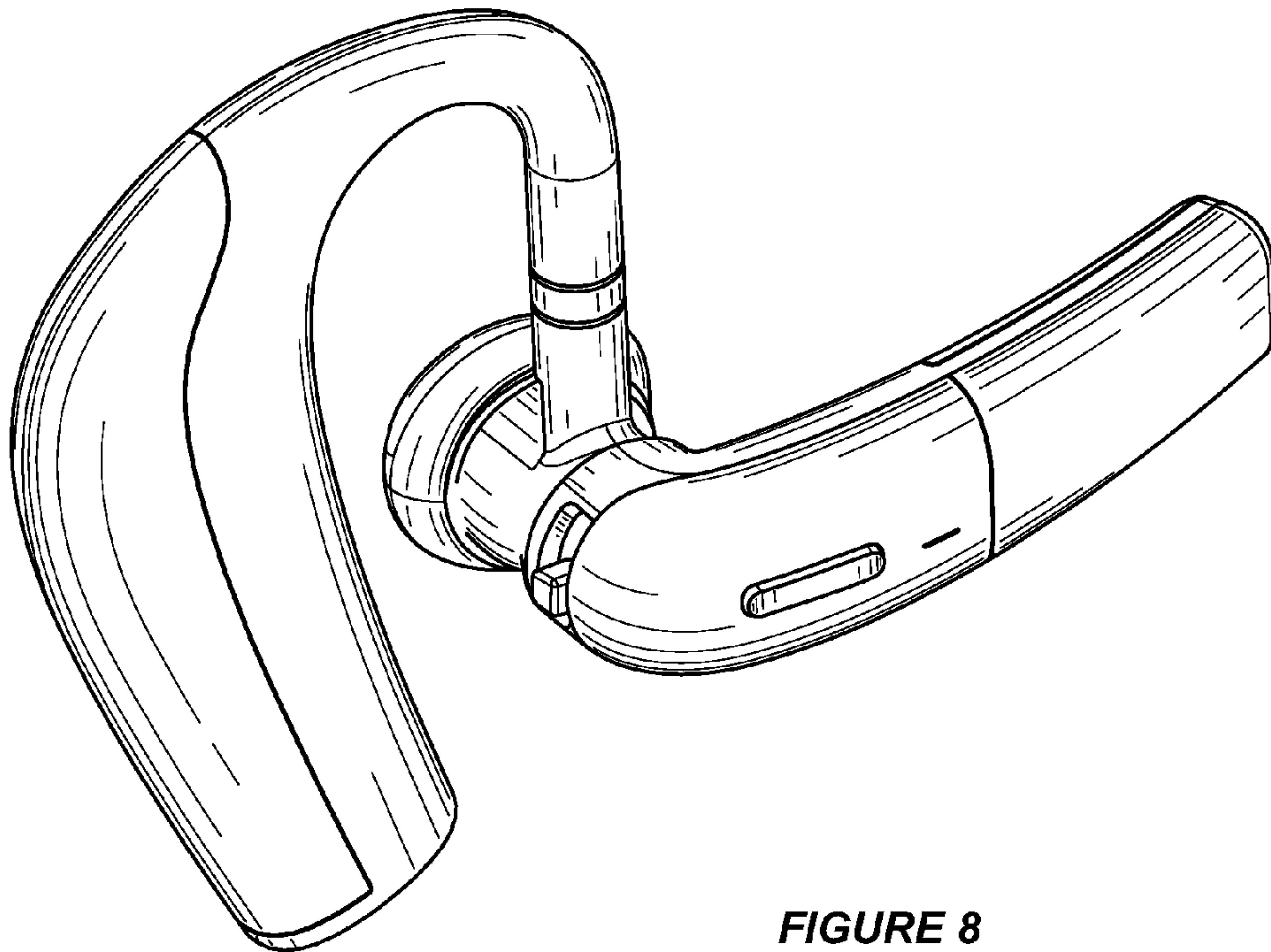


FIGURE 8

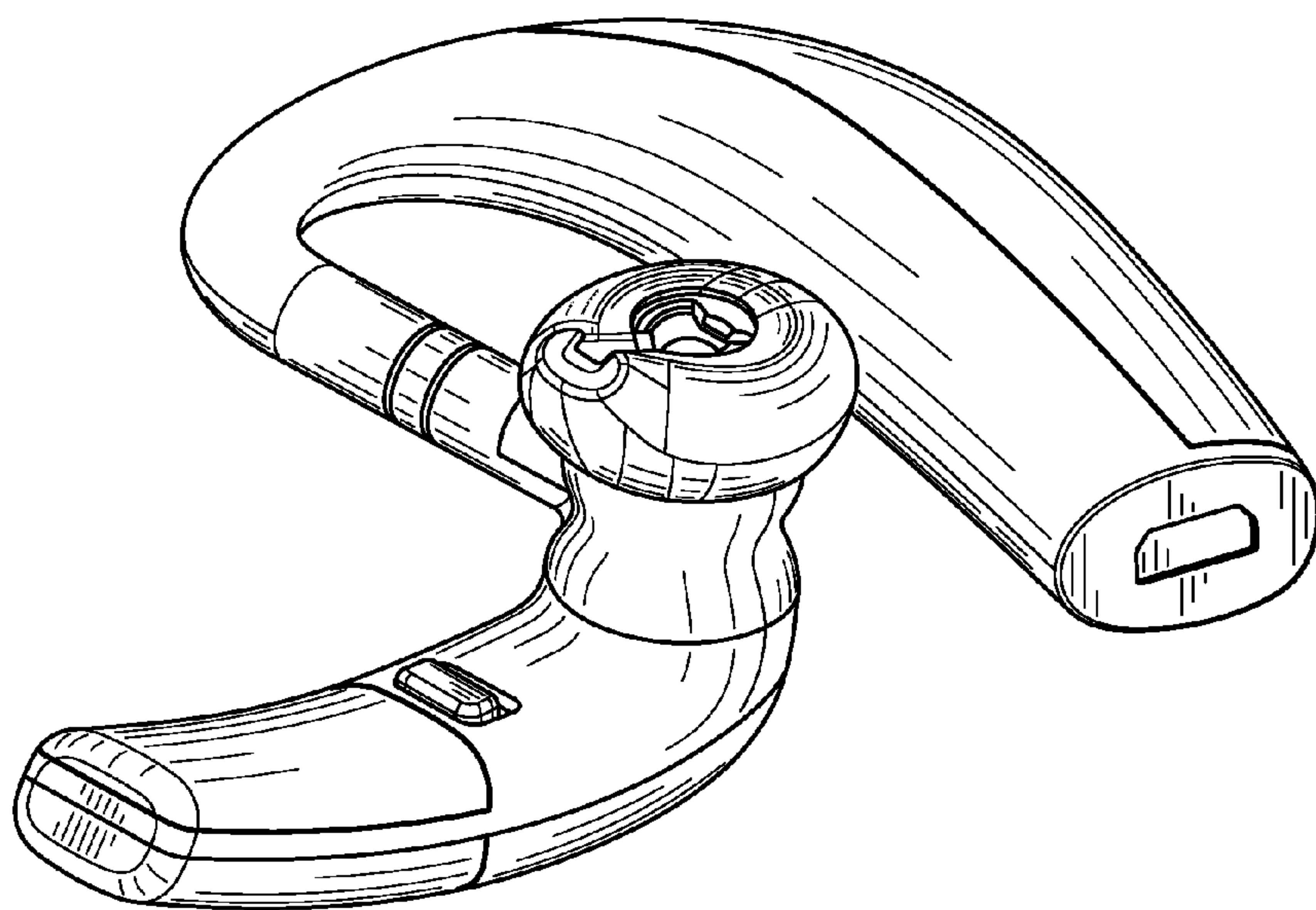


FIGURE 9

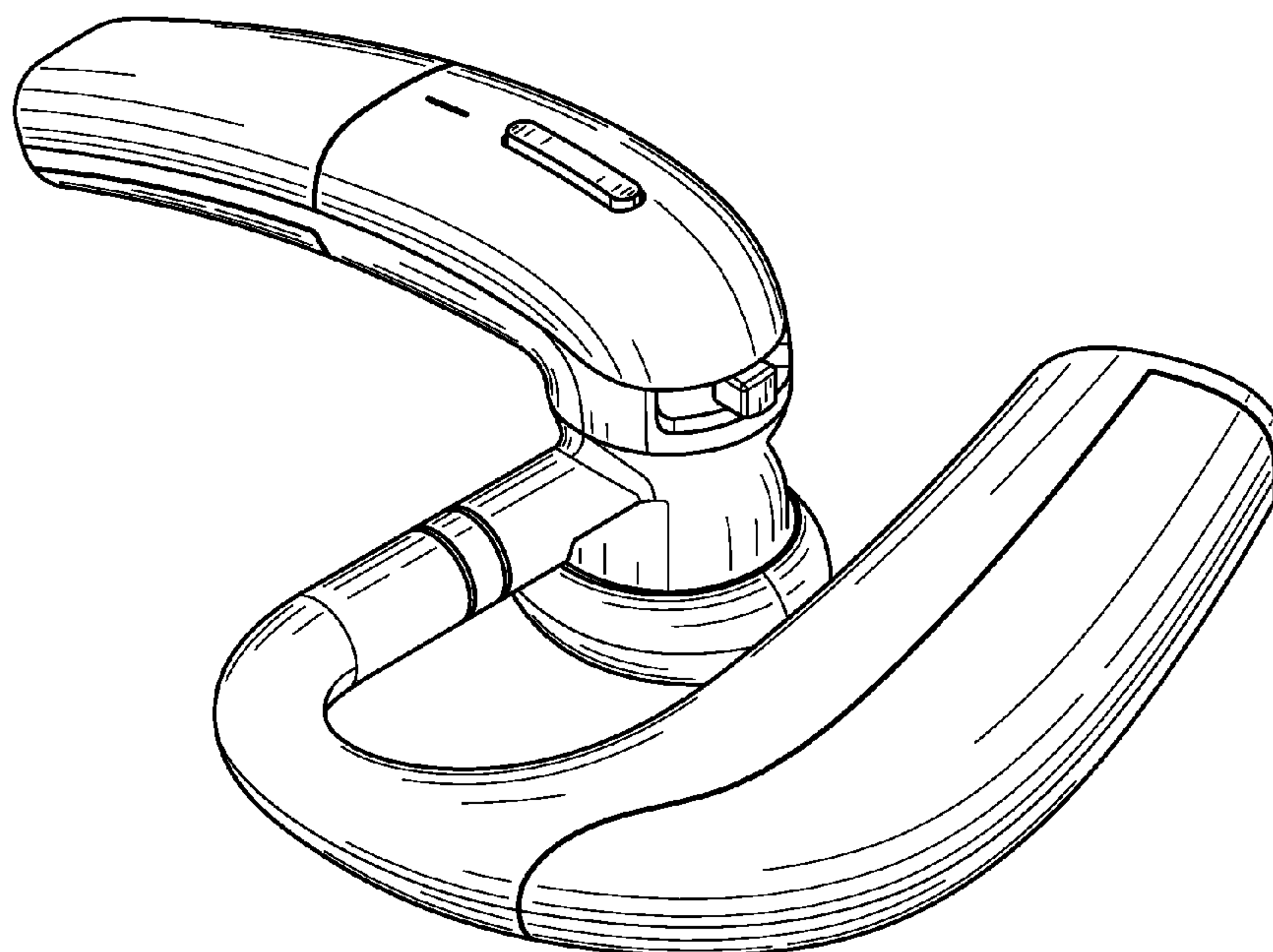


FIGURE 10

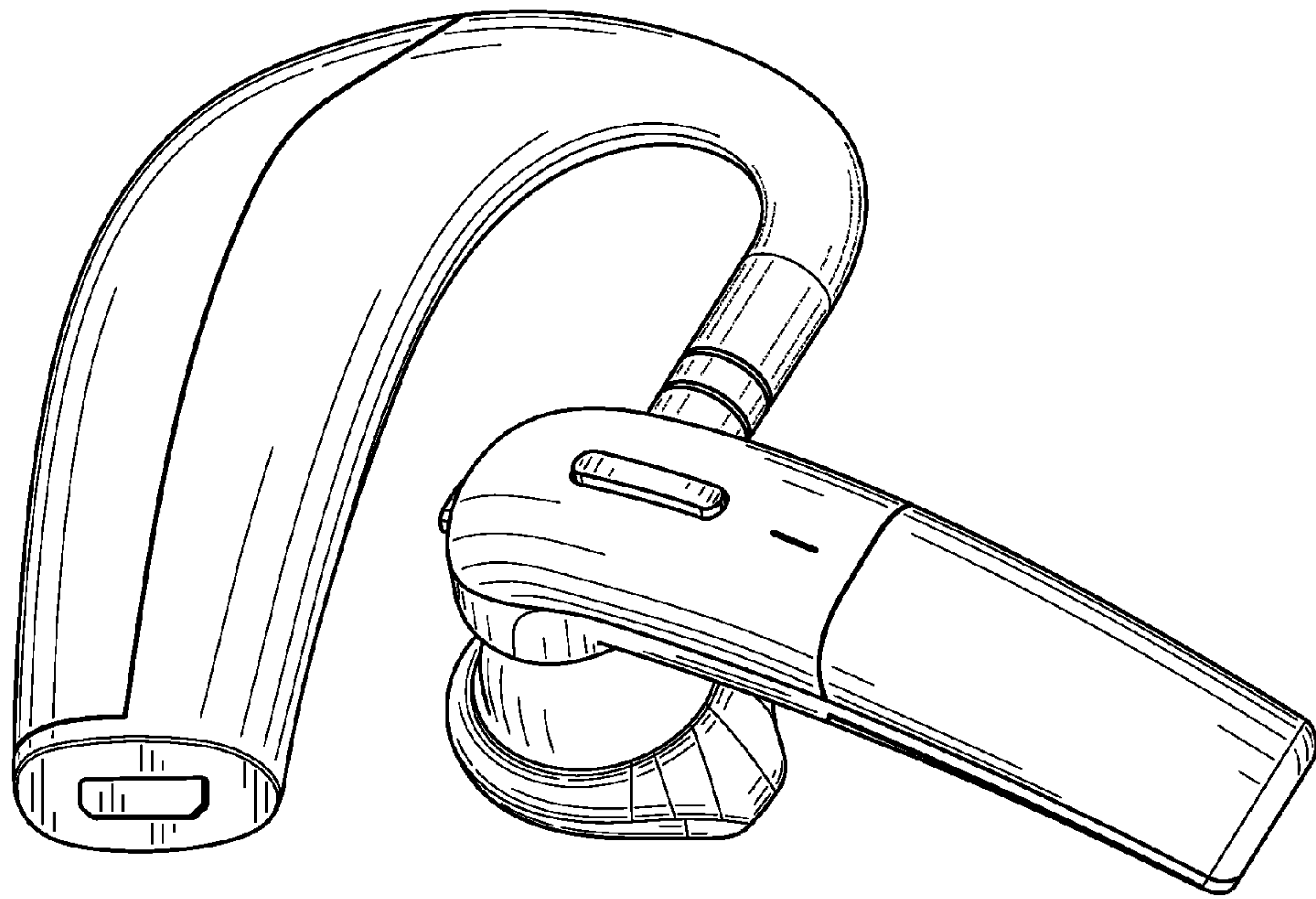


FIGURE 11