



US00D670266S

(12) **United States Design Patent**  
**Swendseid**

(10) **Patent No.:** **US D670,266 S**

(45) **Date of Patent:** **\*\* Nov. 6, 2012**

(54) **SPEAKER**

(75) Inventor: **Kent Swendseid**, Bellevue, WA (US)

(73) Assignee: **LOUD Technologies Inc.**, Woodinville, WA (US)

(\*\*) Term: **14 Years**

(21) Appl. No.: **29/403,628**

(22) Filed: **Oct. 7, 2011**

(51) **LOC (9) Cl.** ..... **14-01**

(52) **U.S. Cl.** ..... **D14/204**

(58) **Field of Classification Search** ..... D14/204,  
D14/218, 172, 210–216; 181/143, 147, 148,  
181/150, 153, 157, 198, 199, 166, 144;  
381/300–303, 306, 332, 333, 336, 345, 361–364,  
381/370, 386–388

See application file for complete search history.

(56) **References Cited**

**U.S. PATENT DOCUMENTS**

4,161,230	A *	7/1979	Ripple	.....	181/148
D334,934	S *	4/1993	Hsieh	.....	D14/204
D373,359	S *	9/1996	Meyer et al.	.....	D14/204
D405,794	S *	2/1999	Olsen	.....	D14/204

6,144,752	A *	11/2000	Chen	.....	381/386
6,270,229	B1 *	8/2001	Chien	.....	362/84
6,561,311	B2 *	5/2003	Chuang	.....	181/199
6,973,994	B2 *	12/2005	Mackin et al.	.....	181/156
6,978,030	B2 *	12/2005	Reich	.....	381/124
D518,023	S *	3/2006	Miller	.....	D14/204
D623,168	S *	9/2010	Chen	.....	D14/215
D659,678	S *	5/2012	Miller	.....	D14/214

\* cited by examiner

*Primary Examiner* — Prabhakar Deshmukh

(74) *Attorney, Agent, or Firm* — Christensen O'Connor Johnson Kindness PLLC

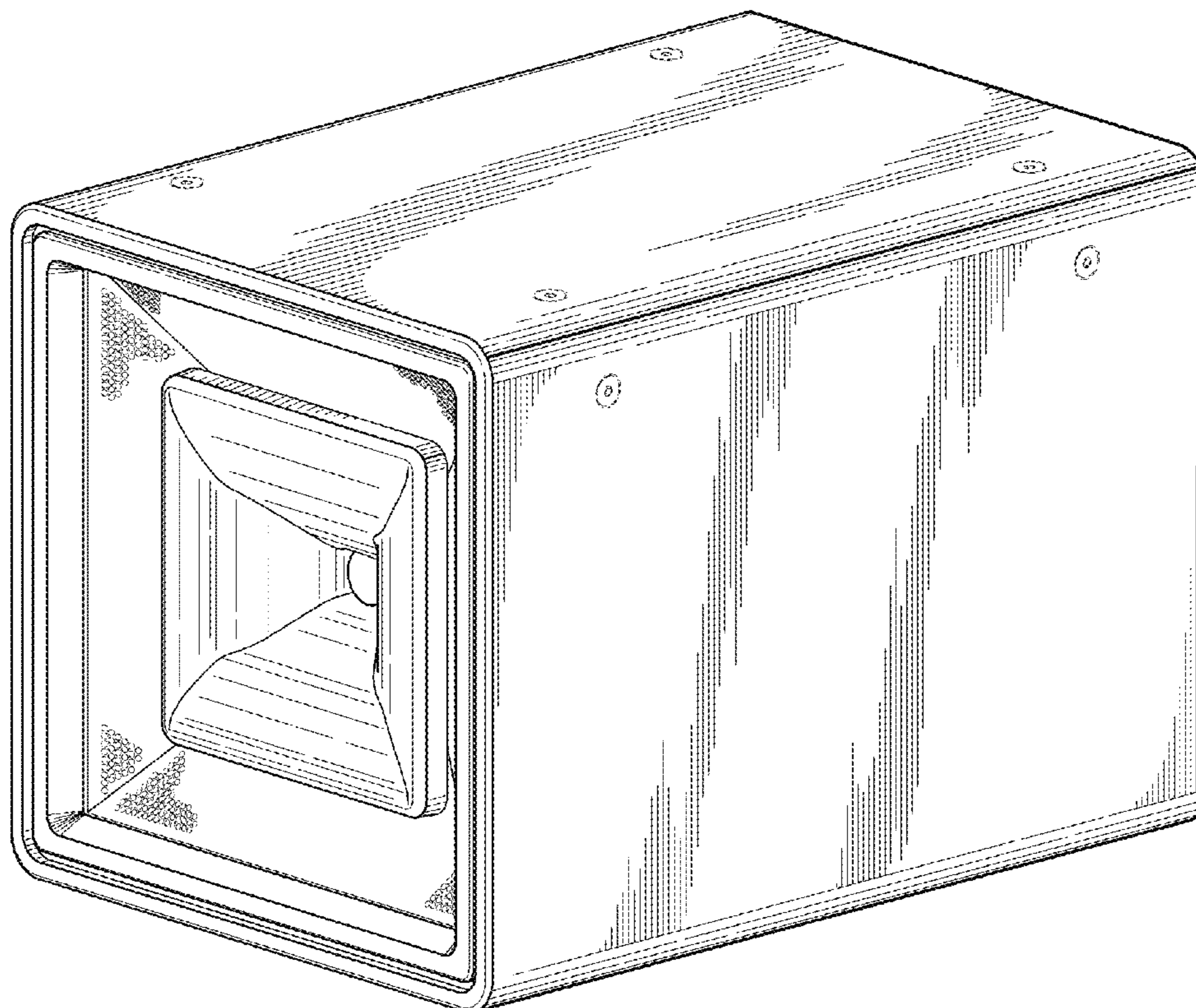
(57) **CLAIM**

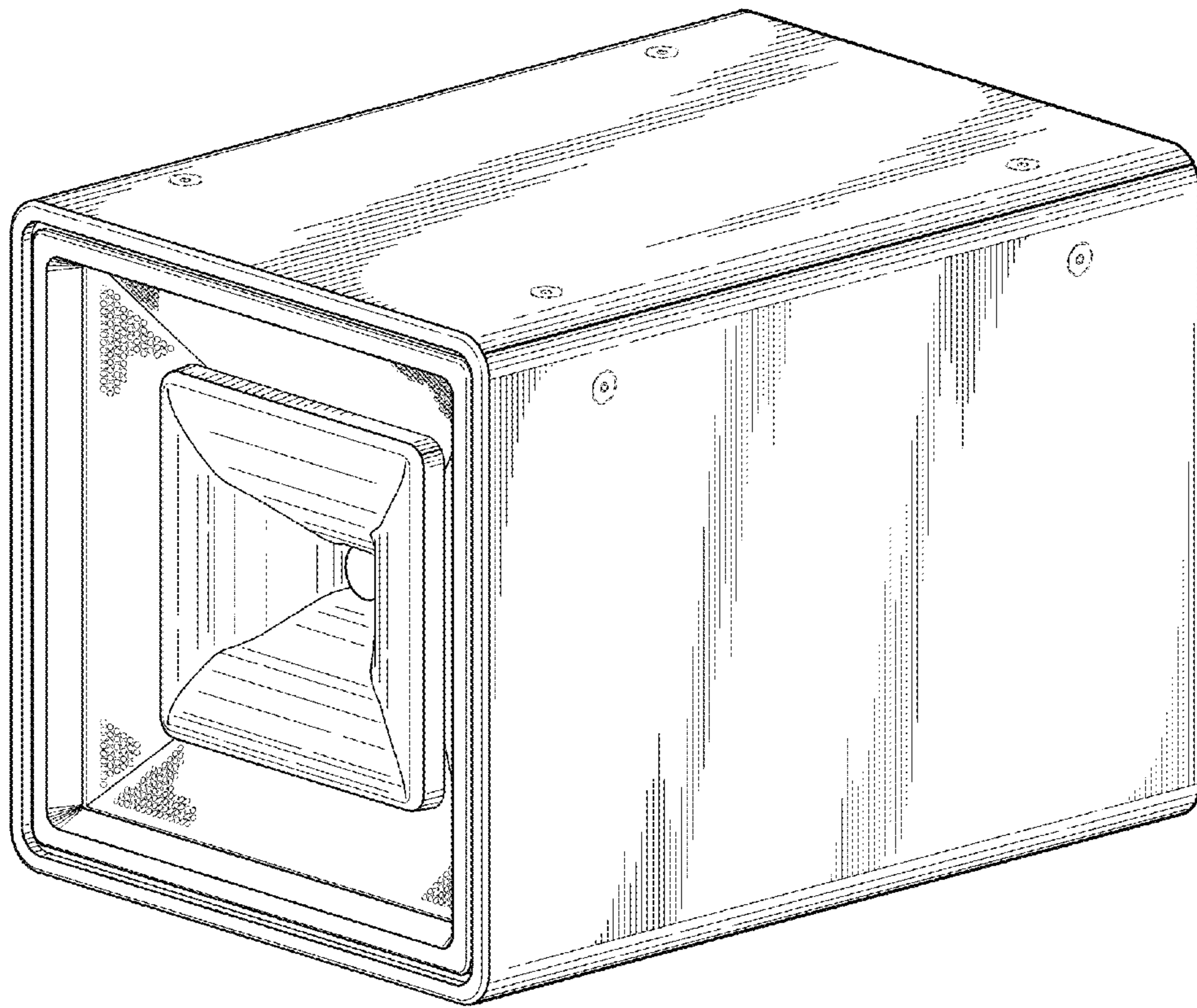
The ornamental design for a speaker, as shown and described.

**DESCRIPTION**

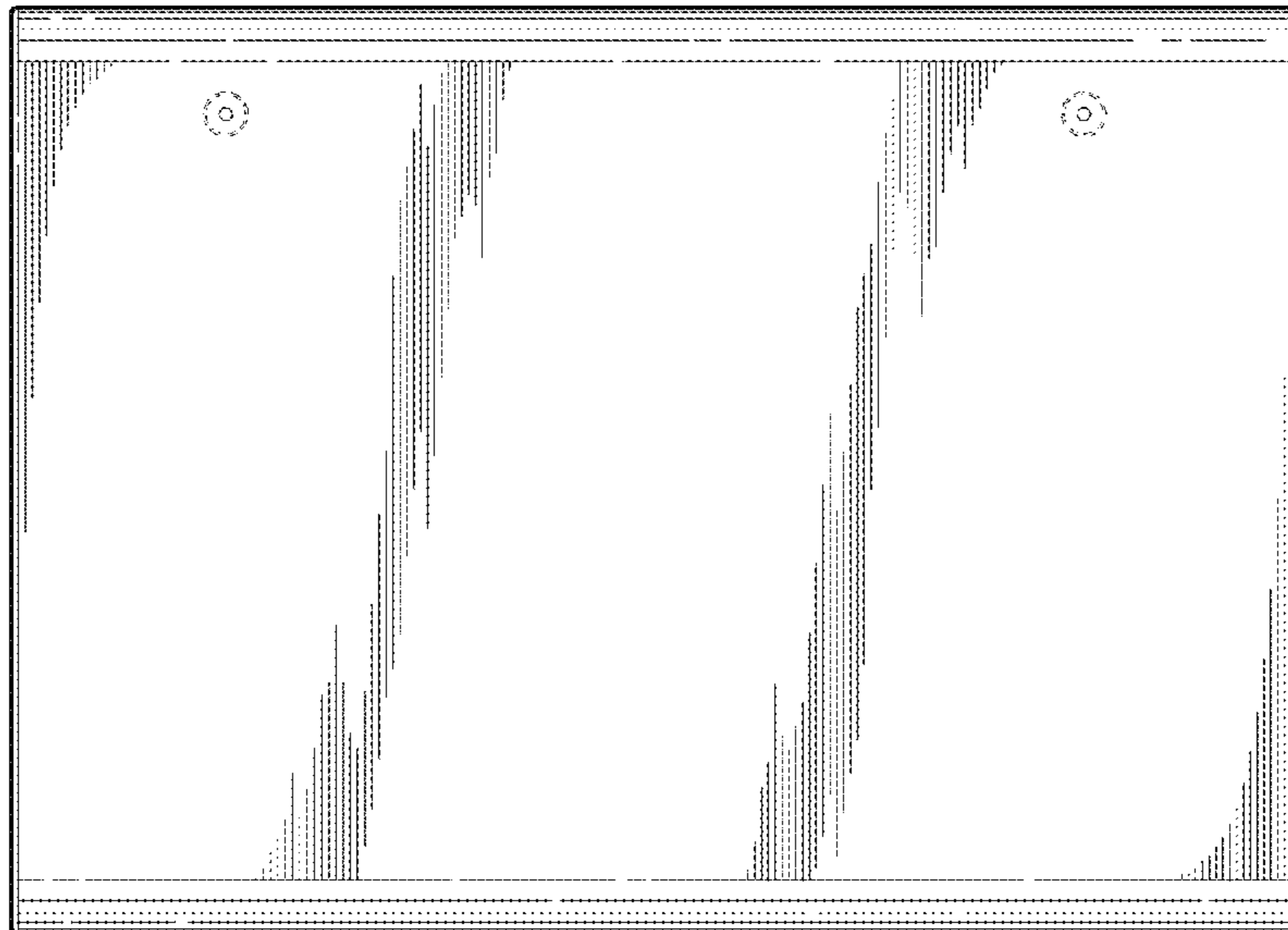
FIG. 1 is a front perspective view of a speaker showing my new design;  
FIG. 2 is a side elevational view thereof, the opposite side elevational being a mirror image thereof;  
FIG. 3 is a front elevational view thereof;  
FIG. 4 is rear elevational view thereof;  
FIG. 5 is a top plan view thereof; and,  
FIG. 6 is a bottom plan view thereof.  
The broken lines environment is for illustrative purpose only and forms no part of the claimed design.

**1 Claim, 5 Drawing Sheets**

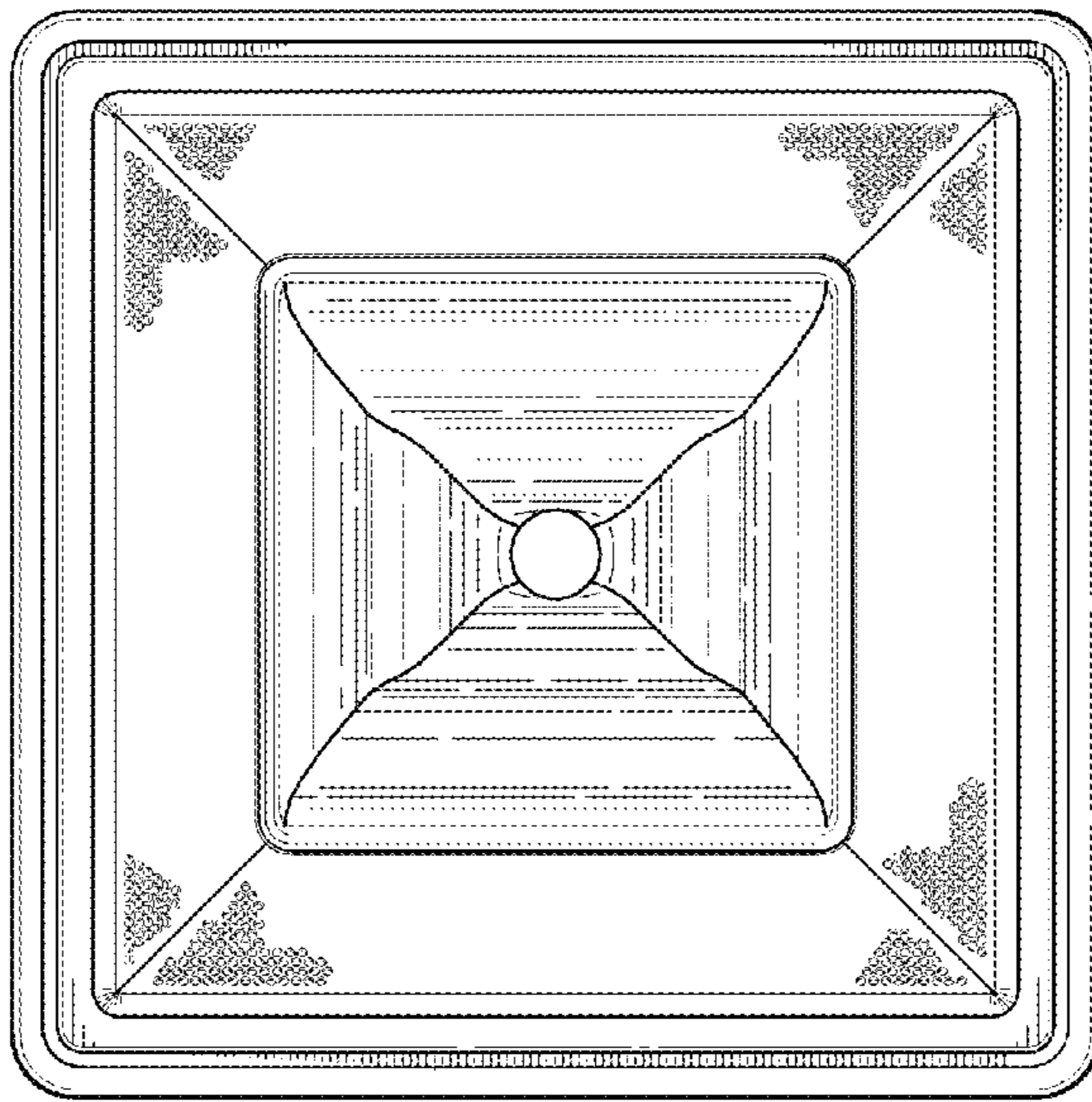




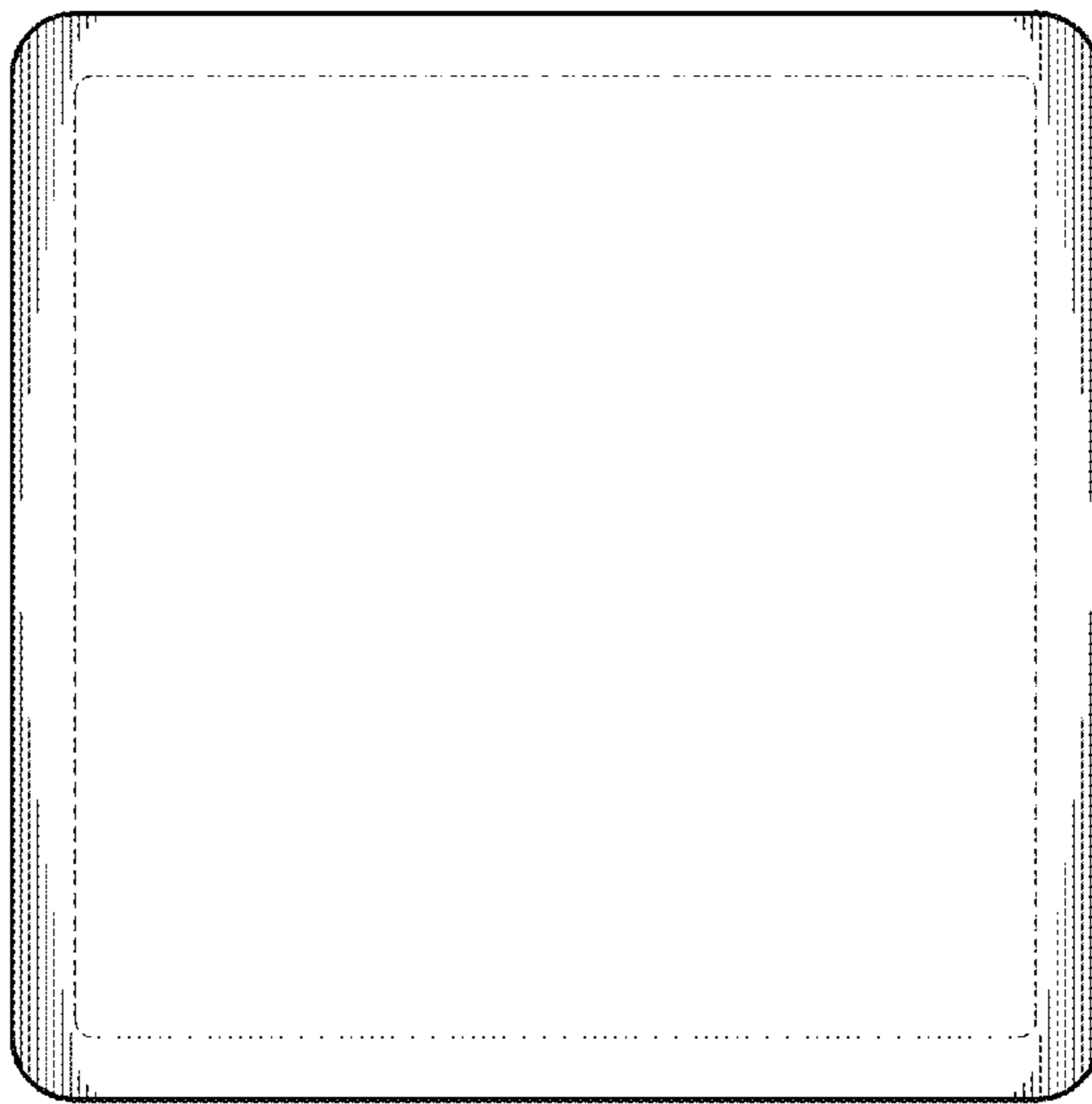
*Fig. 1.*



*Fig. 2.*

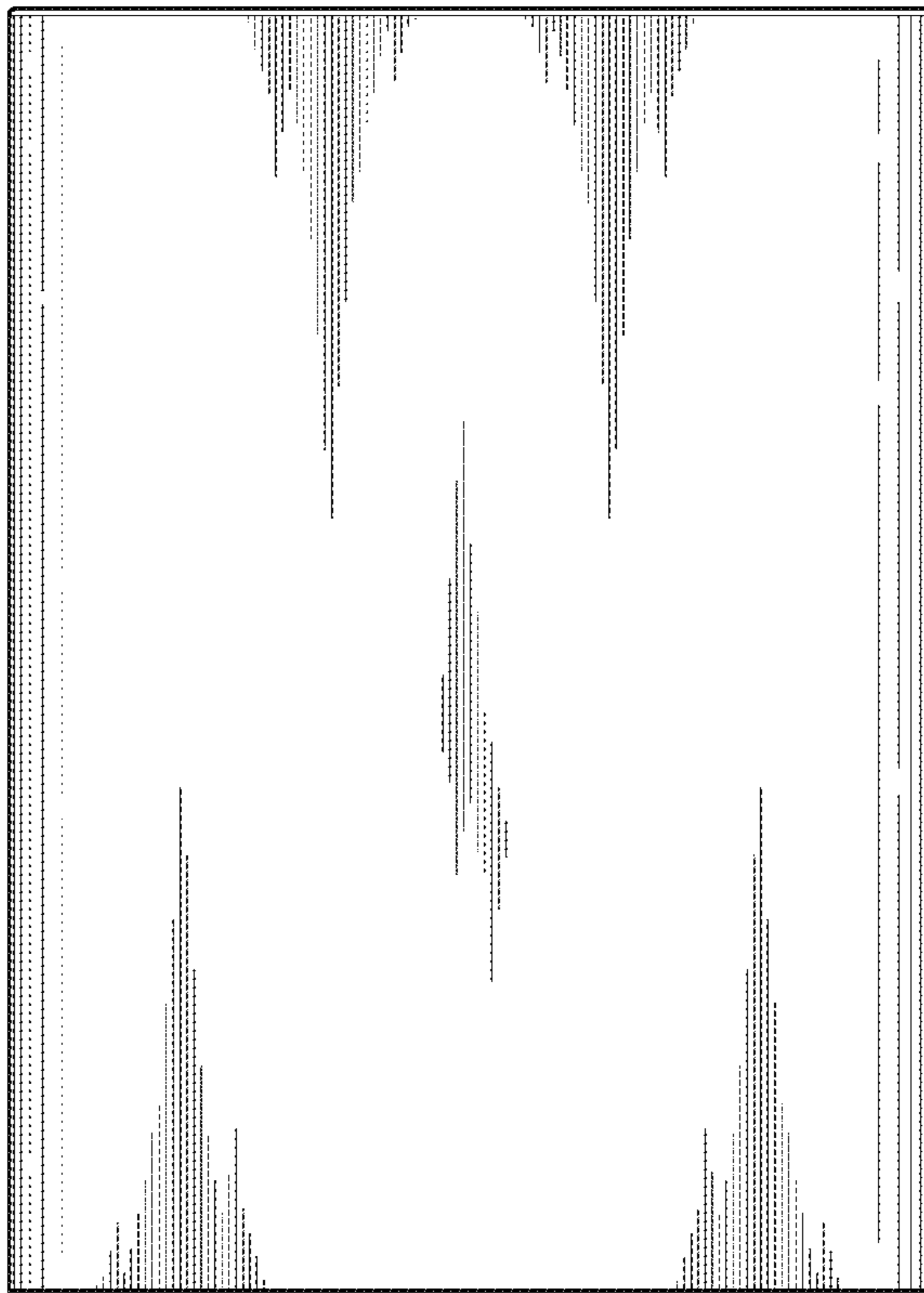


*Fig. 3.*

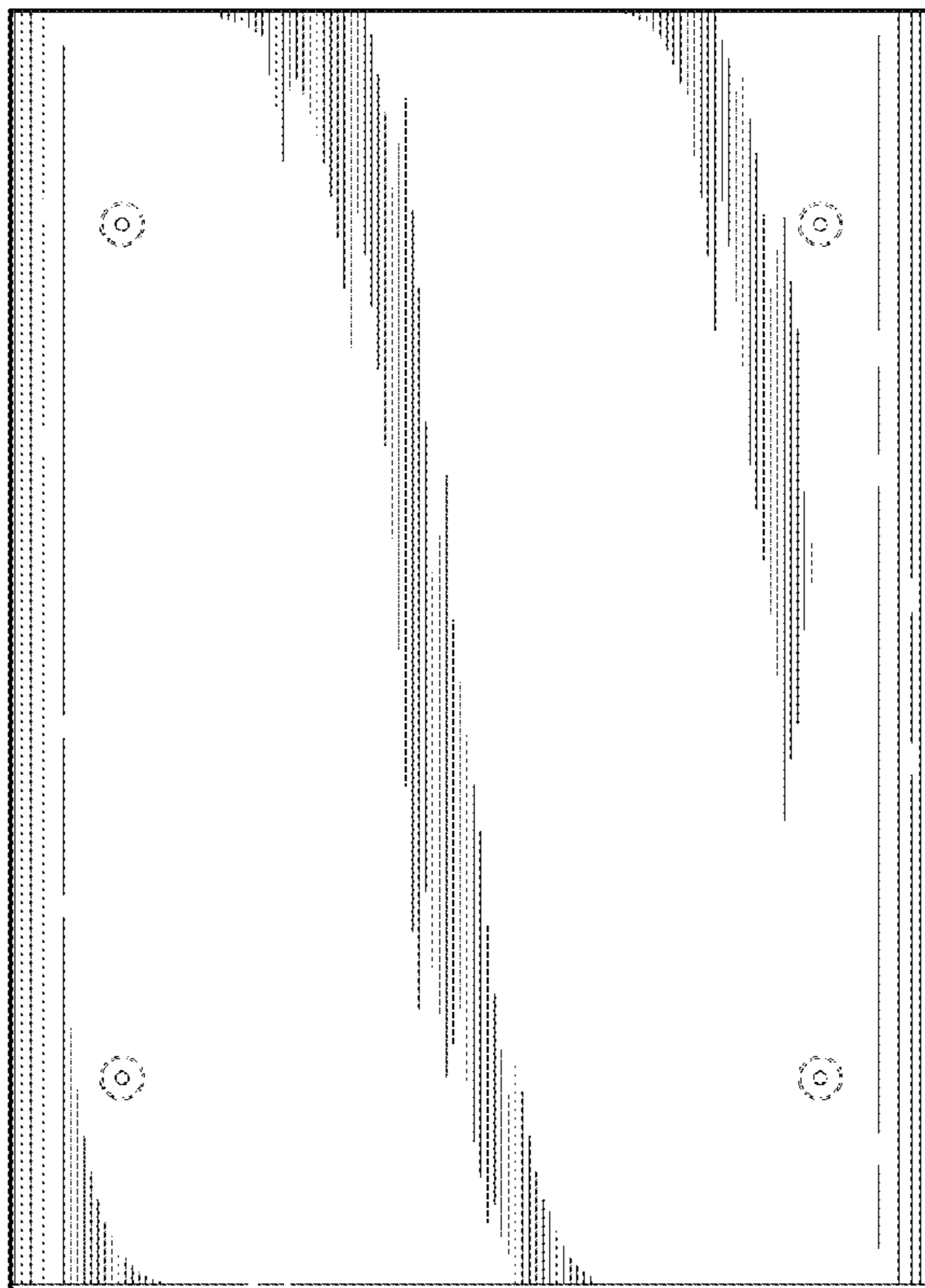


*Fig. 4.*





*Fig. 5.*



*Fig. 6.*

UNITED STATES PATENT AND TRADEMARK OFFICE  
**CERTIFICATE OF CORRECTION**

PATENT NO. : D670,266 S  
APPLICATION NO. : 29/403628  
DATED : November 6, 2012  
INVENTOR(S) : K. Swendseid

Page 1 of 1

It is certified that error appears in the above-identified patent and that said Letters Patent is hereby corrected as shown below:

**ON THE TITLE PAGE**

<b><u>COLUMN</u></b>	<b><u>LINE</u></b>	<b><u>ERROR</u></b>
(57)	Description	“FIG. 4 is rear” should read --FIG. 4 is a rear--

Signed and Sealed this  
Ninth Day of July, 2013



Teresa Stanek Rea  
*Acting Director of the United States Patent and Trademark Office*