

US00D670265S

(12) **United States Design Patent**
Motoishi

(10) **Patent No.:** **US D670,265 S**
(45) **Date of Patent:** **** Nov. 6, 2012**

- (54) **AUDIO PLAYER**
- (75) Inventor: **Takuya Motoishi**, Tokyo (JP)
- (73) Assignee: **Sony Corporation**, Tokyo (JP)
- (**) Term: **14 Years**
- (21) Appl. No.: **29/395,931**
- (22) Filed: **Apr. 24, 2012**

Related U.S. Application Data

- (62) Division of application No. 29/347,418, filed on Dec. 28, 2009, now Pat. No. Des. 659,669.
- (51) **LOC (9) Cl.** **14-03**
- (52) **U.S. Cl.** **D14/188; D14/257; D14/265**
- (58) **Field of Classification Search** D14/126, D14/127, 131, 137, 155, 160-171, 188, 192-198, D14/203.1-203.8, 204, 217, 257, 258, 265, D14/496; 455/344-351; 369/6-12; D11/132
See application file for complete search history.

References Cited

U.S. PATENT DOCUMENTS

D305,703 S	1/1990	Wang
D354,285 S	1/1995	Lee
D416,557 S	11/1999	Matsuoka
D423,006 S	4/2000	Matsuoka
D424,058 S	5/2000	Shudo
D439,227 S	3/2001	Okada et al.
D452,852 S	1/2002	Hyogo et al.
D455,415 S	4/2002	Suzuki
D467,569 S	12/2002	Kobayashi
D468,276 S	1/2003	Chang
D468,718 S	1/2003	Cuvelier
D491,902 S	6/2004	Chen
D496,944 S	10/2004	Huang
D505,410 S	5/2005	Sugiyama
D512,045 S	11/2005	Motoishi
D516,539 S	3/2006	Masui
D521,974 S	5/2006	Katsumata

D522,019 S	*	5/2006	Peng	D14/203.7
D547,298 S		7/2007	Hibino		
D547,300 S		7/2007	Hibino		
D547,308 S		7/2007	Aihara		
D550,646 S		9/2007	Kaneko		
D556,162 S		11/2007	Tragatschnig		
D556,733 S		12/2007	Law		
D565,559 S		4/2008	Aihara		
D567,255 S		4/2008	Miyawaki		
D571,347 S		6/2008	Masul		
D571,756 S		6/2008	Sugiyama et al.		
D576,177 S		9/2008	Asanuma et al.		
D582,909 S		12/2008	Yamamoto		
D597,065 S		7/2009	Hong		
D608,774 S		1/2010	Iwamoto et al.		
D611,928 S		3/2010	Hansen et al.		
D624,911 S	*	10/2010	Lee et al.	D14/315
D629,788 S	*	12/2010	Lee	D14/203.7
D630,185 S	*	1/2011	Tomono et al.	D14/157
D633,079 S	*	2/2011	Hsu	D14/203.7

(Continued)

Primary Examiner — Keli L Hill

(74) *Attorney, Agent, or Firm* — Rader, Fishman & Grauer PLLC

(57) **CLAIM**

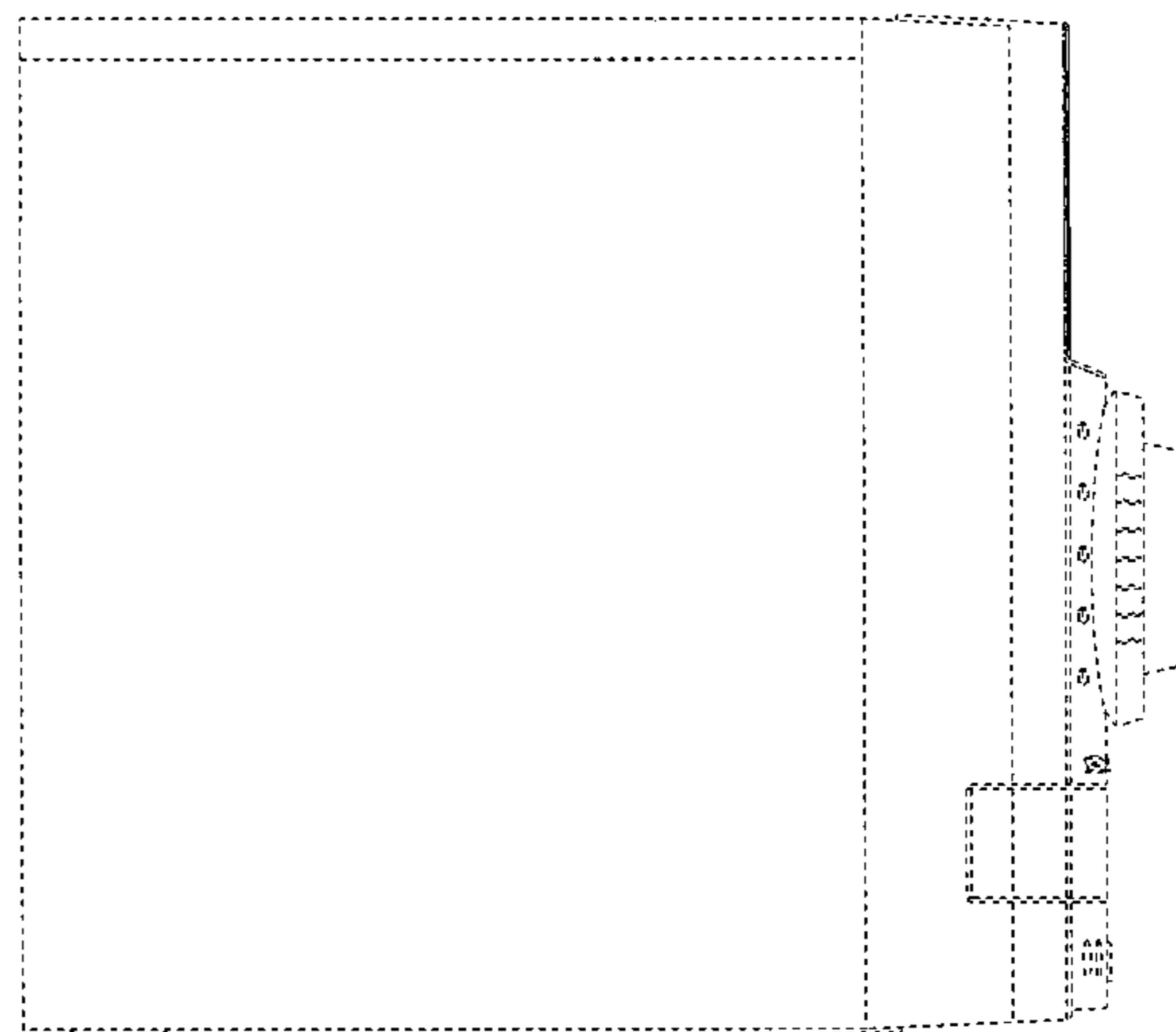
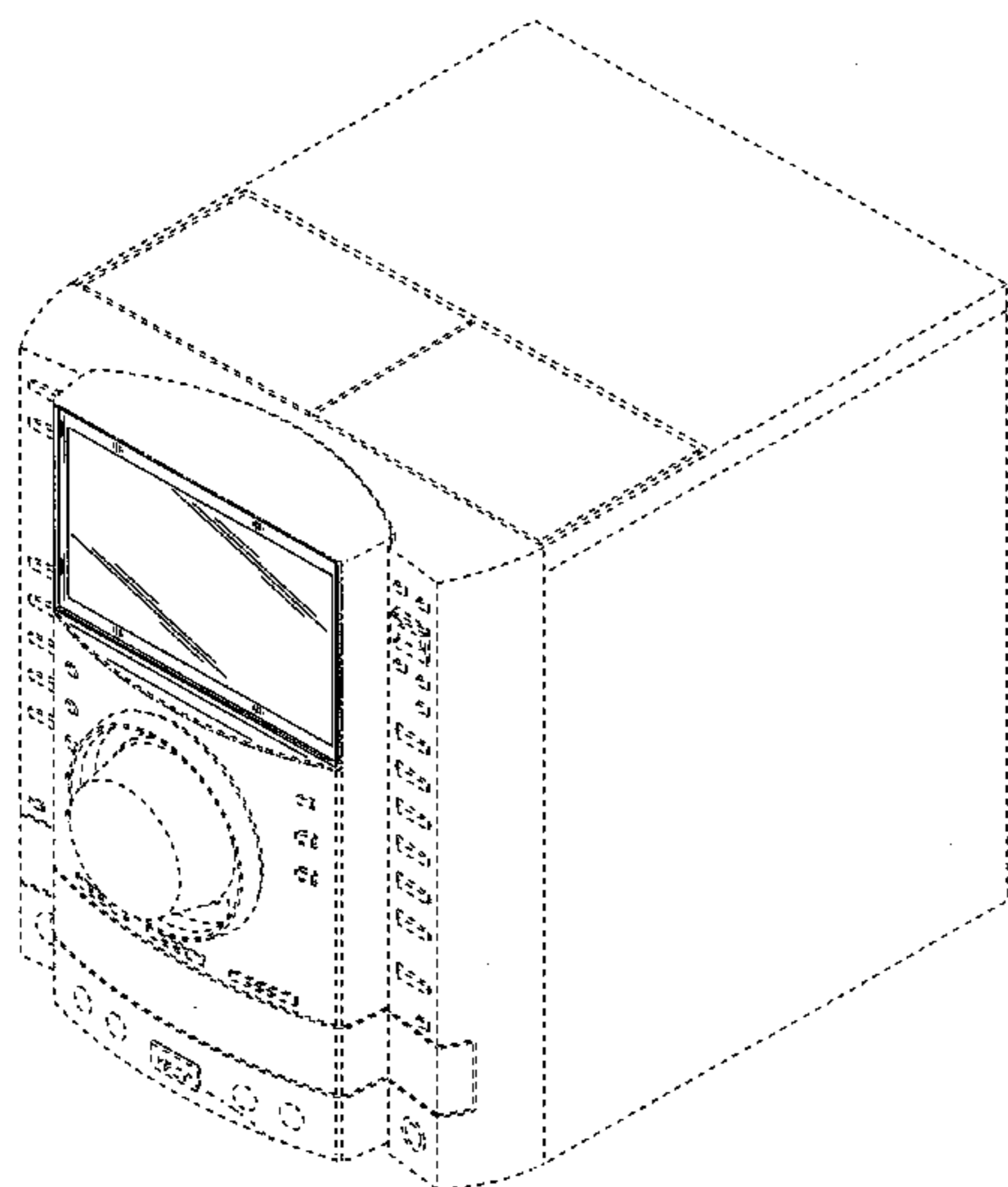
The ornamental design for an audio player, as shown and described.

DESCRIPTION

FIG. 1 is a perspective view of an audio player showing my new design;
FIG. 2 is a front elevational view thereof;
FIG. 3 is a left side elevational view thereof;
FIG. 4 is a right side elevational view thereof; and,
FIG. 5 is a top plan view thereof.

The dot-dash broken lines represent the bounds of the claimed design while all other broken lines are included for the purpose of illustrating the unclaimed portions of the audio player; the broken lines form no part of the claimed design.

1 Claim, 5 Drawing Sheets



US D670,265 S

Page 2

U.S. PATENT DOCUMENTS

D649,950 S	*	12/2011	Chiu	D14/126				
D659,669 S	*	5/2012	Sarif et al.	D14/188				
D661,271 S	*	6/2012	Hwangbo et al.	D14/126				
					* cited by examiner			
				D661,272 S	*	6/2012	Kim et al.	D14/126
				D661,671 S	*	6/2012	Laube et al.	D14/126

FIG.1

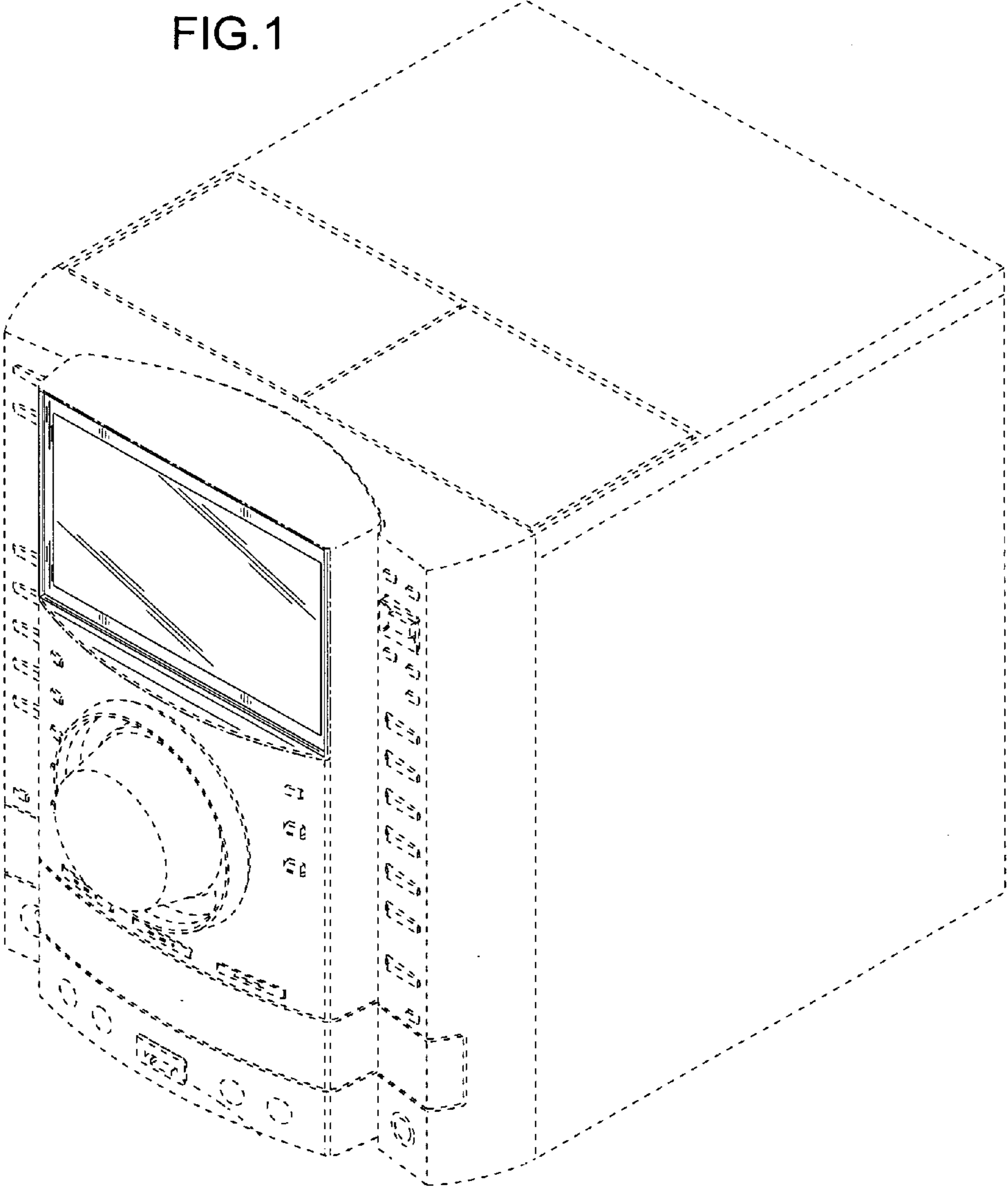
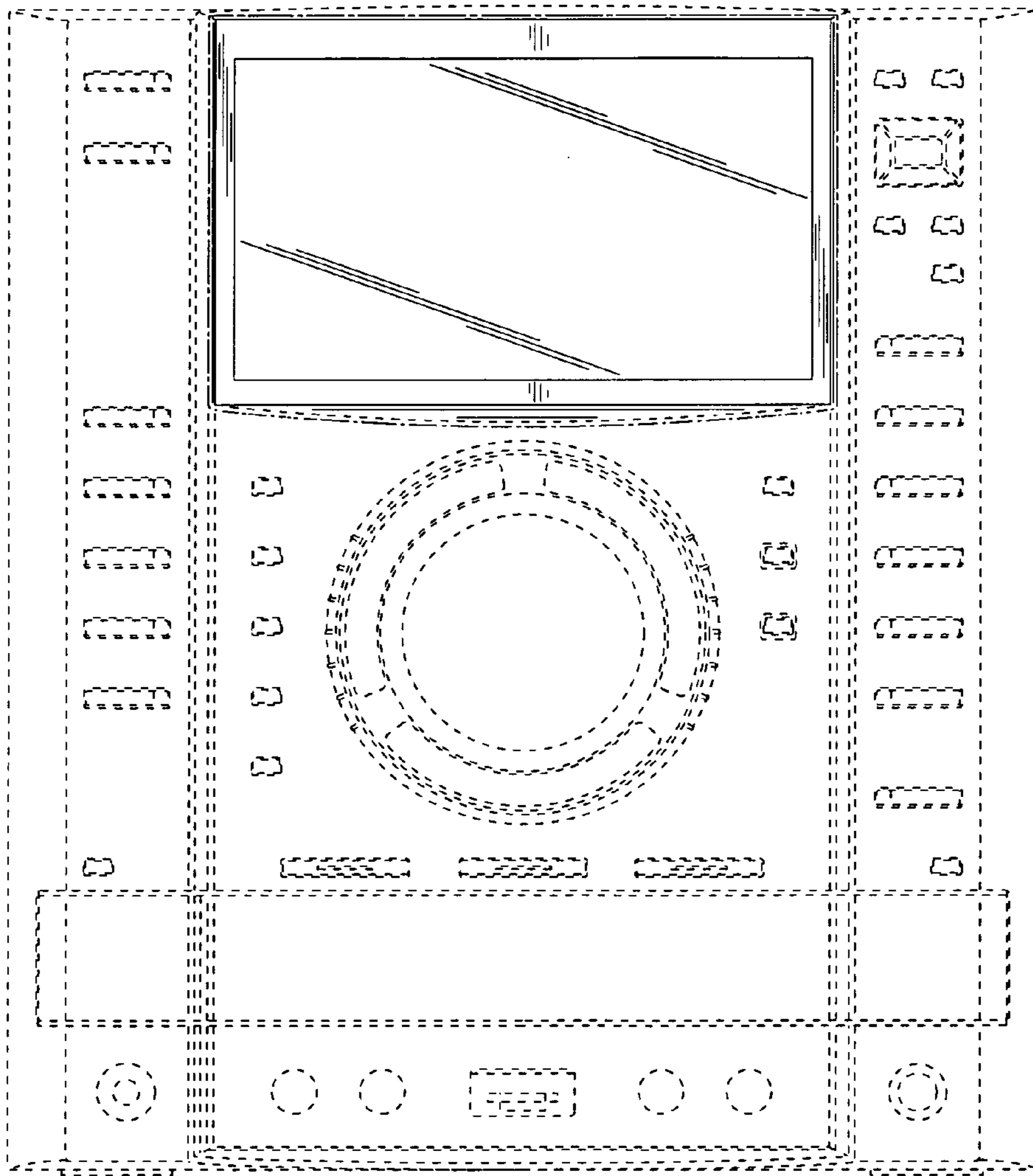


FIG.2



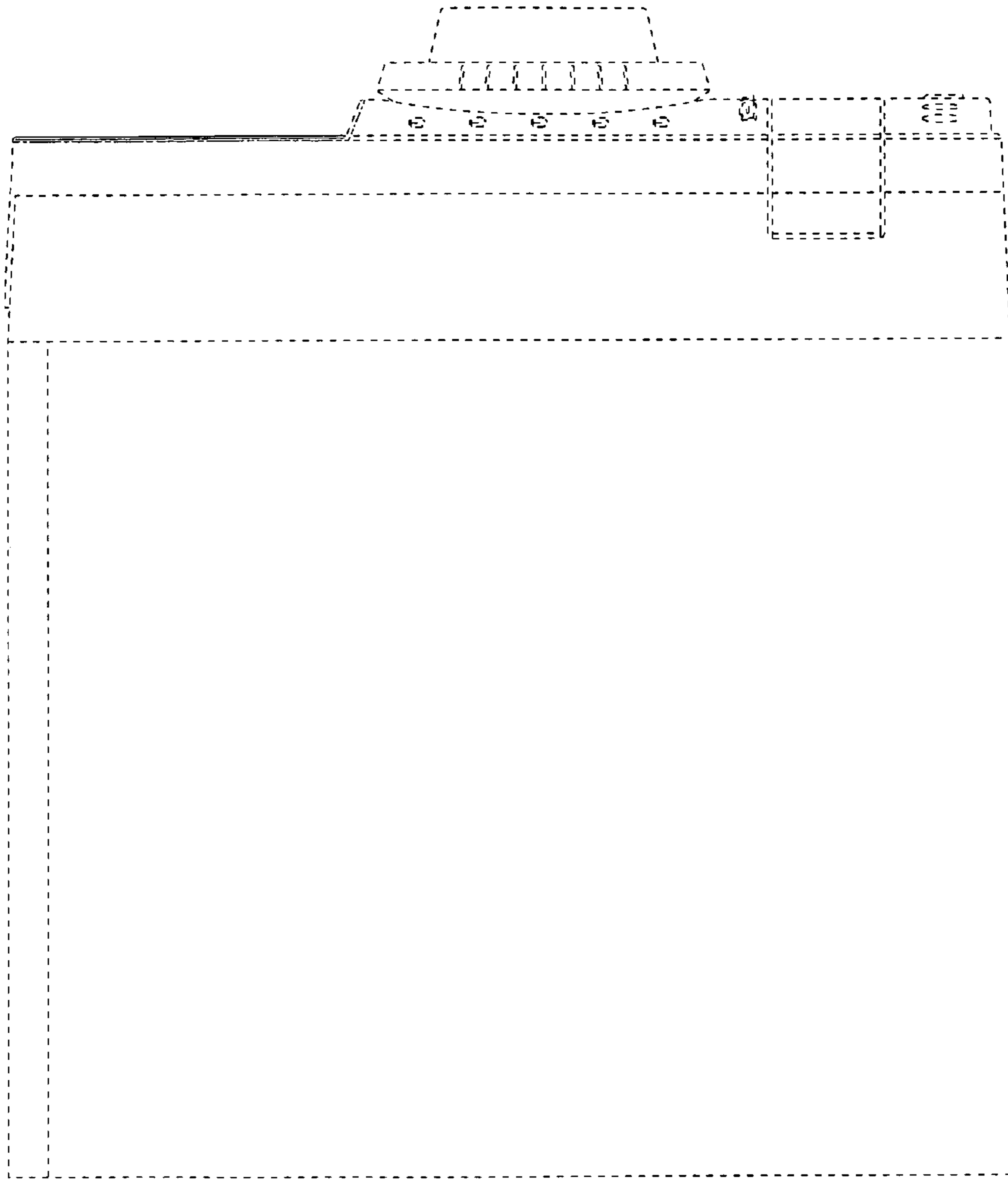


FIG. 3

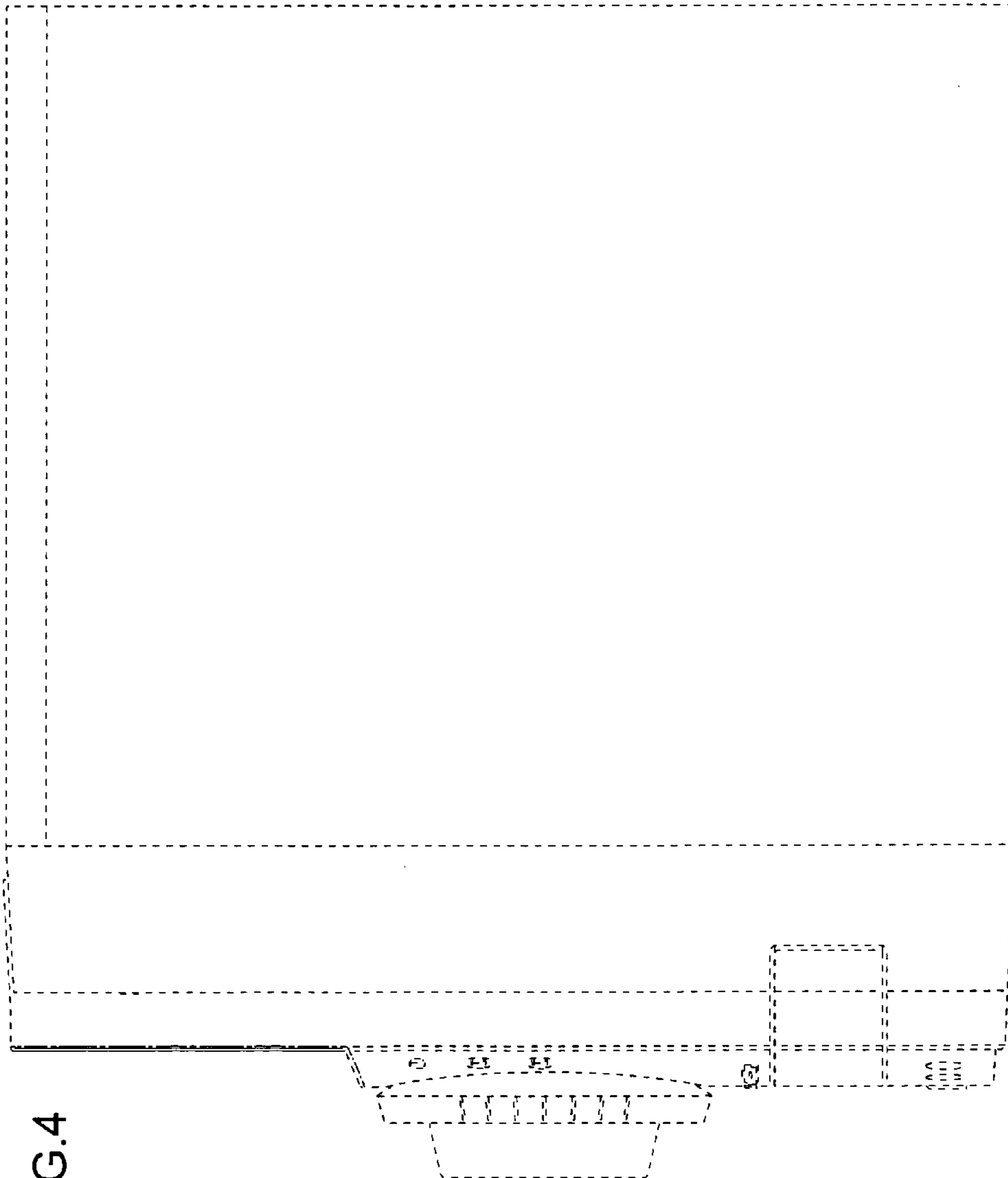


FIG. 4

FIG.5

