



US00D670264S

(12) **United States Design Patent**
Tsai

(10) **Patent No.:** **US D670,264 S**

(45) **Date of Patent:** **** Nov. 6, 2012**

(54) **PORTABLE MEDIA SPEAKER WITH A WEBCAM**

(75) Inventor: **Kun-Wei Tsai**, New Taipei (TW)

(73) Assignee: **Cheng Uei Precision Industry Co., Ltd.**, New Taipei (TW)

(**) Term: **14 Years**

(21) Appl. No.: **29/404,727**

(22) Filed: **Oct. 25, 2011**

(51) **LOC (9) Cl.** **14-01**

(52) **U.S. Cl.** **D14/172**

(58) **Field of Classification Search** D14/204,
D14/209–216, 135, 168, 172, 502, 188, 194,
D14/197; 181/143, 144, 147, 148, 150, 157,
181/198, 199, 151, 153; 381/330–302, 306,
381/333, 345, 361–364, 386–388, 331, 336
See application file for complete search history.

(56) **References Cited**

U.S. PATENT DOCUMENTS

4,582,162 A * 4/1986 Katsuno 181/141
4,942,939 A * 7/1990 Harrison 181/156
D418,138 S * 12/1999 Miyazaki D14/214
D472,542 S * 4/2003 Oikawa D14/172

D551,208 S * 9/2007 Yano D14/214
D578,997 S * 10/2008 Takuma D14/172
D579,914 S * 11/2008 Okamura et al. D14/172
D589,929 S * 4/2009 Okamura et al. D14/172
7,840,415 B2 * 11/2010 Schifone 705/1.1

* cited by examiner

Primary Examiner — Prabhakar Deshmukh

(74) *Attorney, Agent, or Firm* — WPAT, P.C.; Anthony King

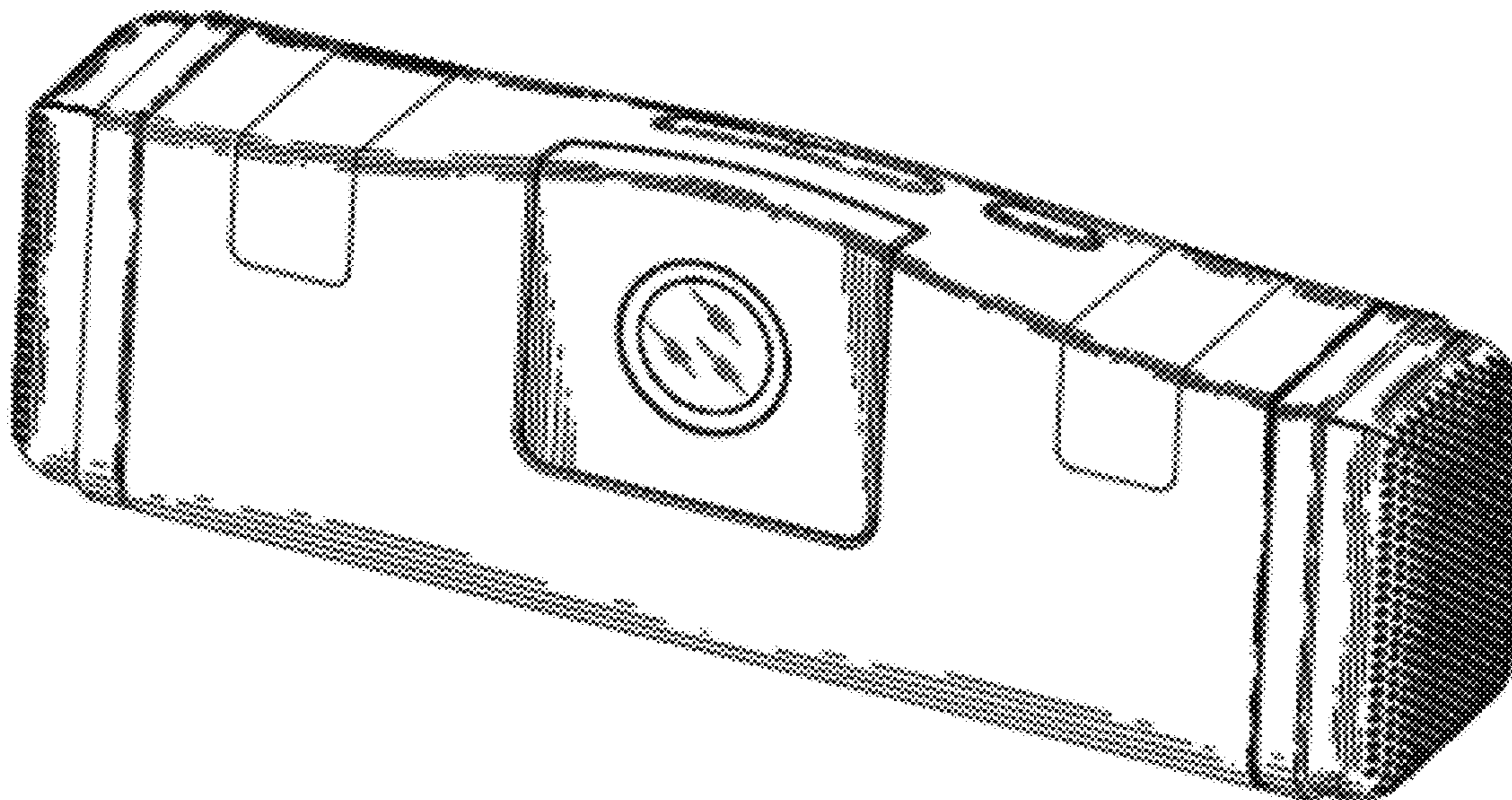
(57) **CLAIM**

The ornamental design for a portable media speaker with a webcam, as shown and described.

DESCRIPTION

FIG. 1 is a perspective view of a portable media speaker with a webcam showing my new design;
FIG. 2 is a front elevational view thereof;
FIG. 3 is a rear elevational view thereof;
FIG. 4 is a left side elevational view thereof;
FIG. 5 is a right side elevational view thereof;
FIG. 6 is a top plan view thereof;
FIG. 7 is a bottom plan view thereof;
FIG. 8 is another perspective view of the portable media speaker with a webcam showing my new design; and,
FIG. 9 is a perspective view showing the portable media speaker with a webcam in an opening state.

1 Claim, 9 Drawing Sheets



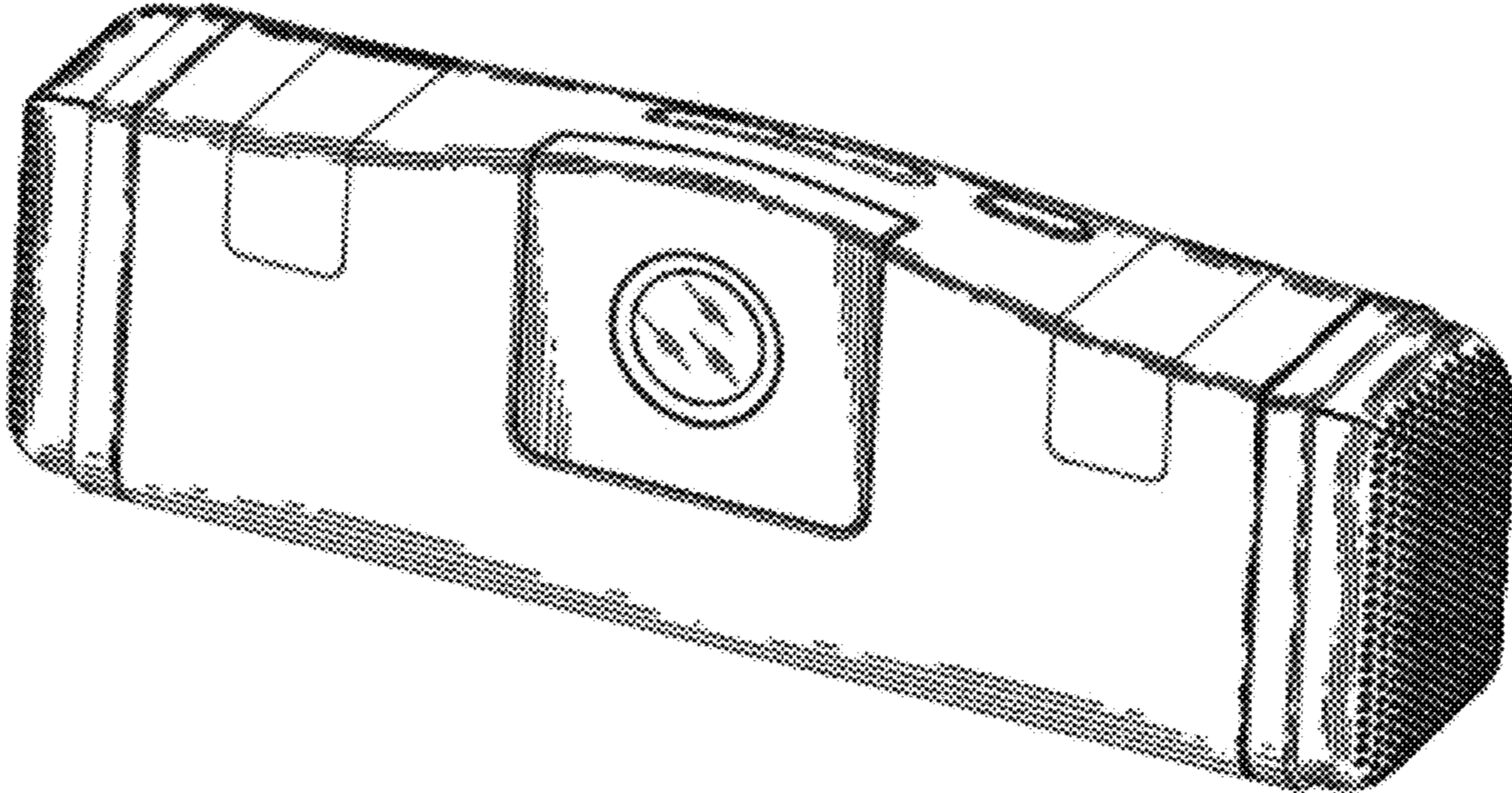


FIG. 1

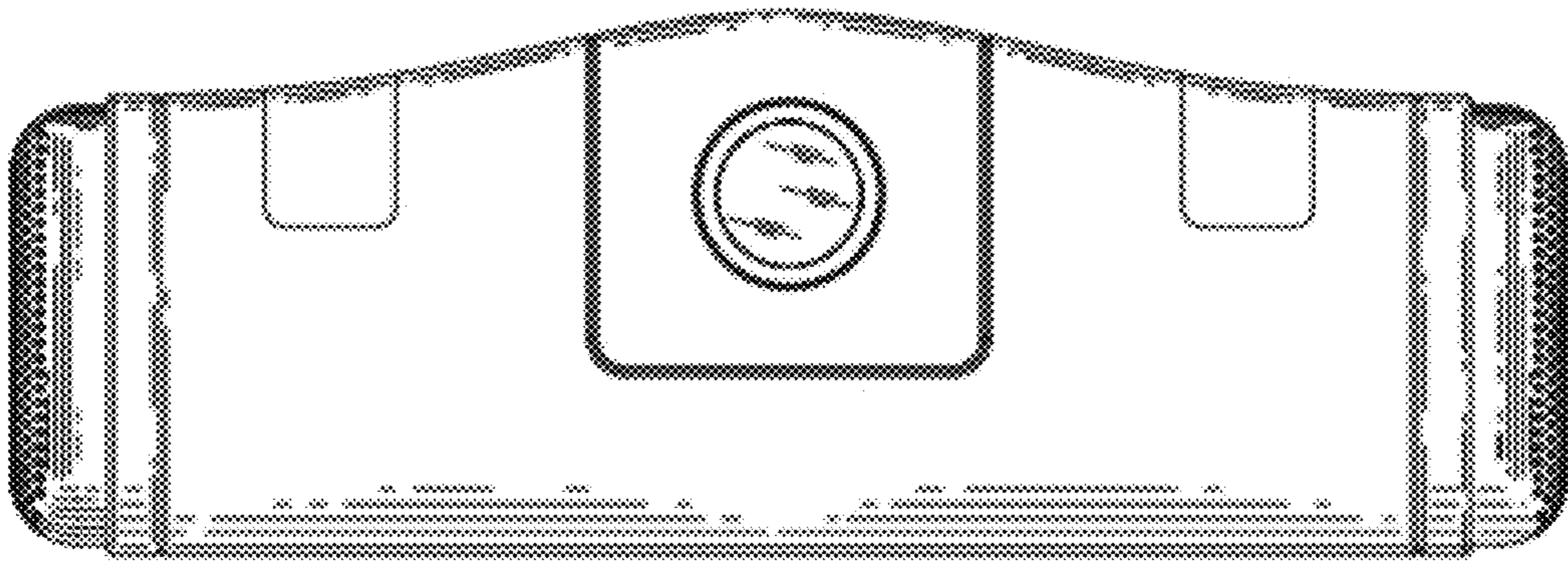


FIG. 2

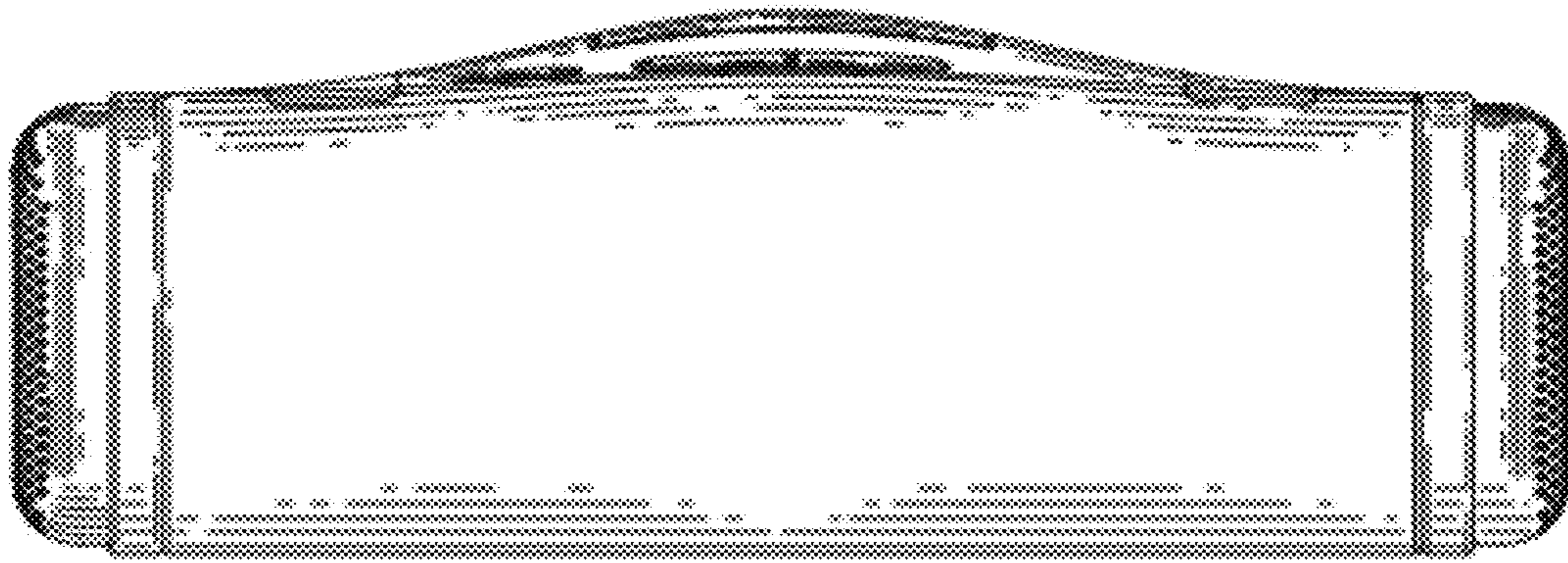


FIG. 3

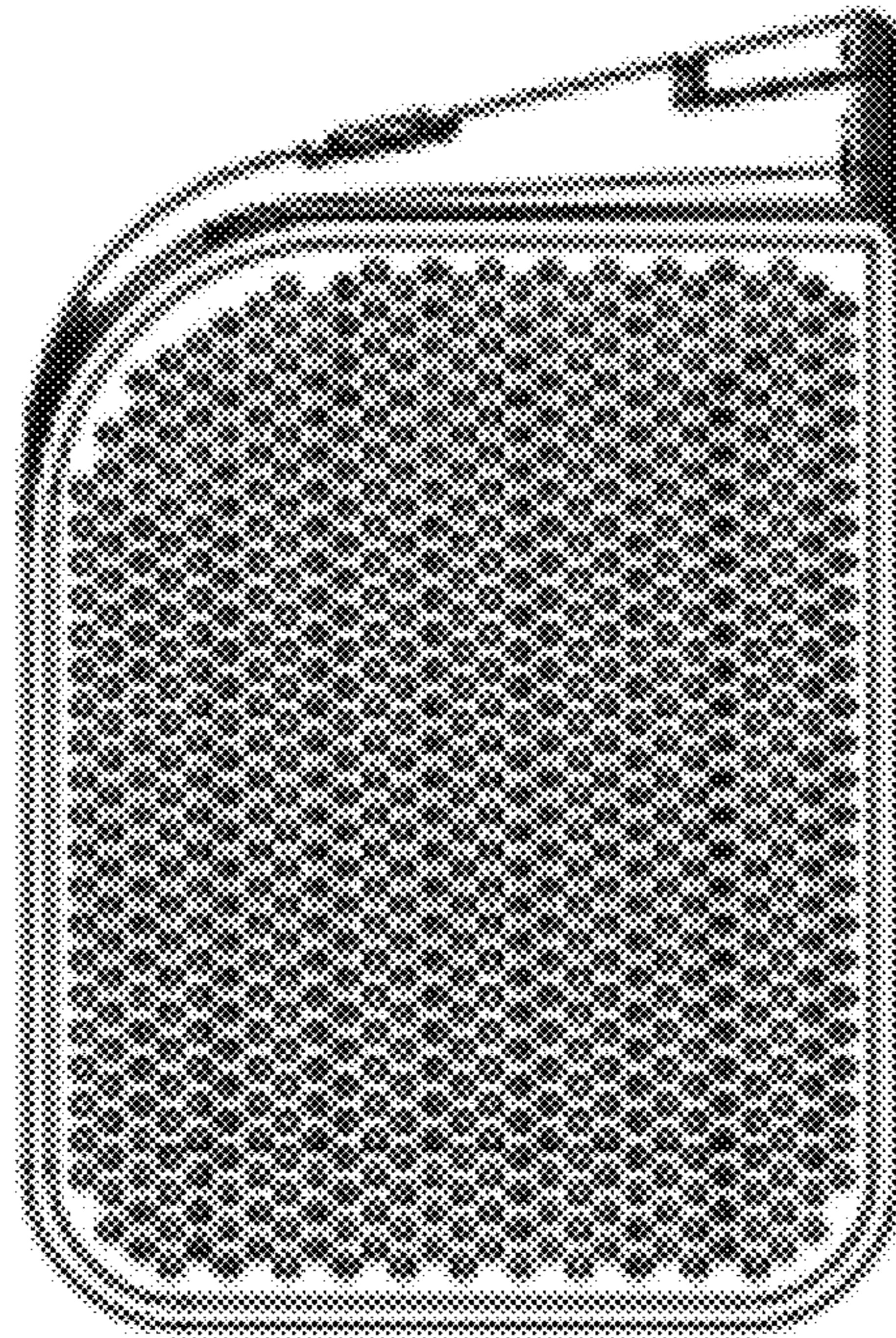


FIG. 4

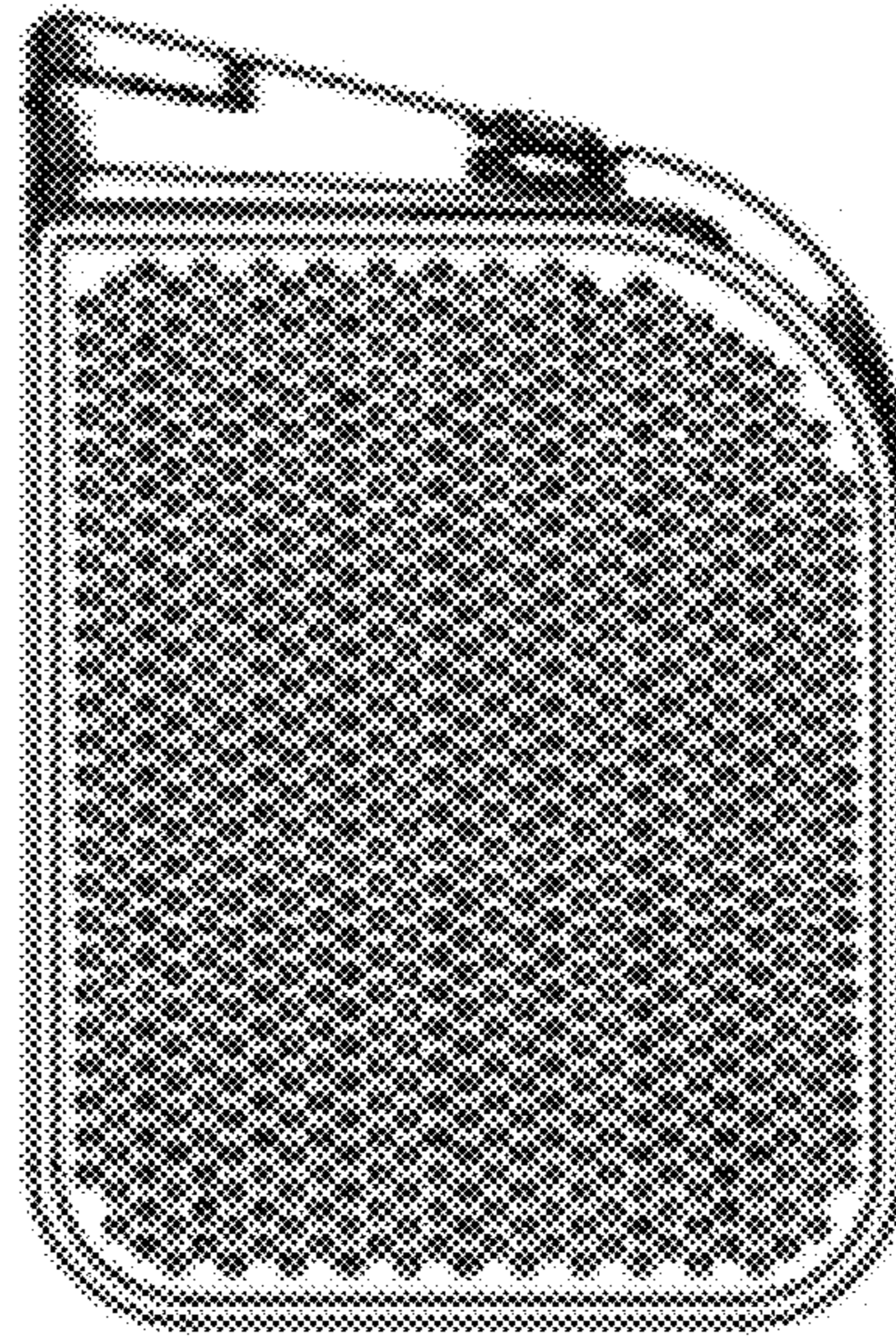


FIG. 5

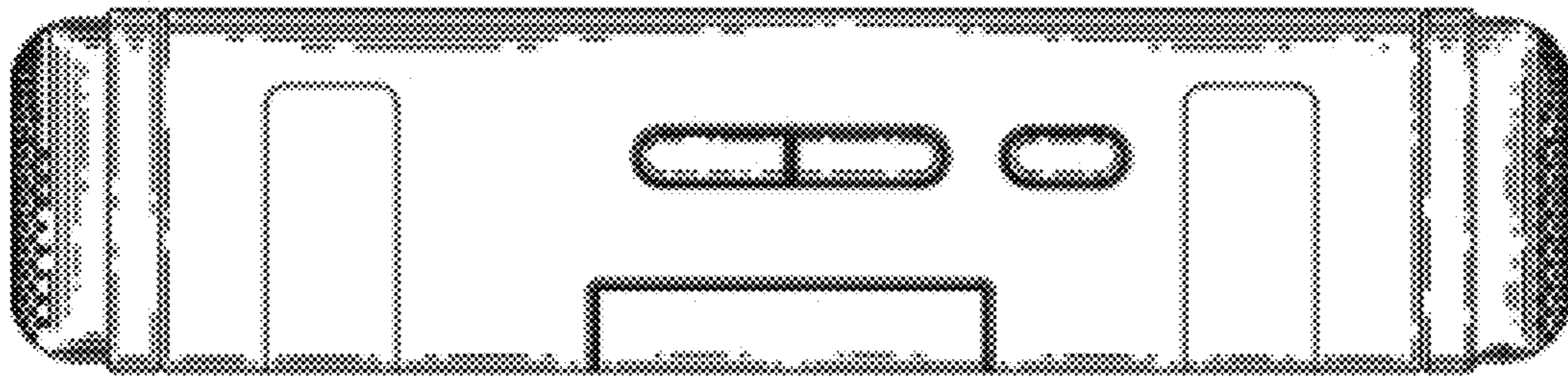


FIG. 6

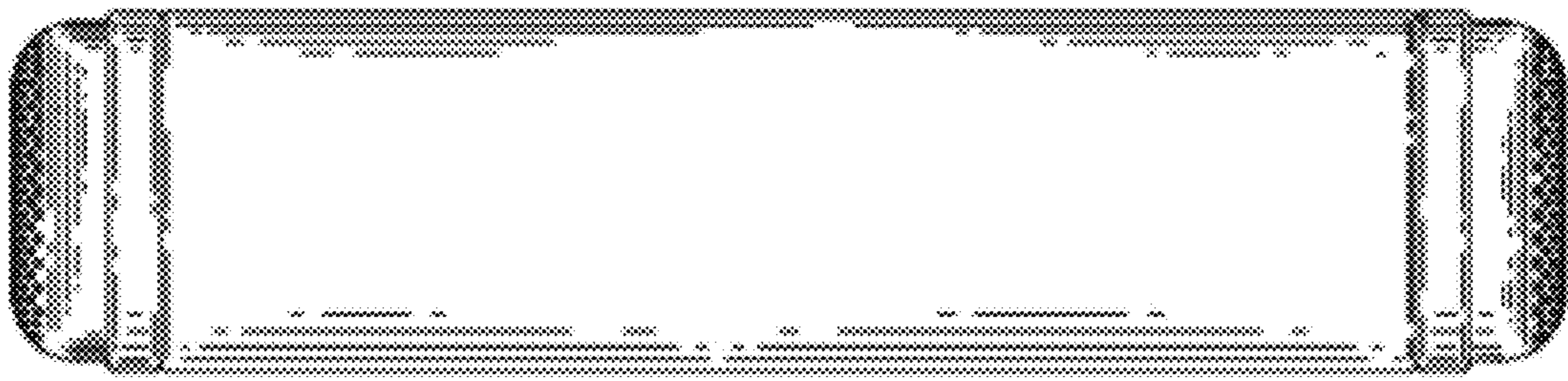


FIG. 7

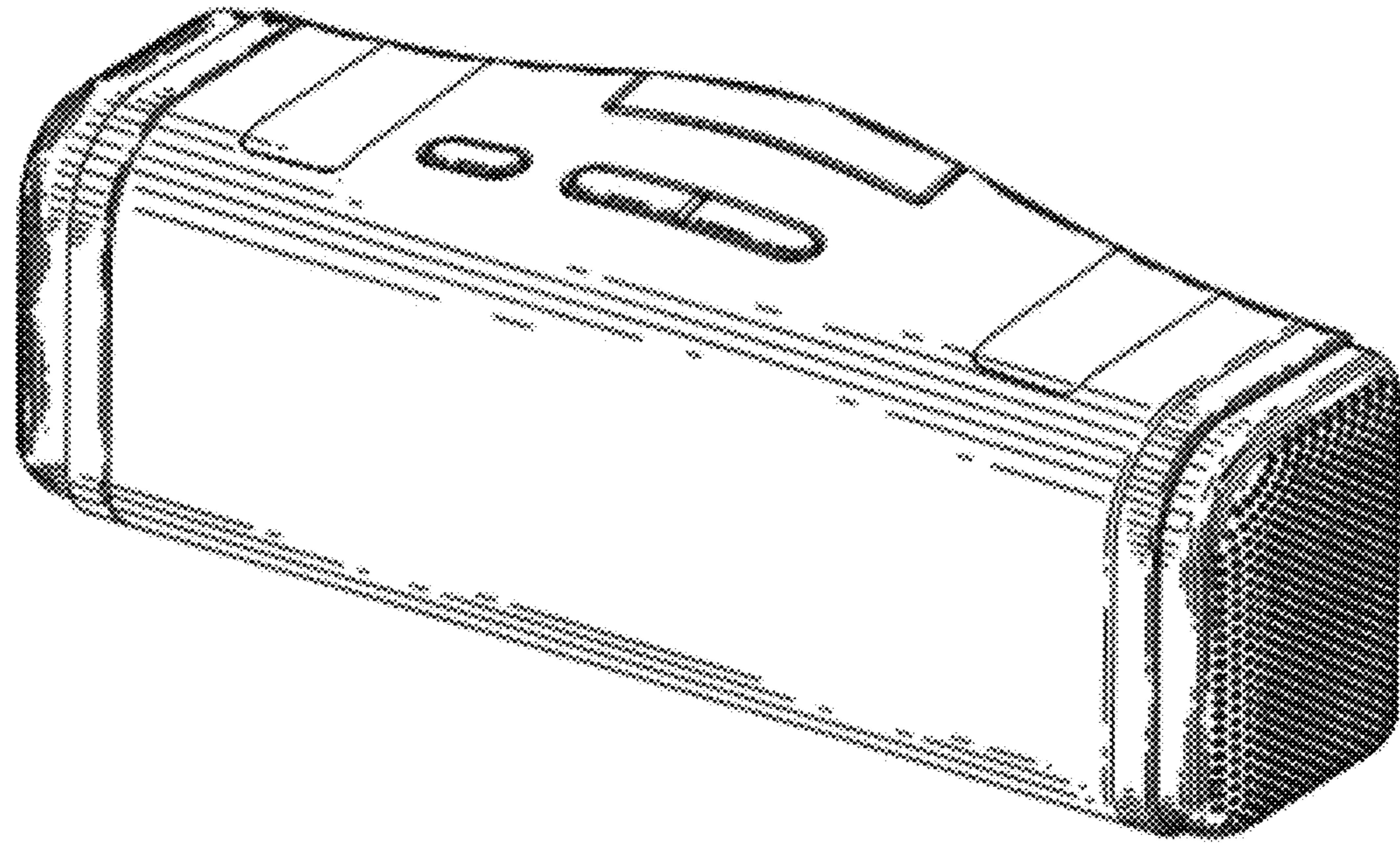


FIG. 8

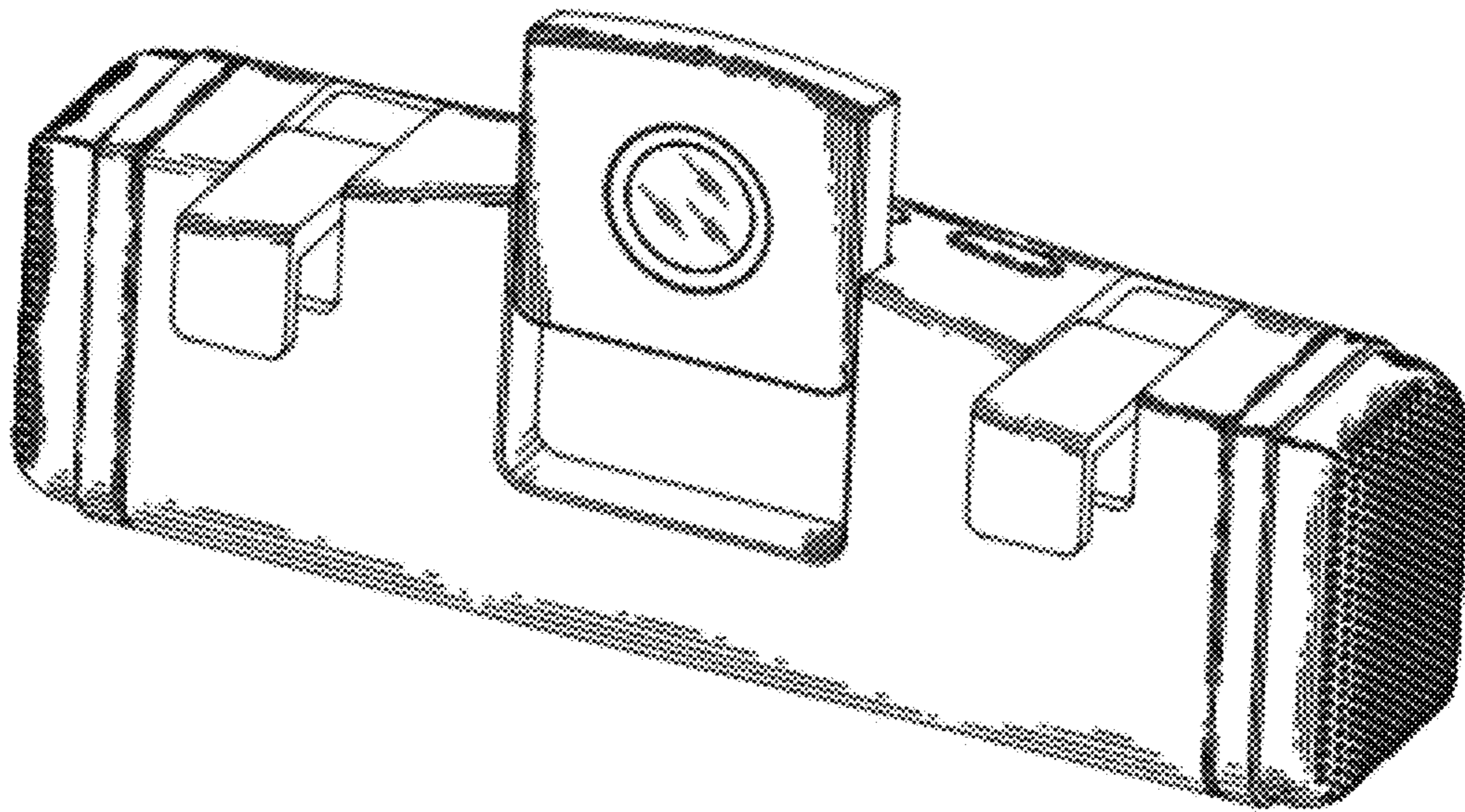


FIG. 9