



US00D670255S

(12) **United States Design Patent**
Clark et al.

(10) **Patent No.:** **US D670,255 S**
(45) **Date of Patent:** **** Nov. 6, 2012**

(54) **REMOTE CONTROL FOB**

(75) Inventors: **Stuart Clark**, Blackburn (AU); **Harris Lambrou**, Blackburn (AU); **Troy Nyssen**, Richmond (AU); **Lisa Edlund-Tjernberg**, Richmond (AU); **Fred Blochlinger**, Richmond (AU)

(73) Assignee: **Gainsborough Hardward Industries Limited**, Blackburn, Victoria (AU)

(**) Term: **14 Years**

(21) Appl. No.: **29/405,675**

(22) Filed: **Nov. 4, 2011**

(30) **Foreign Application Priority Data**

May 6, 2011 (AU) 12018/2011

(51) **LOC (9) Cl.** **14-03**

(52) **U.S. Cl.** **D13/168**

(58) **Field of Classification Search** D13/168;
D10/104.1, 106.1; D3/207, 208; D8/347;
341/176; 340/4.3, 4.42, 5.64, 12.22, 12.23,
340/12.24, 12.29, 12.3, 13.2, 13.21, 13.24,
340/15, 46, 49, 80; 700/17, 65, 83; 701/2
See application file for complete search history.

(56) **References Cited**

U.S. PATENT DOCUMENTS

D400,115 S * 10/1998 Yaron et al. D10/104.1
6,243,022 B1 * 6/2001 Furukawa 340/13.31

D514,527 S * 2/2006 DiPasquale D13/168
D528,511 S * 9/2006 Li D13/168
D528,512 S * 9/2006 Li D13/168
D561,703 S * 2/2008 Shimokawa et al. D13/168
D583,772 S * 12/2008 To D13/168
D583,773 S * 12/2008 To D13/168
D583,774 S * 12/2008 To D13/168
8,029,409 B2 * 10/2011 Vermeersch et al. 477/96
2008/0086242 A1 * 4/2008 Bennett et al. 701/2
2009/0128288 A1 * 5/2009 Fujimoto et al. 340/5.64
2010/0102927 A1 * 4/2010 Monig 340/5.64

* cited by examiner

Primary Examiner — Selina Sikder

(74) *Attorney, Agent, or Firm* — Patterson & Sheridan, L.L.P.

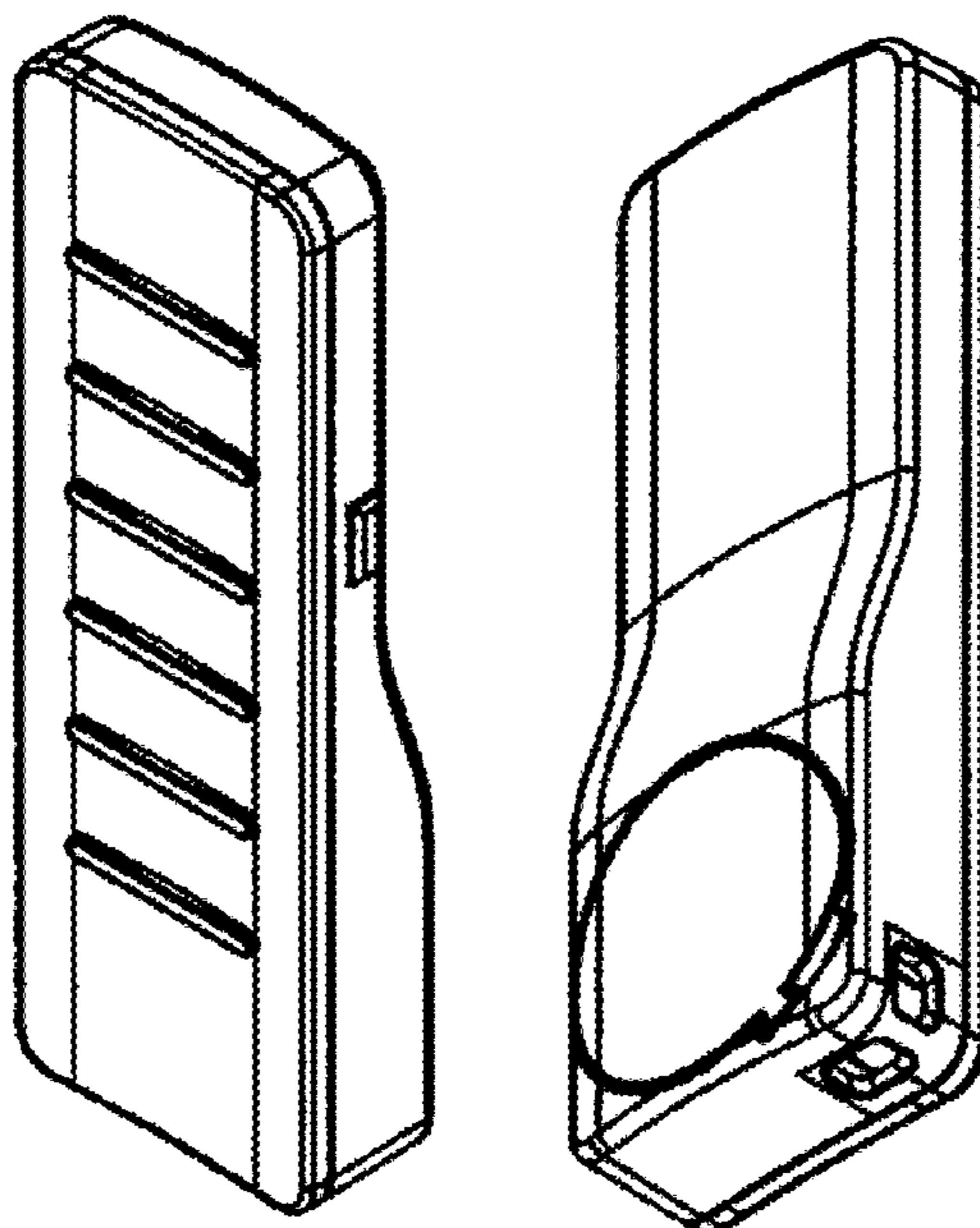
(57) **CLAIM**

The ornamental design for a remote control fob, as shown and described.

DESCRIPTION

FIG. 1 is a front perspective view of a remote control fob showing our new design;
FIG. 2 is a rear perspective view thereof;
FIG. 3 is a front elevational view thereof;
FIG. 4 is a left side elevational view thereof;
FIG. 5 is a rear elevational view thereof;
FIG. 6 is a right side elevational view thereof;
FIG. 7 is a bottom plan view thereof; and,
FIG. 8 is a top plan view thereof.

1 Claim, 1 Drawing Sheet



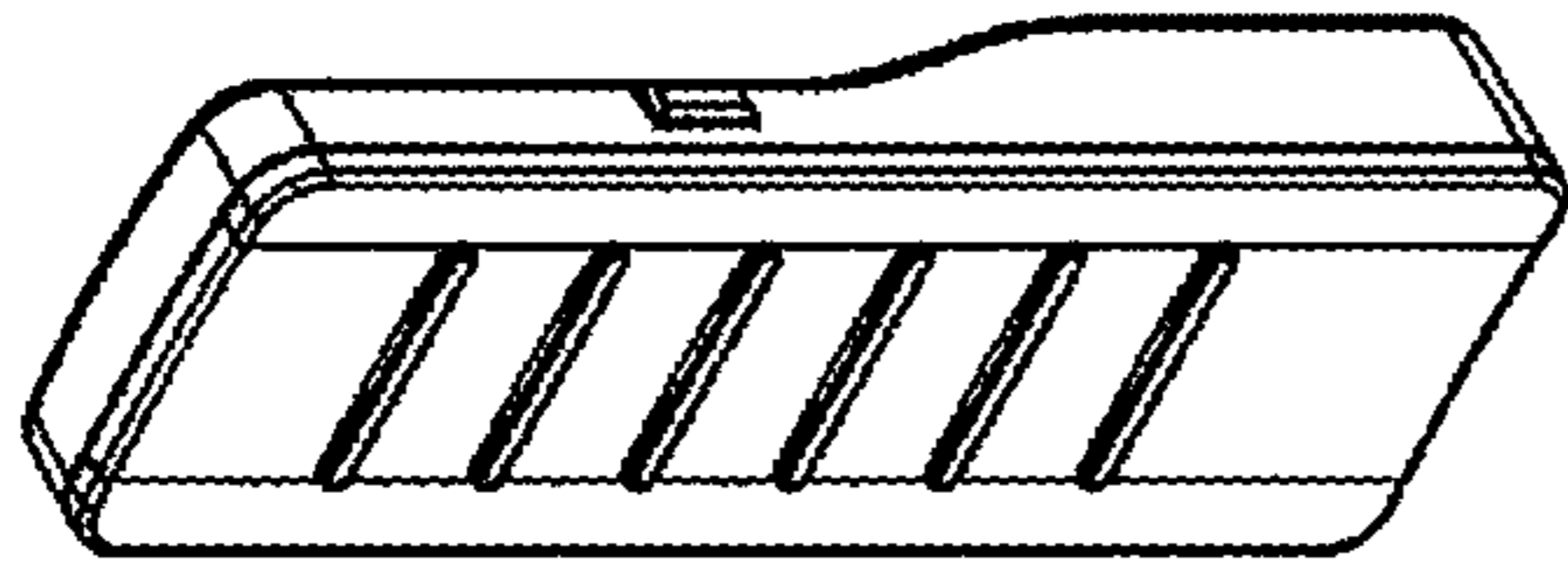


FIG. 1

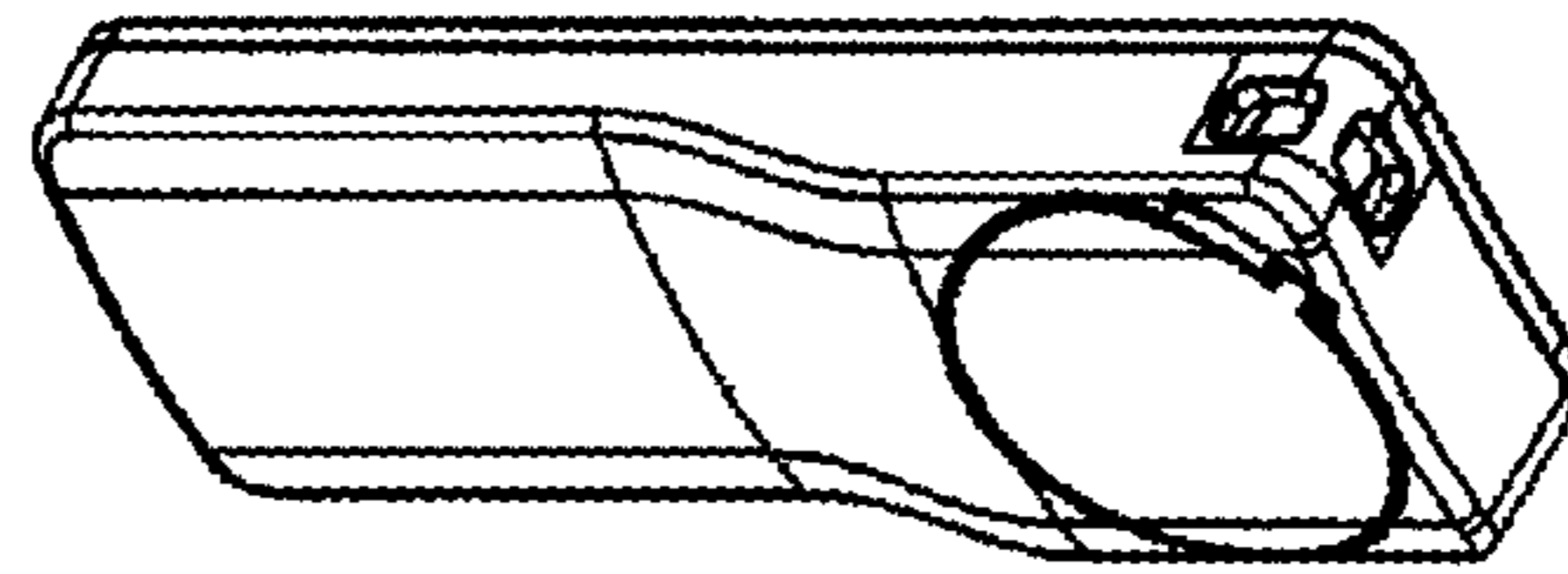


FIG. 2

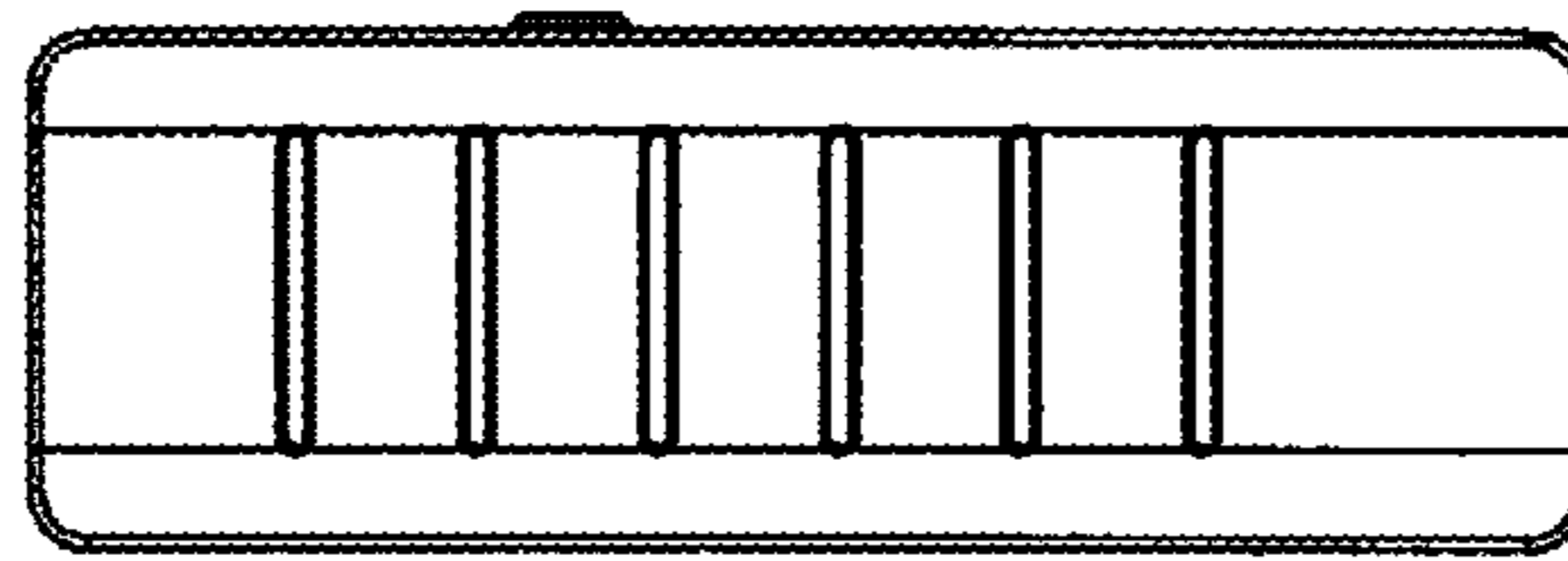


FIG. 3



FIG. 4



FIG. 8

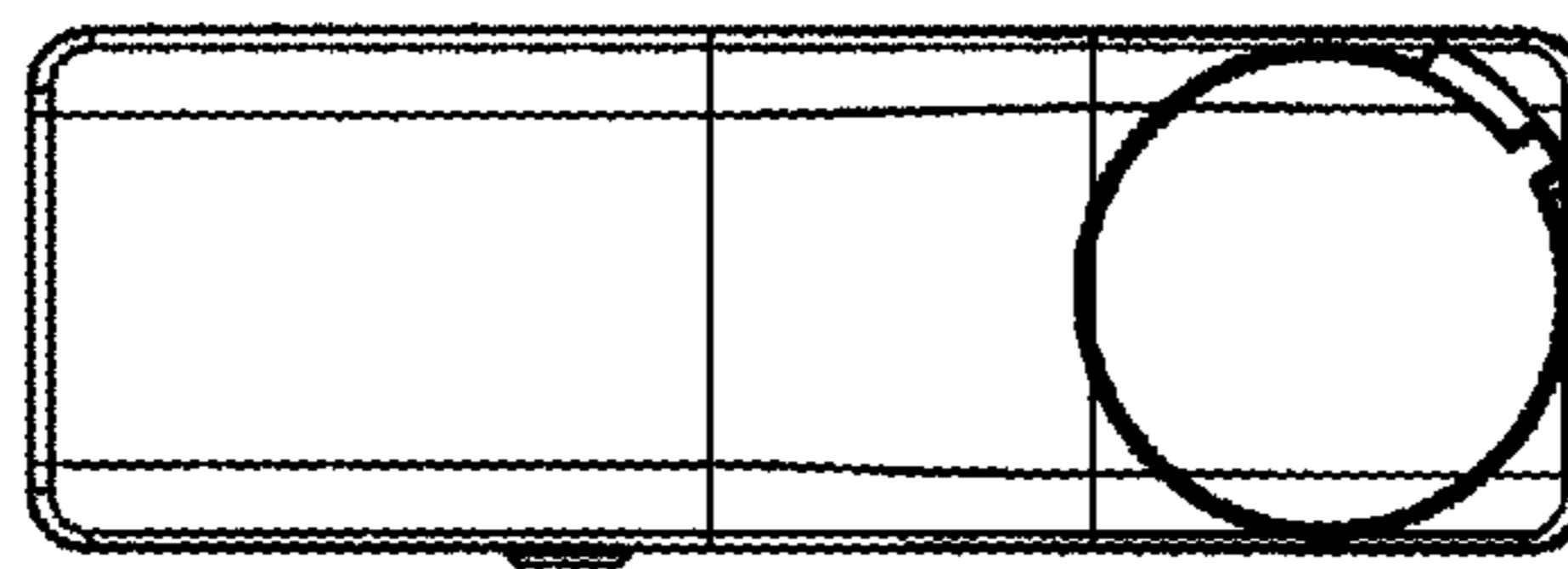


FIG. 5



FIG. 7



FIG. 6