



US00D670254S

(12) **United States Design Patent**  
**Wu**

(10) **Patent No.:** **US D670,254 S**  
(45) **Date of Patent:** **\*\* Nov. 6, 2012**

(54) **RELAY**

(75) Inventor: **Sung Jen Wu**, New Taipei (TW)

(73) Assignee: **Song Chuan Precision Co., Ltd.**, New Taipei (TW)

(\*\*) Term: **14 Years**

(21) Appl. No.: **29/384,202**

(22) Filed: **Jan. 28, 2011**

(51) **LOC (9) Cl.** ..... **13-03**

(52) **U.S. Cl.** ..... **D13/159**

(58) **Field of Classification Search** ..... D13/158,  
D13/159, 160, 162, 184, 199; 200/43.14,  
200/50.01, 50.21-50.23; 361/42, 44, 50,  
361/71, 115, 608, 634; 335/78-129

See application file for complete search history.

(56) **References Cited**

**U.S. PATENT DOCUMENTS**

D323,487 S *	1/1992	Dubicki	.....	D13/160
6,320,486 B1 *	11/2001	Dietrich et al.	.....	335/78
6,924,719 B2 *	8/2005	Saruwatari et al.	.....	335/78
D660,254 S *	5/2012	Cui	.....	D13/159
2002/0036557 A1 *	3/2002	Nakamura et al.	.....	335/128

2003/0034863 A1 *	2/2003	Ono et al.	.....	335/128
2003/0067372 A1 *	4/2003	Funayama et al.	.....	335/128
2004/0113729 A1 *	6/2004	Sanada et al.	.....	335/129
2005/0007221 A1 *	1/2005	Saruwatari et al.	.....	335/128
2007/0084633 A1 *	4/2007	Lee et al.	.....	174/564
2011/0121926 A1 *	5/2011	Kojima et al.	.....	335/106

\* cited by examiner

*Primary Examiner* — Thomas Johannes

(57) **CLAIM**

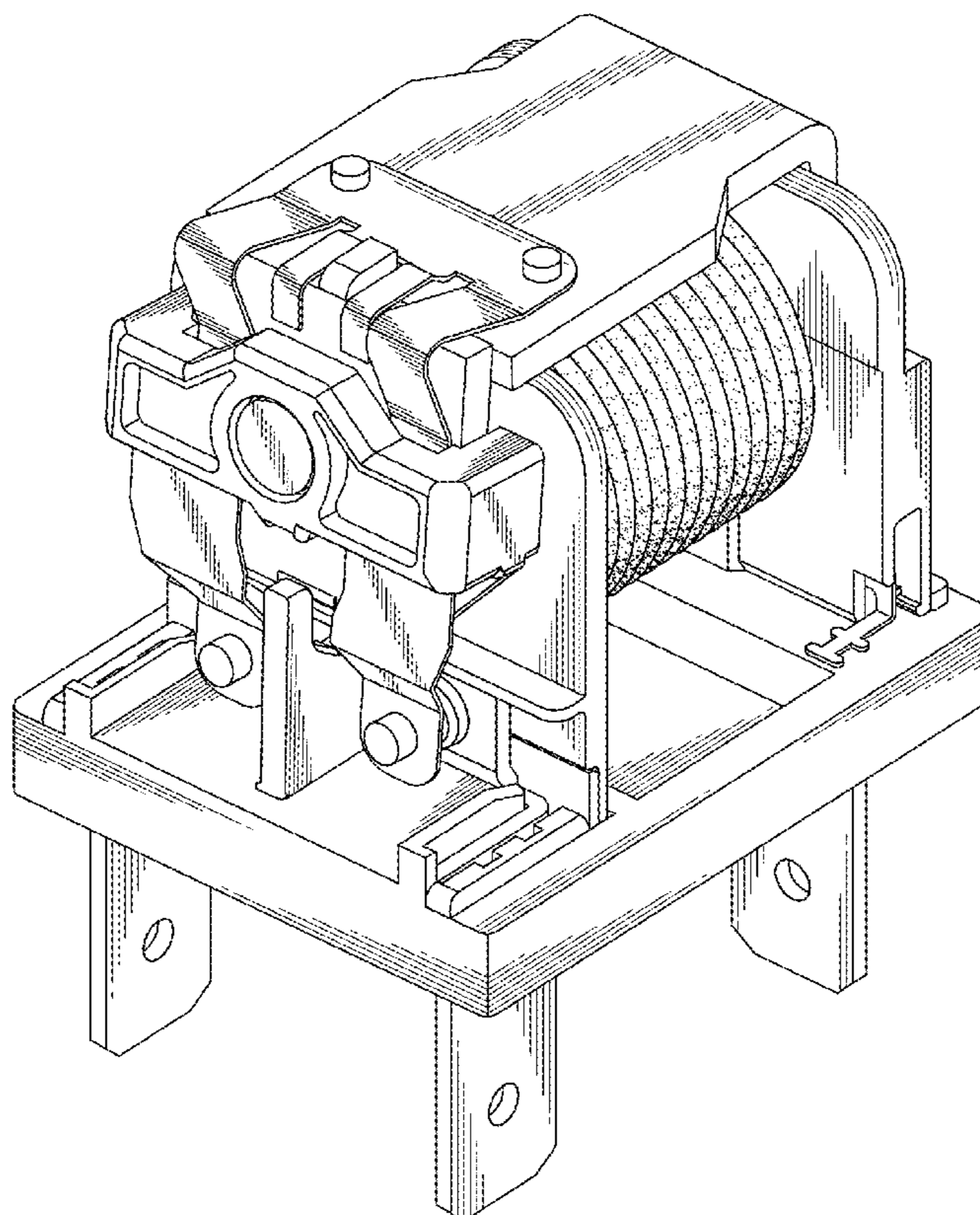
The ornamental design for a relay, as shown and described.

**DESCRIPTION**

FIG. 1 is a perspective view of a relay showing my new design; FIG. 2 is a front elevational view thereof; FIG. 3 is a rear elevational view thereof; FIG. 4 is a left side view thereof; FIG. 5 is a right side view thereof; FIG. 6 is a top plan view thereof; FIG. 7 is a bottom plan view thereof; and, FIG. 8 is a perspective view thereof.

The broken line portion of the figure drawings is included to show unclaimed subject matter only and forms no part of the claimed design.

**1 Claim, 8 Drawing Sheets**



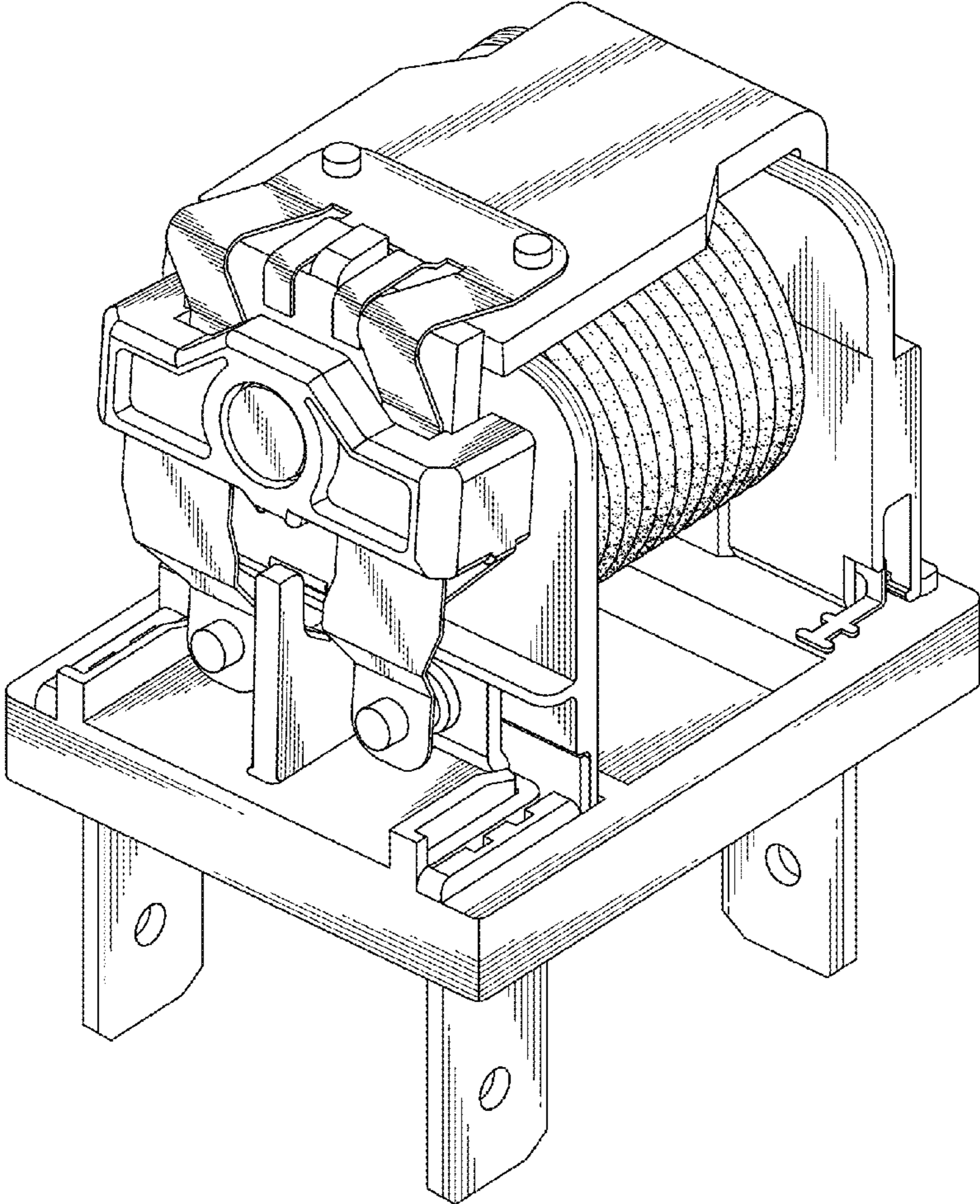


FIG. 1

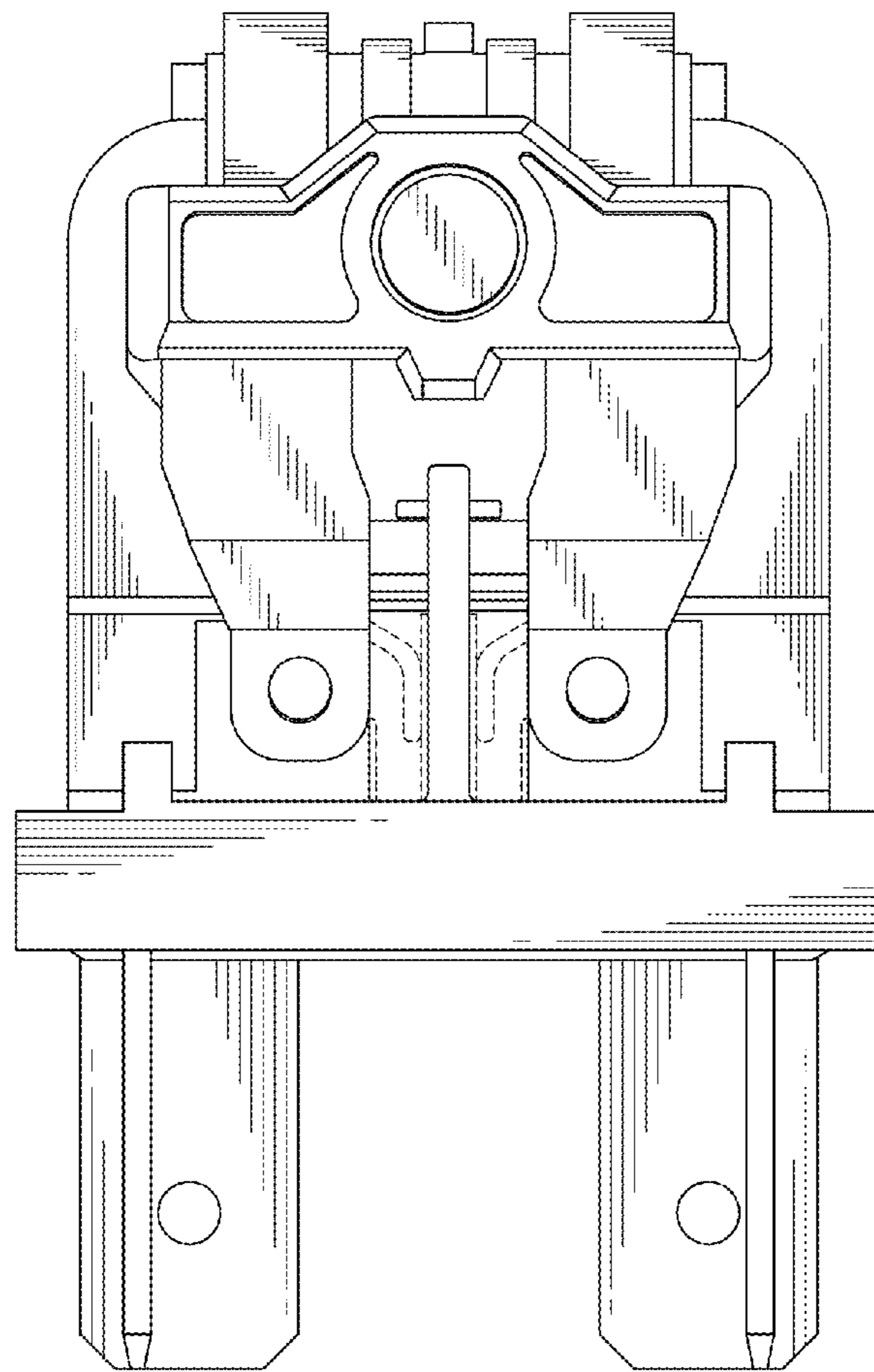


FIG. 2

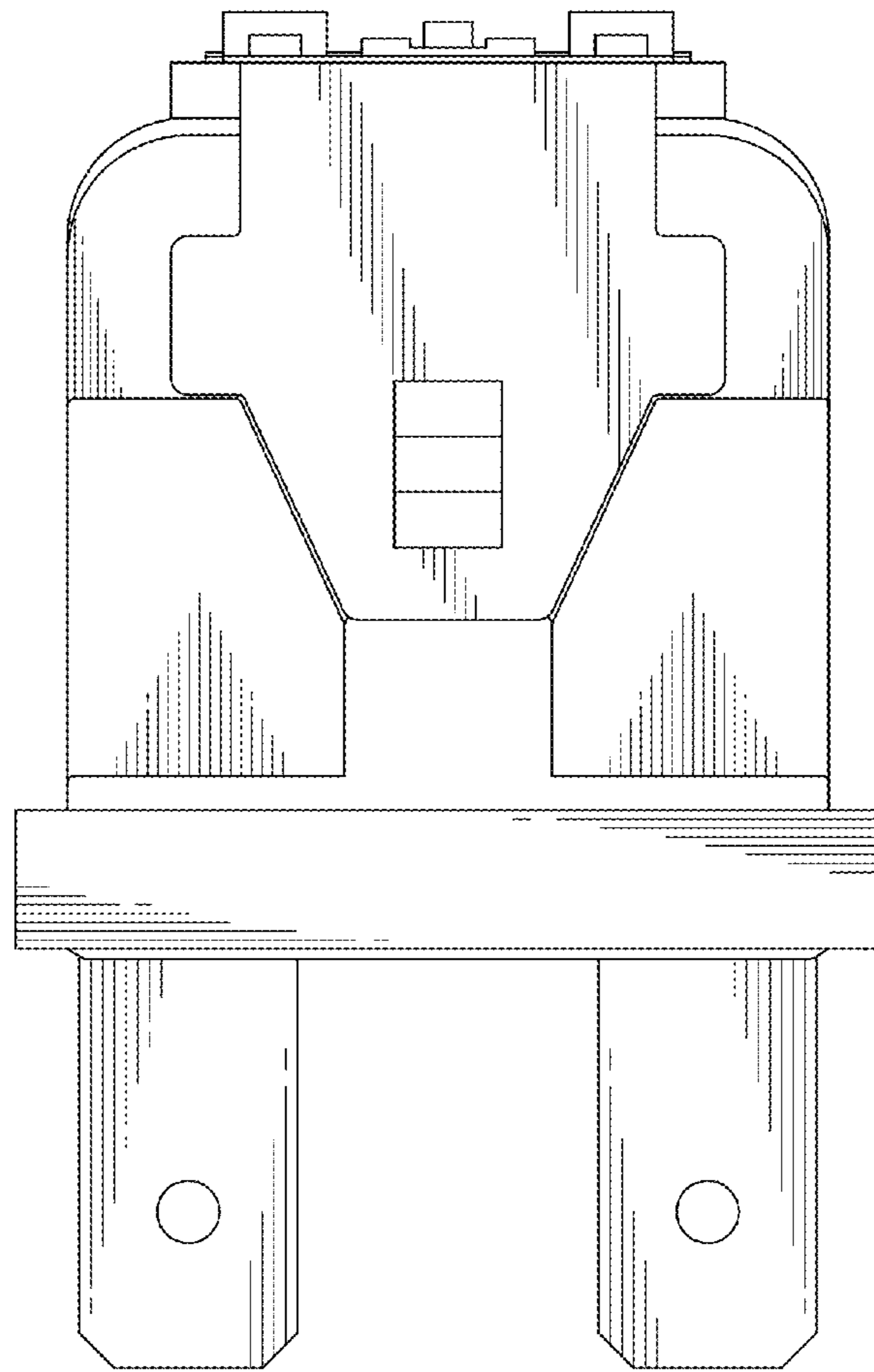


FIG. 3

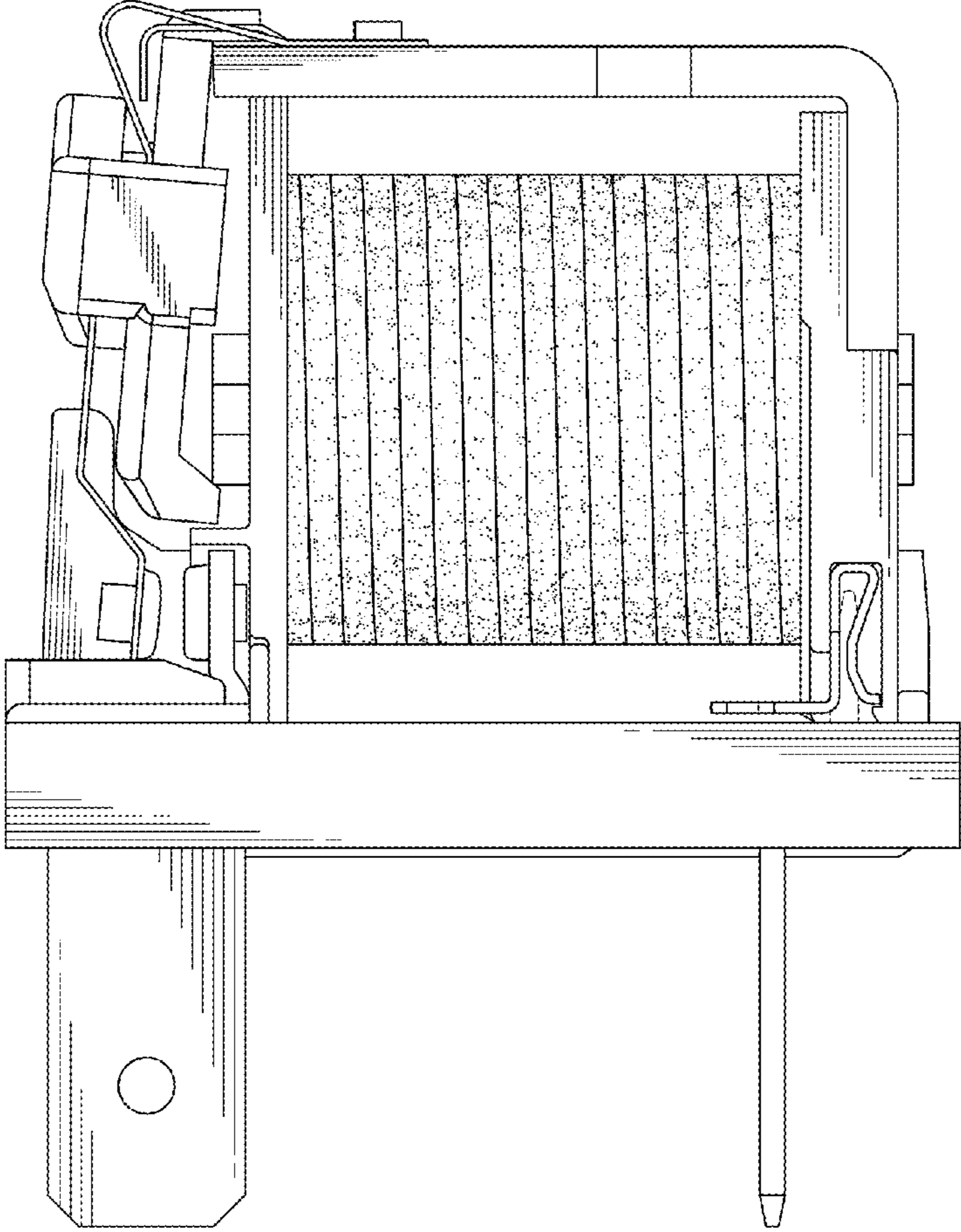


FIG. 4

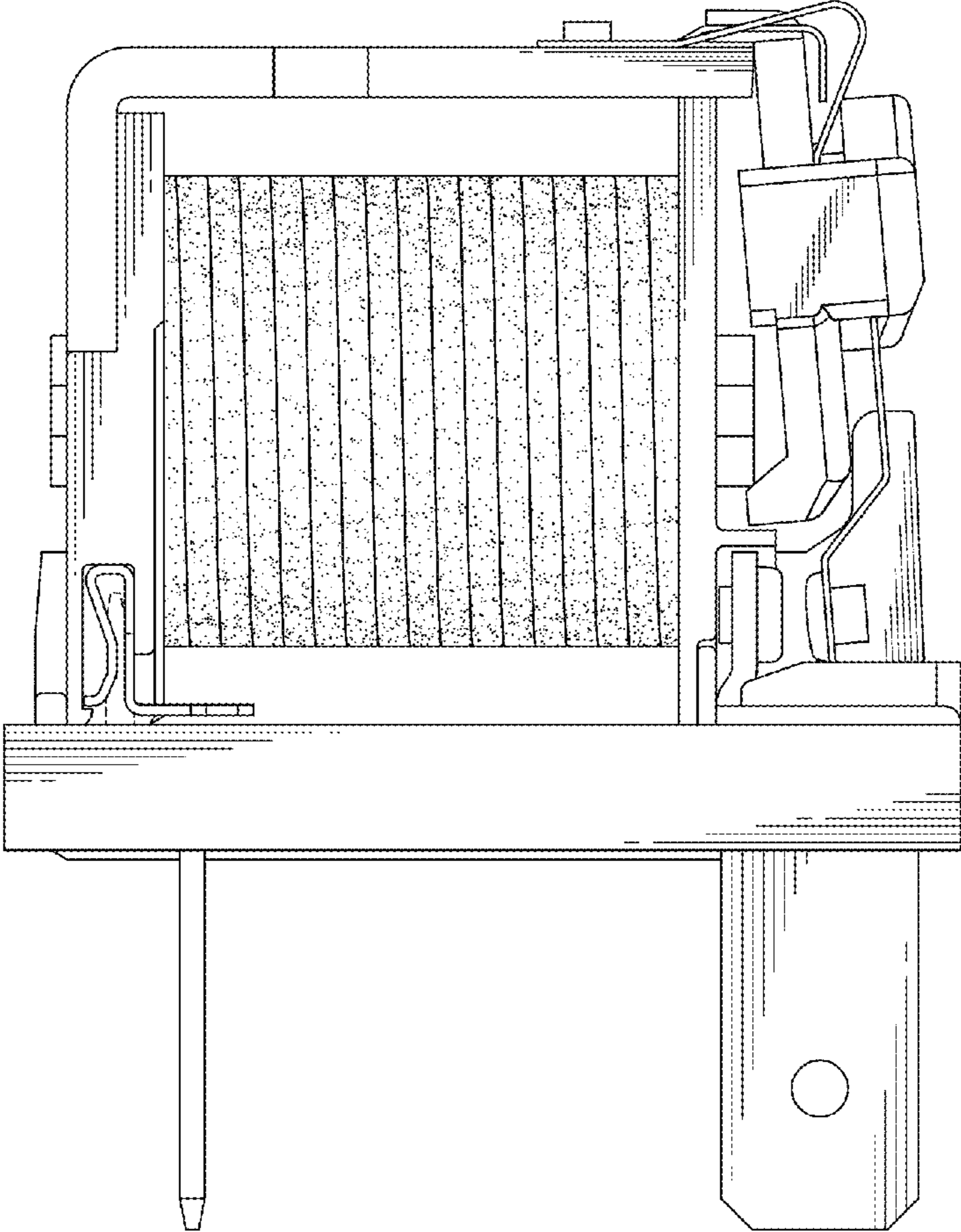


FIG. 5

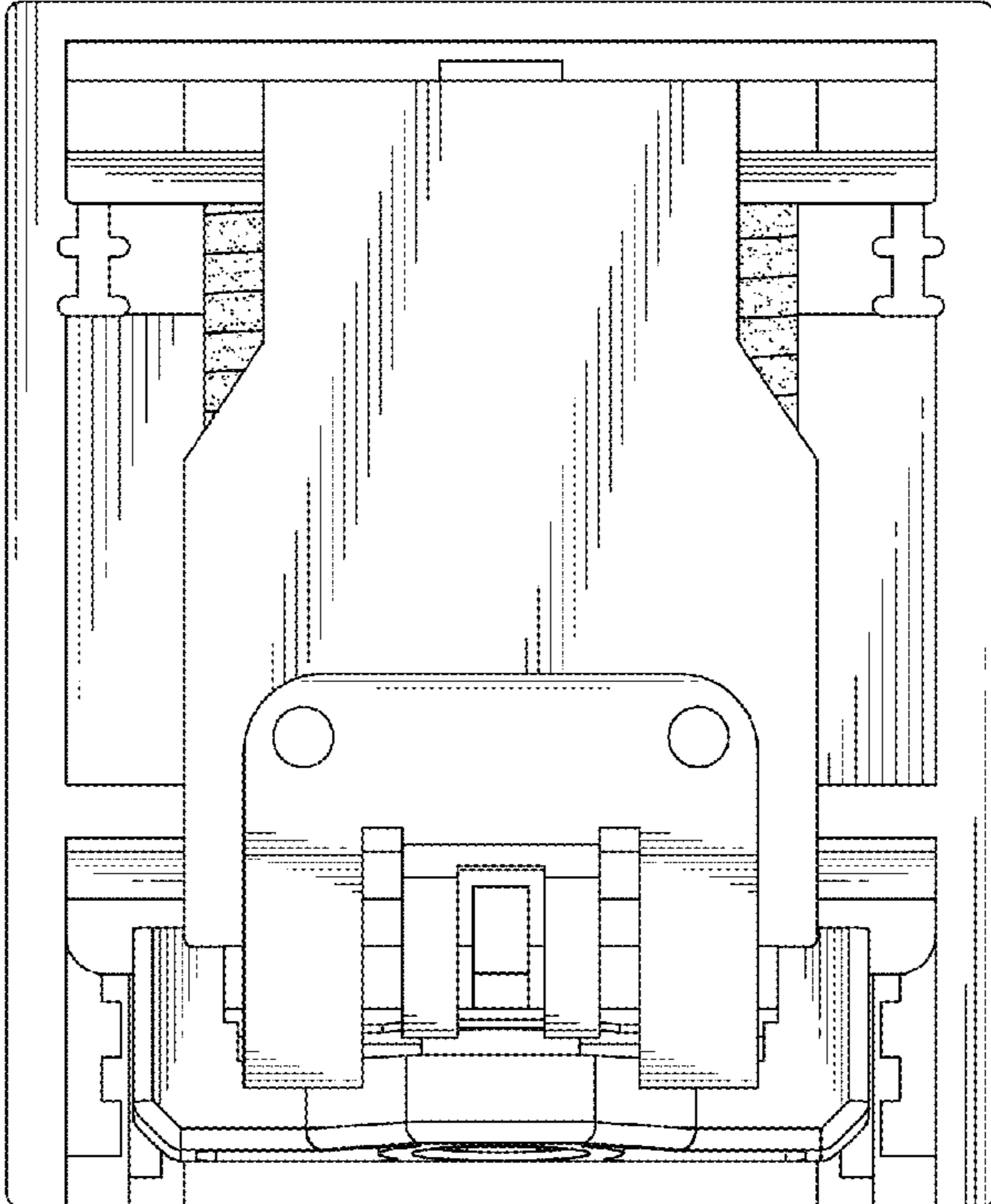


FIG. 6

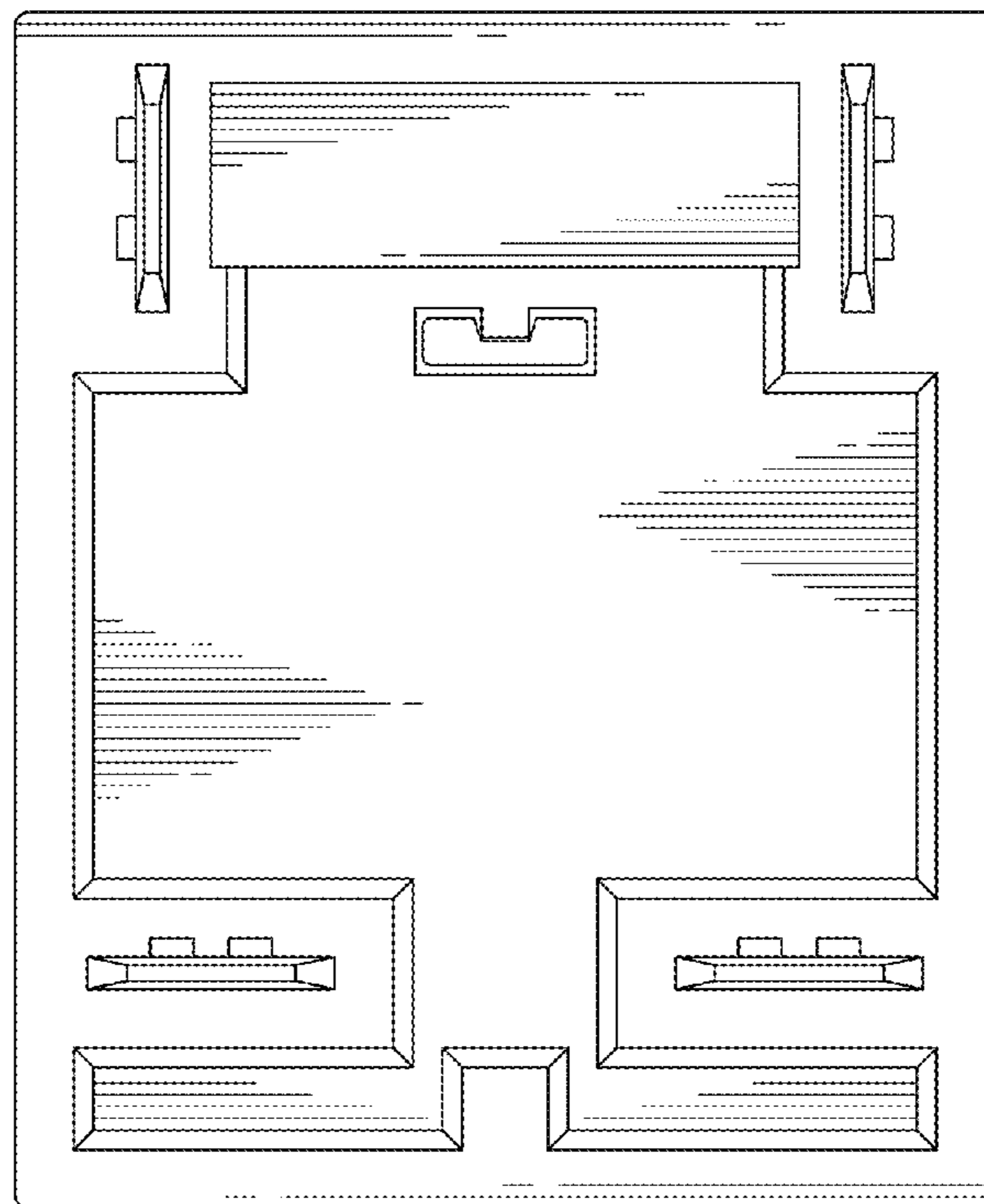


FIG. 7



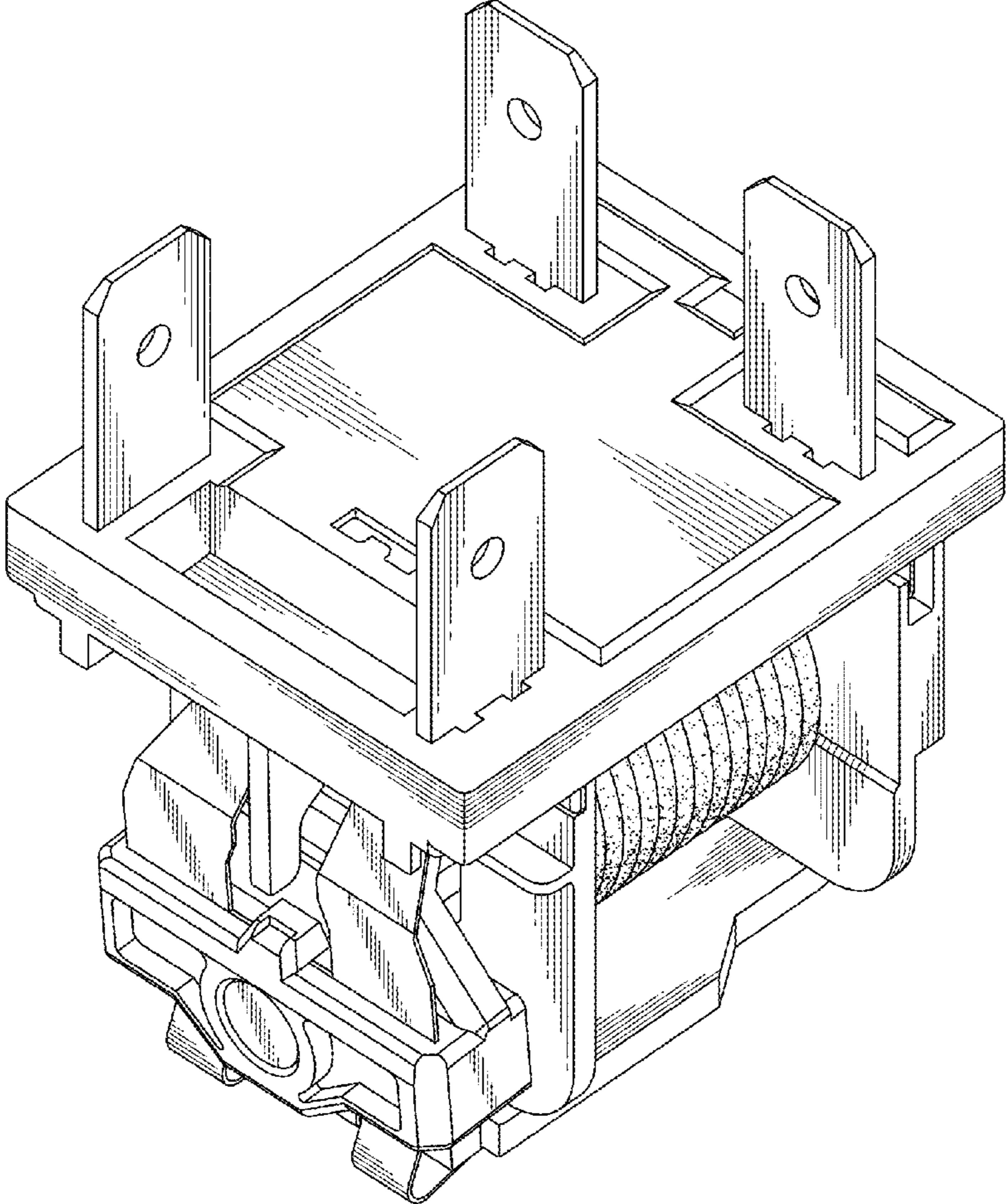


FIG. 8