



US00D670251S

(12) **United States Design Patent**  
**Nakabayashi et al.**

(10) **Patent No.:** **US D670,251 S**  
(45) **Date of Patent:** **\*\* Nov. 6, 2012**

(54) **TERMINAL BOX CONNECTOR**

(75) Inventors: **Makoto Nakabayashi**, Osaka (JP);  
**Kouichi Kamioka**, Osaka (JP); **Makio Kume**, Hamamatsu (JP); **Takayuki Suzuki**, Hamamatsu (JP)

(73) Assignees: **Sumitomo Electric Fine Polymer, Inc.**, Sennan-gun, Osaka (JP); **Hamamatsu Photonics K.K.**, Hamamatsu-shi, Shizuoka (JP)

(\*\*) Term: **14 Years**

(21) Appl. No.: **29/388,559**

(22) Filed: **Mar. 30, 2011**

(51) **LOC (9) Cl.** ..... **13-03**

(52) **U.S. Cl.** ..... **D13/147**

(58) **Field of Classification Search** ..... D13/133,  
D13/147, 154, 184, 199; D14/432, 433,  
D14/434, 435; 439/71, 72, 73, 83, 330, 331,  
439/607, 607.34, 607.35, 607.53, 660, 680,  
439/876, 946

See application file for complete search history.

(56) **References Cited**

**U.S. PATENT DOCUMENTS**

6,393,698	B1 *	5/2002	Kuriyama et al.	29/883
D524,749	S *	7/2006	Wang et al.	D13/147
7,147,481	B2 *	12/2006	Yang	439/71
D540,261	S *	4/2007	Yang	D13/147
D541,219	S *	4/2007	Yang	D13/147
D541,749	S *	5/2007	Li	D13/147
D587,210	S *	2/2009	Kishi	D13/154
D592,600	S *	5/2009	Wu	D13/147
D596,123	S *	7/2009	Yang	D13/133
2007/0173130	A1 *	7/2007	Hashiguchi	439/660

**OTHER PUBLICATIONS**

U.S. Appl. No. 29/388,557, filed Mar. 30, 2011, Makoto Nakabayashi et al.

U.S. Appl. No. 29/388,560, filed Mar. 30, 2011, Makoto Nakabayashi et al.

U.S. Appl. No. 29/388,561, filed Mar. 30, 2011, Makoto Nakabayashi et al.

Office Action from related (not counterpart) U.S. Appl. No. 29/388,557 dated Mar. 14, 2012 (8 pages).

\* cited by examiner

*Primary Examiner* — Daniel Bui

(74) *Attorney, Agent, or Firm* — Drinker Biddle & Reath LLP

(57) **CLAIM**

The ornamental design for a terminal box connector, as shown and described.

**DESCRIPTION**

FIG. 1 is a front elevation view of a terminal box connector showing our new design.

FIG. 2 is a rear elevation view thereof.

FIG. 3 is a top plan view thereof.

FIG. 4 is a bottom plan view thereof.

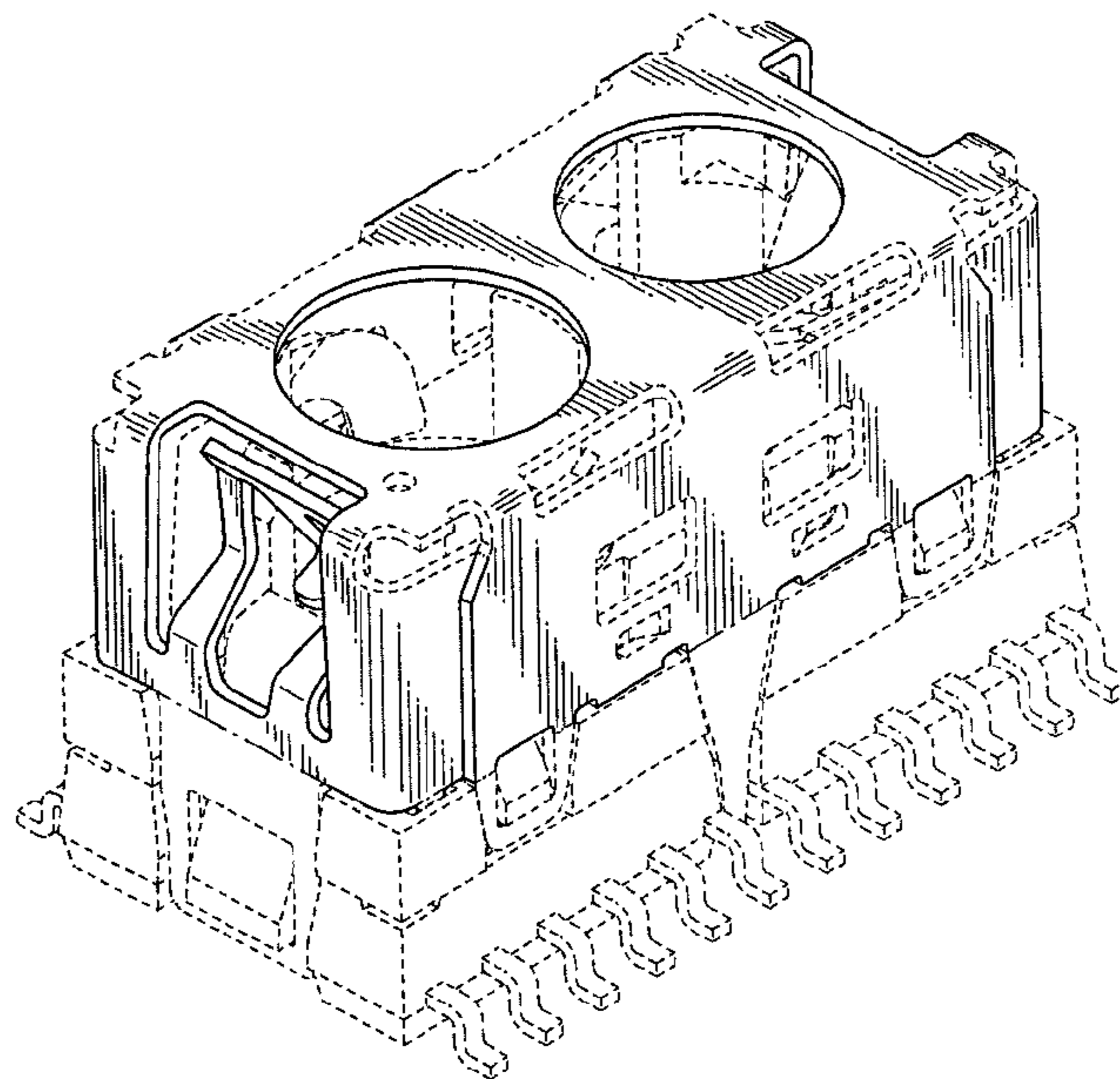
FIG. 5 is a right side elevation view thereof.

FIG. 6 is a left side elevation view thereof; and,

FIG. 7 is a top, front, and left side perspective view thereof.

In the figures, areas or surfaces that include shade or contour lines are part of the claimed design. The dash-dot line represents the boundary of the claimed design. The broken line portion of the figures is included to show unclaimed environment only and forms no part of the claimed design.

**1 Claim, 7 Drawing Sheets**



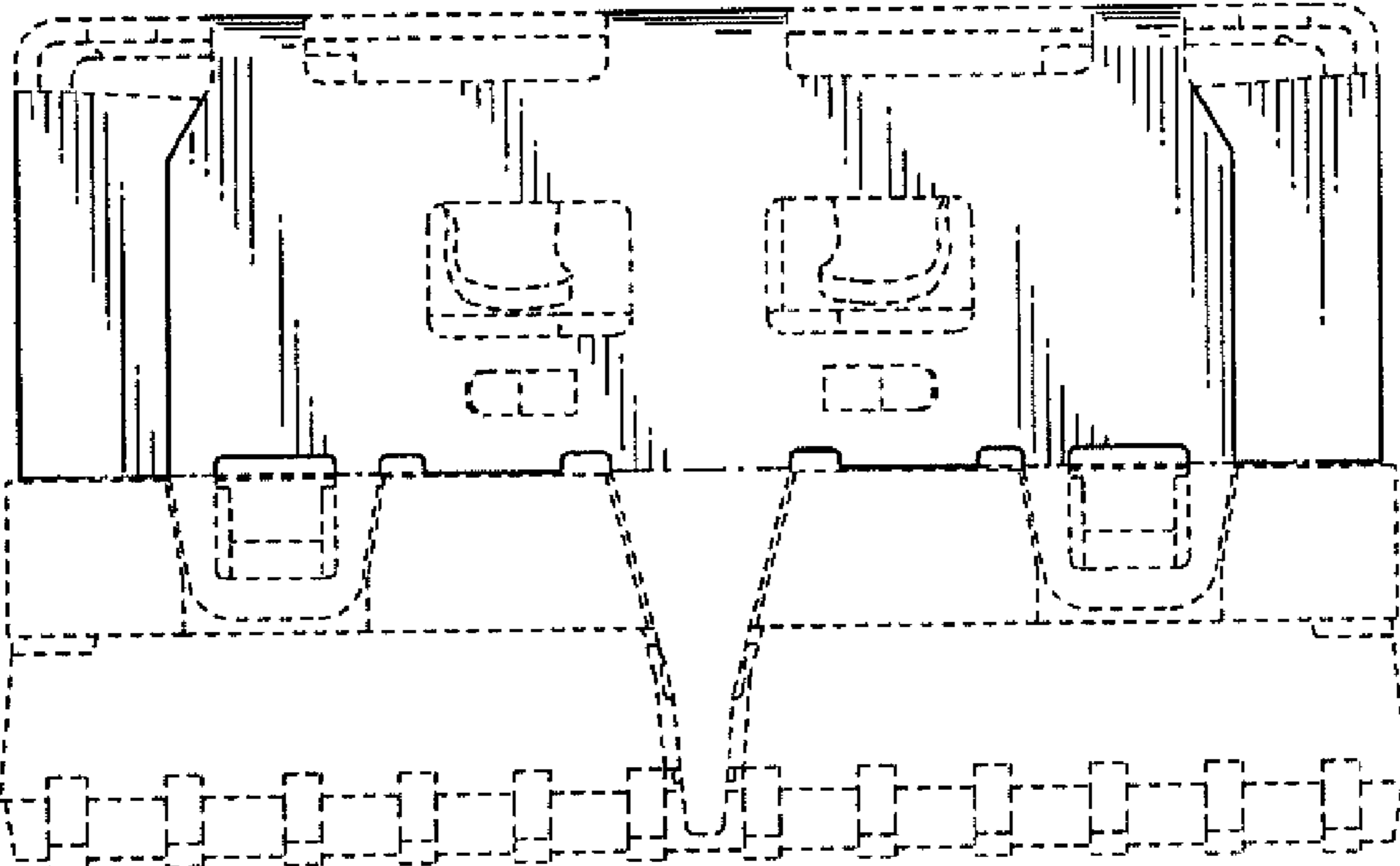


Fig. 1

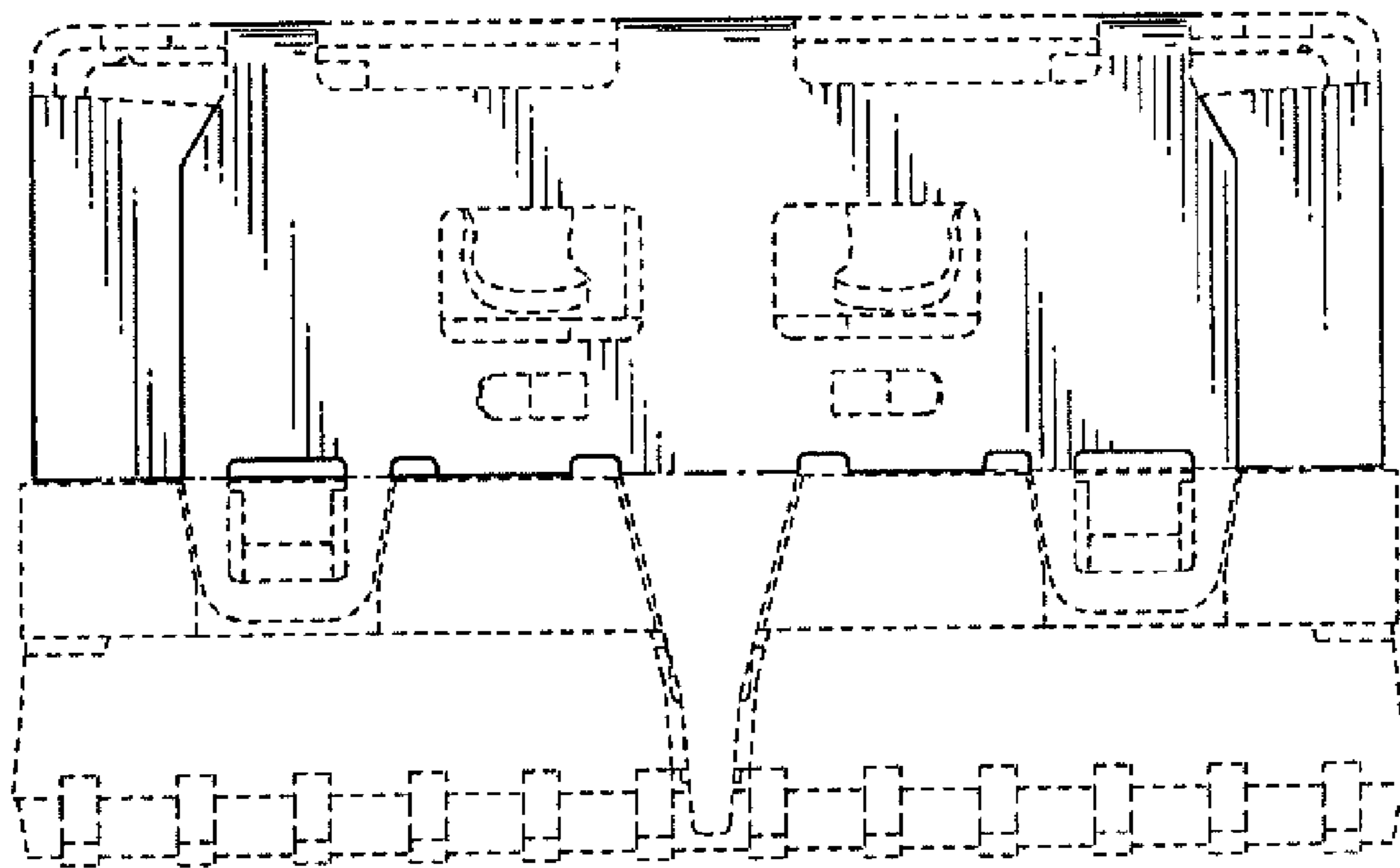


Fig. 2

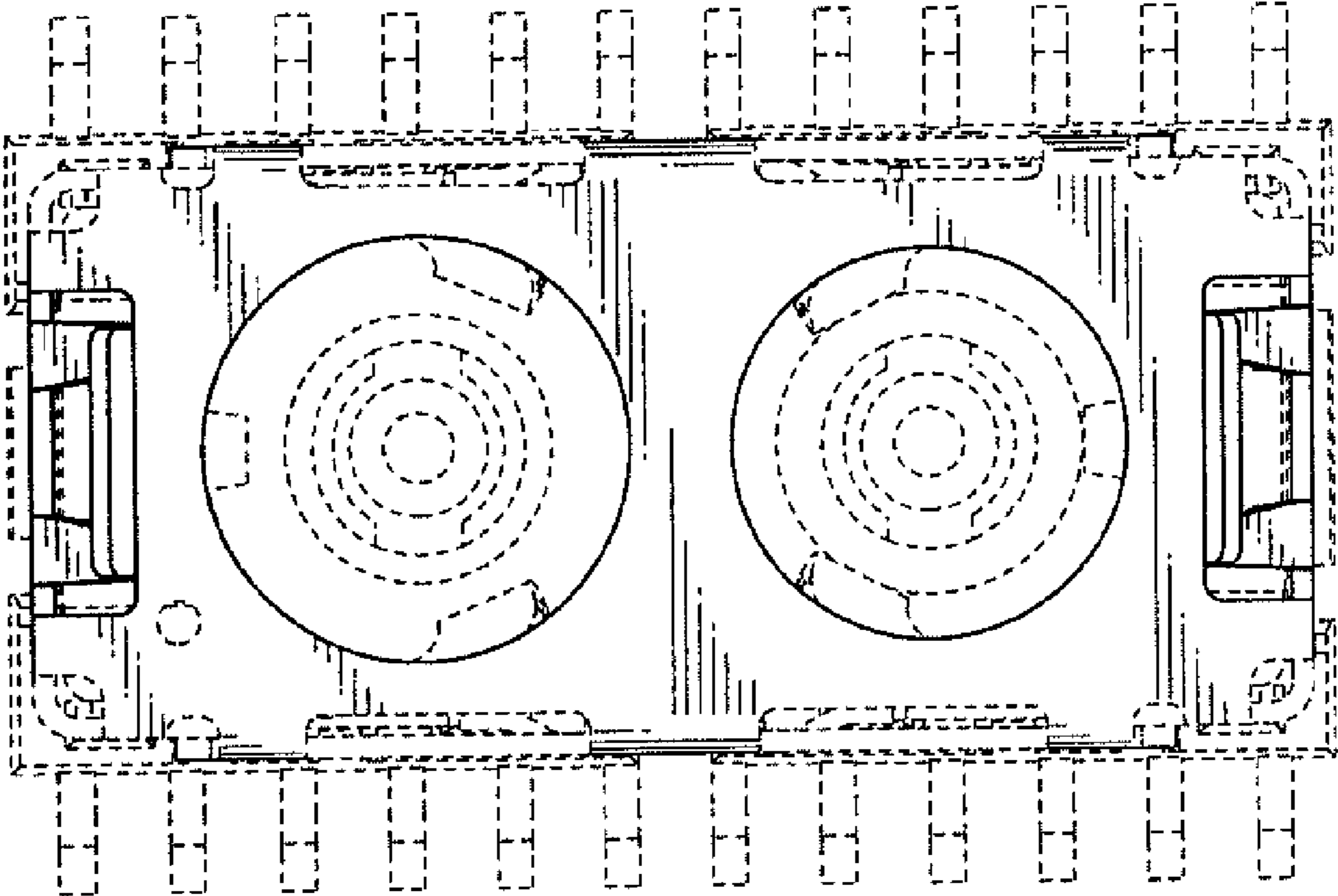


Fig. 3

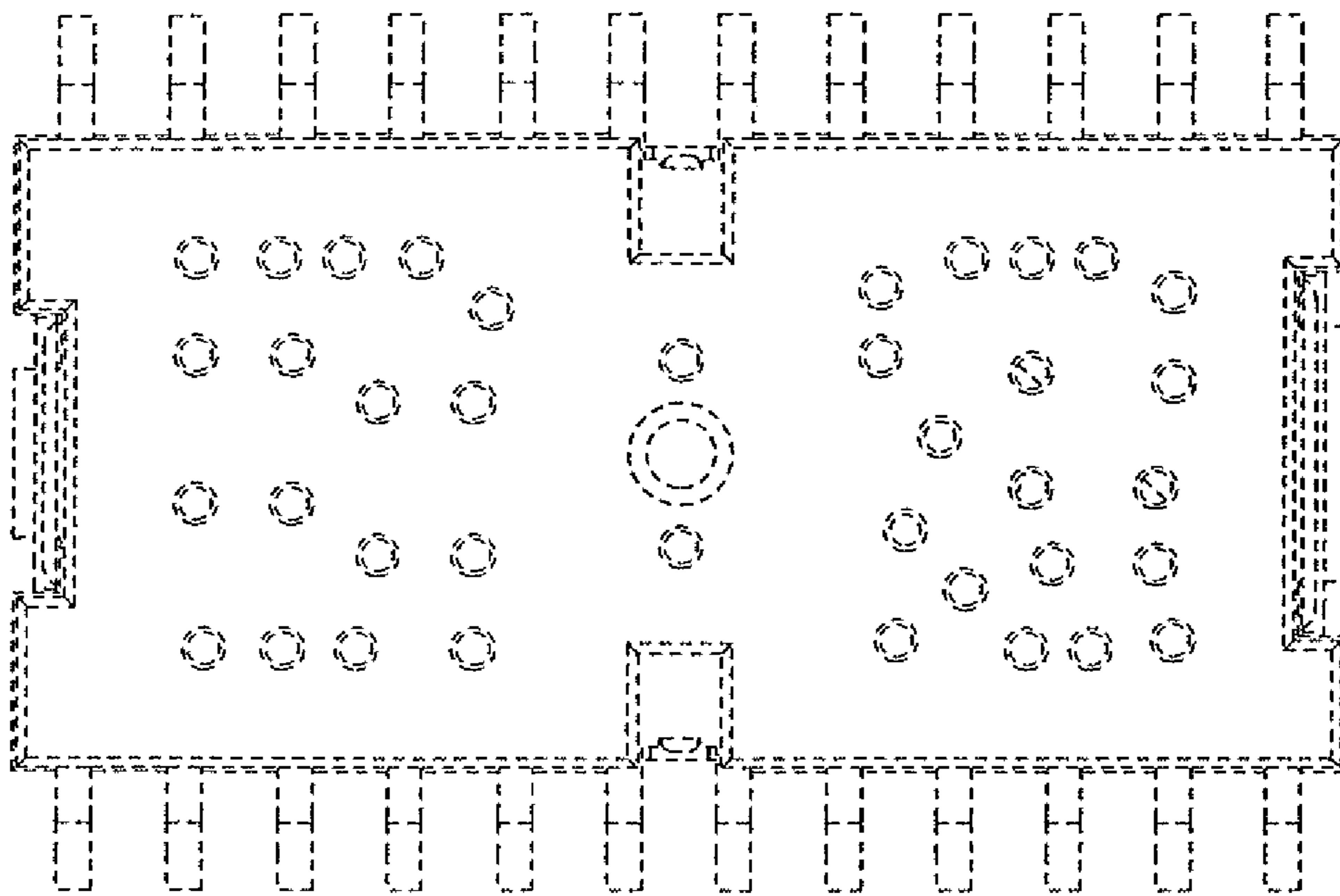


FIG. 4

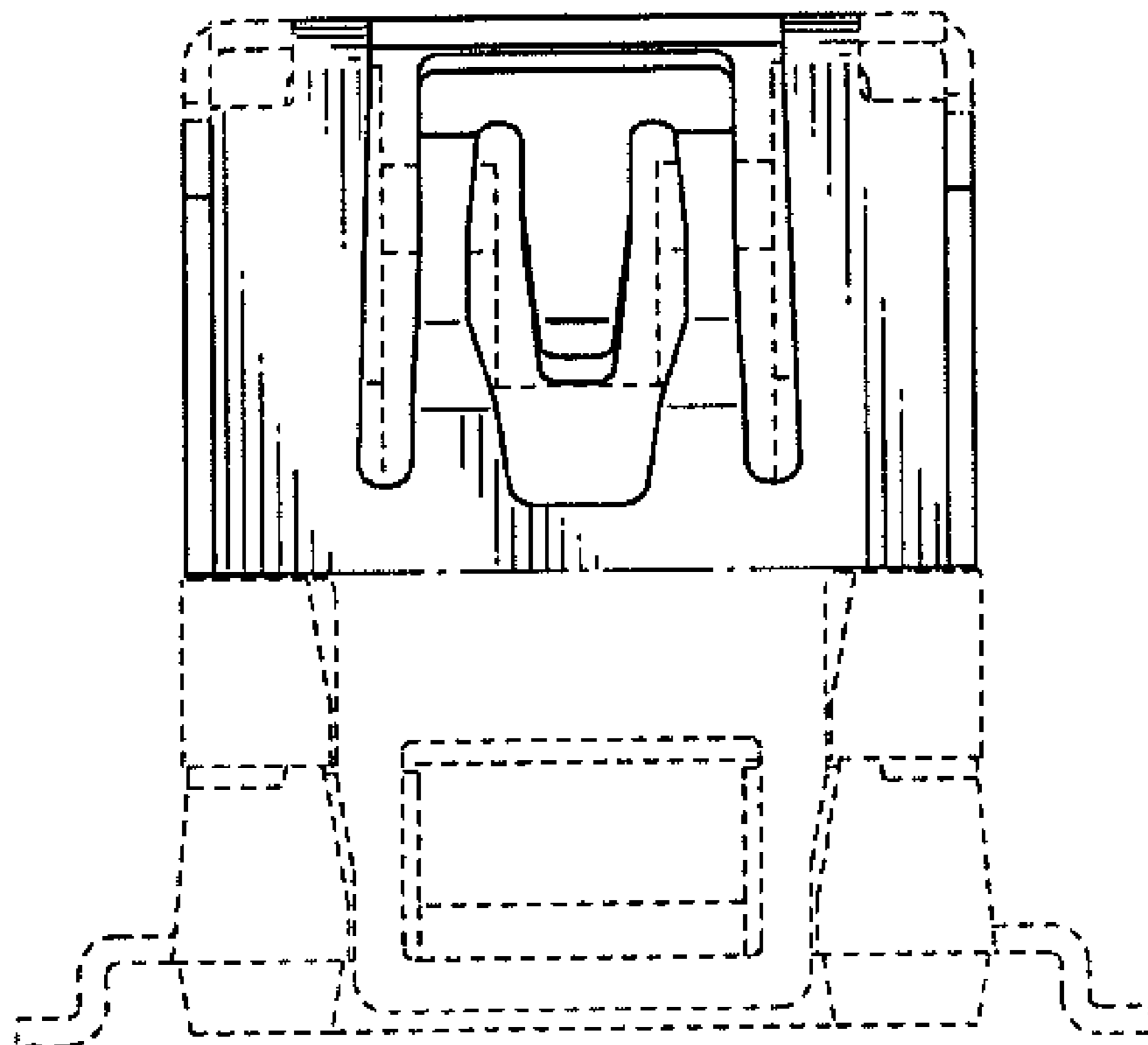


Fig. 5

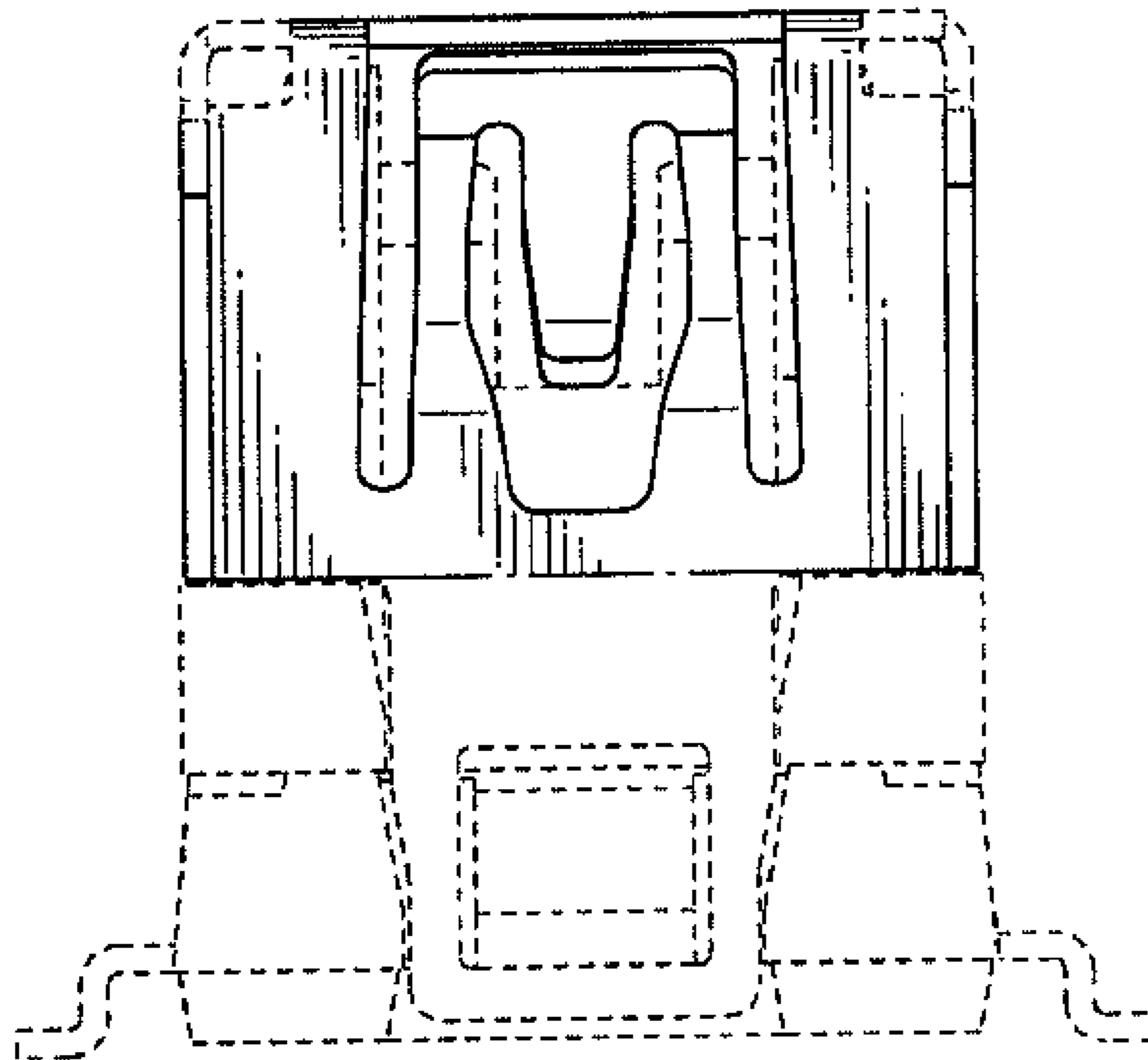


Fig. 6

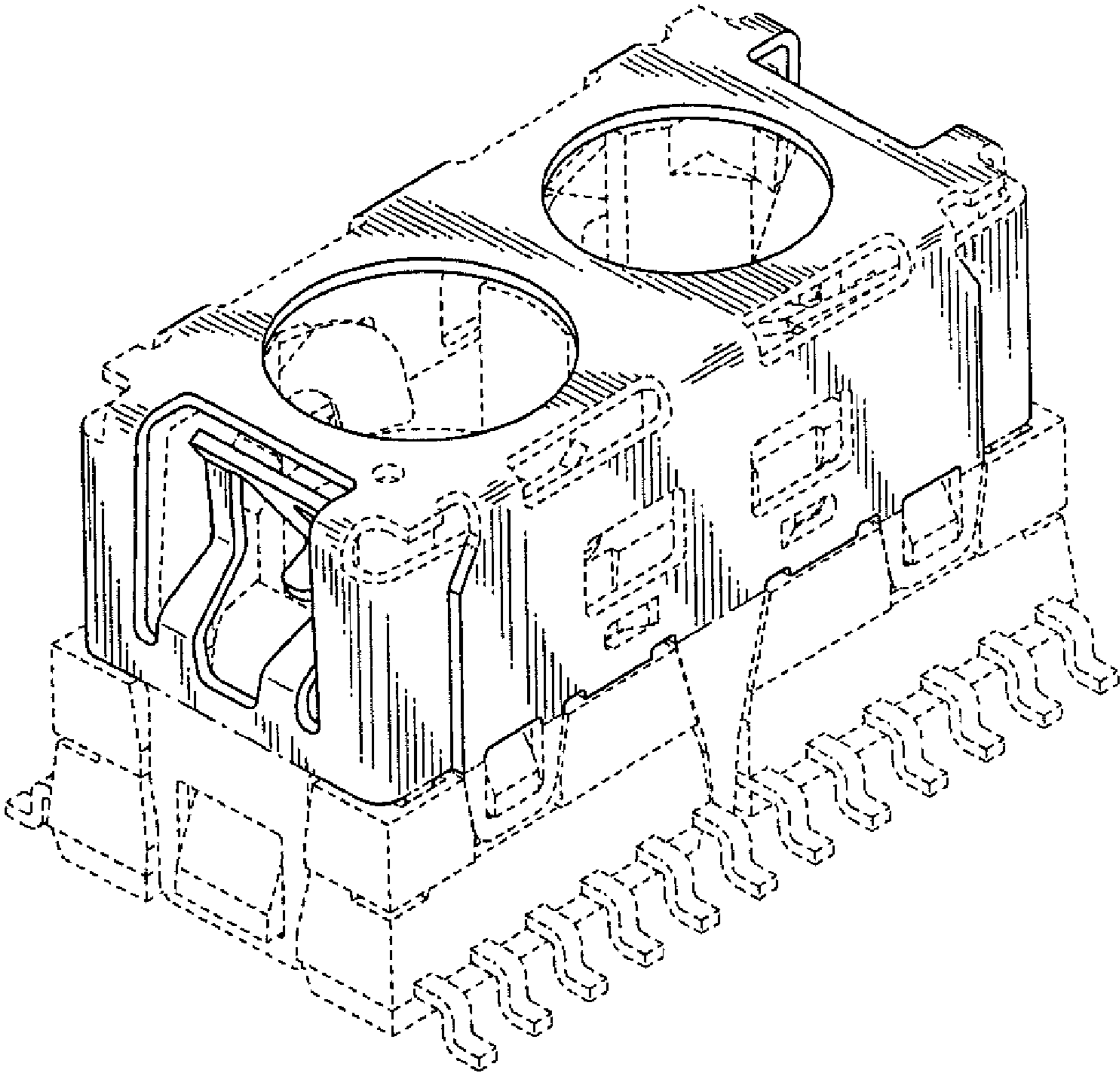


Fig. 7