

US00D670249S

(12) **United States Design Patent**  
**Inskeep**

(10) **Patent No.:** **US D670,249 S**

(45) **Date of Patent:** **\*\* Nov. 6, 2012**

(54) **INVERTER**

*Primary Examiner* — Derrick Holland

(76) Inventor: **Mathew Inskeep**, Boca Raton, FL (US)

(57) **CLAIM**

The ornamental design for an inverter, as shown and described.

(\*\*) Term: **14 Years**

(21) Appl. No.: **29/424,643**

**DESCRIPTION**

(22) Filed: **Jun. 14, 2012**

(51) **LOC (9) Cl.** ..... **13-03**

(52) **U.S. Cl.** ..... **D13/144; D13/110**

(58) **Field of Classification Search** ..... D13/144,  
D13/110, 101, 107, 108, 118, 133, 137.1,  
D13/199; D14/432, 433; 307/150, 151;  
363/141, 146; 439/483, 668, 669  
See application file for complete search history.

FIG. 1 is a top perspective view of the inverter showing my new design.

FIG. 2 is a bottom perspective view.

FIG. 3 is a top view.

FIG. 4 is a bottom view.

FIG. 5 is a left side view thereof.

FIG. 6 is a right side view thereof.

FIG. 7 is a back view thereof.

FIG. 8 is a front view thereof.

FIG. 9 is a top perspective view with the adapter extended.

FIG. 10 is a bottom perspective view with the adapter extended.

FIG. 11 is a top view with the adapter extended.

FIG. 12 is a bottom view with the adapter extended.

FIG. 13 is a left side view with the adapter extended.

FIG. 14 is a right side view with the adapter extended.

FIG. 15 is a bottom view with the adapter extended; and,

FIG. 16 is a top view with the adapter extended.

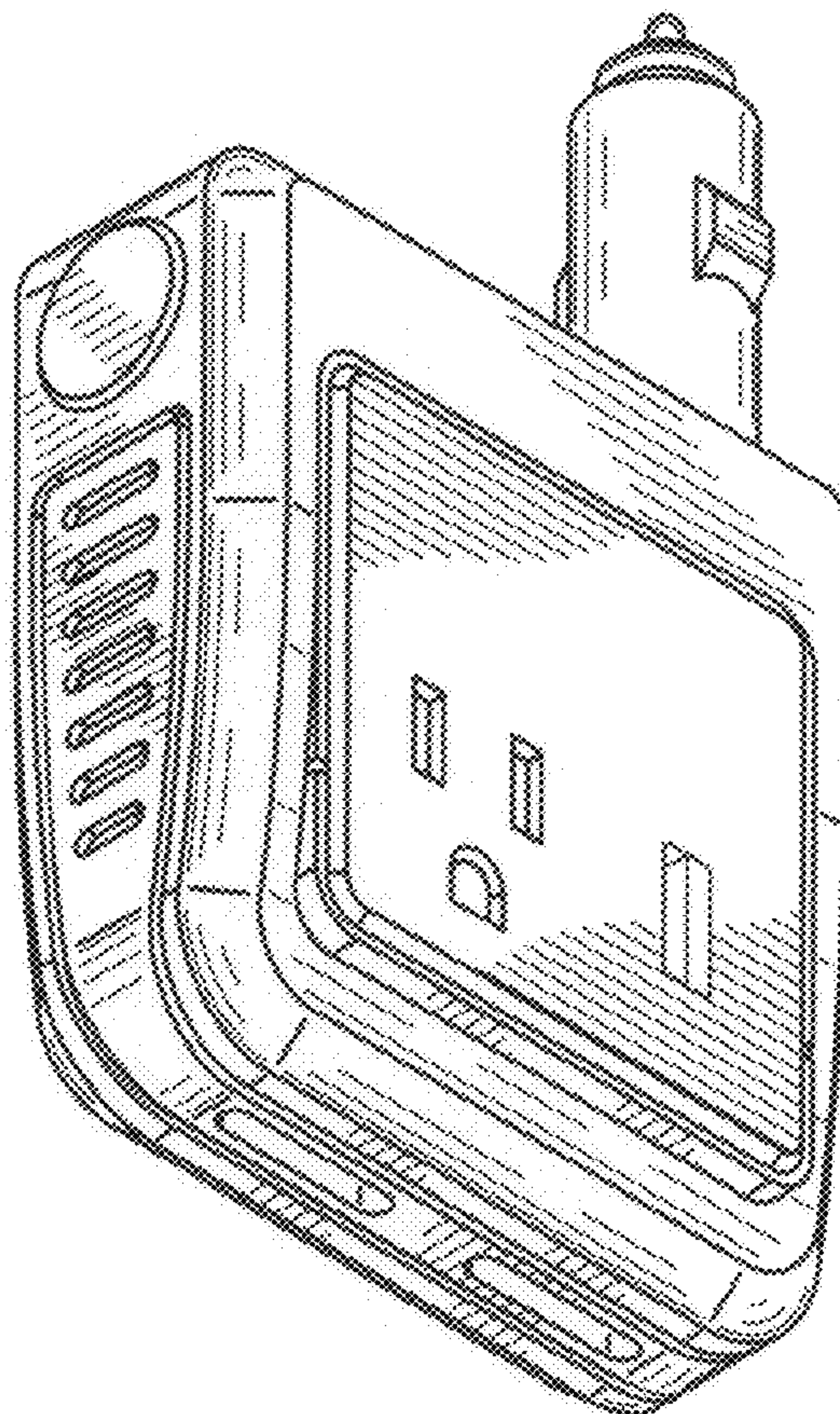
(56) **References Cited**

**U.S. PATENT DOCUMENTS**

D509,792 S *	9/2005	Hsu	.....	D13/110
D544,439 S *	6/2007	Hussaini et al.	.....	D13/110
D548,692 S *	8/2007	Krieger et al.	.....	D13/110
D548,694 S *	8/2007	Krieger et al.	.....	D13/110
D551,166 S *	9/2007	Dayan	.....	D13/110
D554,059 S *	10/2007	Hsu	.....	D13/110
D561,688 S *	2/2008	Hussaini et al.	.....	D13/110
D627,720 S *	11/2010	DuMelle et al.	.....	D13/110

\* cited by examiner

**1 Claim, 6 Drawing Sheets**





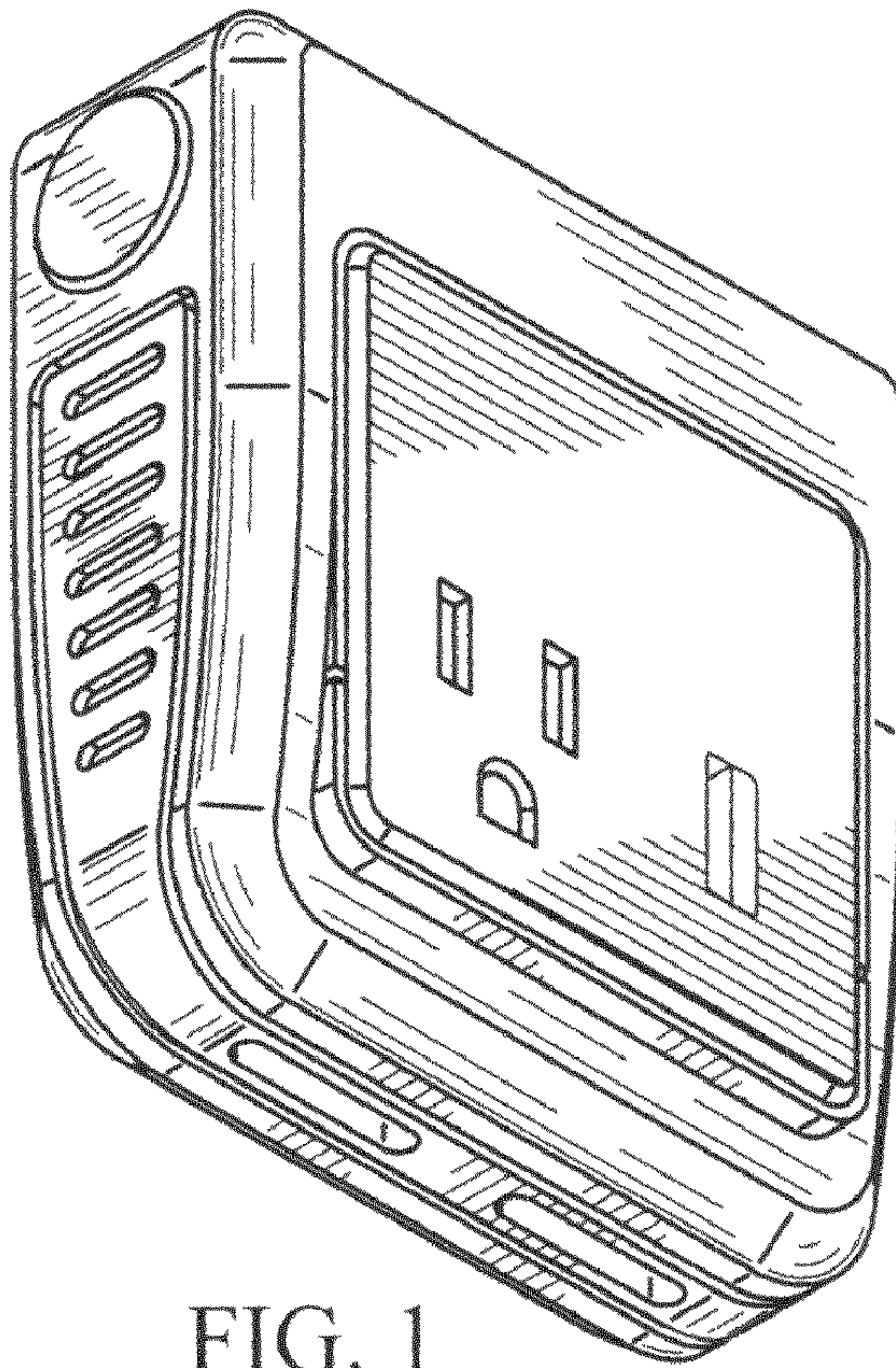


FIG. 1

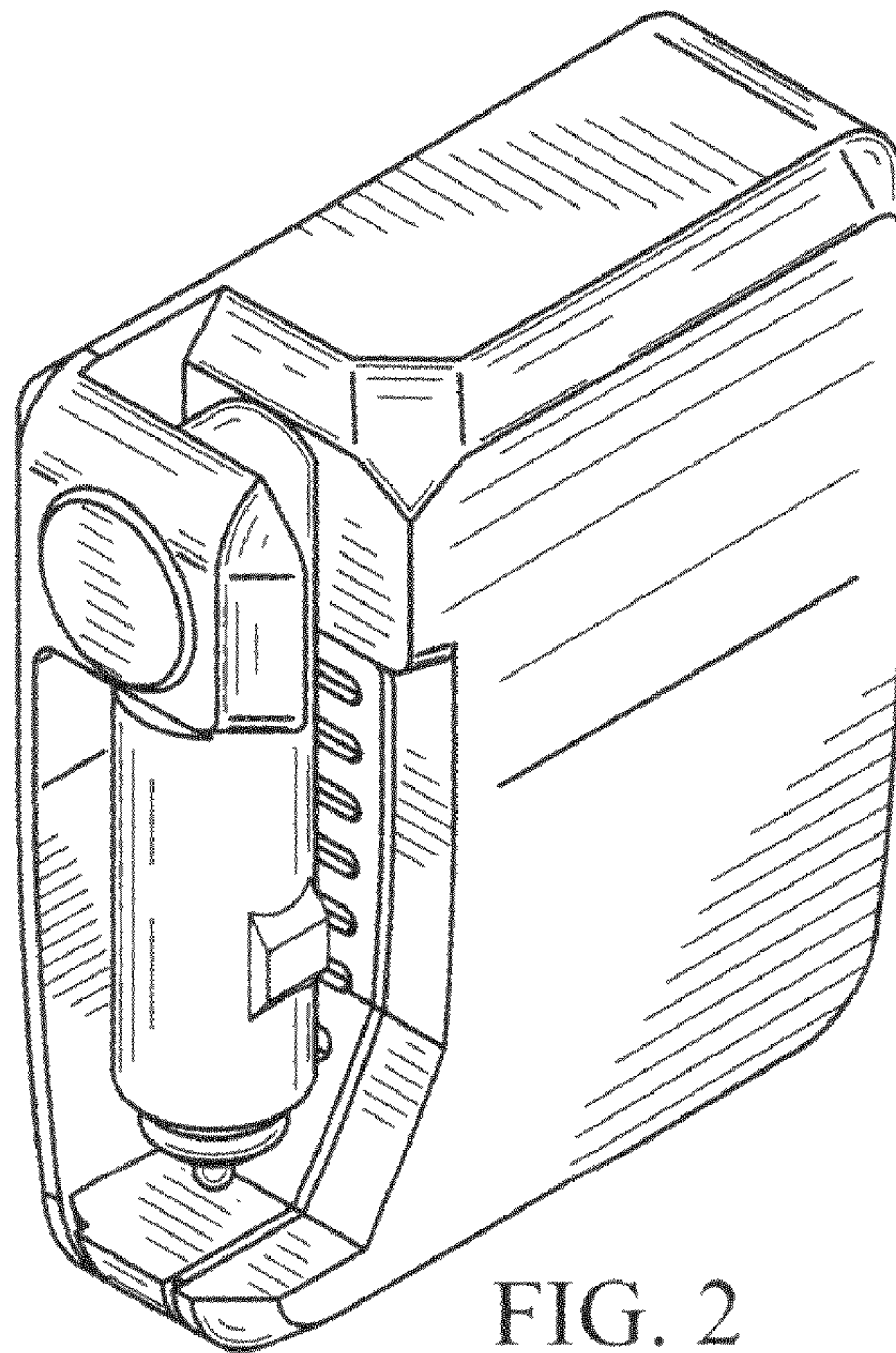


FIG. 2



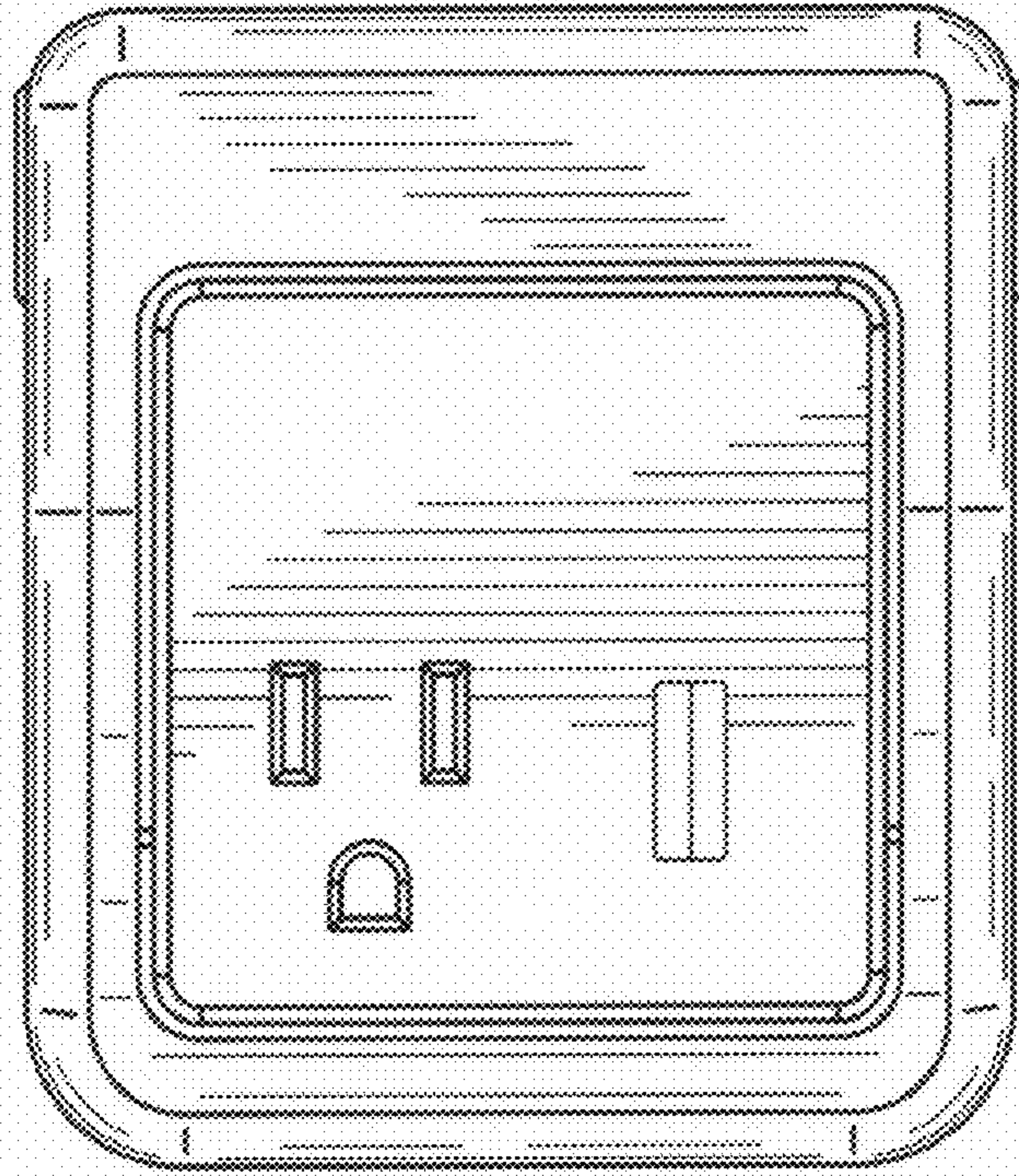


FIG. 3

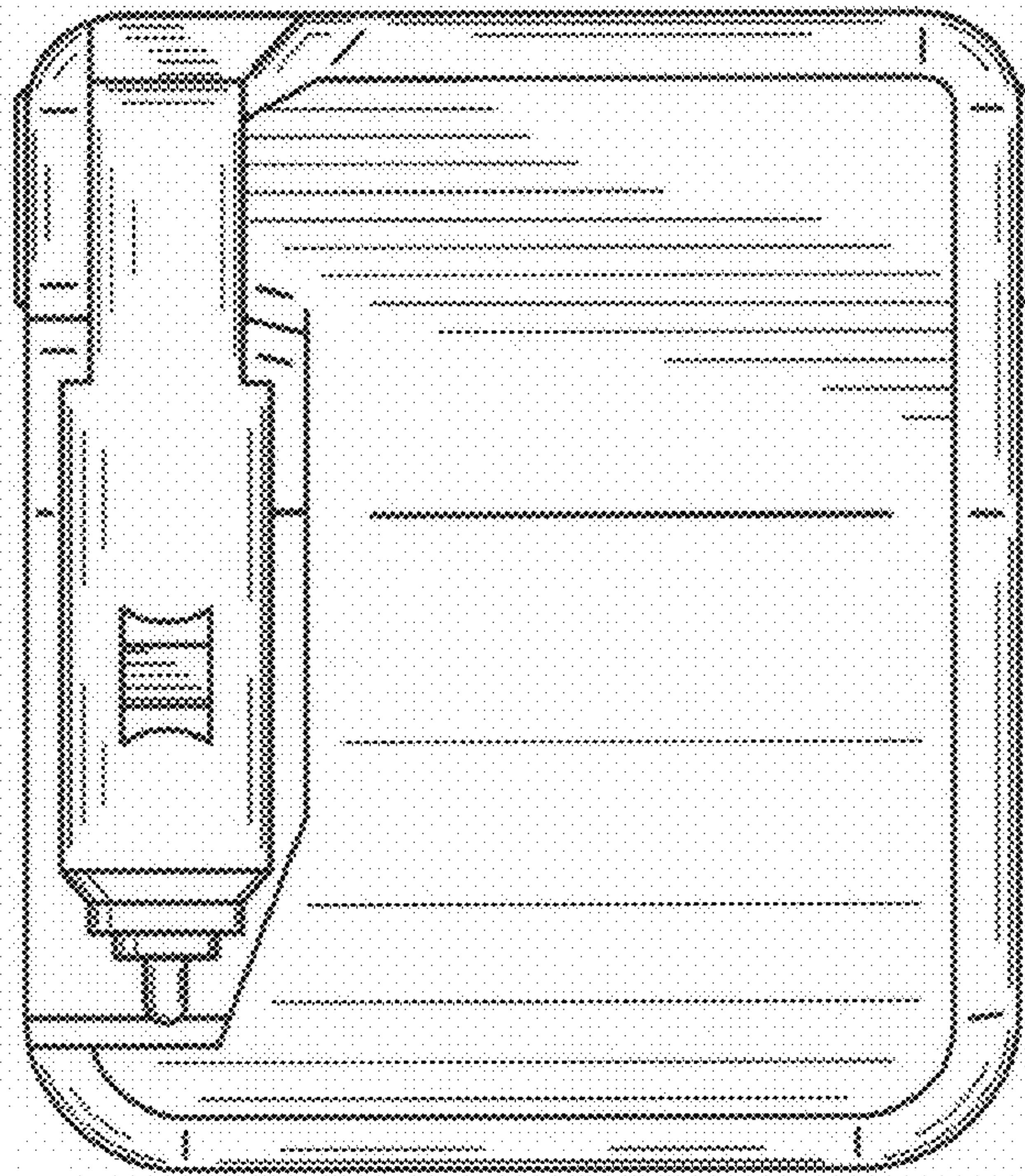


FIG. 4



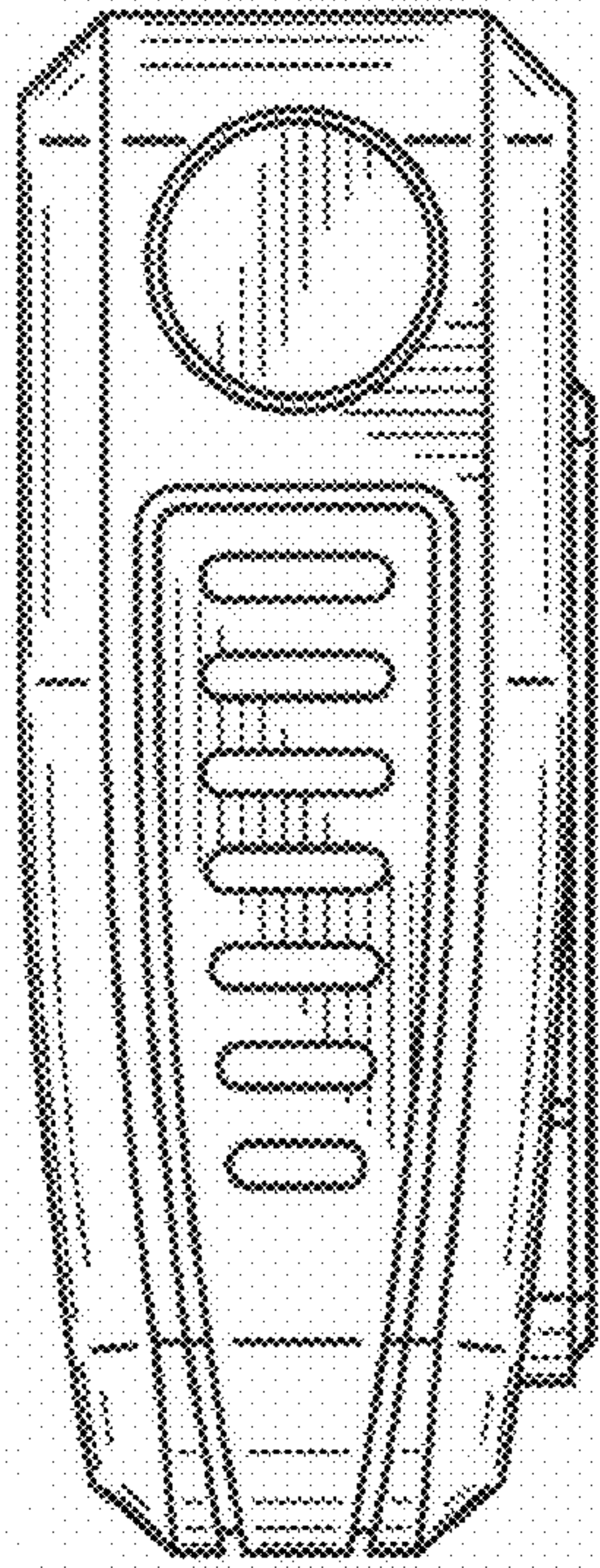


FIG. 5

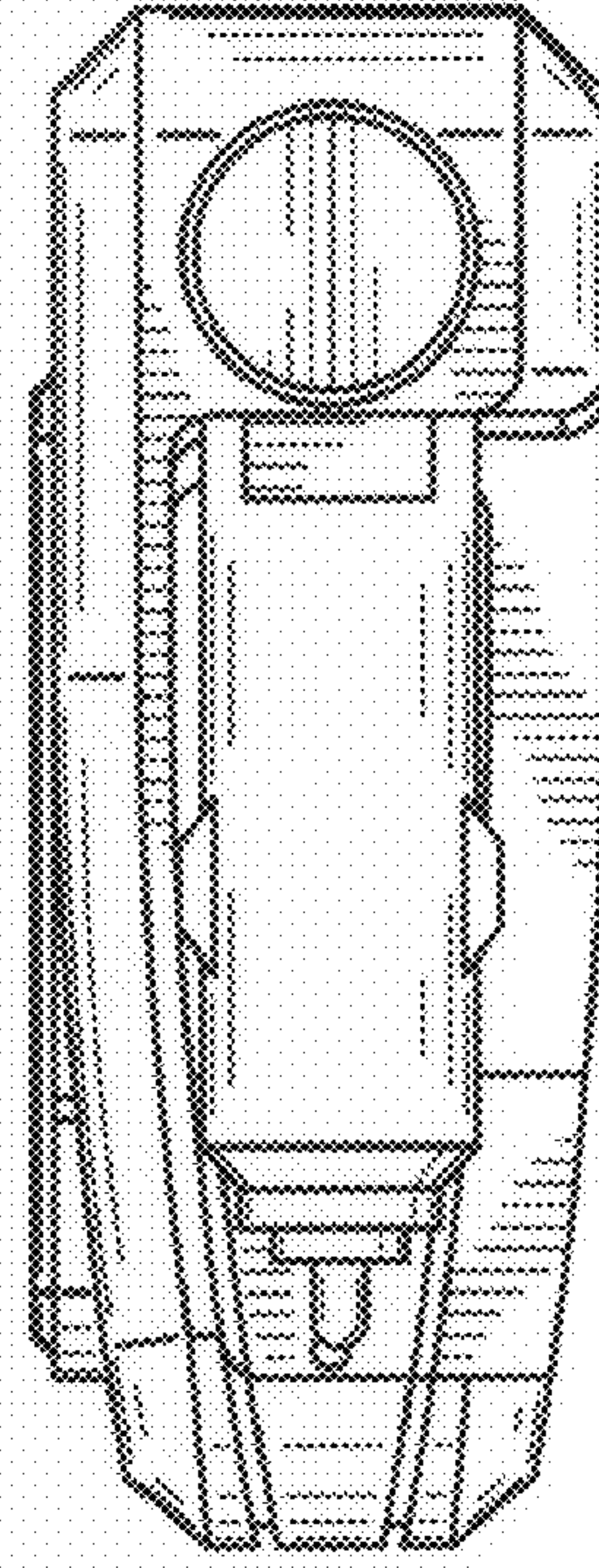


FIG. 6

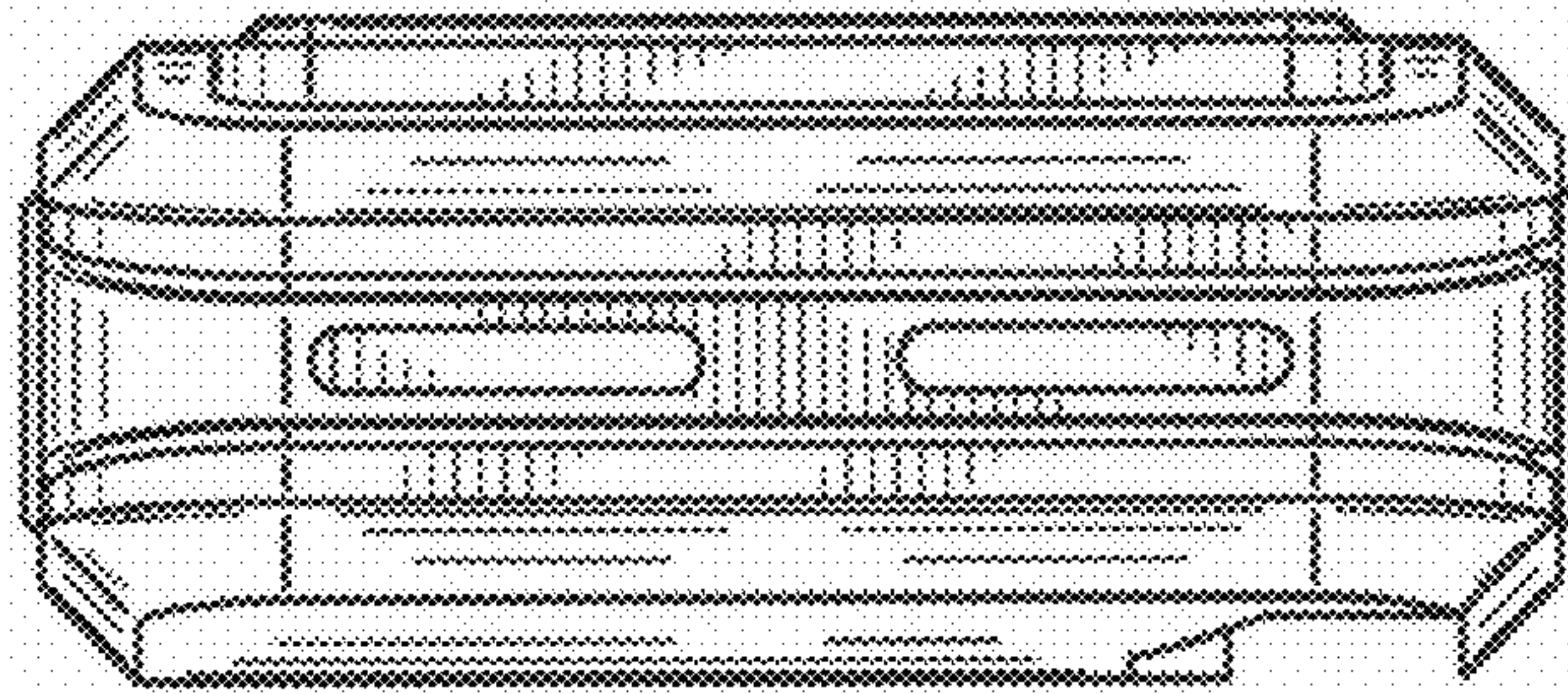


FIG. 7

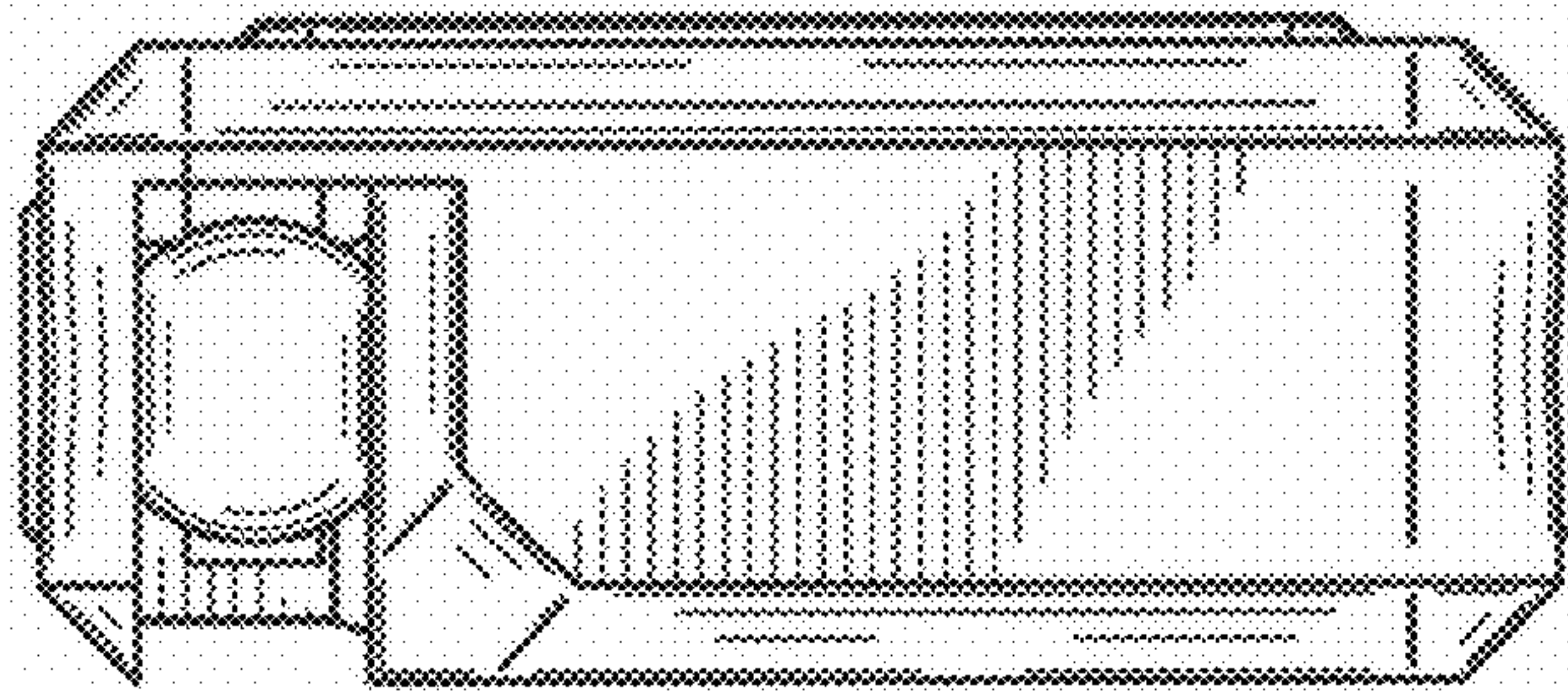


FIG. 8



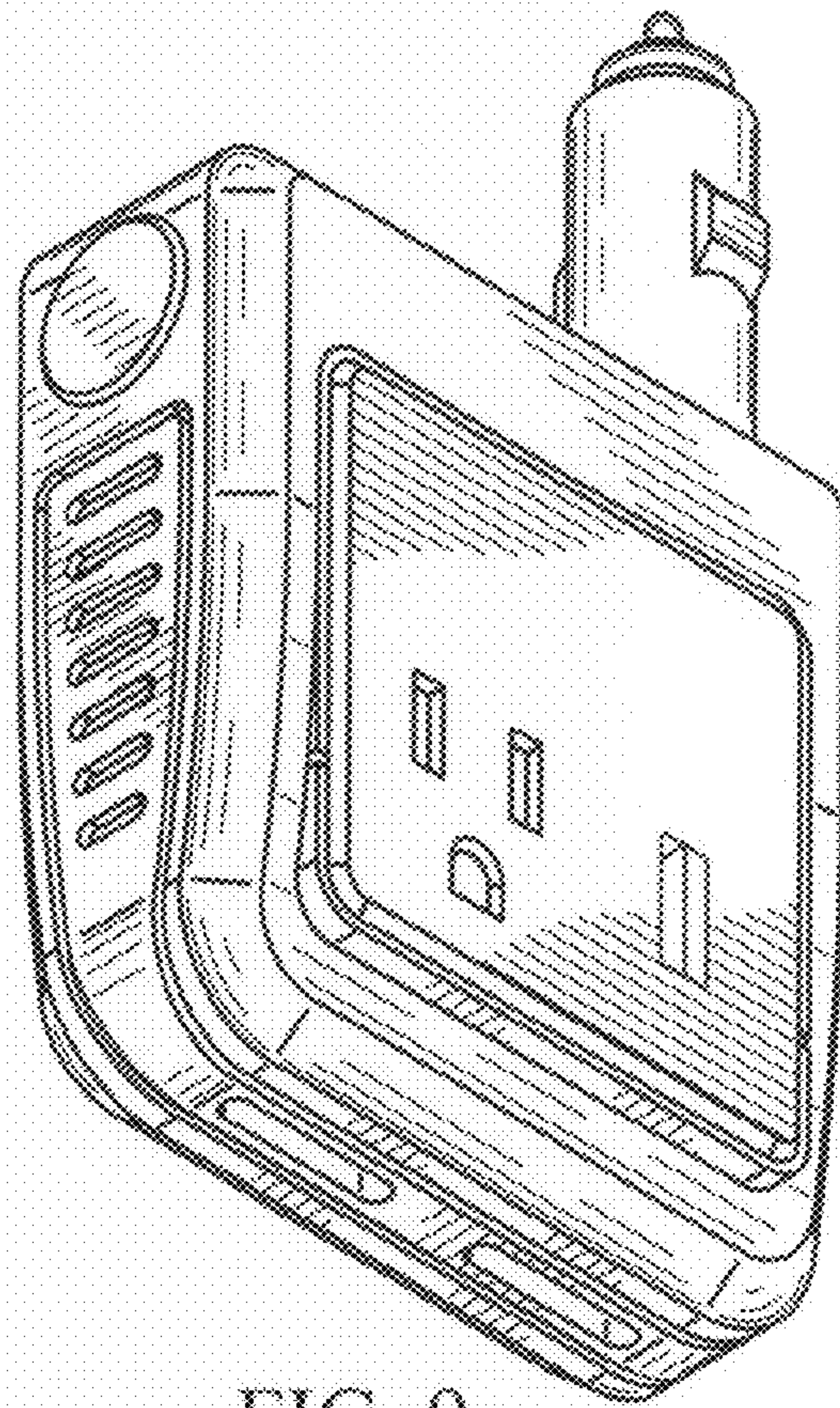


FIG. 9

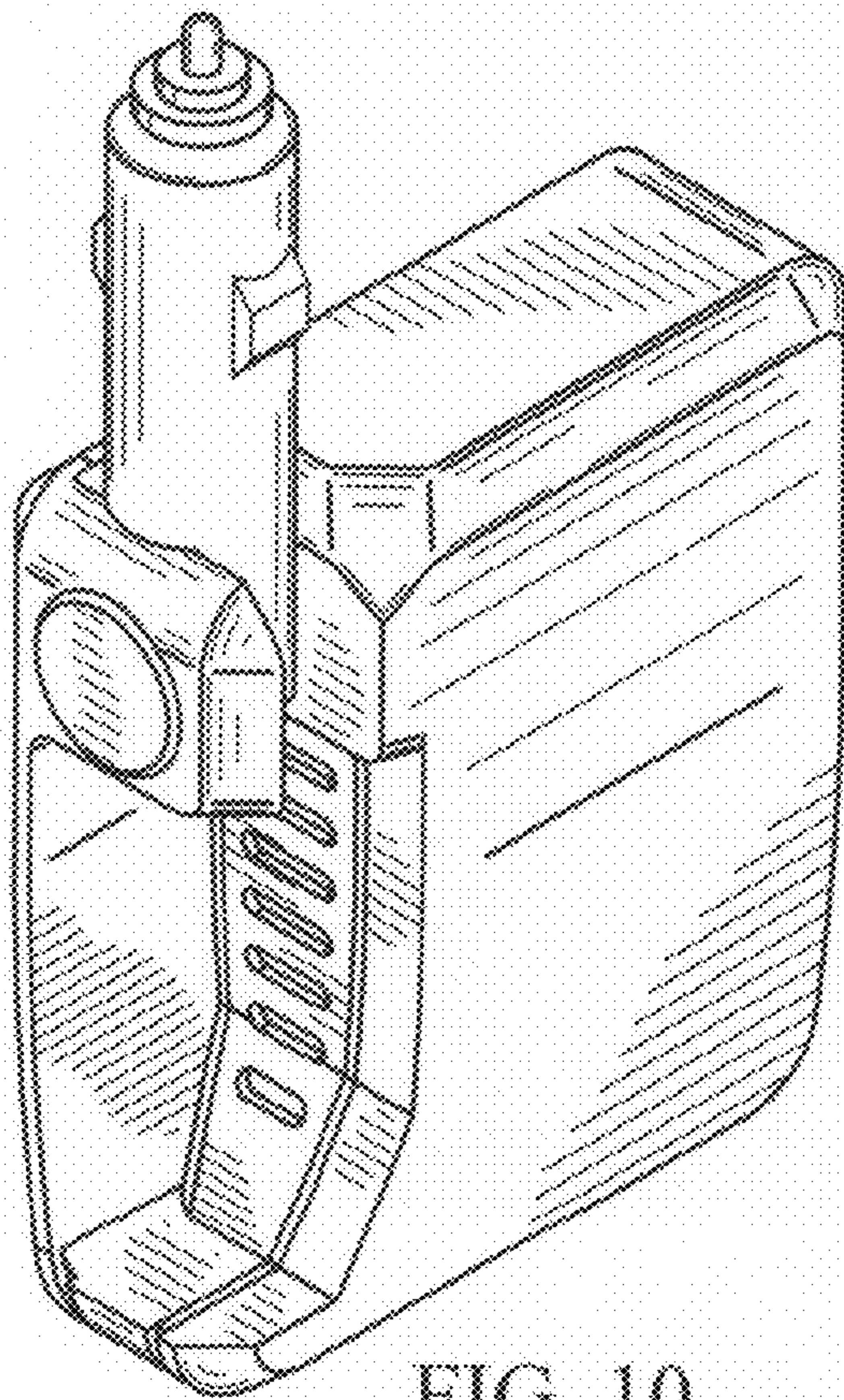


FIG. 10



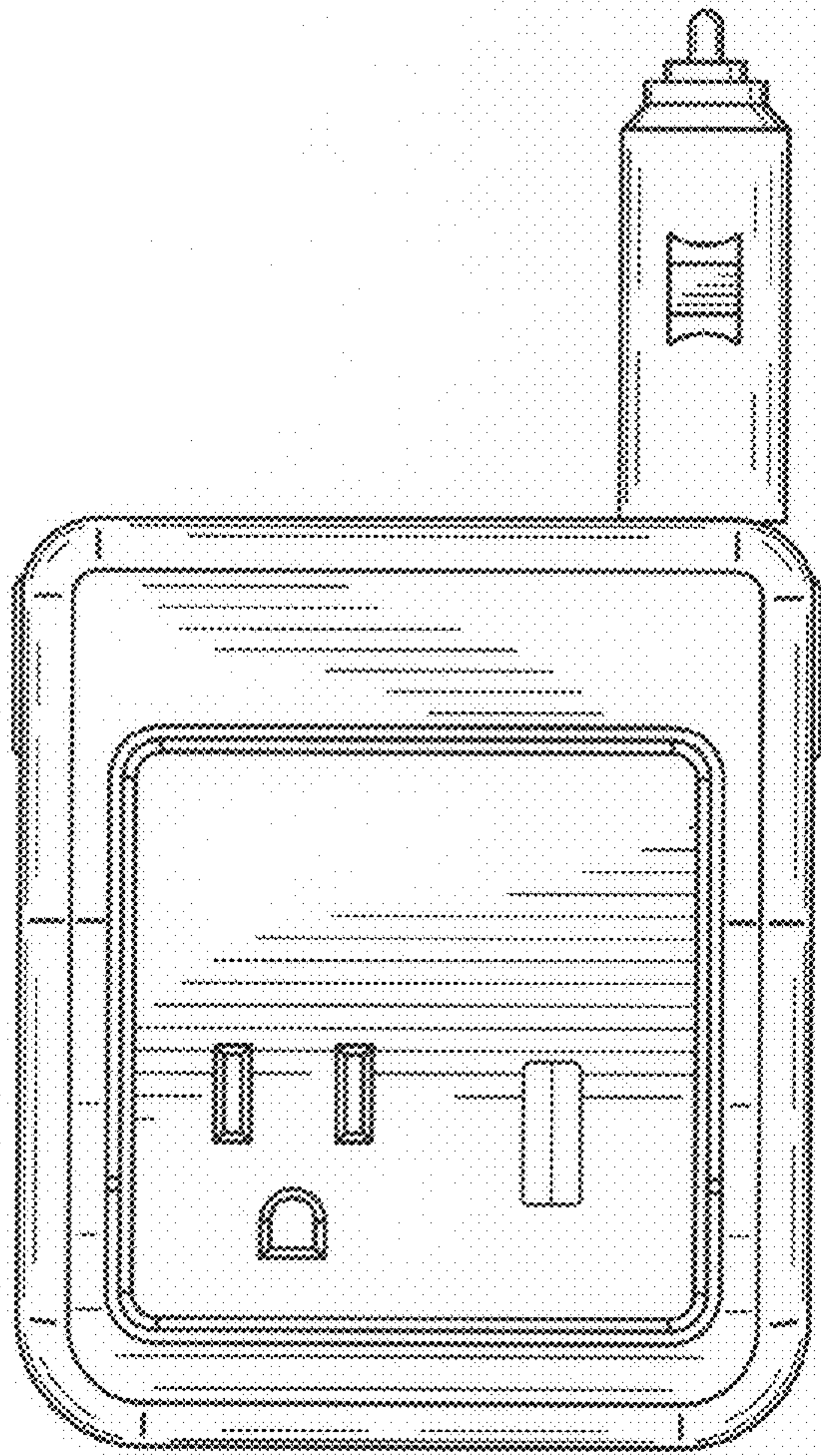


FIG. 11

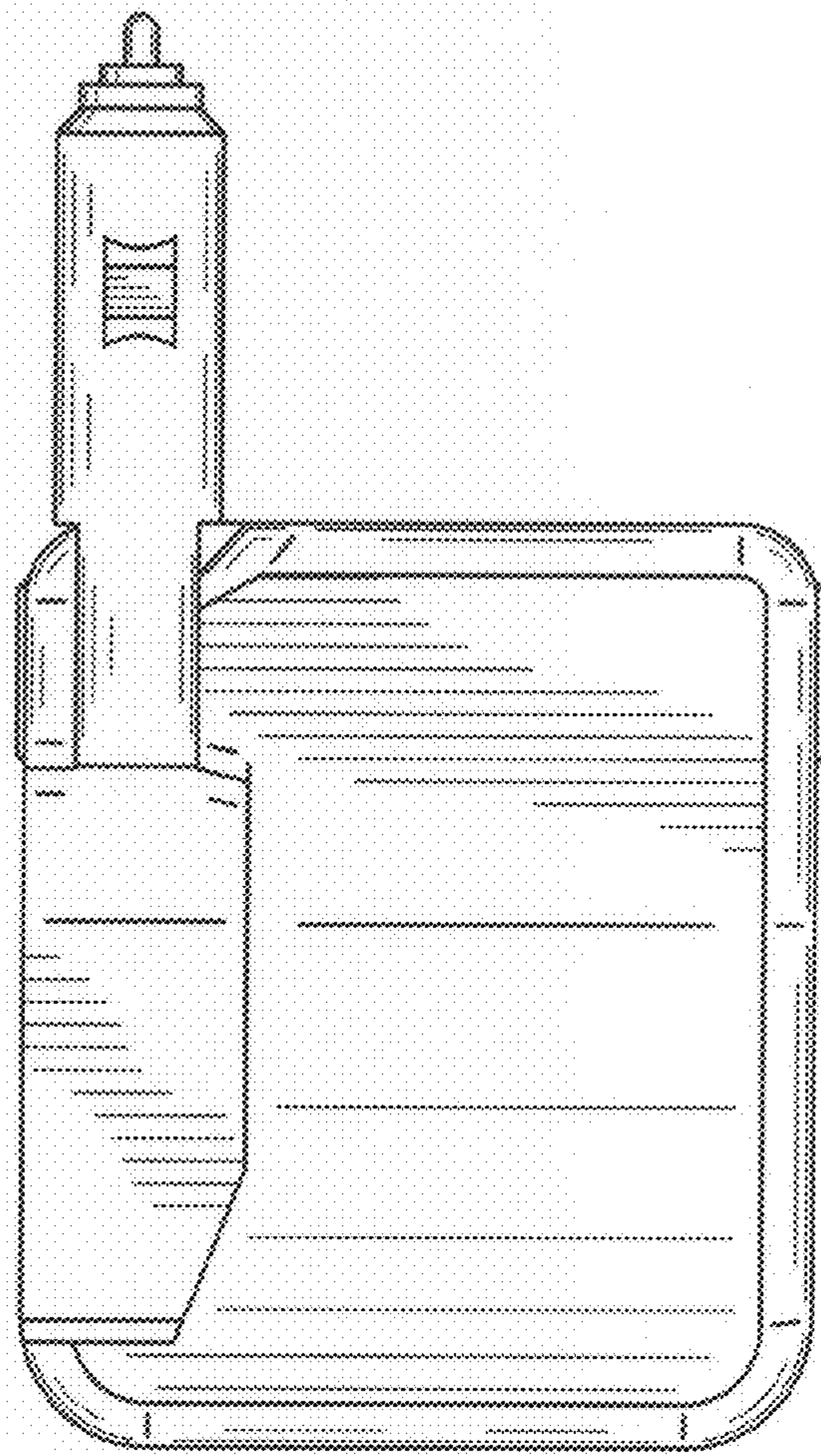


FIG. 12



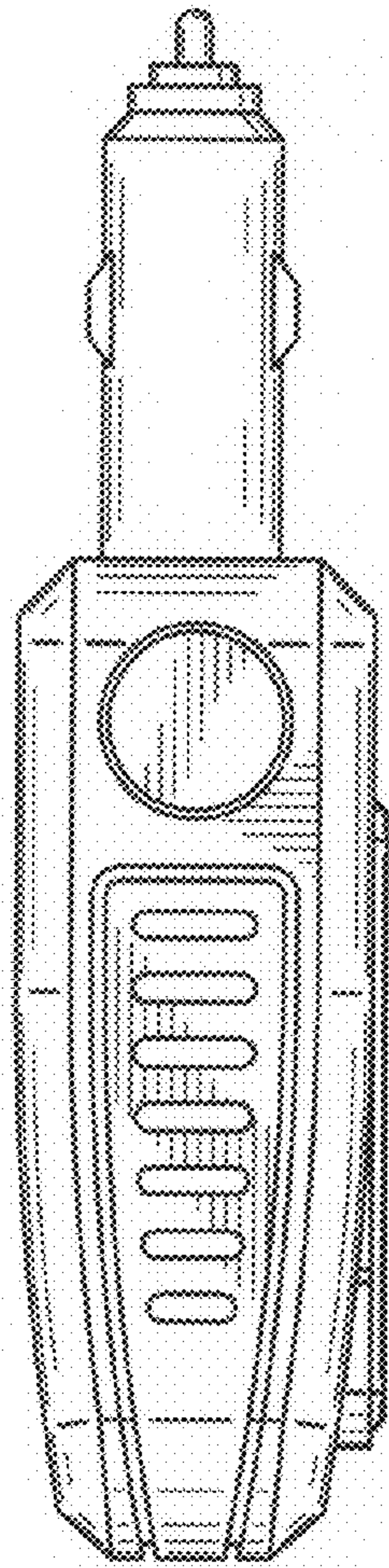


FIG. 13

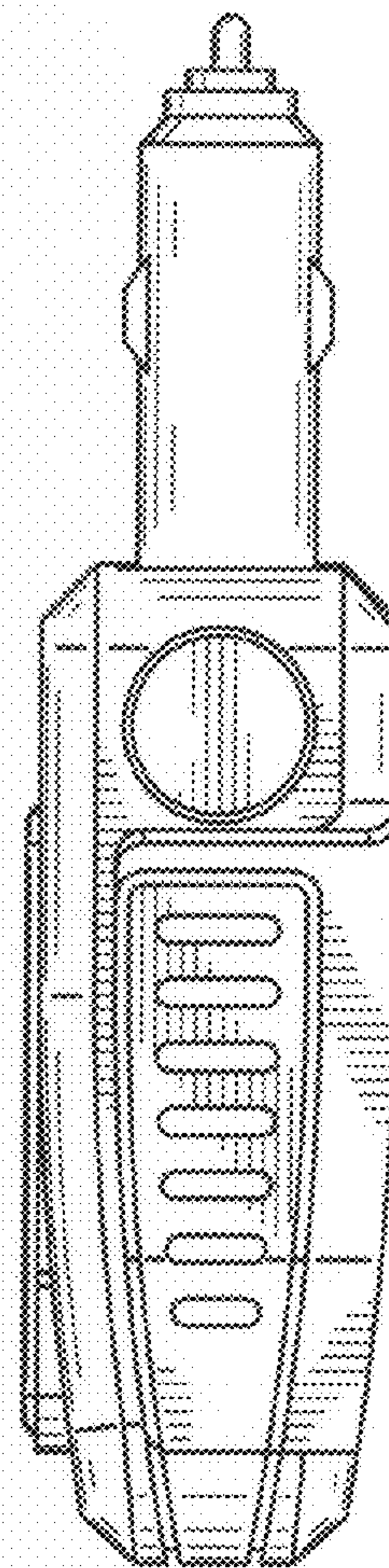


FIG. 14

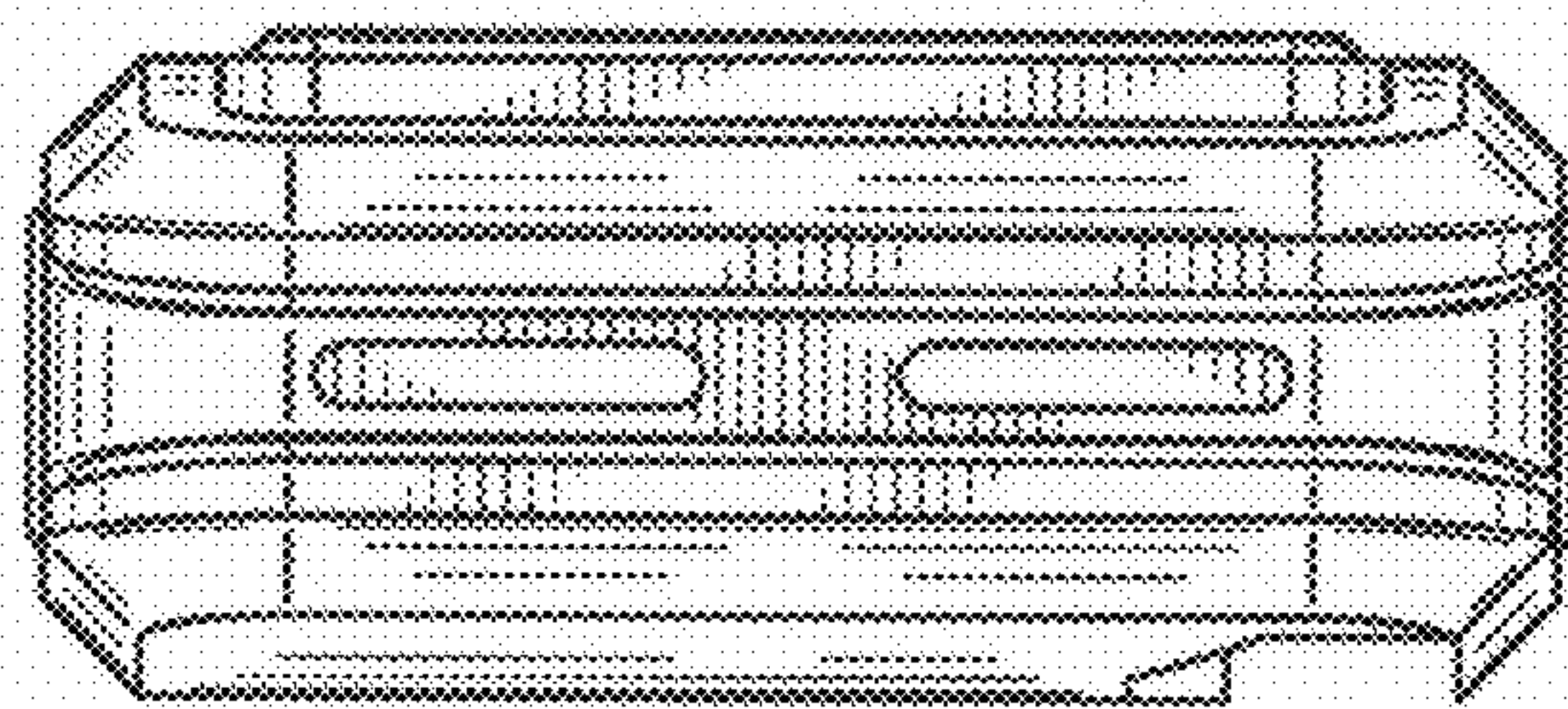


FIG. 15

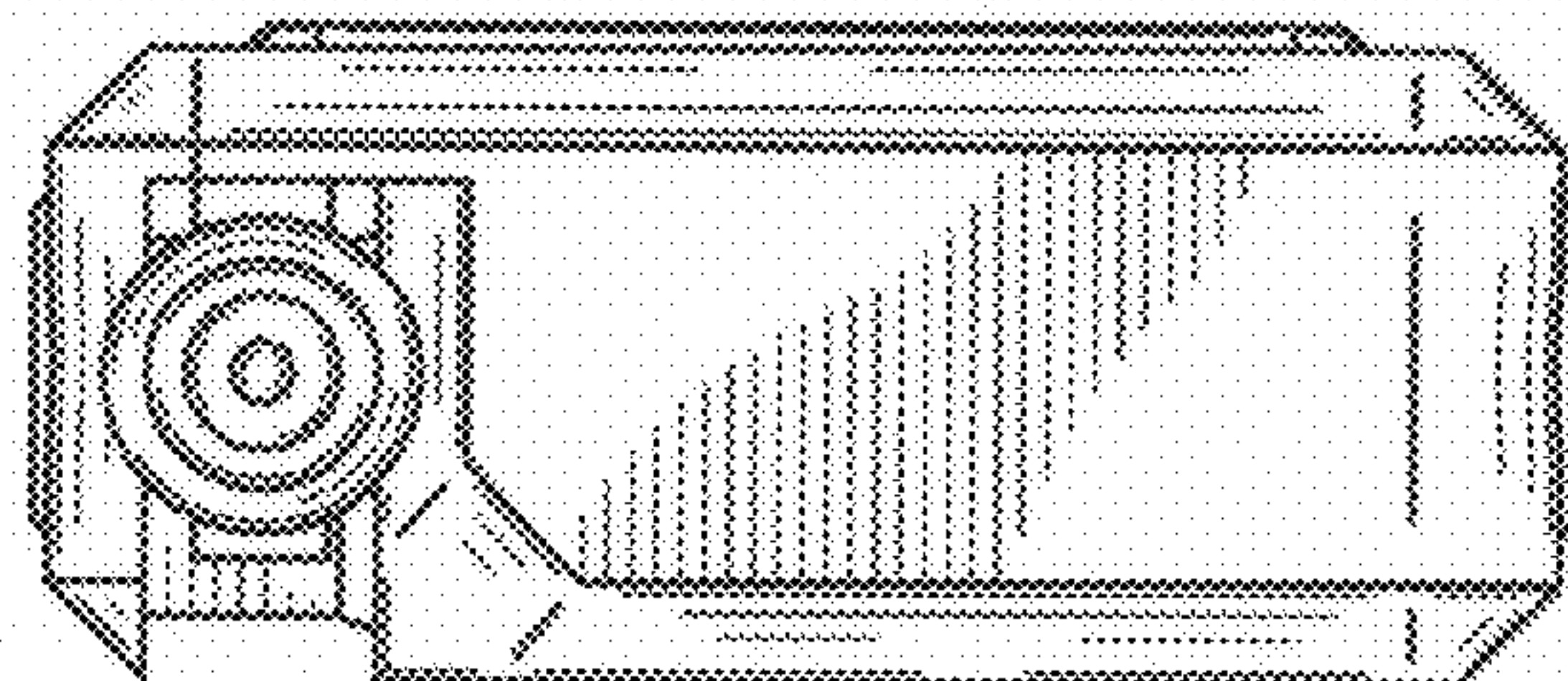


FIG. 16