



US00D670246S

(12) **United States Design Patent**
Lykowski et al.

(10) **Patent No.:** **US D670,246 S**
(45) **Date of Patent:** **** Nov. 6, 2012**

(54) **IGNITER**
(75) Inventors: **James D. Lykowski**, Temperance, MI (US); **John A. Burrows**, Northwich (GB)

(73) Assignee: **Federal-Mogul Ignition Company**, Southfield, MI (US)

(**) Term: **14 Years**

(21) Appl. No.: **29/385,899**

(22) Filed: **Feb. 22, 2011**

(51) **LOC (9) Cl.** **13-03**

(52) **U.S. Cl.** **D13/127**

(58) **Field of Classification Search** D13/123,
D13/126, 127, 154; 313/118, 141, 142, 143,
313/144, 123, 128

See application file for complete search history.

(56) **References Cited**

U.S. PATENT DOCUMENTS

D55,133	S *	5/1920	Kumler, et. al.	D13/127
1,633,435	A	6/1927	Alcocer et al.		
1,790,846	A	2/1931	Sciuto		
1,862,981	A	6/1932	Rabazzana		

1,927,621	A	9/1933	Wahl		
2,360,390	A	10/1944	Berstler		
2,894,315	A	7/1959	Candelise		
3,254,154	A	5/1966	Boggs		
3,451,110	A	6/1969	Bray		
6,363,898	B1 *	4/2002	Ripma et al.	123/169 R
D459,697	S *	7/2002	Schaus	D13/127
D598,854	S *	8/2009	Jun	D13/127
7,710,006	B2	5/2010	Kyuno et al.		
2009/0102345	A1	4/2009	Hotta et al.		
2012/0055434	A1 *	3/2012	Giffels et al.	123/169 R
2012/0145695	A1 *	6/2012	Radmacher	219/270

* cited by examiner

Primary Examiner — Thomas Johannes

(74) *Attorney, Agent, or Firm* — Robert L. Stearns; Dickinson Wright, PLLC

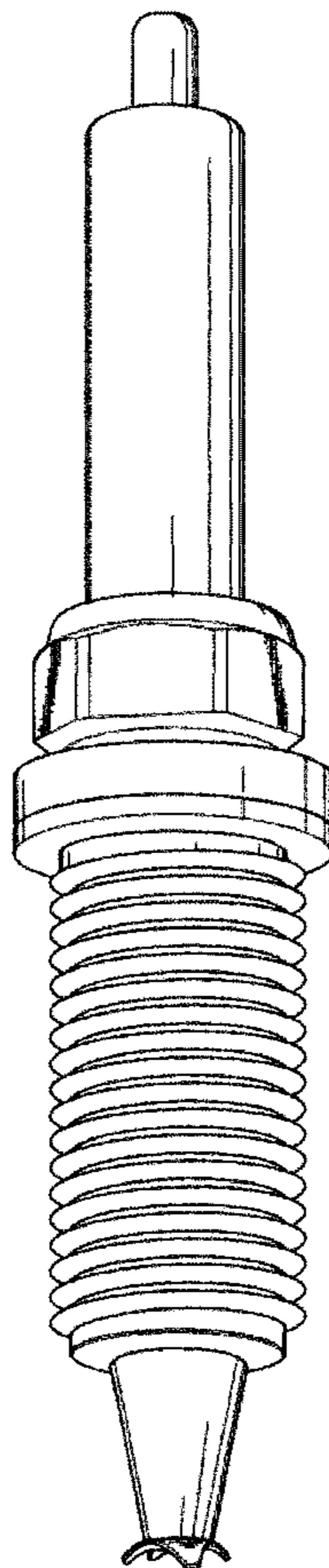
(57) **CLAIM**

We claim the ornamental design for an igniter, as shown and described.

DESCRIPTION

FIG. 1 is a perspective view of an igniter showing our new design;
FIG. 2 is a side view thereof;
FIG. 3 is a side view thereof rotated 90 degrees from FIG. 2;
FIG. 4 is a top view thereof; and,
FIG. 5 is a bottom view thereof.

1 Claim, 2 Drawing Sheets



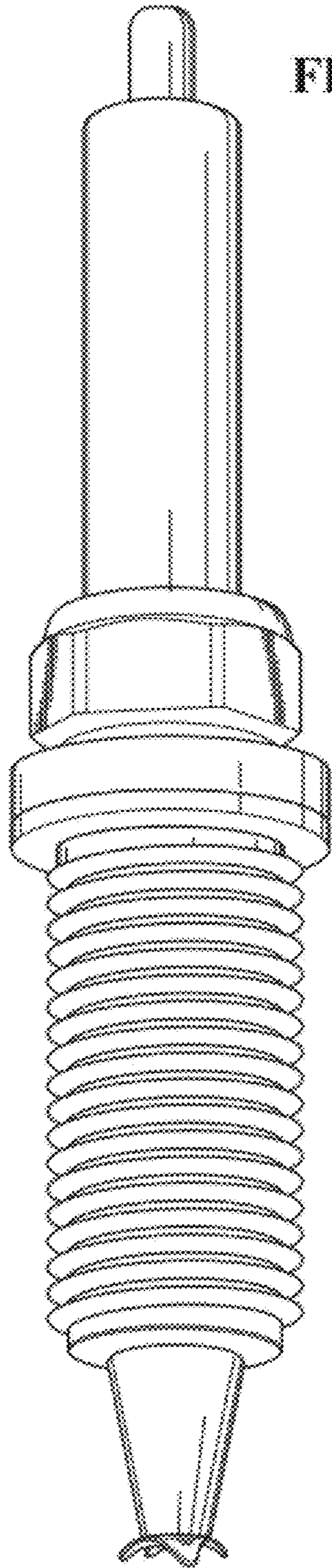


FIG. 1

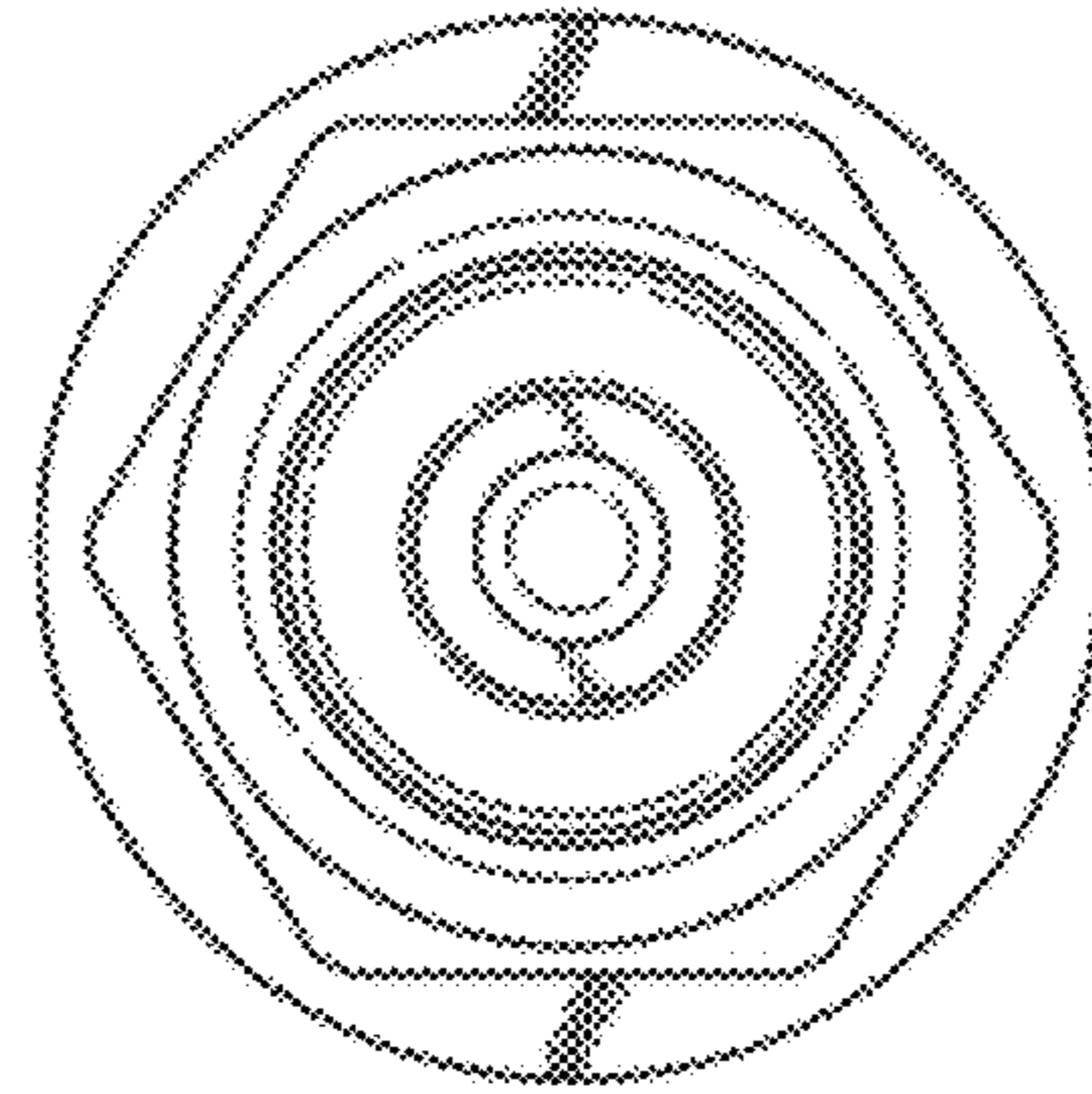


FIG. 4

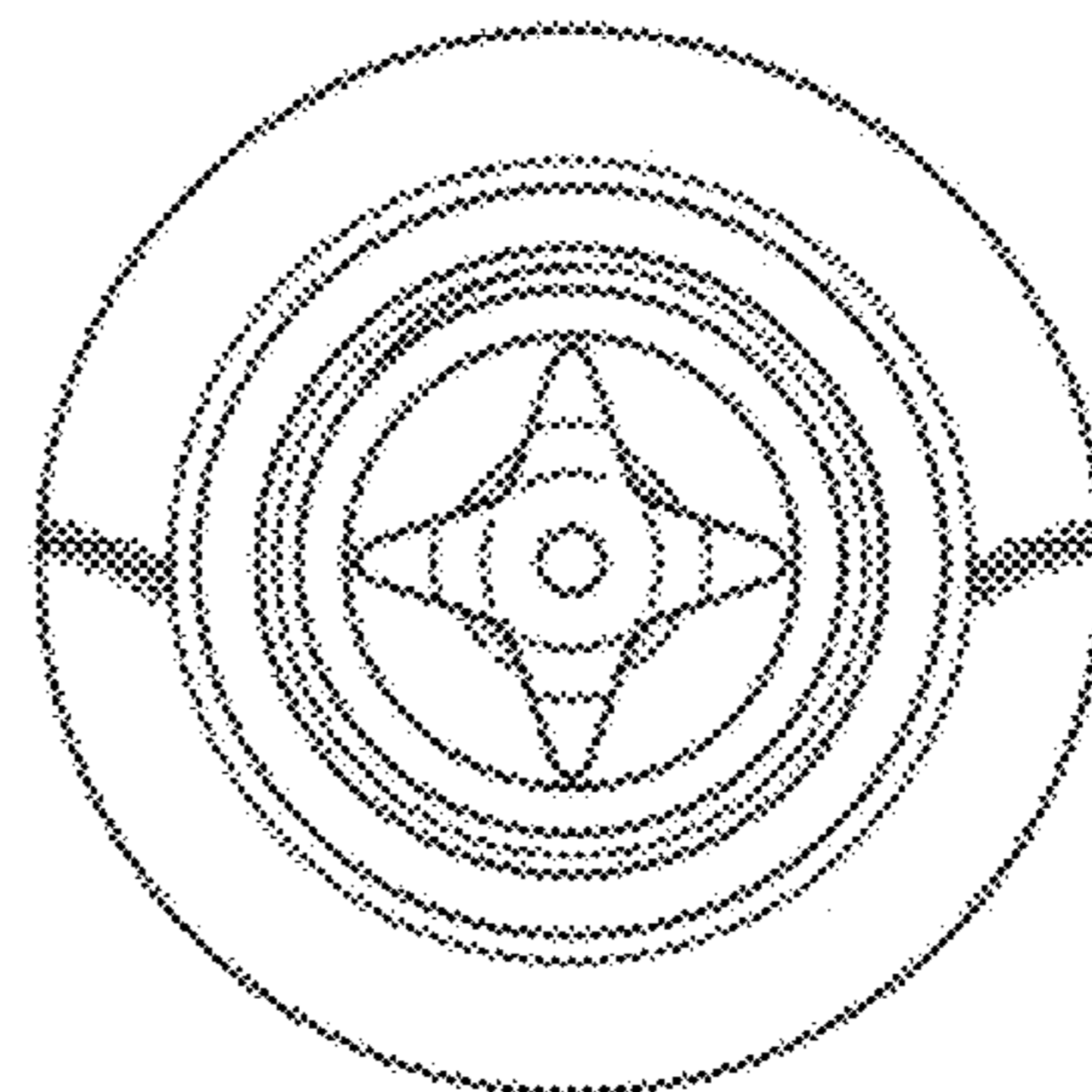


FIG. 5

