



US00D670242S

(12) **United States Design Patent**
Cobbett et al.

(10) **Patent No.:** **US D670,242 S**
(45) **Date of Patent:** **** Nov. 6, 2012**

(54) **HOUSING WITH ELECTRONIC DATA
MODULES**

(75) Inventors: **Jamian R. Cobbett**, Portland, OR (US);
Kyle Schepke, Portland, OR (US); **Steve
Jarvis**, Portland, OR (US)

(73) Assignee: **NIKE, Inc.**, Beaverton, OR (US)

(**) Term: **14 Years**

(21) Appl. No.: **29/413,865**

(22) Filed: **Feb. 22, 2012**

(51) **LOC (9) Cl.** **13-02**

(52) **U.S. Cl.** **D13/107; D14/358**

(58) **Field of Classification Search** D13/103,
D13/107-110, 118-119, 146-147, 149, 168,
D13/184, 199; D14/300-302, 314, 341,
D14/348-349, 356-358, 363, 365, 368, 370,
D14/383, 385, 432-435, 436-438, 496, 125,
D14/133, 137, 155, 164, 218, 230, 240-242,
D14/251, 253, 256, 263, 299; 320/107-115;
D3/201, 273; D18/56; D10/65, 73, 75, 78,
D10/80, 83, 104.1; D2/961, 964; 36/31,
36/43, 44, 136

See application file for complete search history.

(56) **References Cited**

U.S. PATENT DOCUMENTS

D276,809	S	*	12/1984	Taylor	D14/253
5,153,988	A	*	10/1992	Mattis et al.	29/863
D345,341	S	*	3/1994	Tattari et al.	D13/119
D352,711	S	*	11/1994	Solomita et al.	D14/149
D374,014	S	*	9/1996	Nagele et al.	D14/253
D385,283	S	*	10/1997	Snyder et al.	D14/253
5,692,324	A		12/1997	Goldston		
5,847,541	A	*	12/1998	Hahn	320/111
D412,494	S	*	8/1999	Tamaki et al.	D14/314
D420,671	S	*	2/2000	Jacobsen et al.	D14/240
D421,443	S	*	3/2000	Nagele et al.	D14/253
D453,155	S	*	1/2002	Michel	D14/253
D460,411	S	*	7/2002	Wang	D13/103

D460,412	S	*	7/2002	Nawrozki	D13/107
D475,679	S	*	6/2003	Cooper et al.	D13/103
D501,479	S		2/2005	Bang		
D501,480	S		2/2005	Bang		
D501,661	S		2/2005	Bang		
D507,526	S		7/2005	Ohta		
D522,963	S	*	6/2006	Hayes et al.	D13/108
D532,367	S	*	11/2006	Kettula et al.	D13/108
D532,370	S	*	11/2006	Shimizu	D13/108
D544,486	S		6/2007	Hussaini		
D544,487	S		6/2007	Hussaini		
D551,668	S		9/2007	Newby		
D552,610	S		10/2007	Newby		

(Continued)

OTHER PUBLICATIONS

Nike Store. Nike Sport Charger, [online], [retrieved on Sep. 12, 2012]. Retrieved from the Internet <URL: http://store.nike.com/us/en_us/?l=shop,pdp,ctr-inline/cid-1/pid-646548>.* Nike Store. Nike Sport Sensor [online], [retrieved on Sep. 12, 2012]. Retrieved from the Internet <URL: http://store.nike.com/us/en_us/?l=shop,pdp,ctr-inline/cid-1/pid-646549>.*

(Continued)

Primary Examiner — Karen E Kearney

(74) *Attorney, Agent, or Firm* — Banner & Witcoff, Ltd.

(57) **CLAIM**

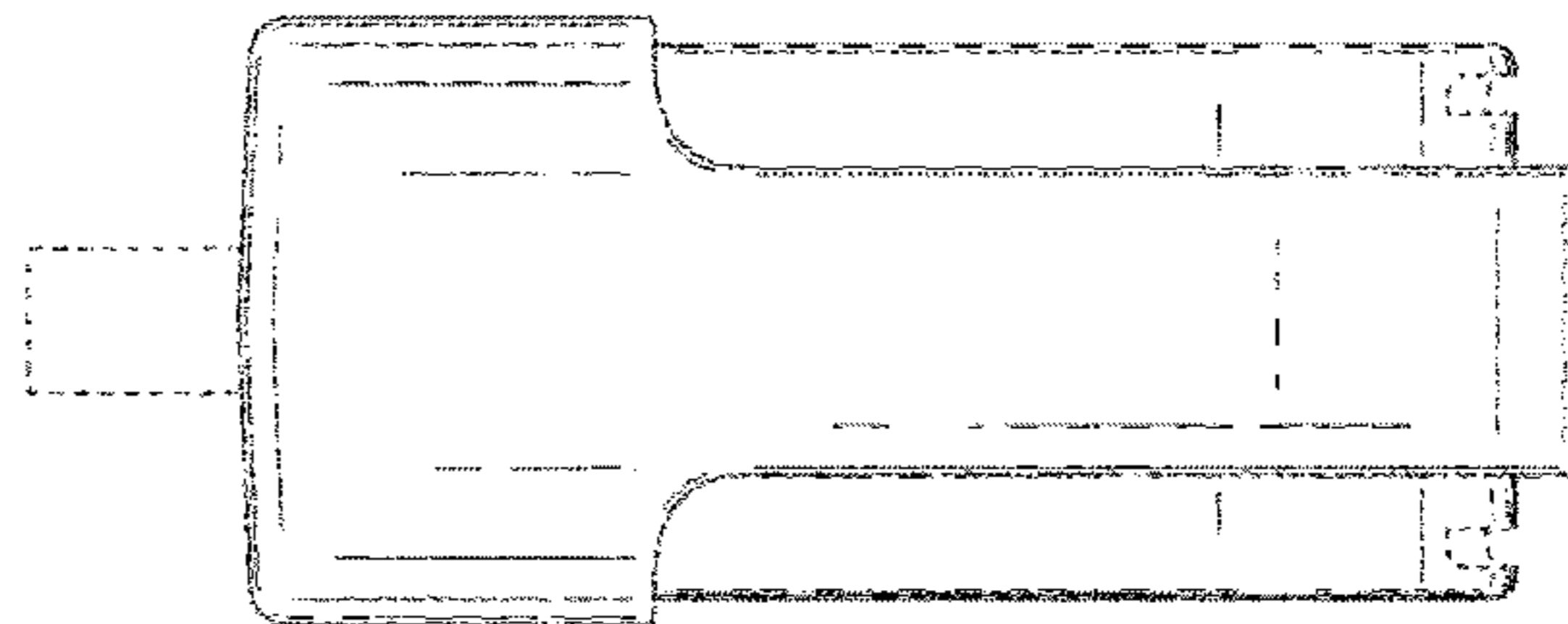
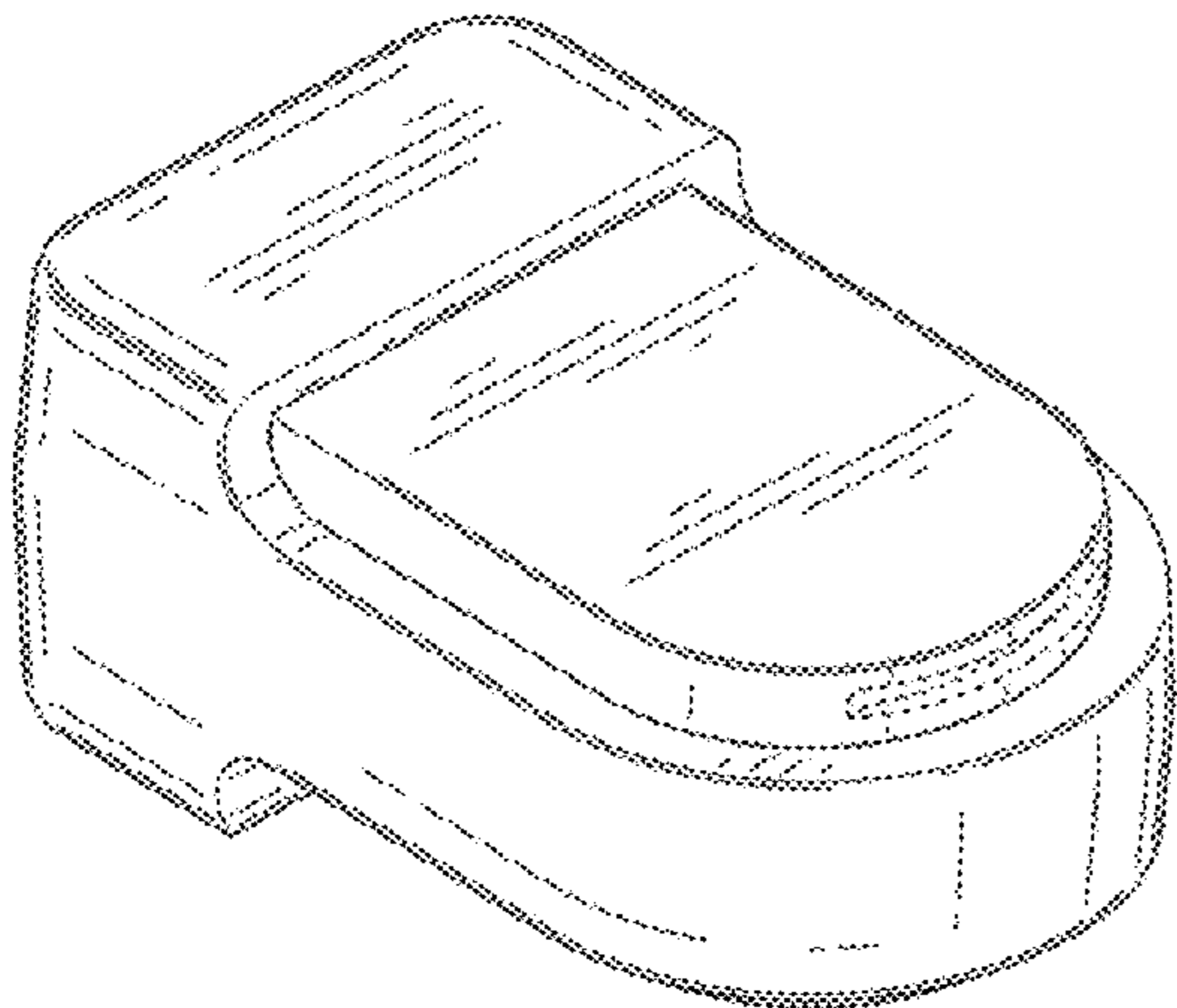
The ornamental design for a housing with electronic data modules, as shown and described.

DESCRIPTION

FIG. 1 is an isometric view of a housing with electronic data modules our showing new design;
FIG. 2 is a front view thereof;
FIG. 3 is a rear view thereof;
FIG. 4 is a right side view thereof;
FIG. 5 is a left side view thereof;
FIG. 6 is a bottom view thereof; and,
FIG. 7 is a top view thereof.

The broken line showings of a peripheral groove in each module and the cable are for the purposes of illustrating portions of the housing for electronic data modules and form no part of the claimed design.

1 Claim, 4 Drawing Sheets



US D670,242 S

Page 2

U.S. PATENT DOCUMENTS

D555,086 S * 11/2007 Zhang D13/103
D584,732 S 1/2009 Cho
D586,795 S 2/2009 Richter
D623,131 S * 9/2010 Kawakami et al. D13/107
D634,269 S * 3/2011 Griffin, Jr. D13/108
8,183,830 B2 * 5/2012 Law 320/110

OTHER PUBLICATIONS

The New Nike+: Sneakers embedded with pressure sensors and accelerometers bring allnew opportunities for athletic performance tracking, [online] Feb. 22, 2012 [retrieved on Sep. 12, 2012]. Retrieved from the Internet <URL: <http://www.coolhunting.com/tech/new-nikeplus.php>>.*

* cited by examiner

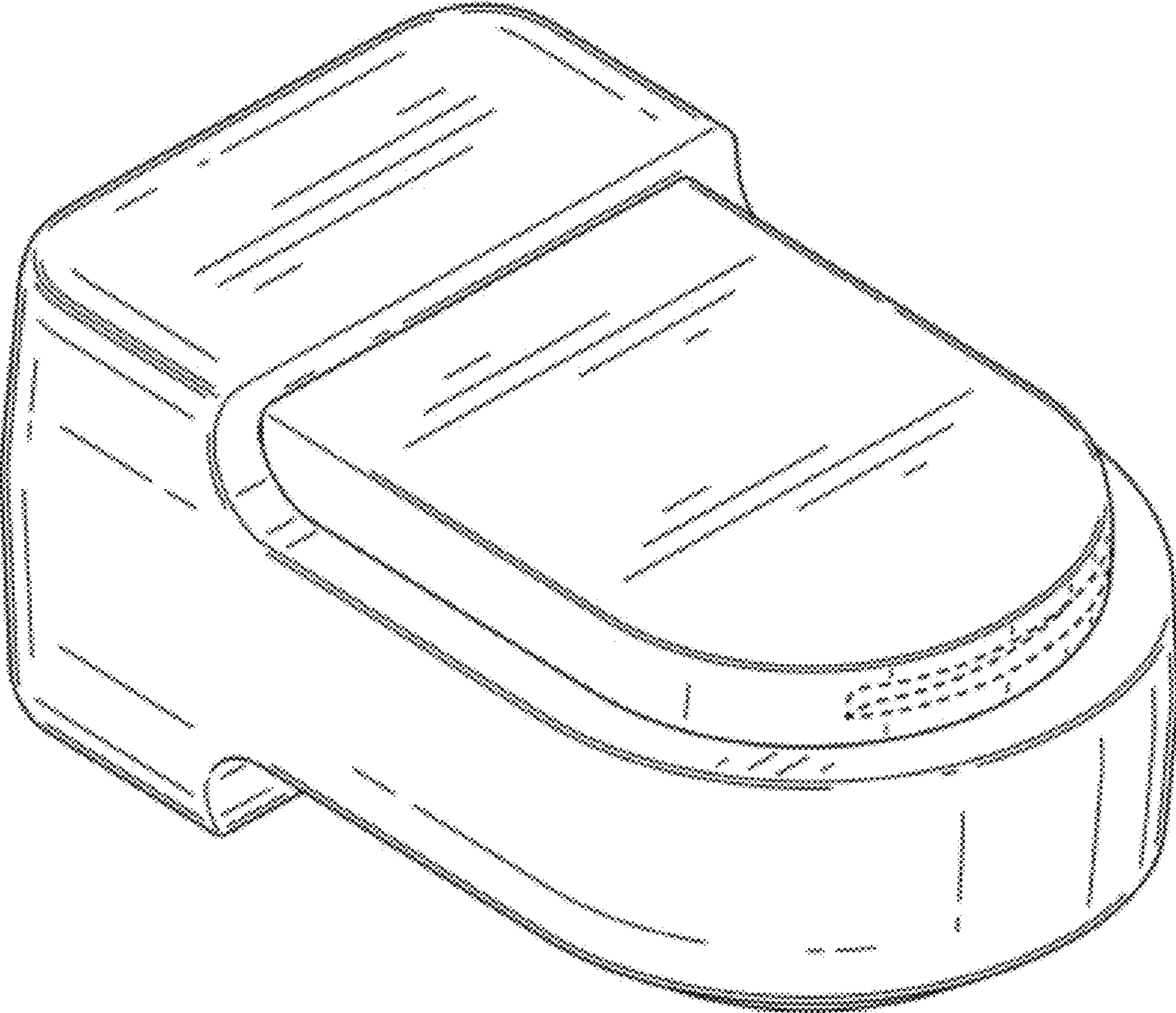


FIG. 1

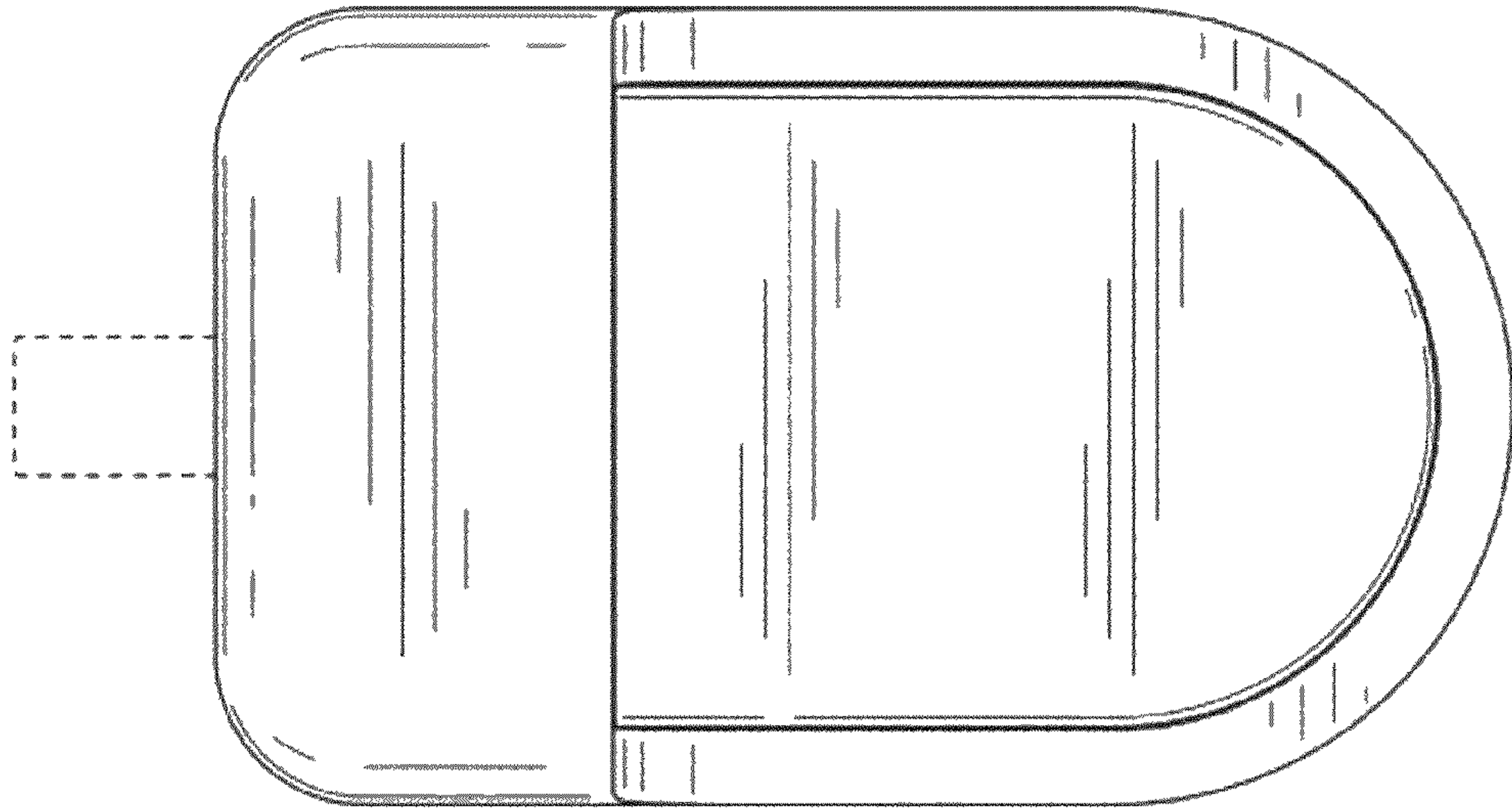


FIG. 2

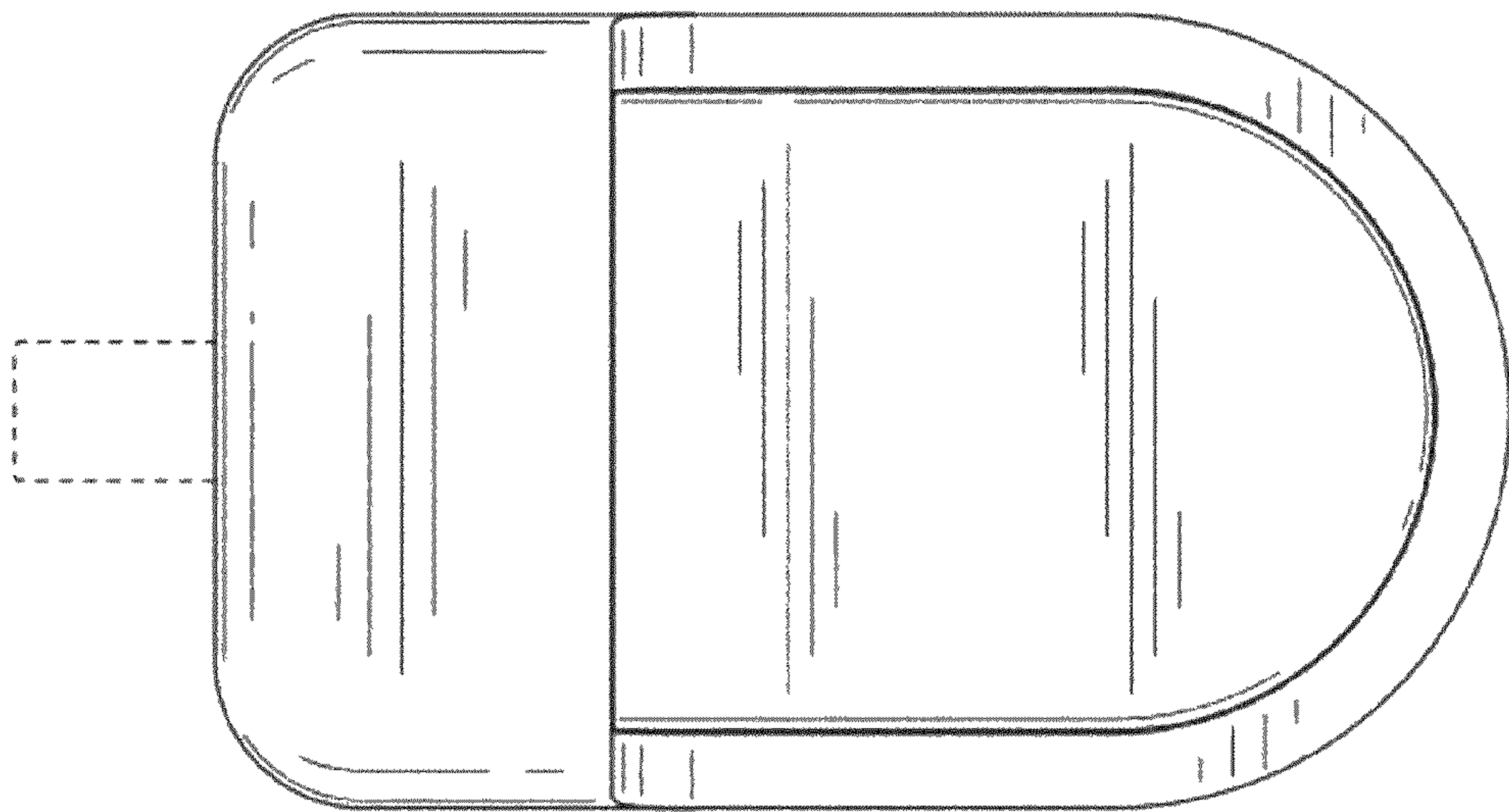


FIG. 3

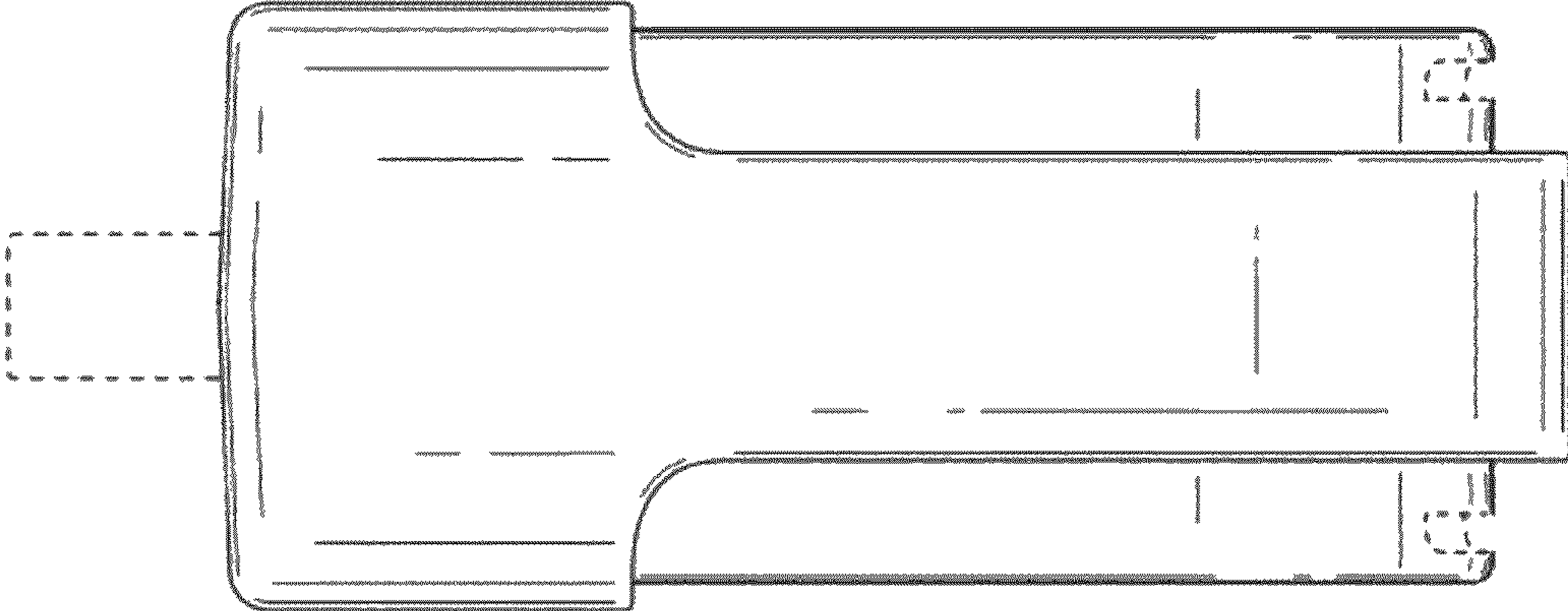


FIG. 4

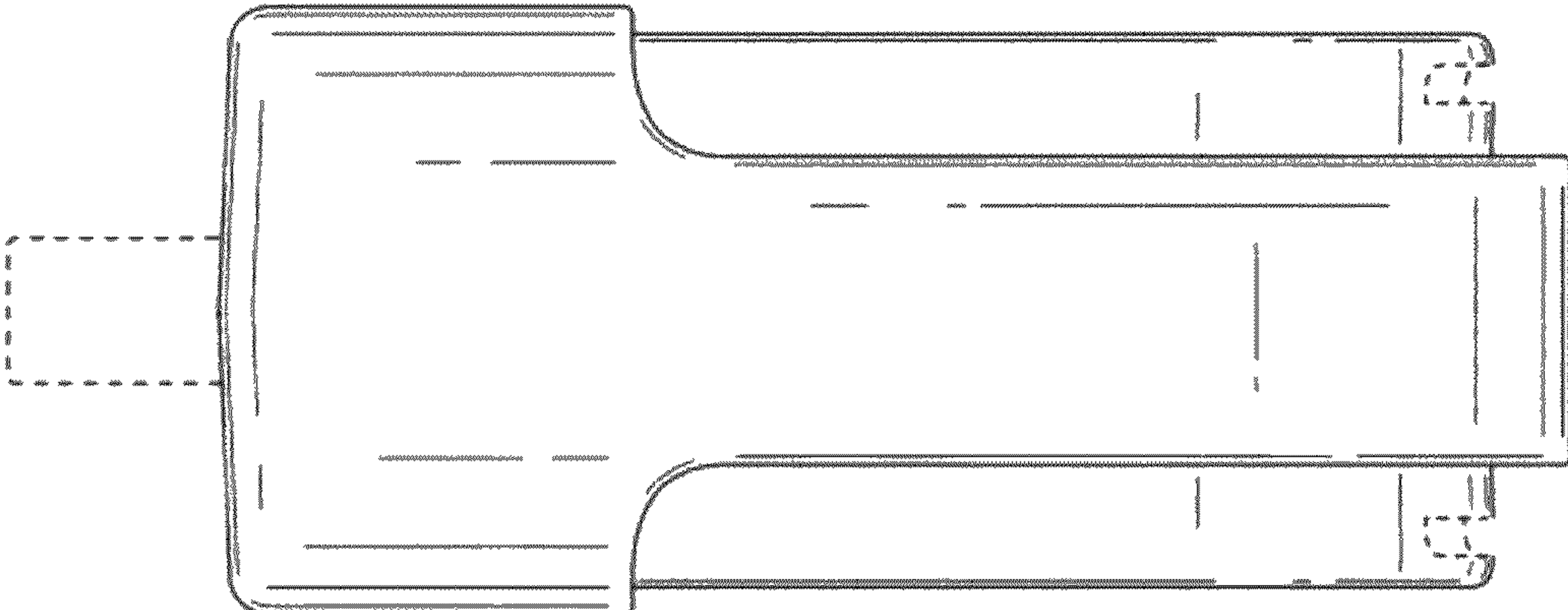


FIG. 5

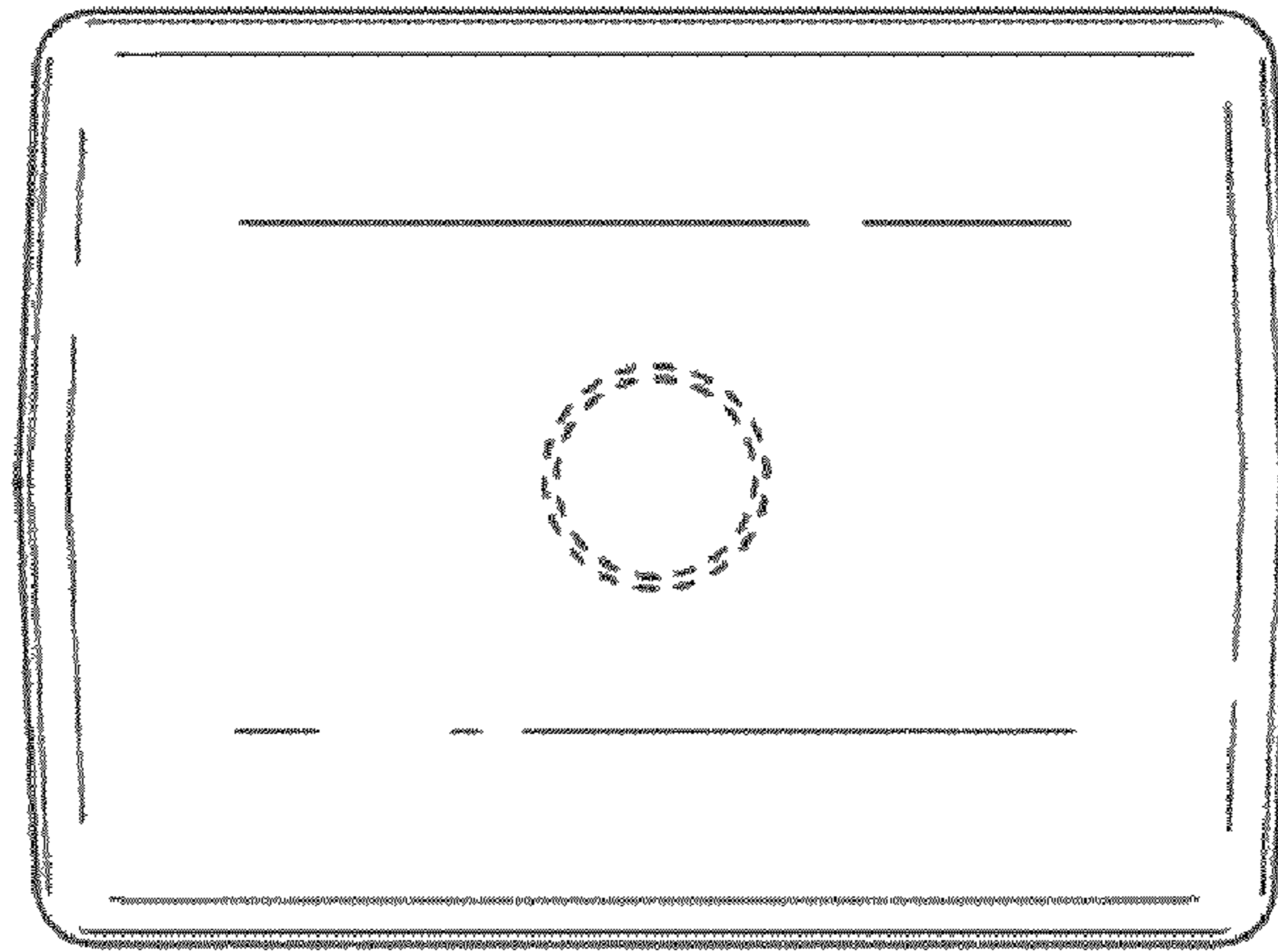


FIG. 6

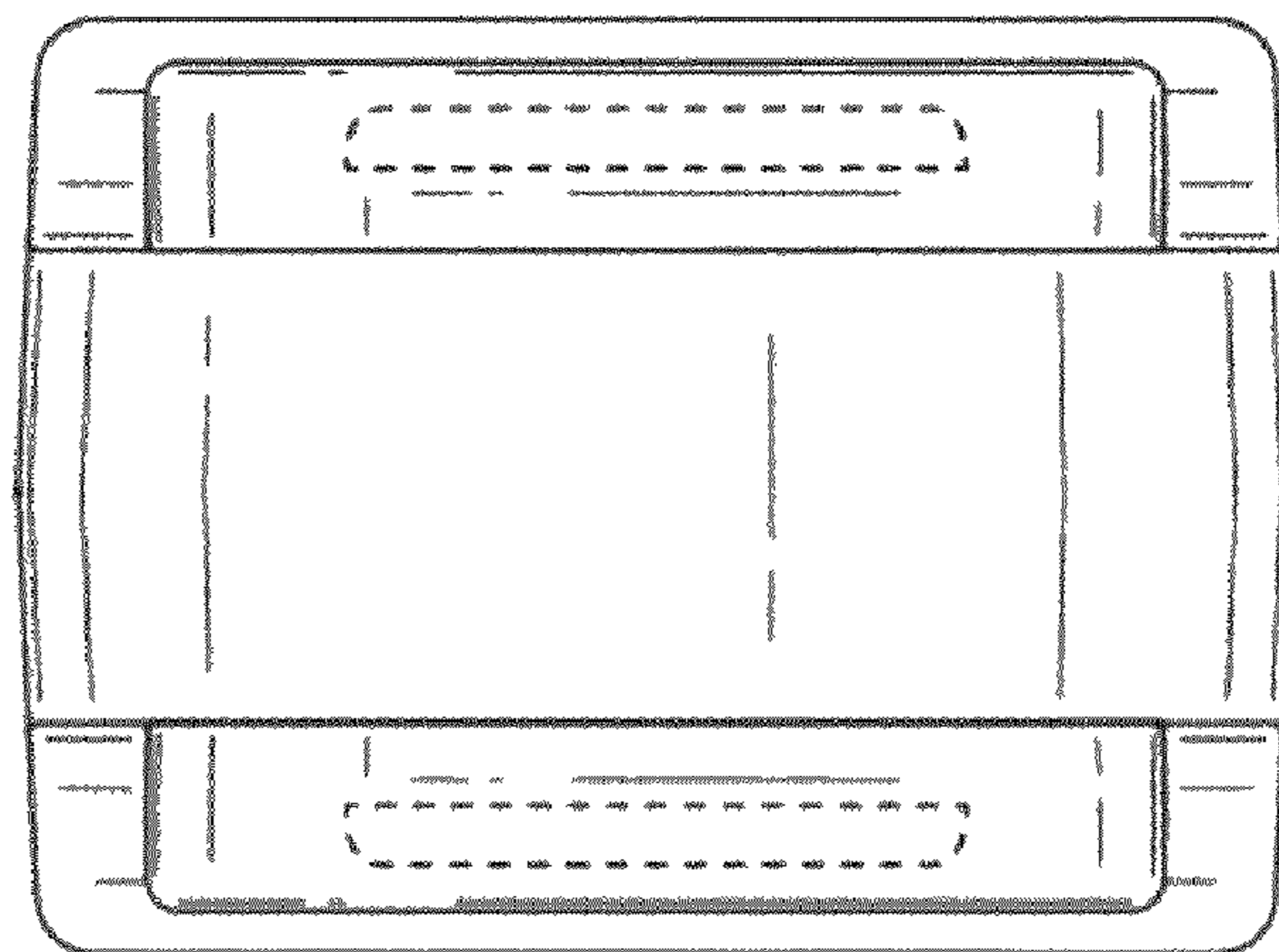


FIG. 7