



US00D670241S

(12) **United States Design Patent**  
**Shaanan**

(10) **Patent No.:** **US D670,241 S**

(45) **Date of Patent:** **\*\* Nov. 6, 2012**

(54) **CHARGING STATION**

(75) Inventor: **Gad Shaanan**, La Jolla, CA (US)

(73) Assignee: **QUALCOMM Incorporated**, San Diego, CA (US)

(\*\*) Term: **14 Years**

(21) Appl. No.: **29/409,284**

(22) Filed: **Dec. 21, 2011**

(51) **LOC (9) Cl.** ..... **13-02**

(52) **U.S. Cl.** ..... **D13/107**

(58) **Field of Classification Search** ..... D13/107-110,  
D13/118-119, 184; D14/251, 253, 432,  
D14/434; 320/107-115

See application file for complete search history.

(56) **References Cited**

**U.S. PATENT DOCUMENTS**

D307,016 S *	4/1990	Watanabe	.....	D14/240
D361,979 S *	9/1995	Shirakawa et al.	.....	D13/108
D372,219 S *	7/1996	Schechtel et al.	.....	D13/108
D428,597 S *	7/2000	Murata et al.	.....	D13/108
D534,912 S *	1/2007	Tagliabue et al.	.....	D14/434
D562,762 S *	2/2008	Saddlemire et al.	.....	D13/108

D566,041 S *	4/2008	Stratford	.....	D13/108
D605,111 S *	12/2009	Schoch	.....	D13/107
D634,270 S *	3/2011	Brickstad	.....	D13/108
D636,723 S *	4/2011	Yamamoto et al.	.....	D13/107
D637,951 S *	5/2011	Perez	.....	D13/108
2011/0181243 A1 *	7/2011	Mabuchi et al.	.....	320/112

\* cited by examiner

*Primary Examiner* — Rosemary K Tarcza

(74) *Attorney, Agent, or Firm* — James T. Hagler

(57) **CLAIM**

The ornamental design for a charging station, as shown and described.

**DESCRIPTION**

FIG. 1 is a right/top side perspective view of the charging station design.

FIG. 2 is a top view of the charging station design.

FIG. 3 is a bottom view of the charging station design.

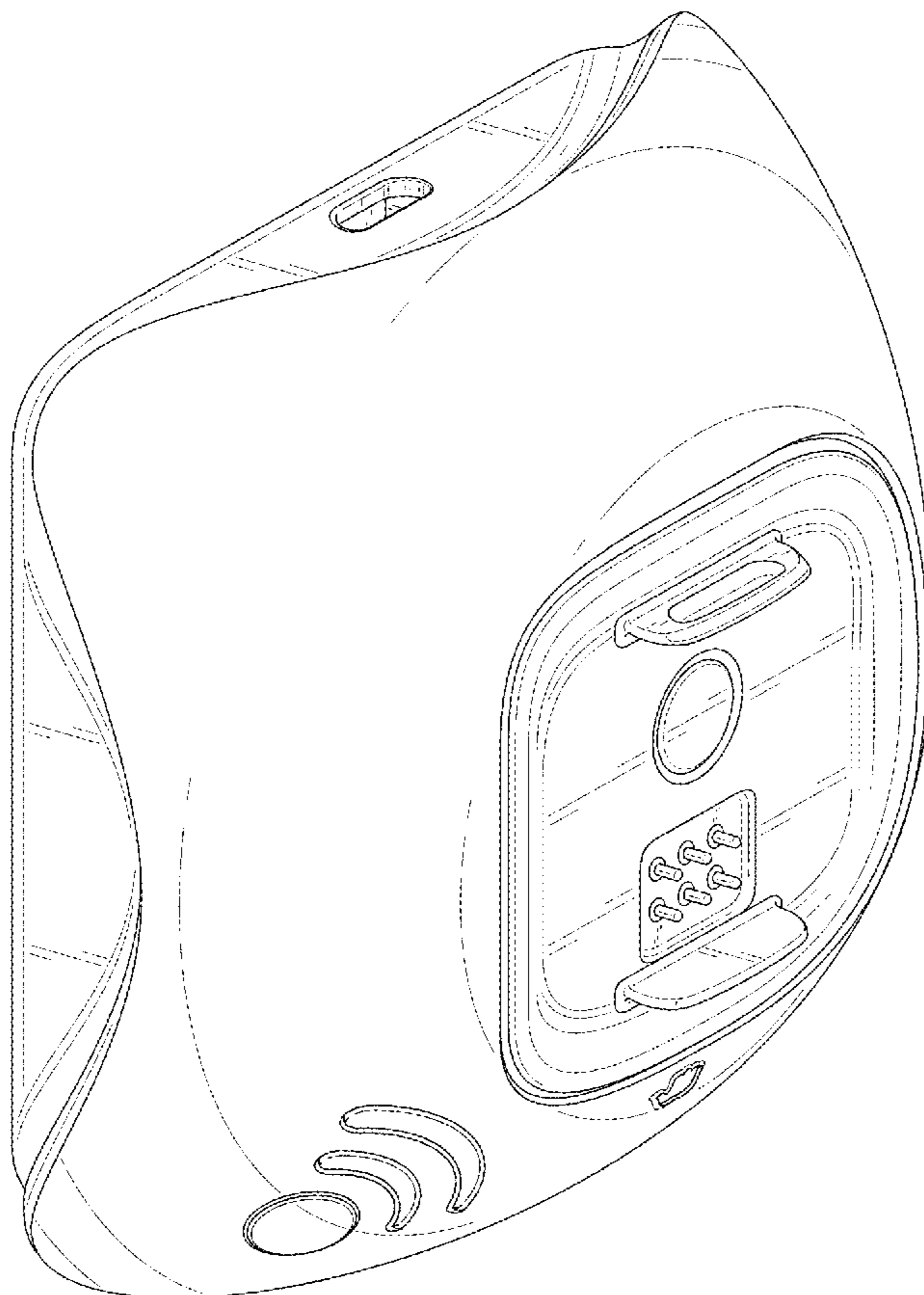
FIG. 4 is a right side view of the charging station design.

FIG. 5 is a left side view of the charging station design.

FIG. 6 is a back view of the charging station design; and,

FIG. 7 is a front view of the charging station design.

**1 Claim, 7 Drawing Sheets**



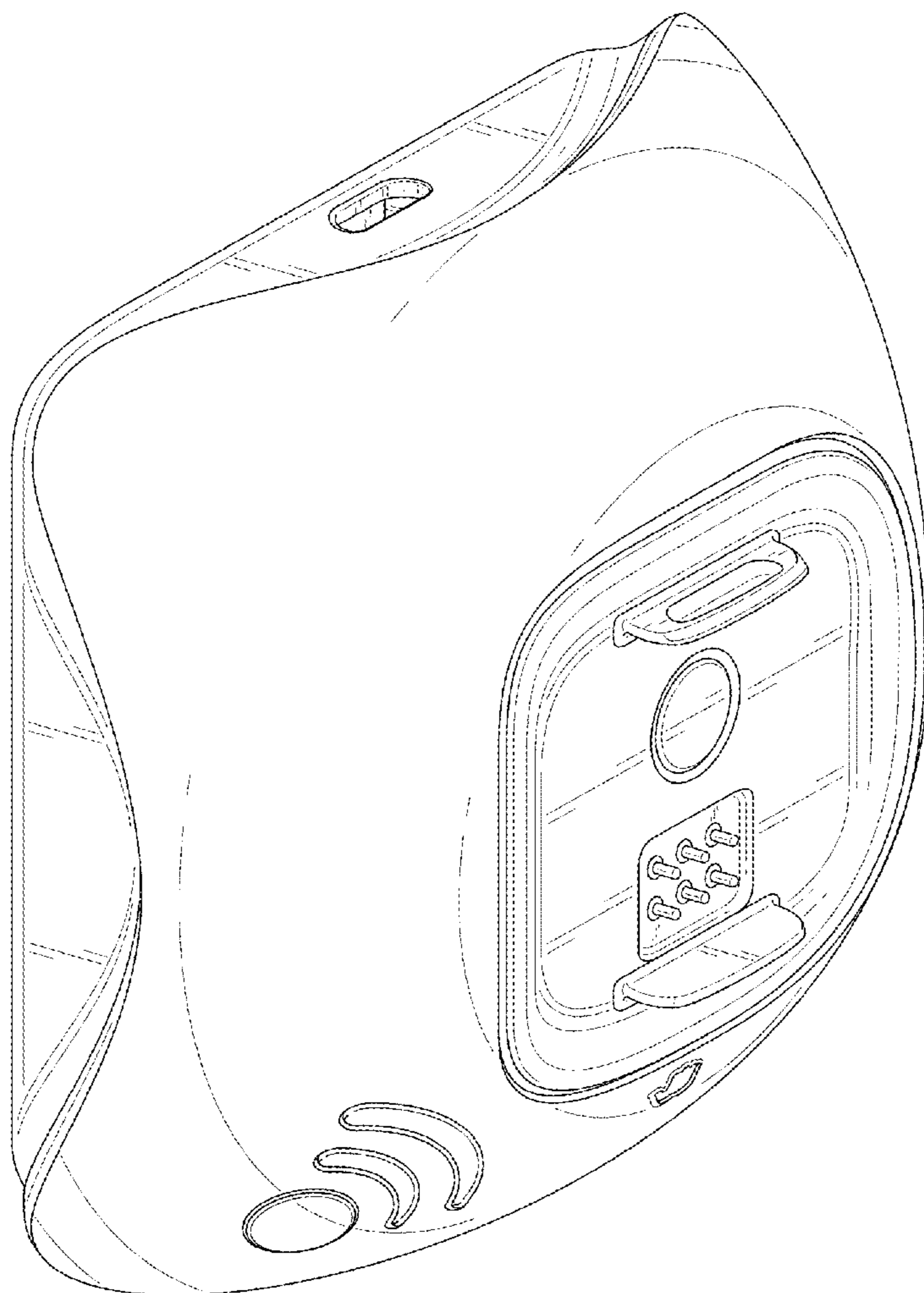


FIG. 1

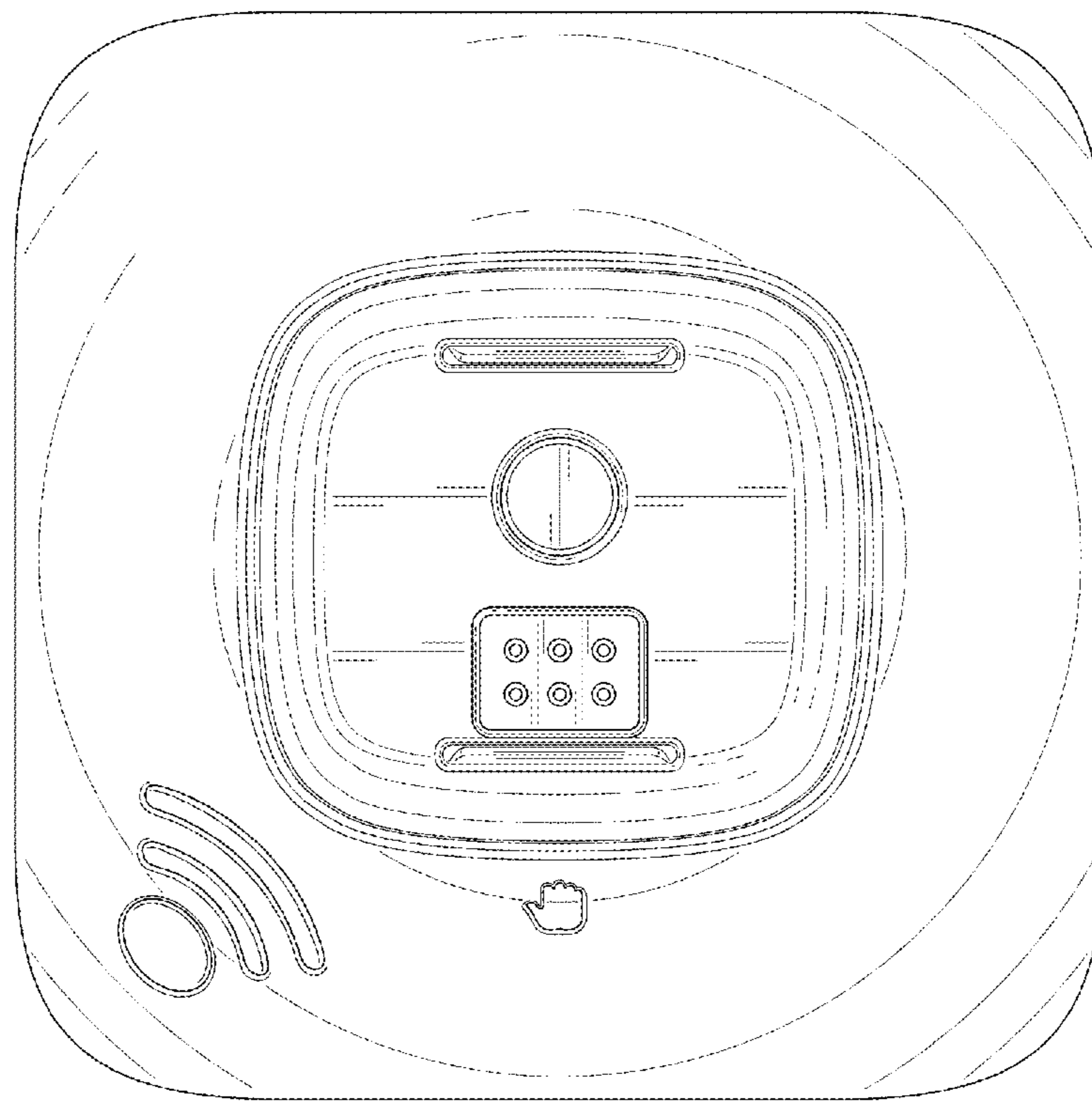


FIG. 2

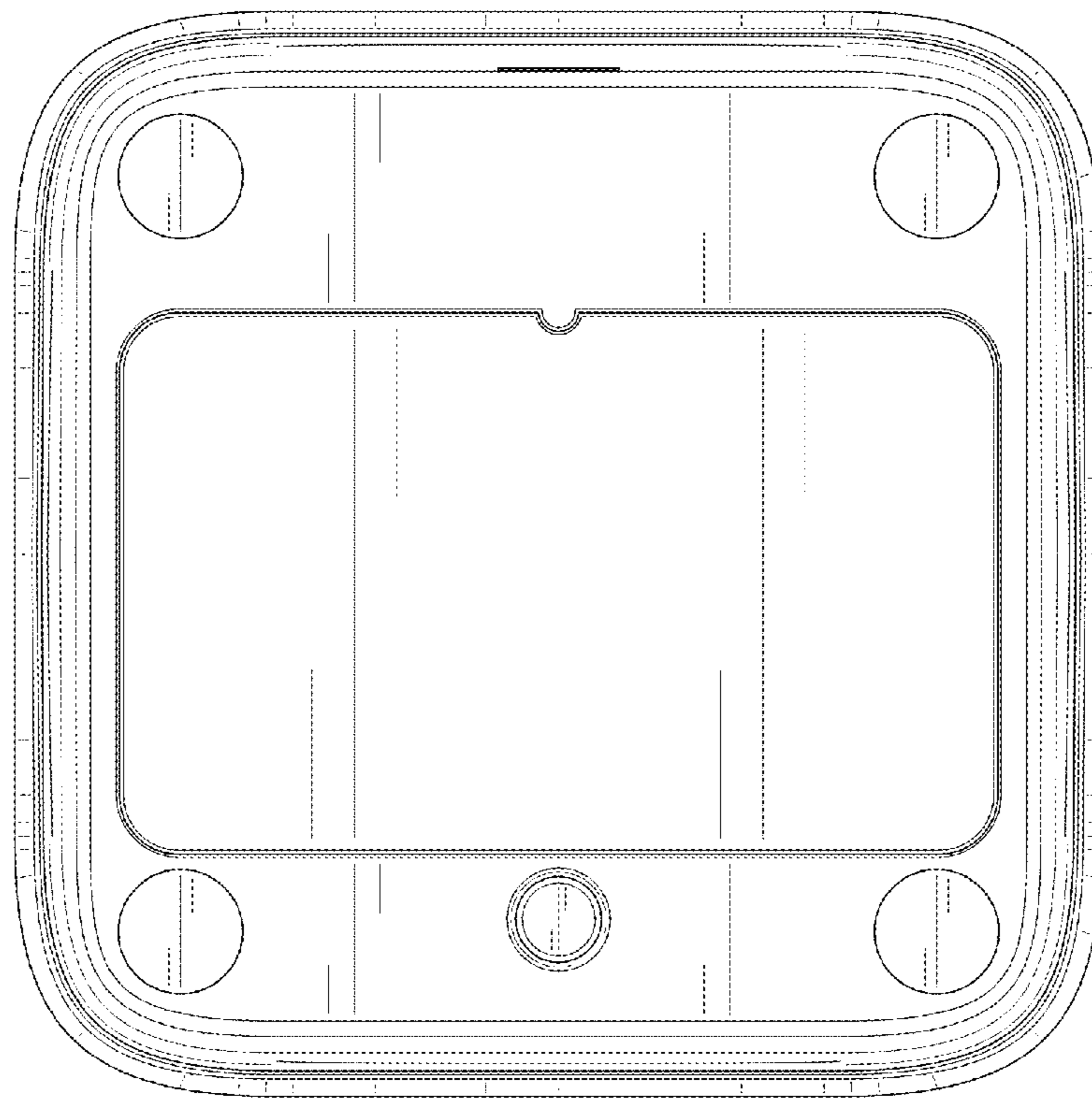


FIG. 3

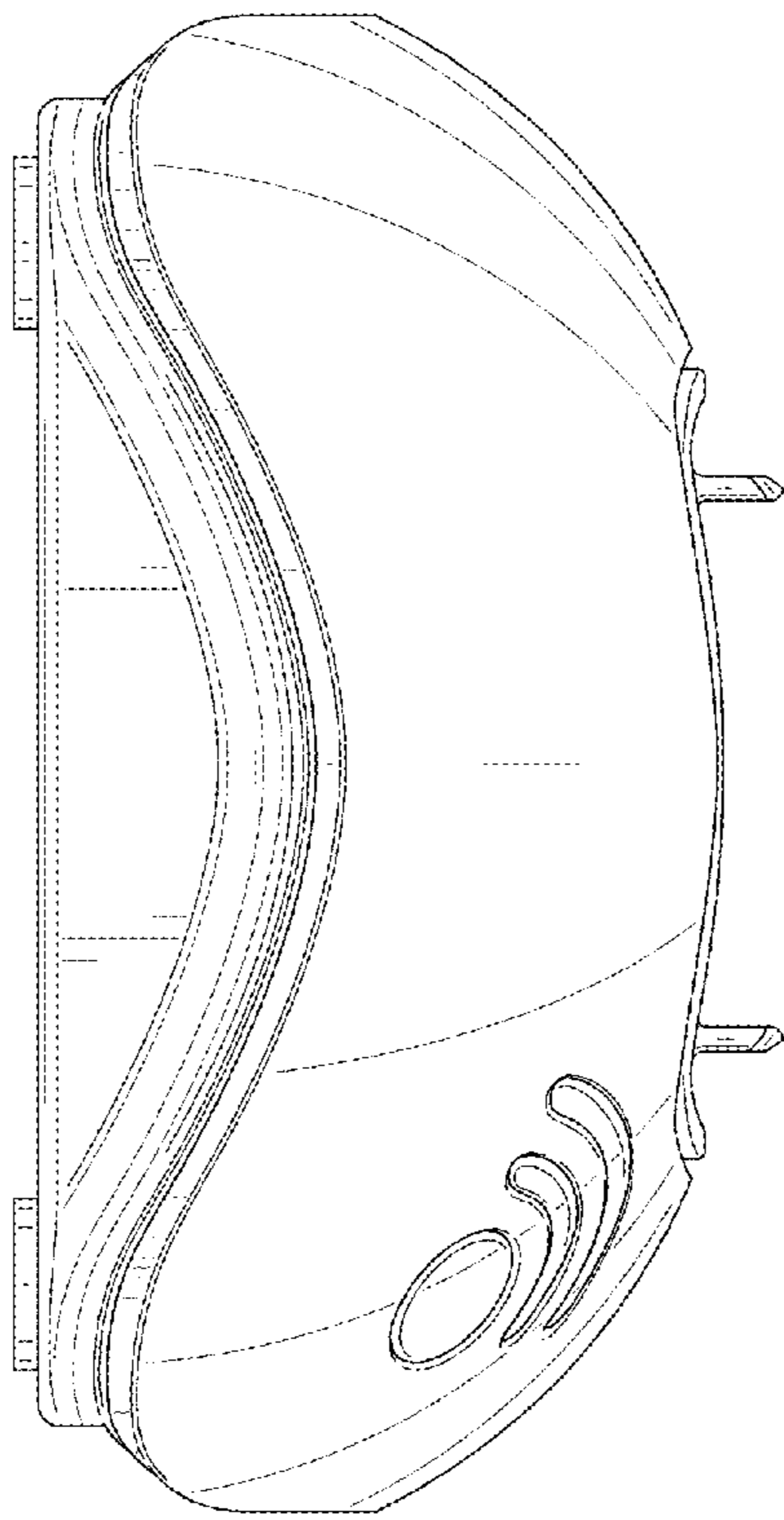


FIG. 4

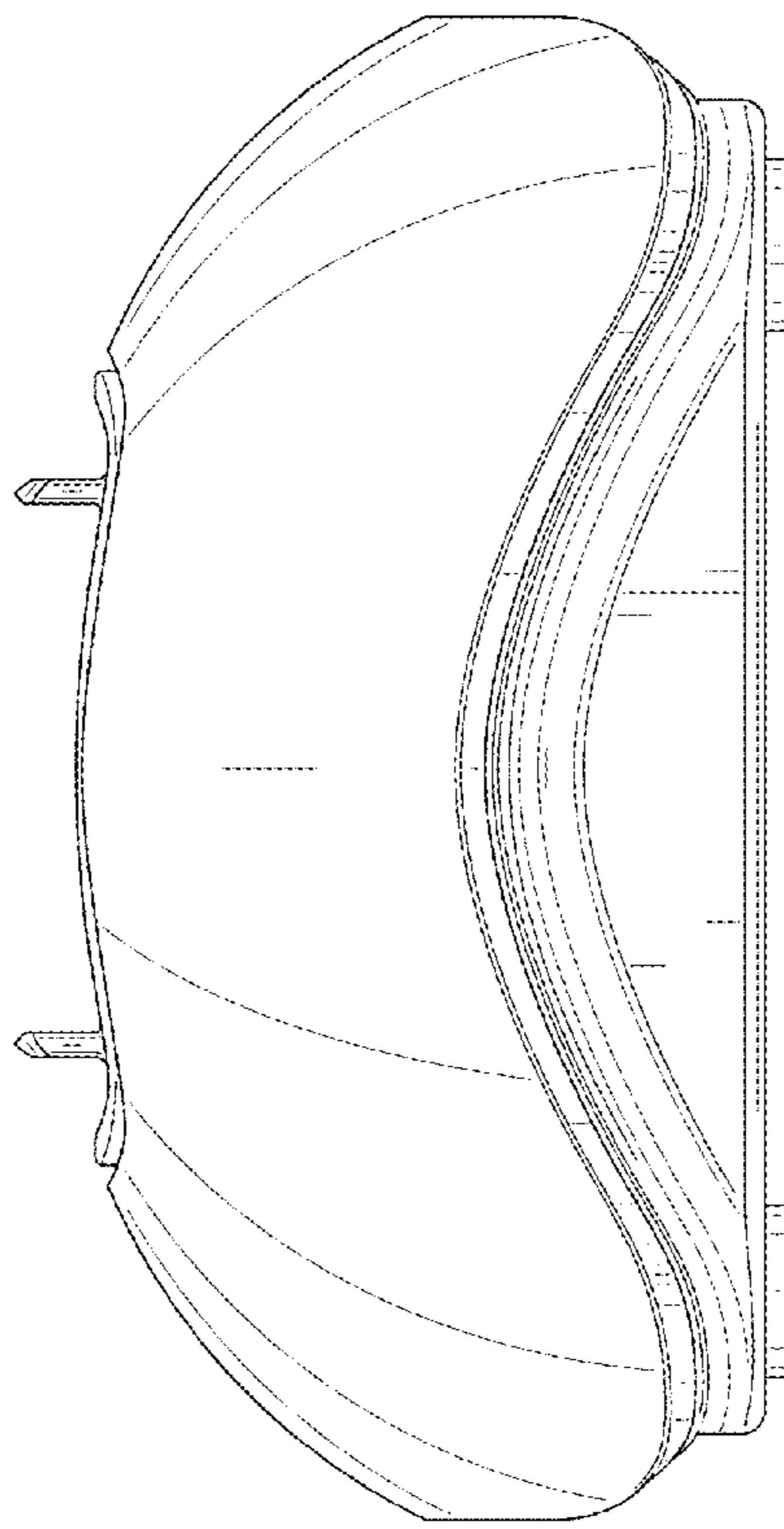


FIG. 5

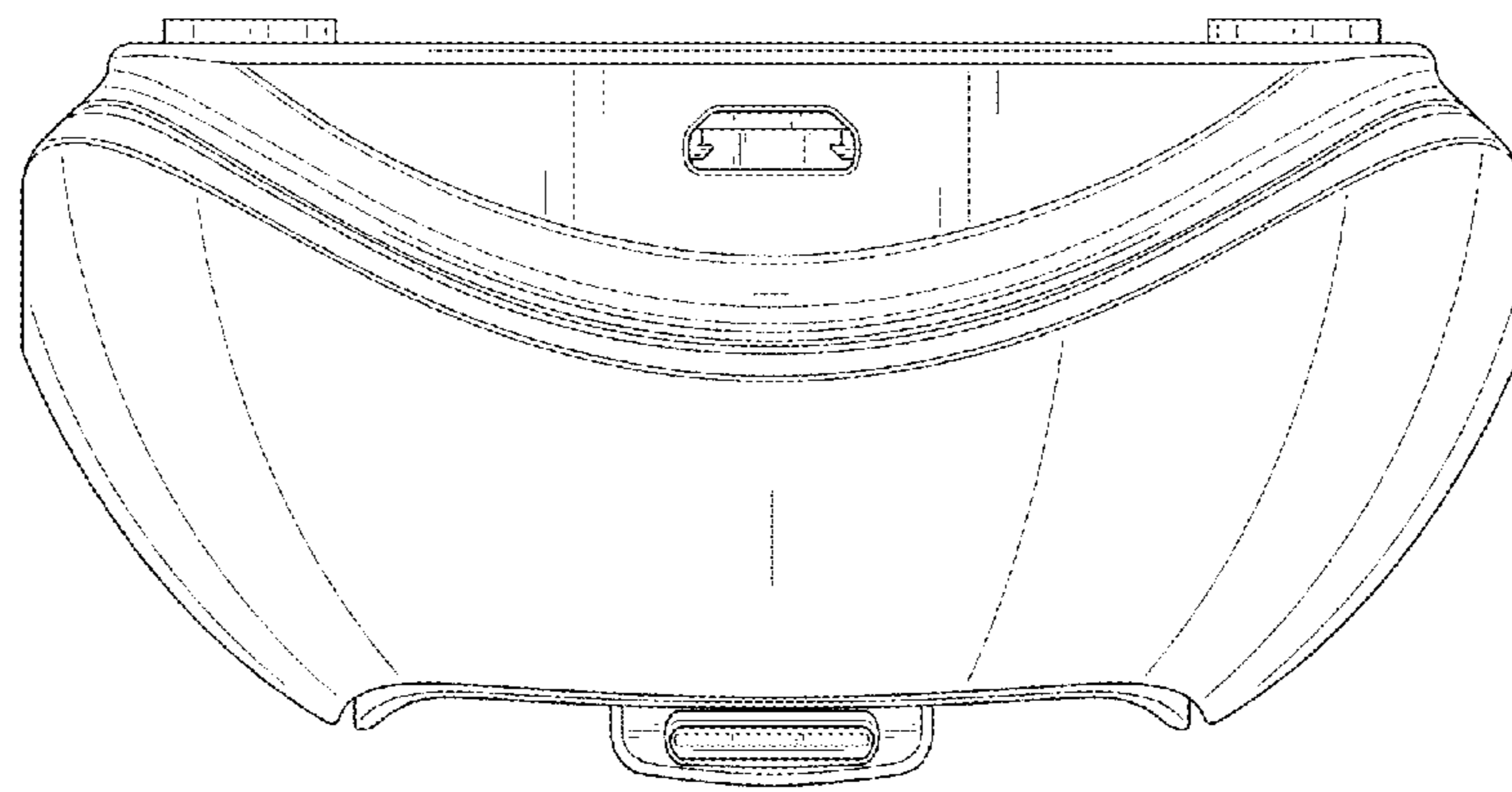


FIG. 6

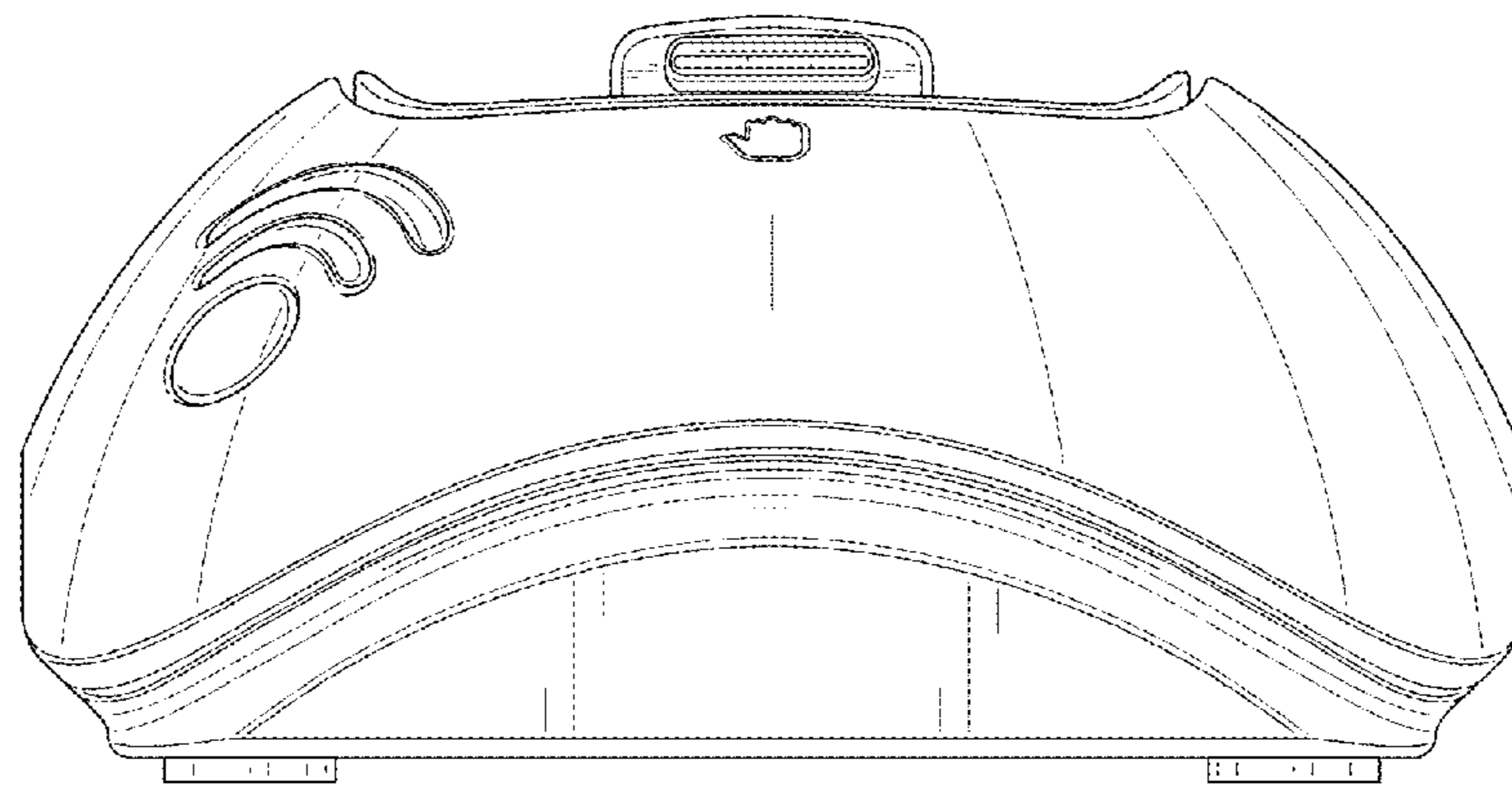


FIG. 7