



US00D670240S

(12) **United States Design Patent**  
**Morisawa**

(10) **Patent No.:** **US D670,240 S**

(45) **Date of Patent:** **\*\* Nov. 6, 2012**

(54) **RECHARGEABLE BATTERY**

(75) Inventor: **Yujin Morisawa**, Tokyo (JP)

(73) Assignee: **Sony Corporation**, Tokyo (JP)

(\*\*) Term: **14 Years**

(21) Appl. No.: **29/371,830**

(22) Filed: **Oct. 19, 2011**

(30) **Foreign Application Priority Data**

Apr. 22, 2011 (CN) ..... 2011 3 0086121  
Apr. 25, 2011 (JP) ..... D2011-009515

(51) **LOC (9) Cl.** ..... **13-02**

(52) **U.S. Cl.** ..... **D13/103**

(58) **Field of Classification Search** ..... D13/102-106,  
D13/110, 118-119, 184; 429/96-100, 163,  
429/176

See application file for complete search history.

(56) **References Cited**

**U.S. PATENT DOCUMENTS**

D303,524 S \* 9/1989 Siegner et al. .... D14/438  
D409,140 S \* 5/1999 Endo ..... D13/119  
D425,015 S \* 5/2000 Iwamoto ..... D13/103  
D485,530 S \* 1/2004 Ogasawara ..... D13/103  
D488,437 S 4/2004 Ogasawara  
D532,363 S \* 11/2006 Morisawa ..... D13/103

D625,263 S \* 10/2010 Takuma ..... D13/119  
D635,506 S \* 4/2011 Morisawa ..... D13/103  
D637,157 S \* 5/2011 Andre et al. .... D13/119  
D653,611 S \* 2/2012 Lee et al. .... D13/102  
D655,673 S \* 3/2012 Masui ..... D13/103  
D658,583 S \* 5/2012 Andre et al. .... D13/119

\* cited by examiner

*Primary Examiner* — Rosemary K Tarcza

(74) *Attorney, Agent, or Firm* — Rader, Fishman & Grauer  
PLLC

(57) **CLAIM**

The ornamental design for a rechargeable battery, as shown  
and described.

**DESCRIPTION**

FIG. 1 is a front, top, right perspective view of a rechargeable  
battery showing my new design;

FIG. 2 is a front, top, left perspective view thereof;

FIG. 3 is a front elevational view thereof;

FIG. 4 is a rear elevational view thereof;

FIG. 5 is a left side elevational view thereof;

FIG. 6 is a right side elevational view thereof; and

FIG. 7 is a top plan view thereof; and,

FIG. 8 is a bottom plan view thereof.

Portions shown as broken lines are for illustrative purposes  
only and form no part of the claimed design. Dot-dash lines  
define the boundaries of, but not included in, the claimed  
design.

**1 Claim, 5 Drawing Sheets**

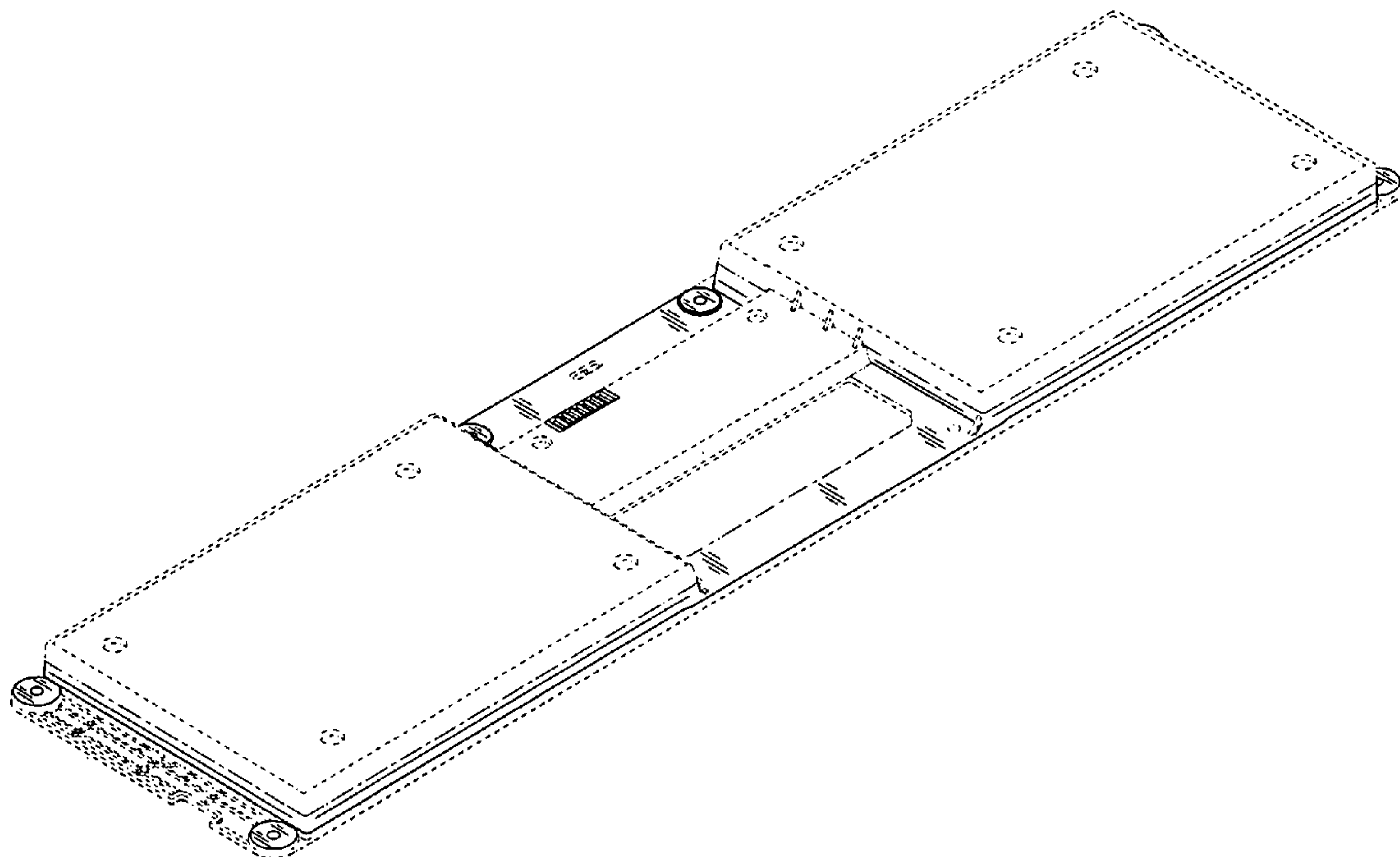
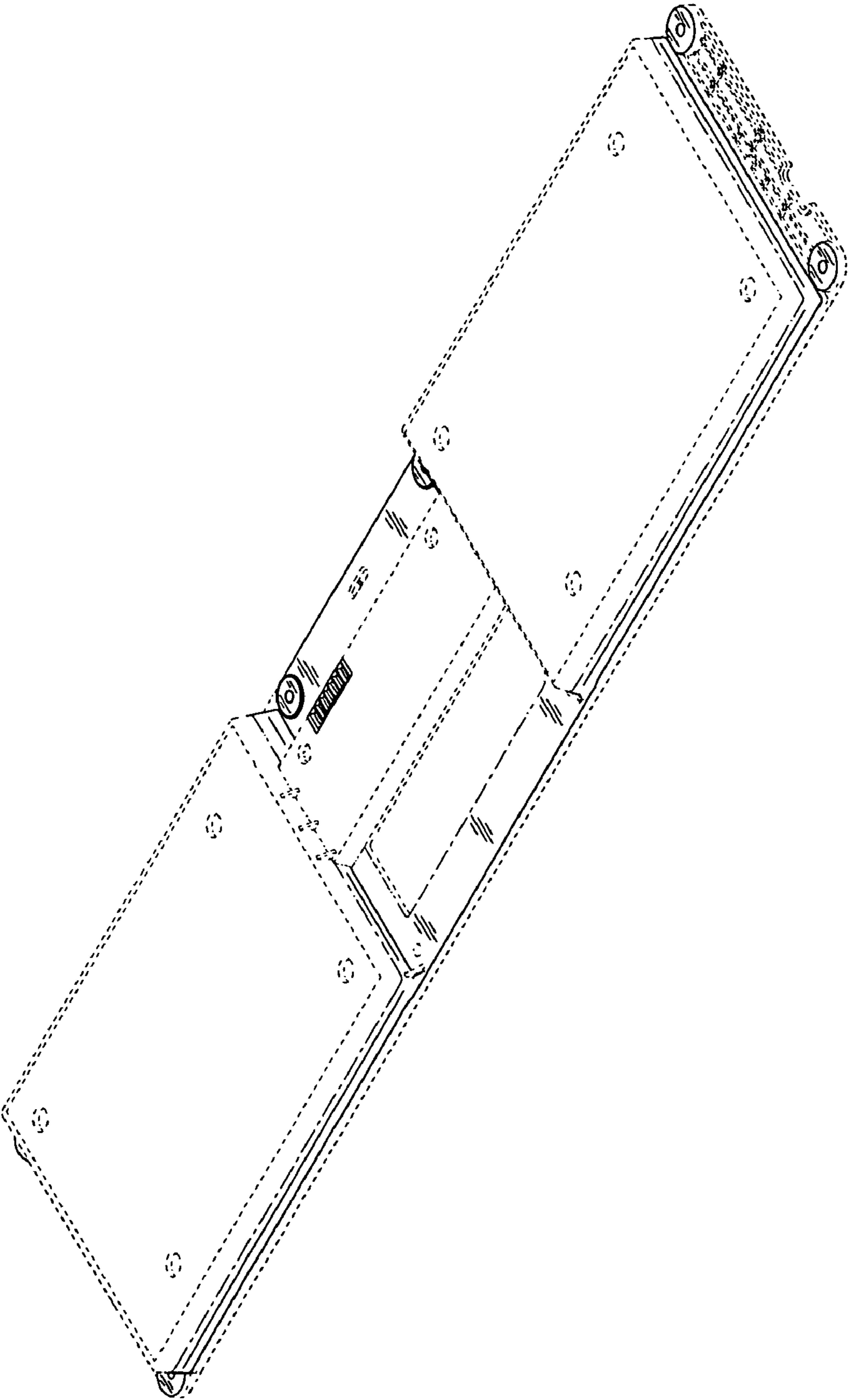


FIG.1



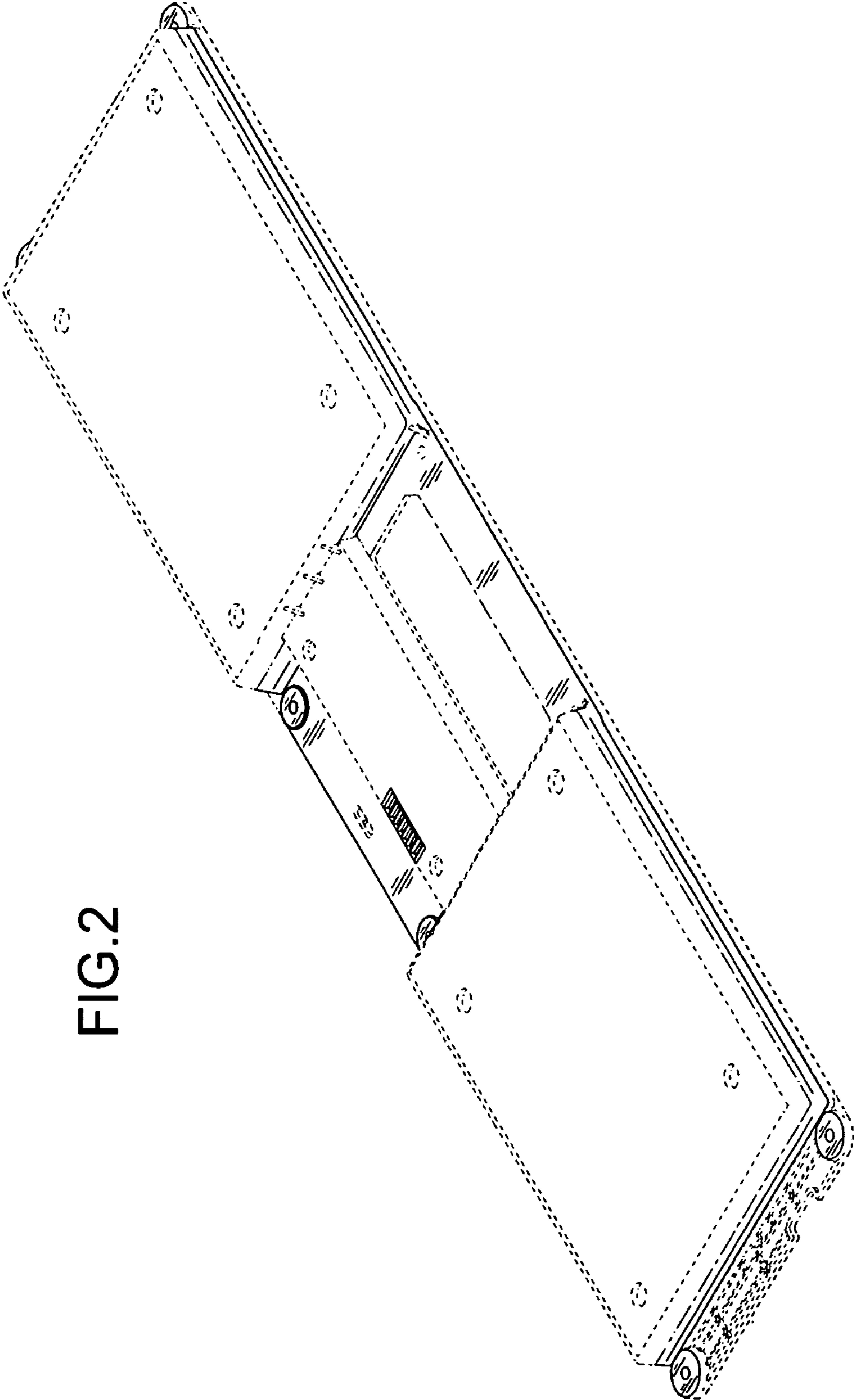


FIG.2

FIG.3

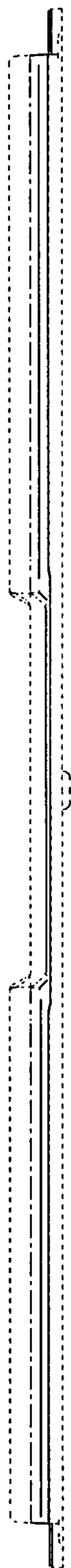


FIG.4



FIG.5

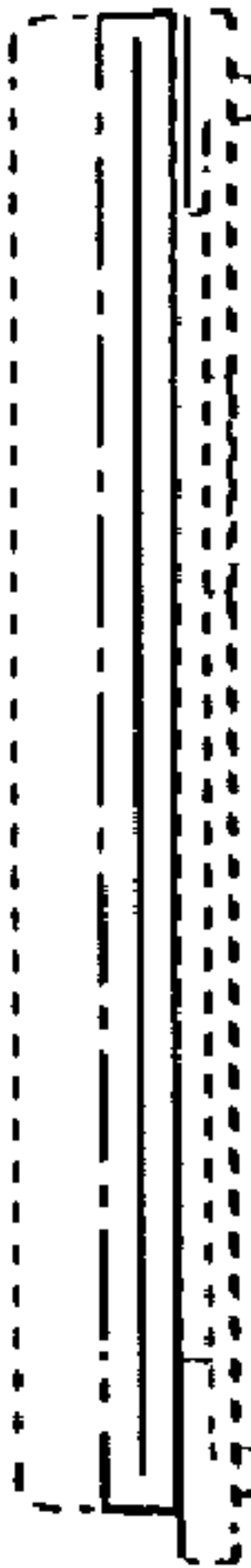


FIG.6



FIG.7

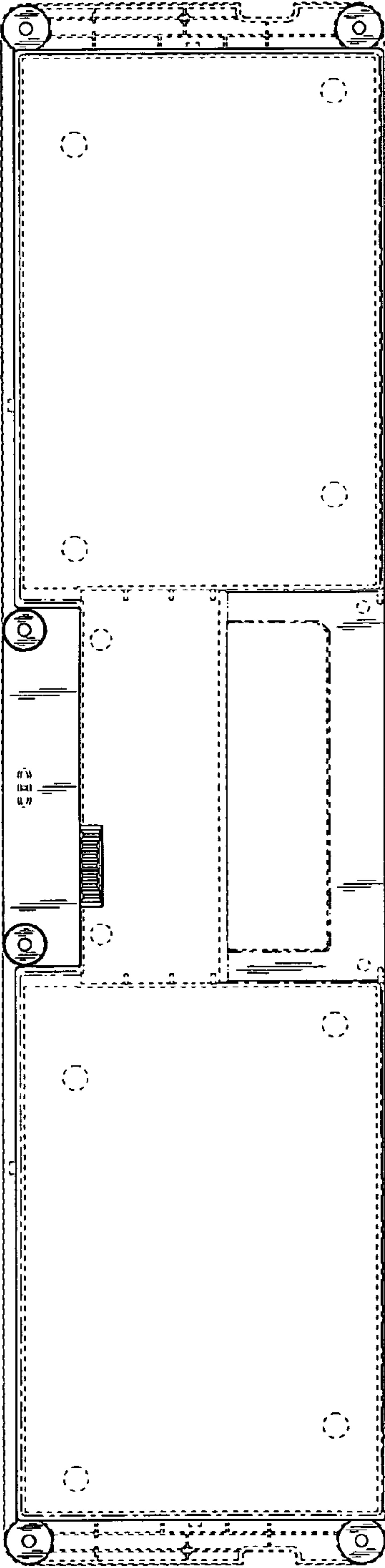


FIG.8

