



US00D670239S

(12) **United States Design Patent**
Kannou et al.

(10) **Patent No.:** **US D670,239 S**
(45) **Date of Patent:** **** Nov. 6, 2012**

(54) **SOLAR BATTERY**

(75) Inventors: **Hiroyuki Kannou**, Moriguchi (JP);
Yousuke Ishii, Moriguchi (JP);
Tomonori Tabe, Moriguchi (JP); **Yu**
Maruyama, Moriguchi (JP); **Kengo**
Matsune, Moriguchi (JP); **Koutarou**
Sumitomo, Moriguchi (JP)

(73) Assignee: **SANYO Electric Co., Ltd.**,
Moriguchi-shi, Osaka (JP)

(**) Term: **14 Years**

(21) Appl. No.: **29/379,989**

(22) Filed: **Nov. 29, 2010**

(30) **Foreign Application Priority Data**

May 28, 2010 (JP) 2010-013229
May 28, 2010 (JP) 2010-013230

(51) **LOC (9) Cl.** **13-02**

(52) **U.S. Cl.** **D13/102**

(58) **Field of Classification Search** D13/102,
D13/101, 103, 107, 108, 110, 199; 126/569;
136/206, 243, 244, 245, 251, 252; 320/101;
323/906

See application file for complete search history.

(56) **References Cited**

U.S. PATENT DOCUMENTS

D263,393 S * 3/1982 Lindmayer D13/102
4,789,641 A * 12/1988 Inuzuka 438/62
D353,129 S * 12/1994 Ricaud et al. D13/102
6,291,761 B1 * 9/2001 Takada et al. 136/244
D555,083 S * 11/2007 Sharma et al. D13/102

7,388,146 B2 * 6/2008 Fraas et al. 136/246
D591,229 S * 4/2009 Sharma et al. D13/102
D601,087 S * 9/2009 Feng et al. D13/102
D617,266 S * 6/2010 Sasada et al. D13/102
2007/0261731 A1 * 11/2007 Abe et al. 136/244
2008/0223439 A1 * 9/2008 Deng et al. 136/258

* cited by examiner

Primary Examiner — Derrick Holland

(74) *Attorney, Agent, or Firm* — Westerman, Hattori,
Daniels & Adrian, LLP

(57) **CLAIM**

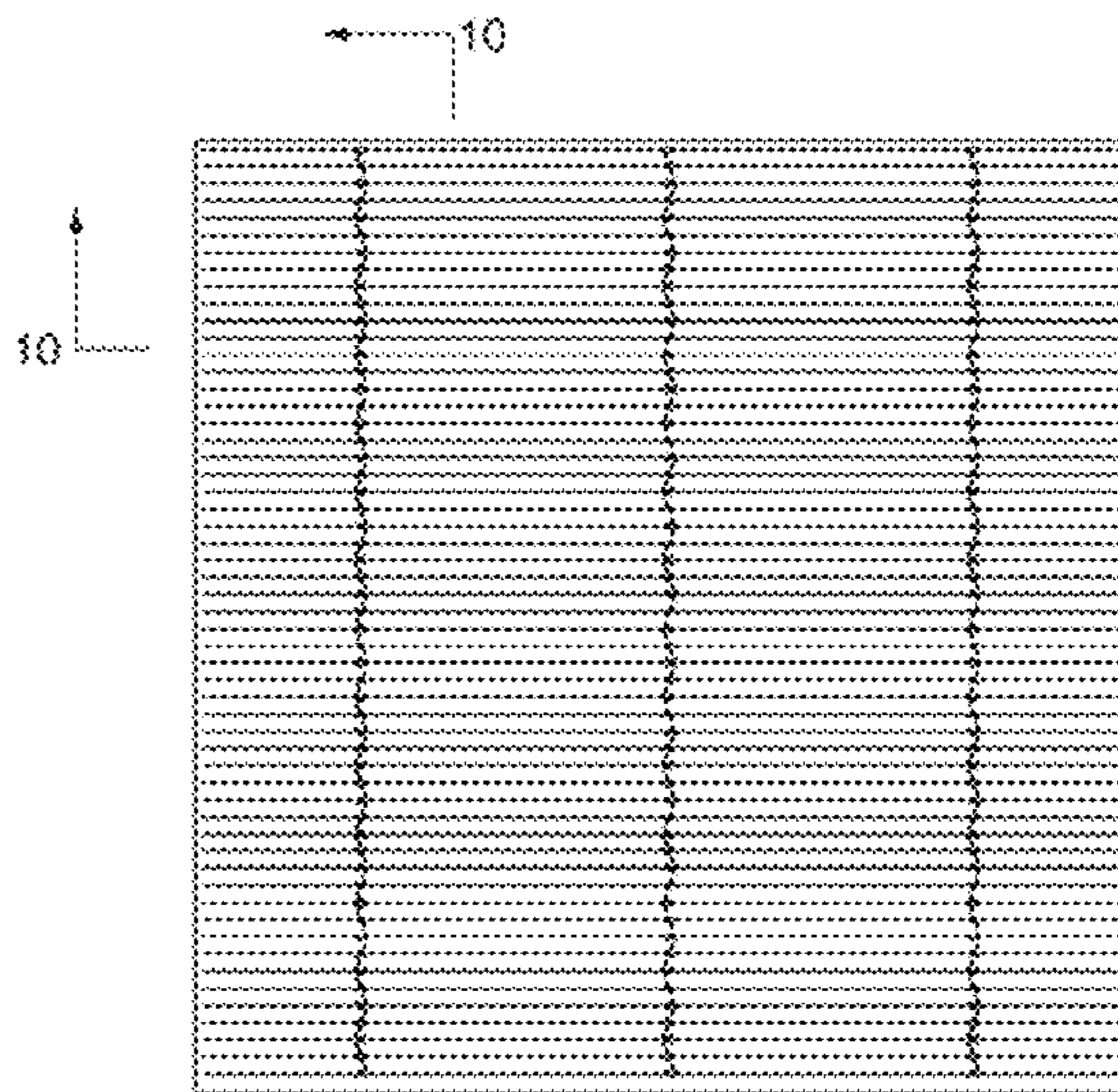
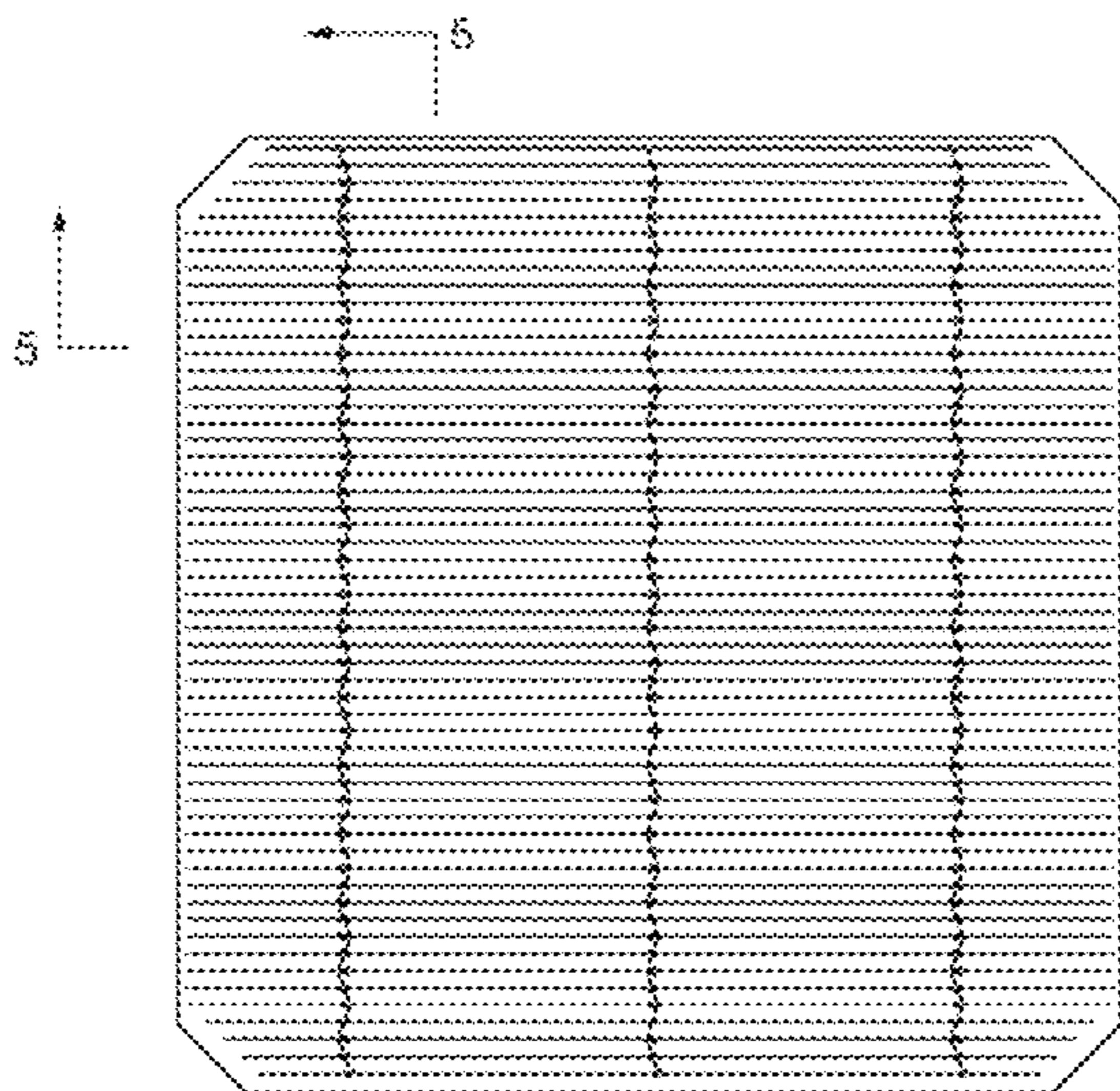
The ornamental design for a solar battery, as shown and
described.

DESCRIPTION

FIG. 1 is a front elevational view of a first embodiment of a
solar battery showing our new design;
FIG. 2 is a rear elevational view thereof;
FIG. 3 is a top plan view thereof, the bottom plan view thereof
being identical thereto;
FIG. 4 is a right side elevational view thereof, the left side
elevational view being a mirror image thereof;
FIG. 5 is an enlarged view thereof, taken along lines 5-5 of
FIG. 1;
FIG. 6 is a front elevational view of a second embodiment of
a solar battery showing our new design;
FIG. 7 is a rear elevational view thereof;
FIG. 8 is a top plan view thereof, the bottom plan view thereof
being identical thereto;
FIG. 9 is a right side elevational view thereof, the left side
elevational view being a mirror image thereof; and,
FIG. 10 is an enlarged view thereof, taken along lines 10-10 of
FIG. 6.

The dot-dash lines shown in FIGS. 5 and 10 represent an
unclaimed border and form no part of the claimed design.

1 Claim, 8 Drawing Sheets



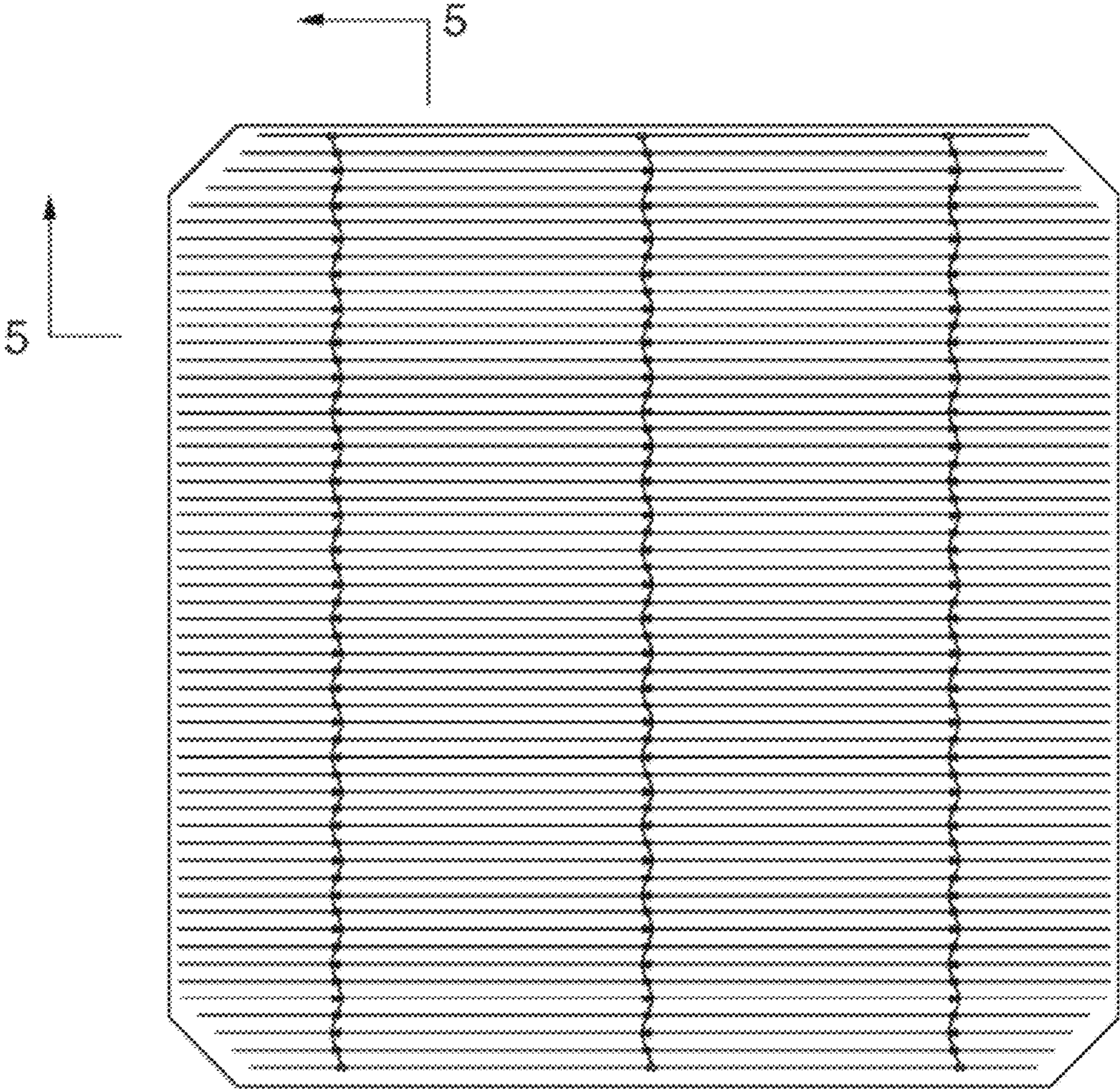


FIG. 1

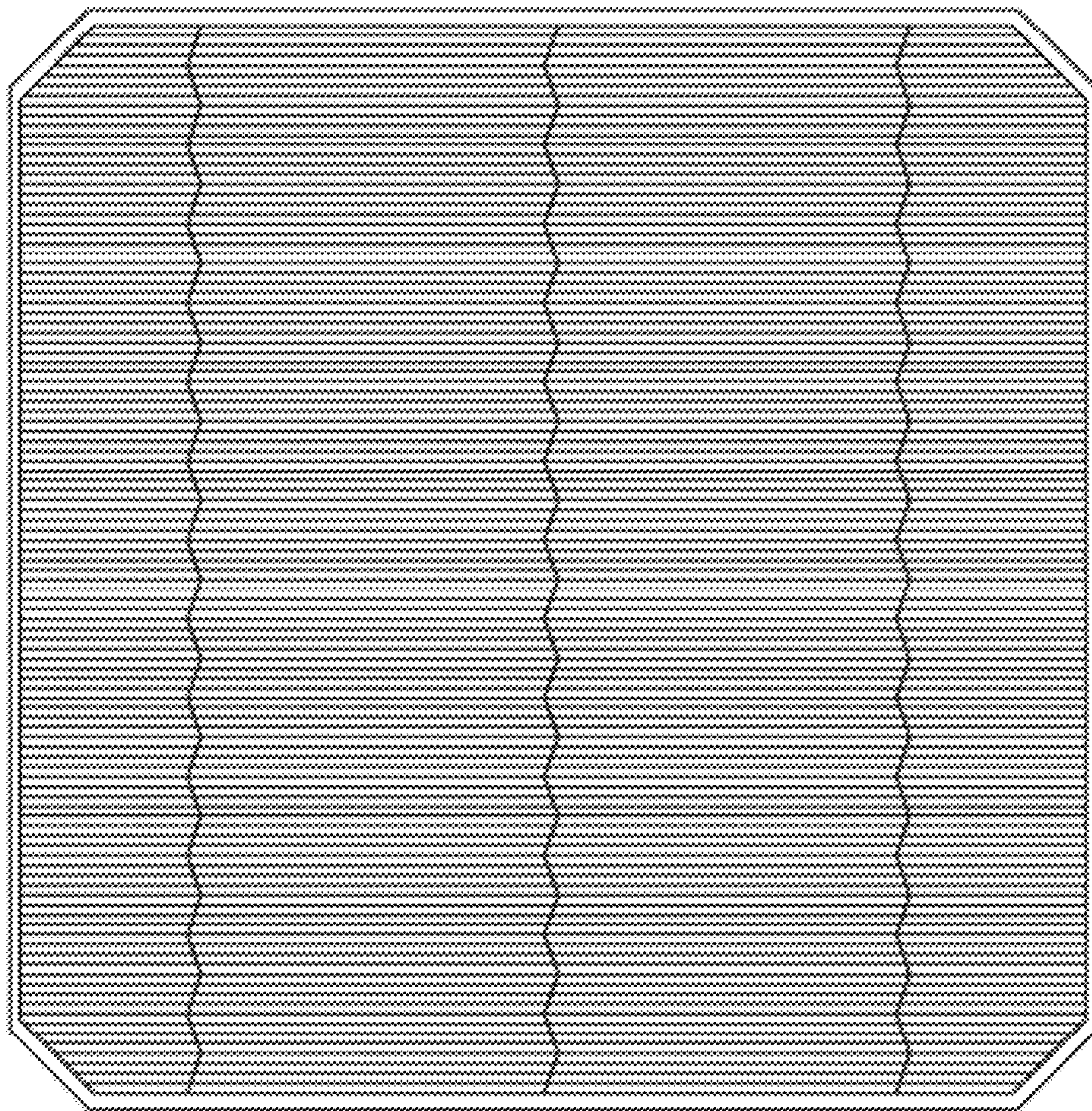


FIG. 2

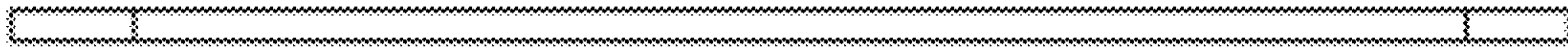


FIG. 3



FIG. 4

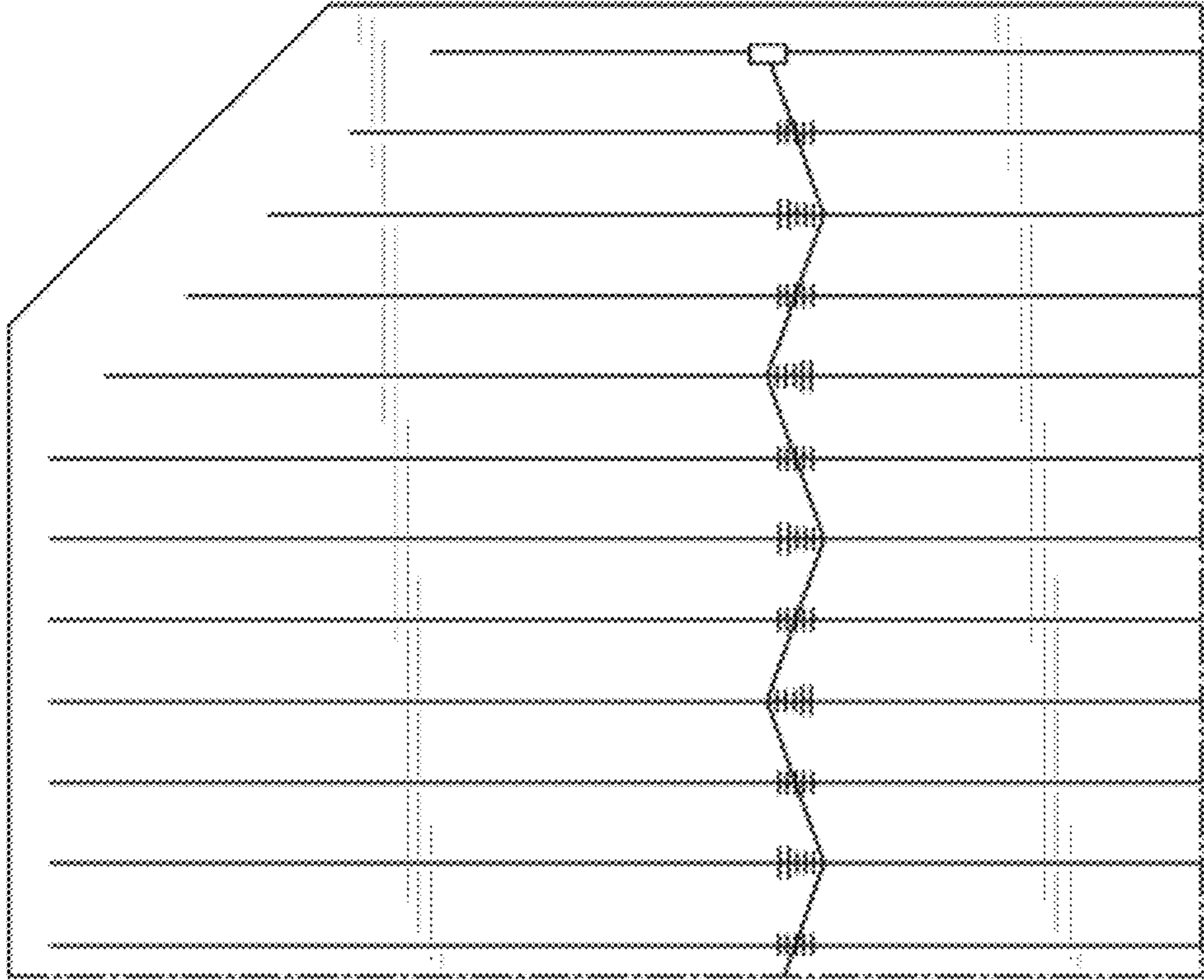


FIG. 5

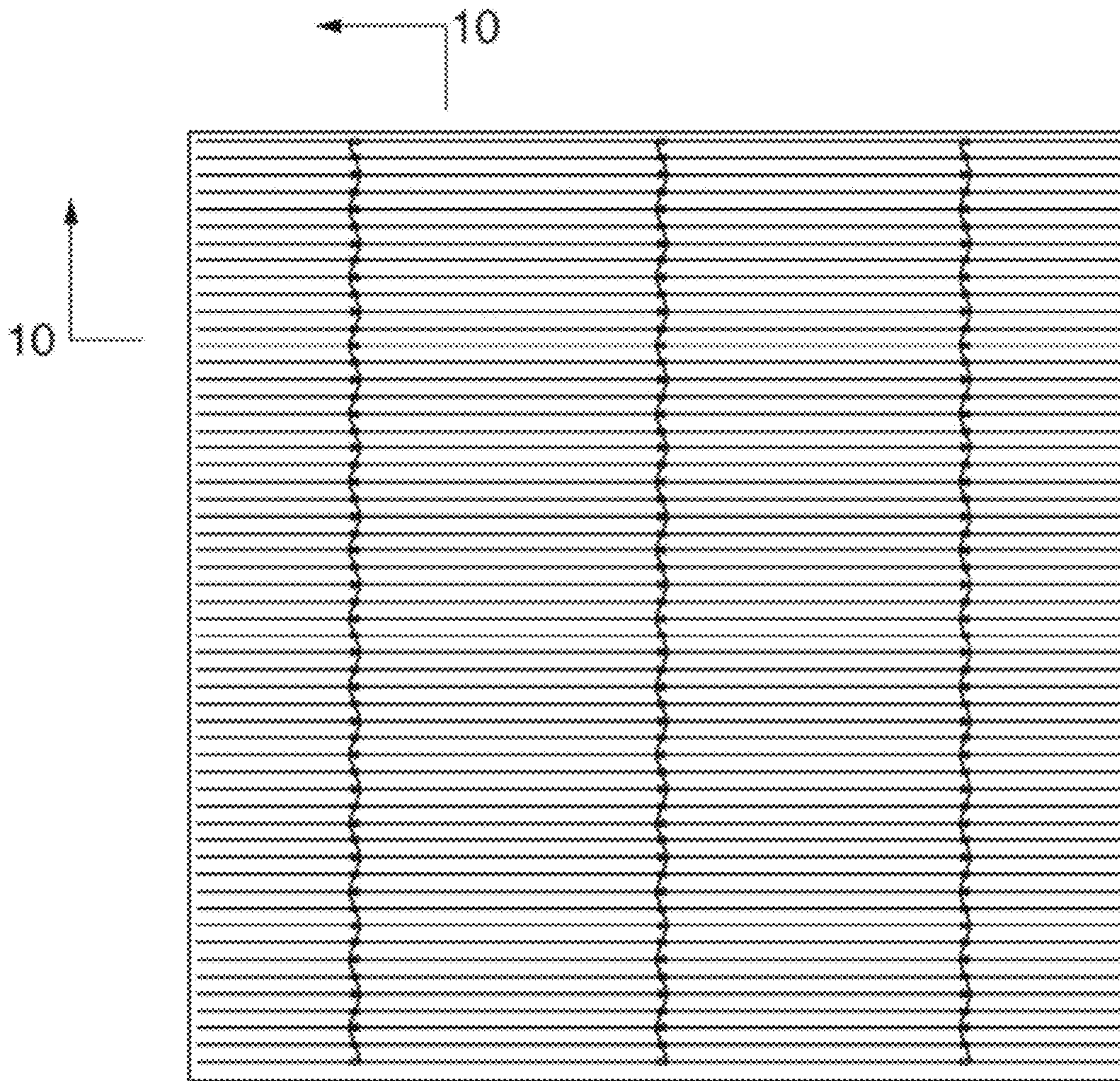


FIG. 6

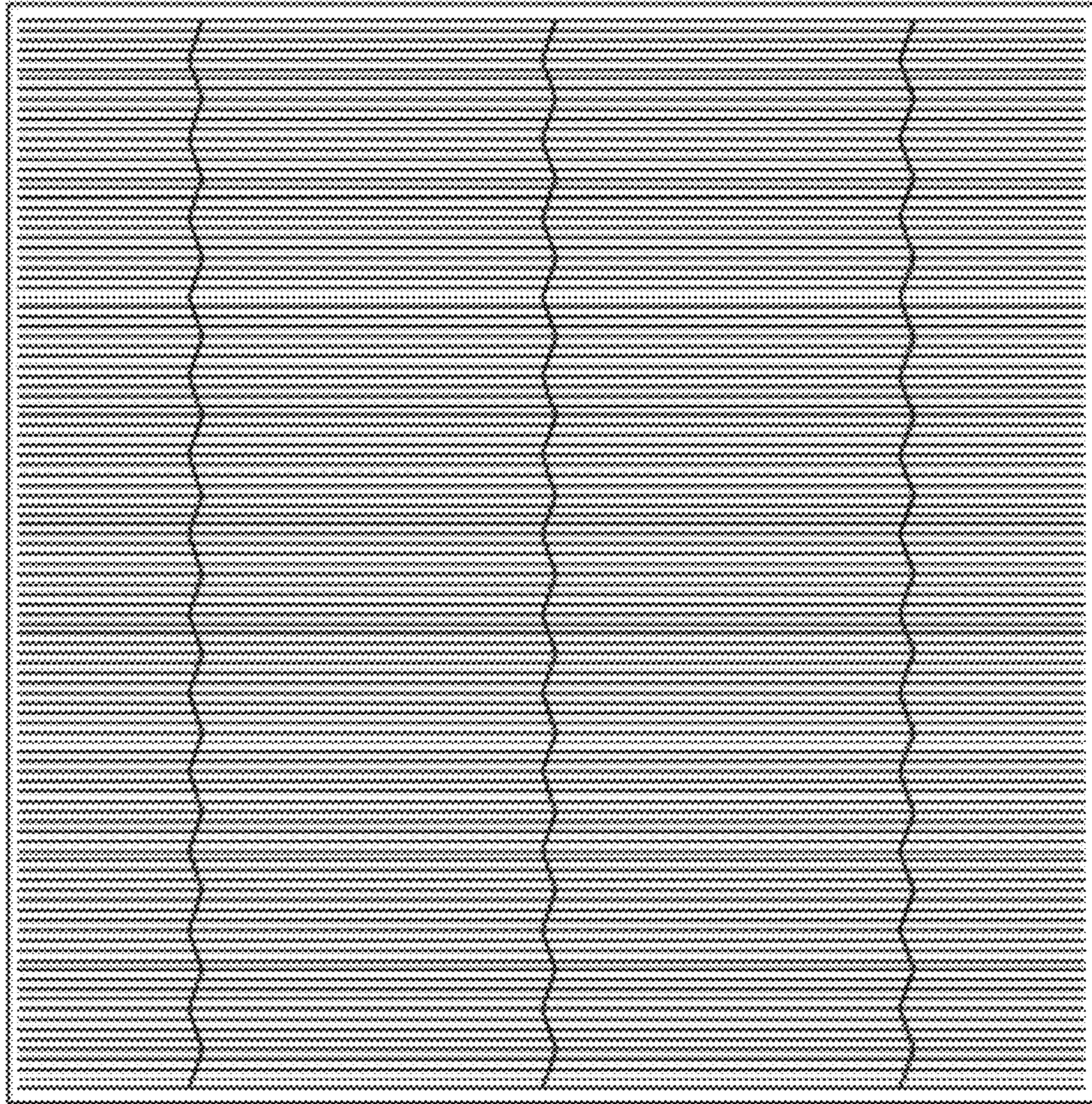


FIG. 7

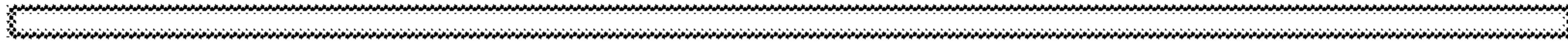


FIG. 8

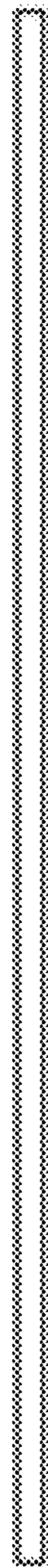


FIG. 9

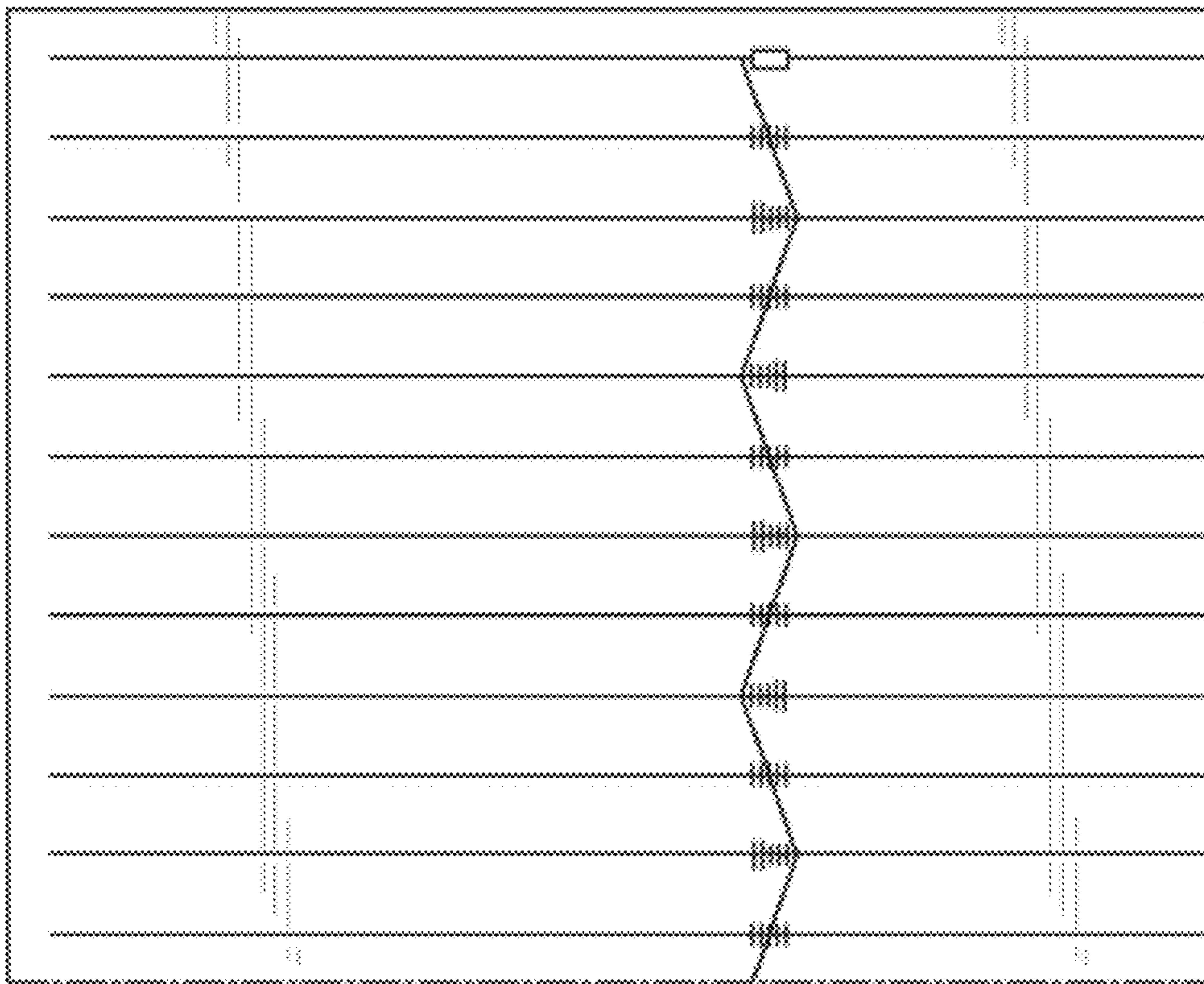


FIG. 10