



US00D670231S

(12) **United States Design Patent**
Stimel, Jr.

(10) **Patent No.:** **US D670,231 S**

(45) **Date of Patent:** **** *Nov. 6, 2012**

(54) **OVERHEAD CONSOLE**

(75) Inventor: **William E. Stimel, Jr.**, Alexandria, OH
(US)

(73) Assignee: **CVG Management Corporation**, New
Albany, OH (US)

(*) Notice: This patent is subject to a terminal dis-
claimer.

(**) Term: **14 Years**

(21) Appl. No.: **29/369,692**

(22) Filed: **Sep. 11, 2010**

(51) **LOC (9) Cl.** **12-16**

(52) **U.S. Cl.** **D12/418**

(58) **Field of Classification Search** D12/415-426.1,
D12/400, 195, 190, 345, 96, 99; 312/246;
296/37.1-37.8, 70, 24.1, 24.2, 24.3, 24.34;
224/311, 539, 281, 118.1, 188.5; 180/90;
439/34

See application file for complete search history.

(56) **References Cited**

U.S. PATENT DOCUMENTS

D245,414	S	*	8/1977	Ashbaugh et al.	D12/418
D259,633	S	*	6/1981	Butler	D12/418
D295,969	S	*	5/1988	Hooks et al.	D12/424
D512,955	S	*	12/2005	Misch	D12/415
D612,795	S	*	3/2010	Tirey et al.	D12/418
D613,234	S	*	4/2010	Tirey et al.	D12/418
D632,911	S	*	2/2011	Kolada et al.	D6/552

* cited by examiner

Primary Examiner — Katrina A Betton

(74) *Attorney, Agent, or Firm* — Kegler Brown Hill & Ritter;
James J. Pingor

(57) **CLAIM**

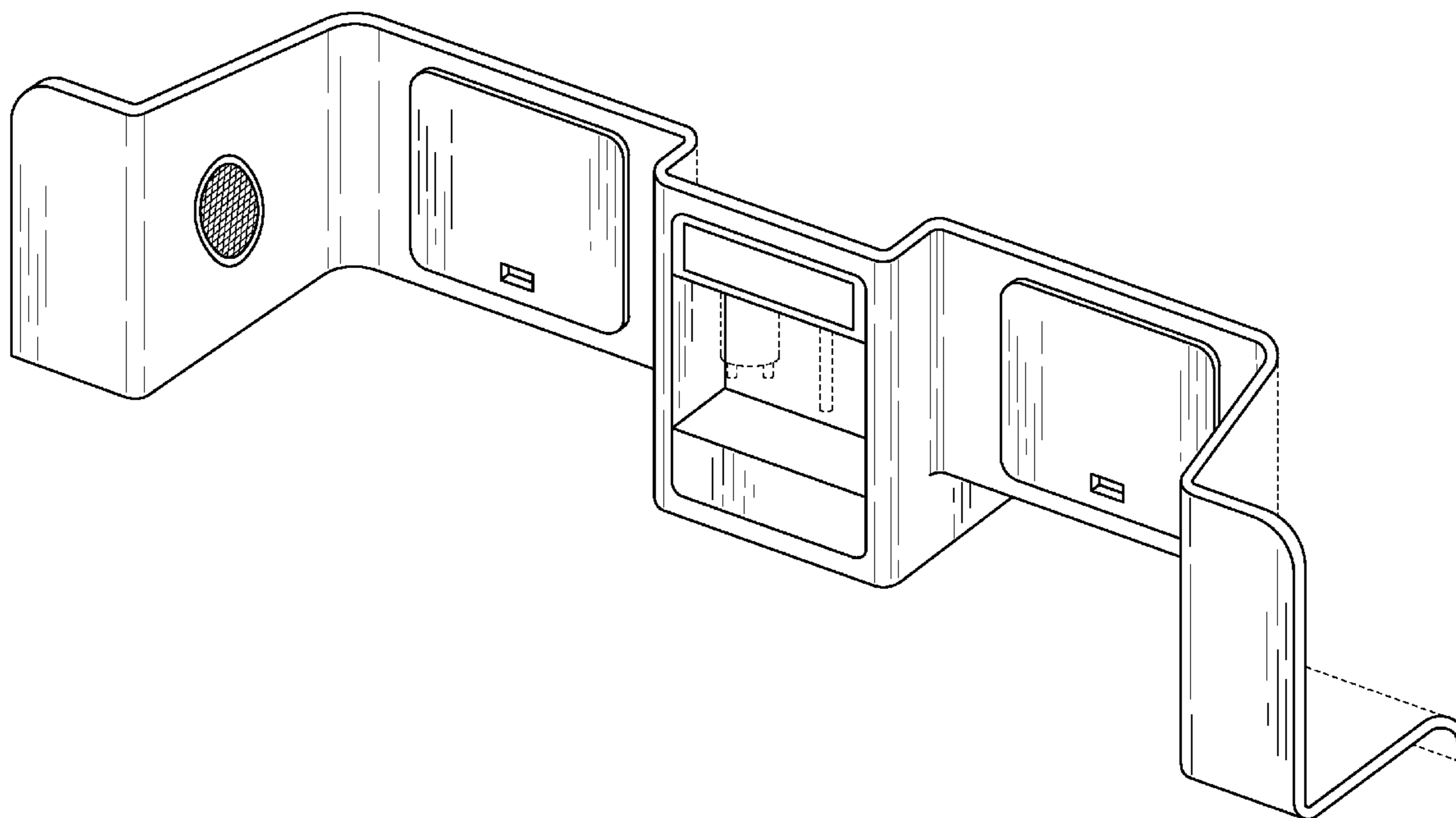
I claim the ornamental design of the overhead console, as
shown and described.

DESCRIPTION

FIG. 1 is a perspective view of an overhead console; and,
FIG. 2 is a front view thereof.

In the drawings, the broken lines in FIG. 1 depict portions of
the article that form no part of the claim.

1 Claim, 2 Drawing Sheets



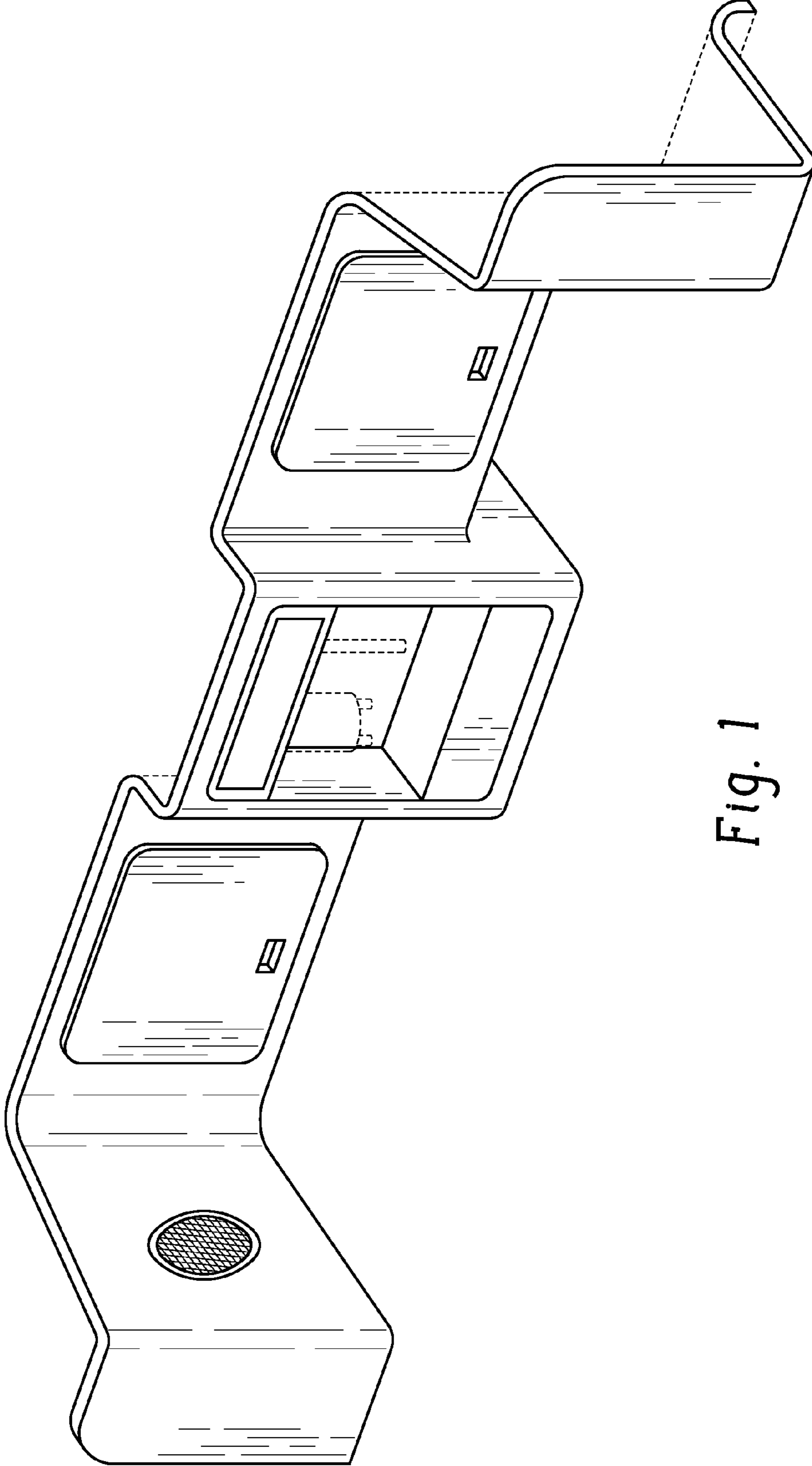


Fig. 1

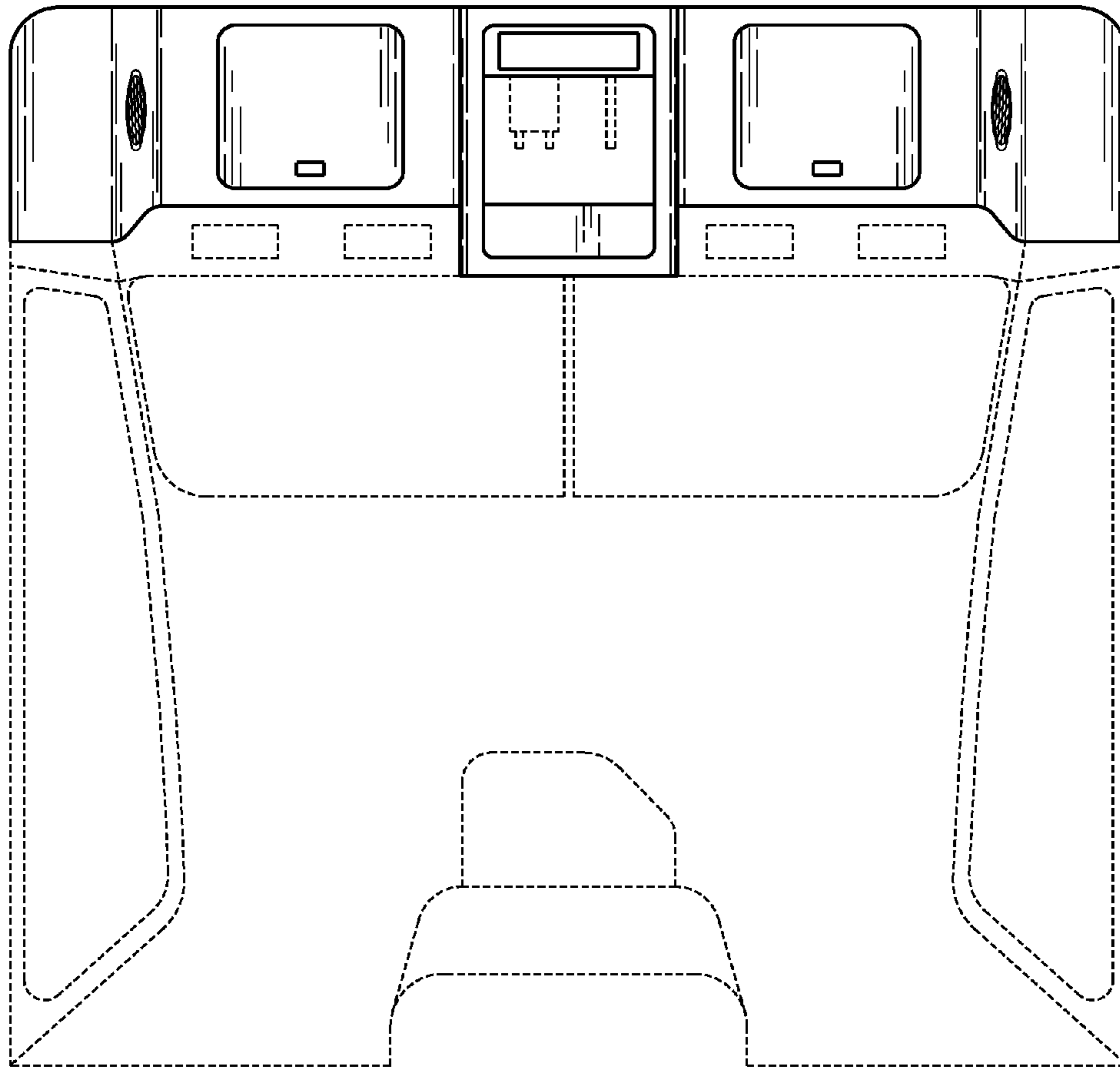


Fig. 2