



US00D670230S

(12) **United States Design Patent**
Kataoka

(10) **Patent No.:** **US D670,230 S**
(45) **Date of Patent:** **** Nov. 6, 2012**

(54) **MOTORCYCLE STORAGE BOX**

- (75) Inventor: **Keiko Kataoka**, Wako (JP)
- (73) Assignee: **Honda Motor Co., Ltd.**, Tokyo (JP)
- (**) Term: **14 Years**
- (21) Appl. No.: **29/414,603**
- (22) Filed: **Mar. 1, 2012**

(30) **Foreign Application Priority Data**

Sep. 7, 2011 (JP) 2011-020423

- (51) **LOC (9) Cl.** **12-11**
- (52) **U.S. Cl.** **D12/410**
- (58) **Field of Classification Search** D12/409,
D12/410, 114, 110; 224/42.11, 412, 413,
224/419, 425, 427-431, 433, 435, 275, 315;
D6/354, 335, 336, 502; 297/195.1, 219.11;
296/37.1; 180/219, 220; 280/288.4, 304.5;
D3/231

See application file for complete search history.

(56) **References Cited**

U.S. PATENT DOCUMENTS

D343,815 S *	2/1994	Kamata	D12/410
D462,933 S *	9/2002	Itakura	D12/410
D480,680 S *	10/2003	Yonai et al.	D12/410
D545,073 S *	6/2007	Hanagan	D6/354
D600,459 S *	9/2009	Hanagan	D6/354
D656,081 S *	3/2012	Yonai et al.	D12/410

* cited by examiner

Primary Examiner — Susan M Lee
Assistant Examiner — Linda G. Brooks
 (74) *Attorney, Agent, or Firm* — Birch, Stewart, Kolasch & Birch, LLP

(57) **CLAIM**

The ornamental design for a motorcycle storage box, as shown and described.

DESCRIPTION

FIG. 1 is a perspective view from the front side of a motorcycle storage box.
 FIG. 2 is a perspective view from the front side thereof.
 FIG. 3 is a perspective view from the rear side thereof.
 FIG. 4 is a perspective view from the rear side thereof.
 FIG. 5 is a front elevation view thereof.
 FIG. 6 is a rear elevation view thereof.
 FIG. 7 is a top plan view thereof.
 FIG. 8 is a bottom plan view thereof.
 FIG. 9 is a left side elevation view thereof.
 FIG. 10 is a right side elevation view thereof; and,
 FIG. 11 is a referential perspective view thereof with the lid opened.
 The portion of the motorcycle storage box shown in broken lines is for the purpose of showing environmental structure only and forms no part of the claimed design.

1 Claim, 11 Drawing Sheets

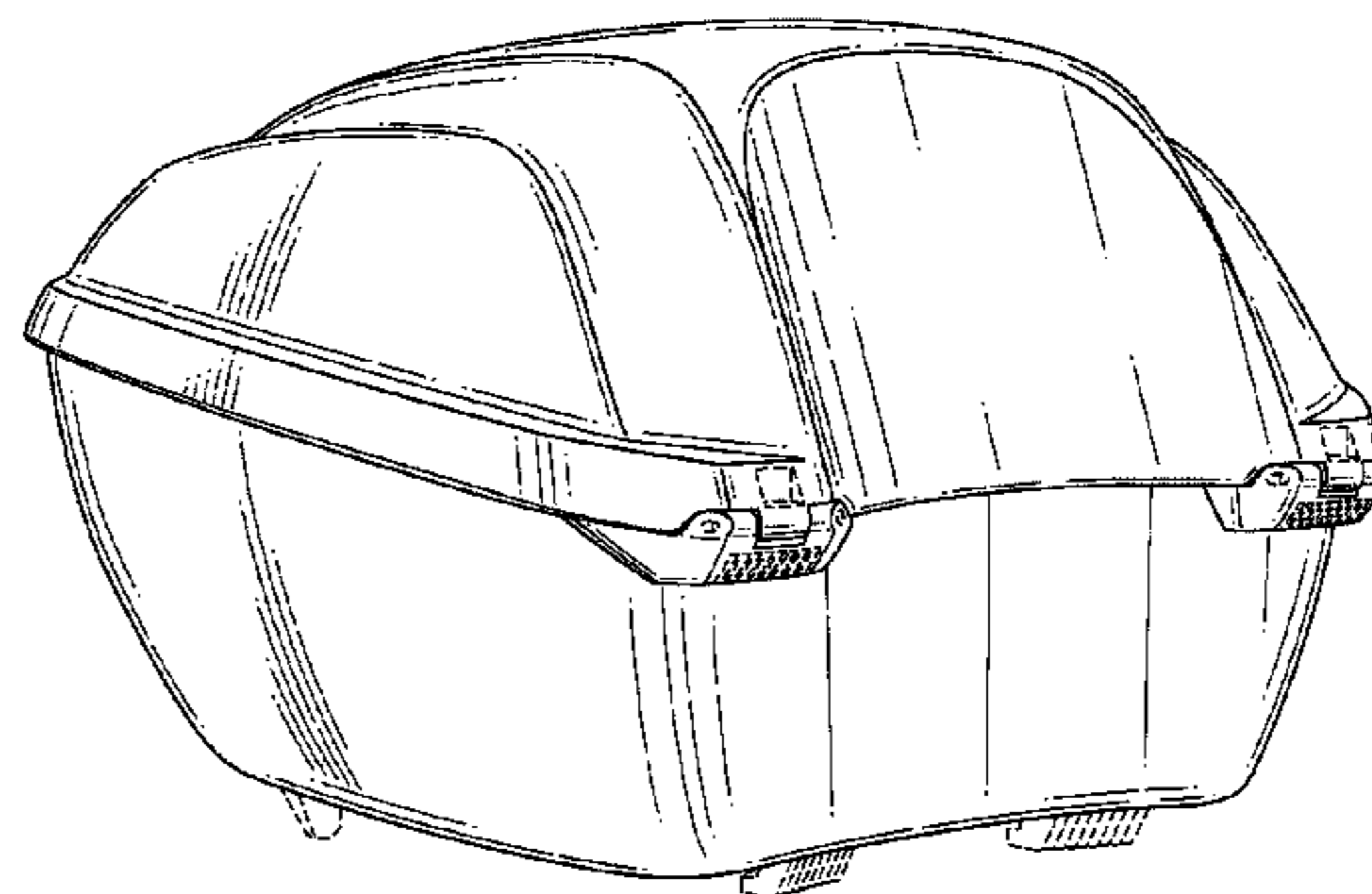
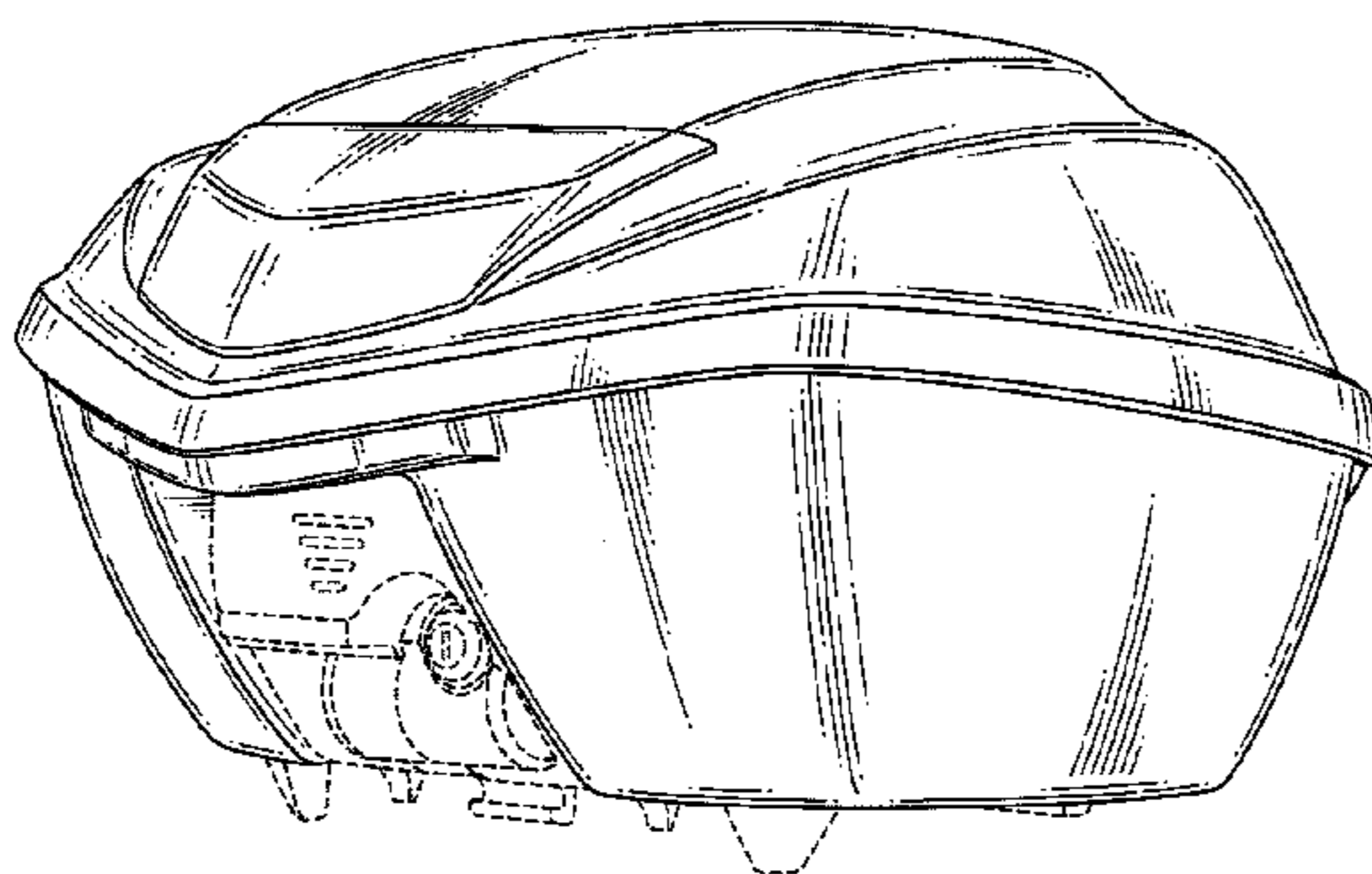


FIG. 1

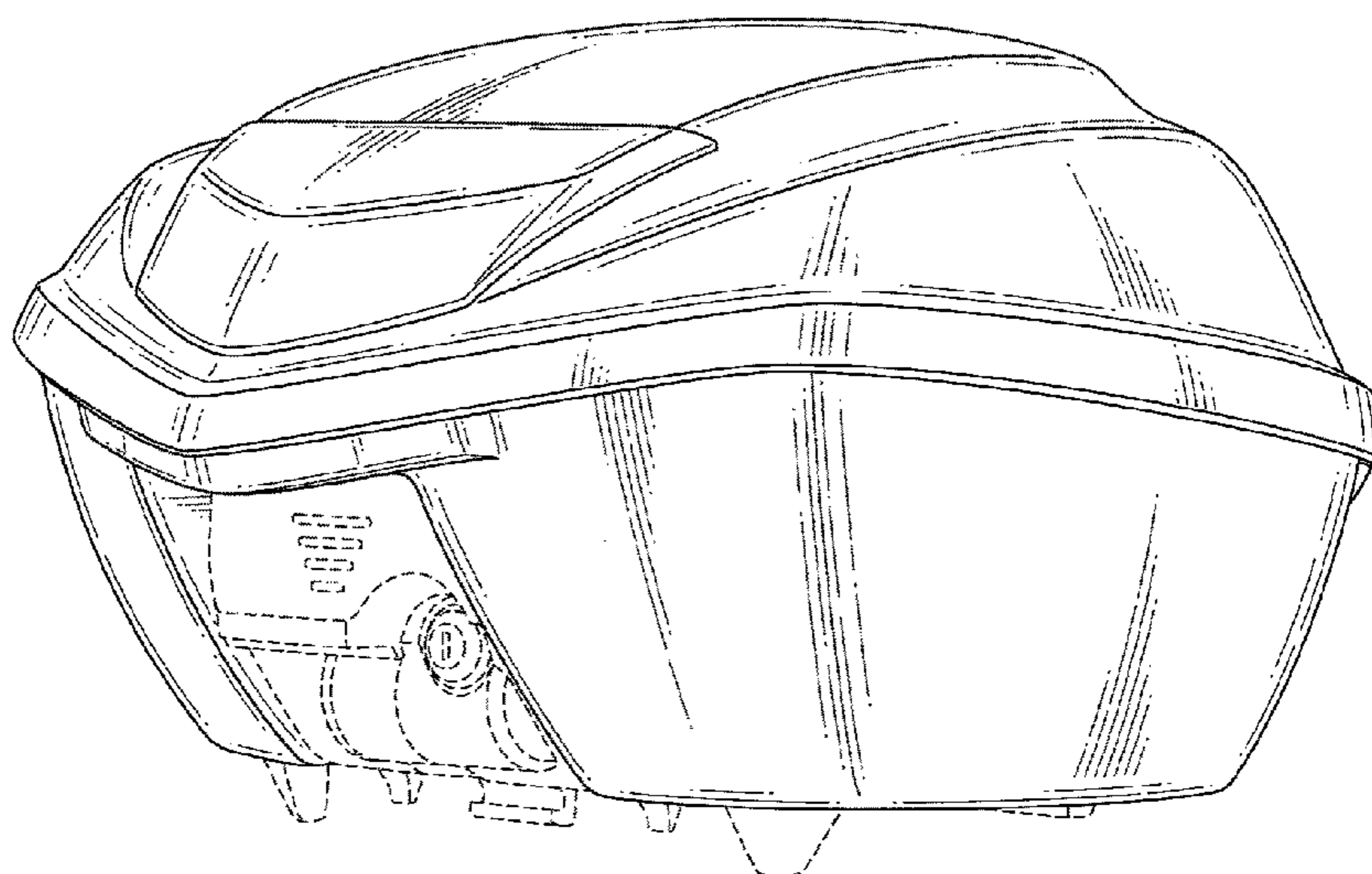


FIG. 2

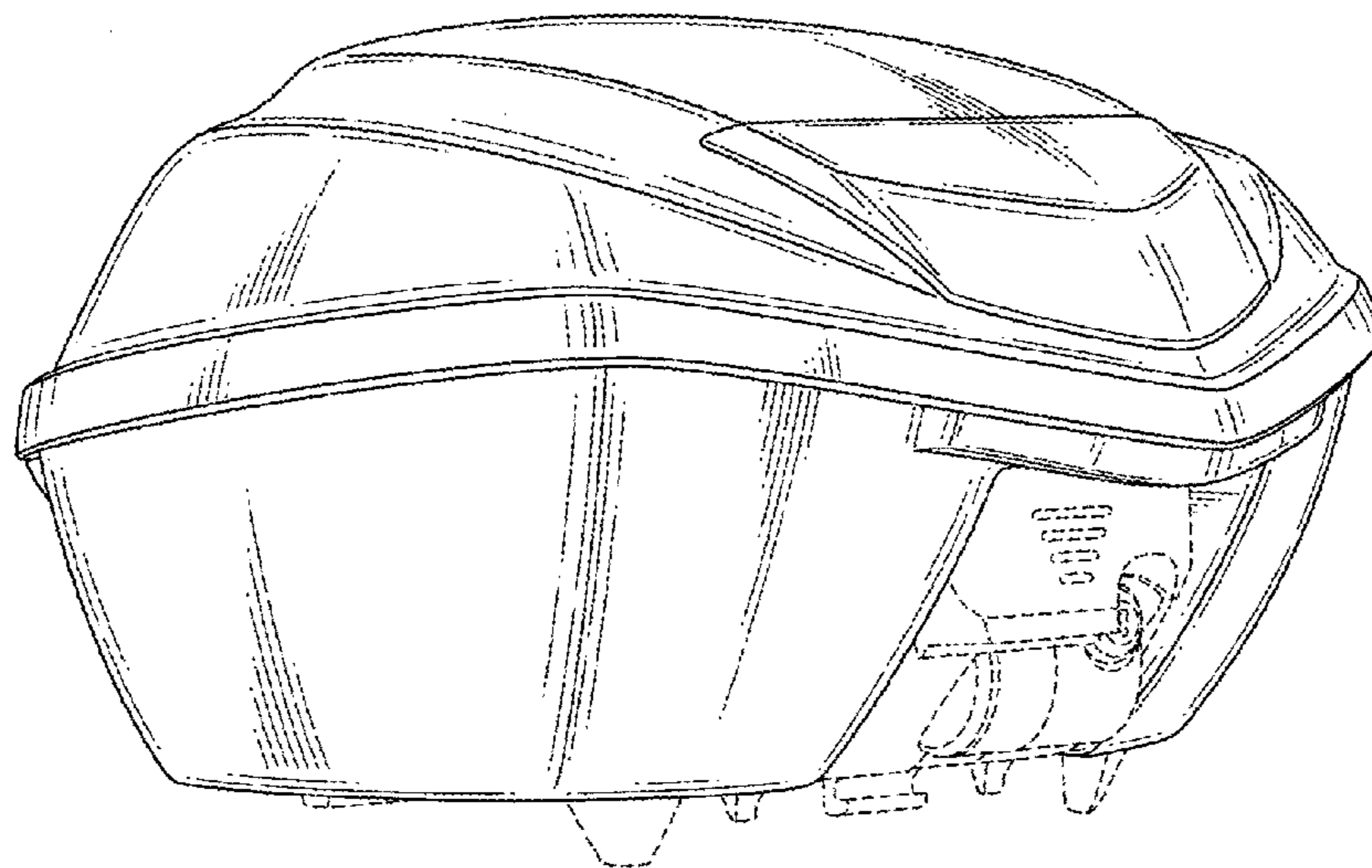


FIG. 3

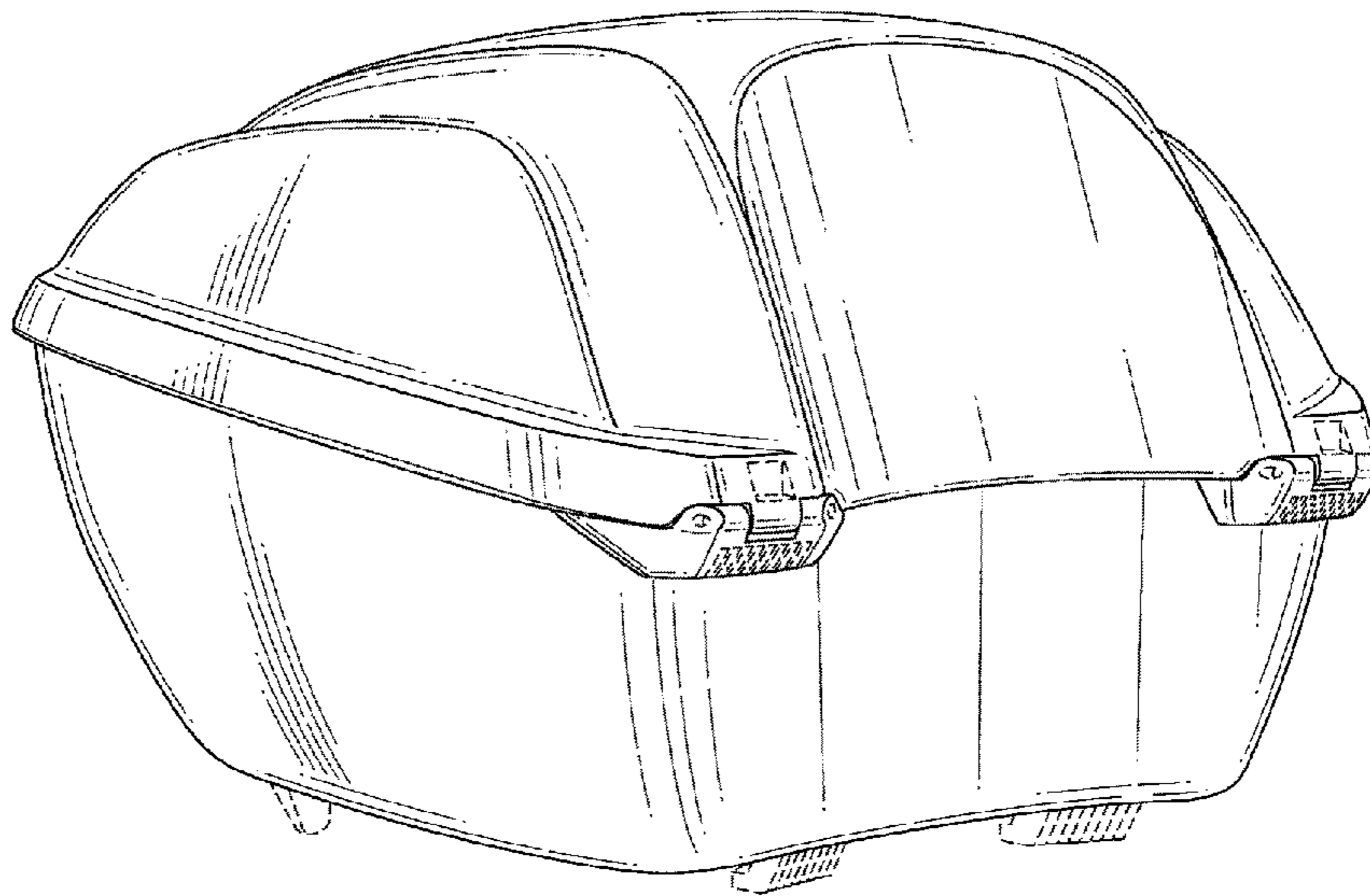


FIG. 4

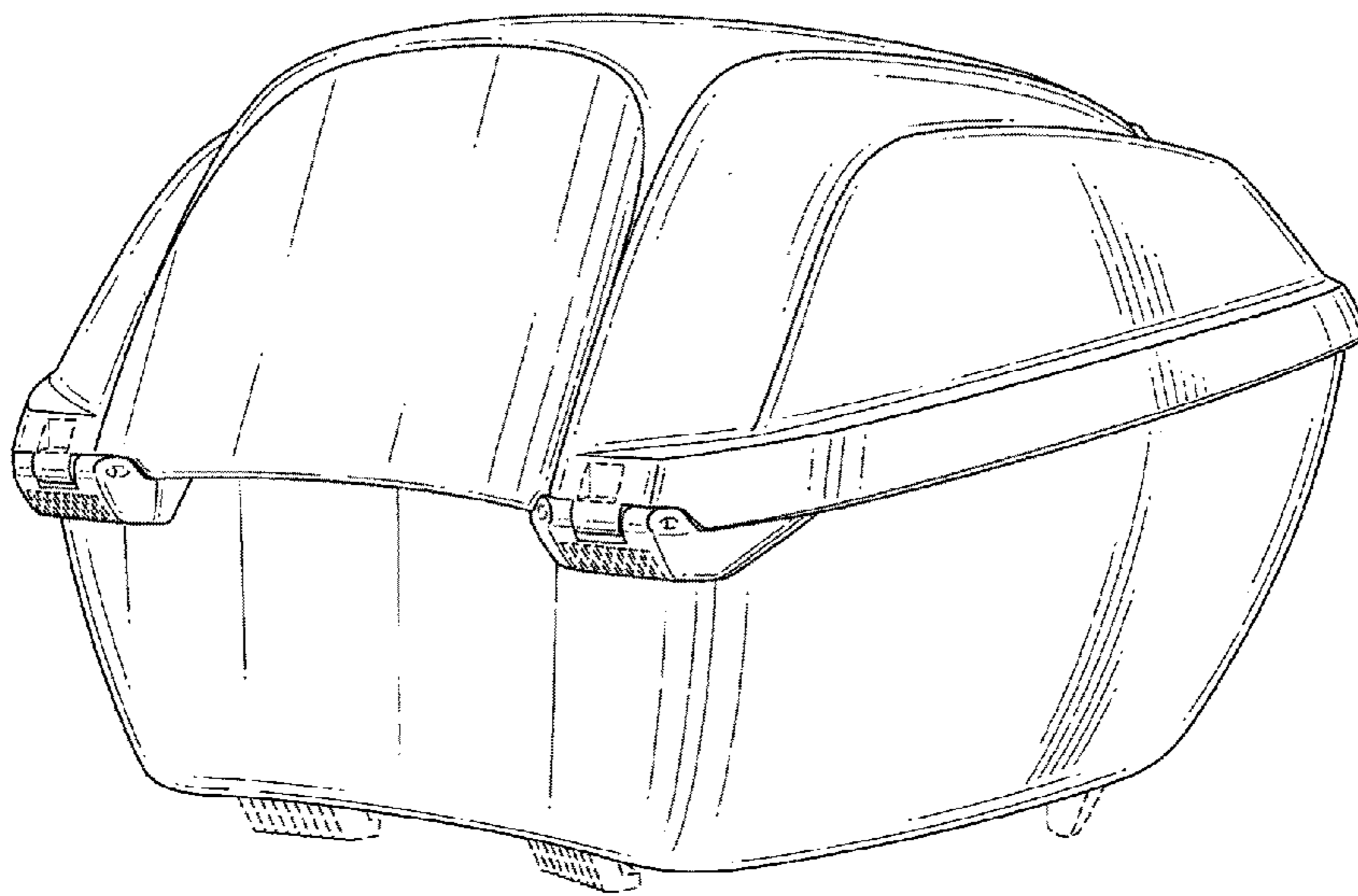


FIG. 5

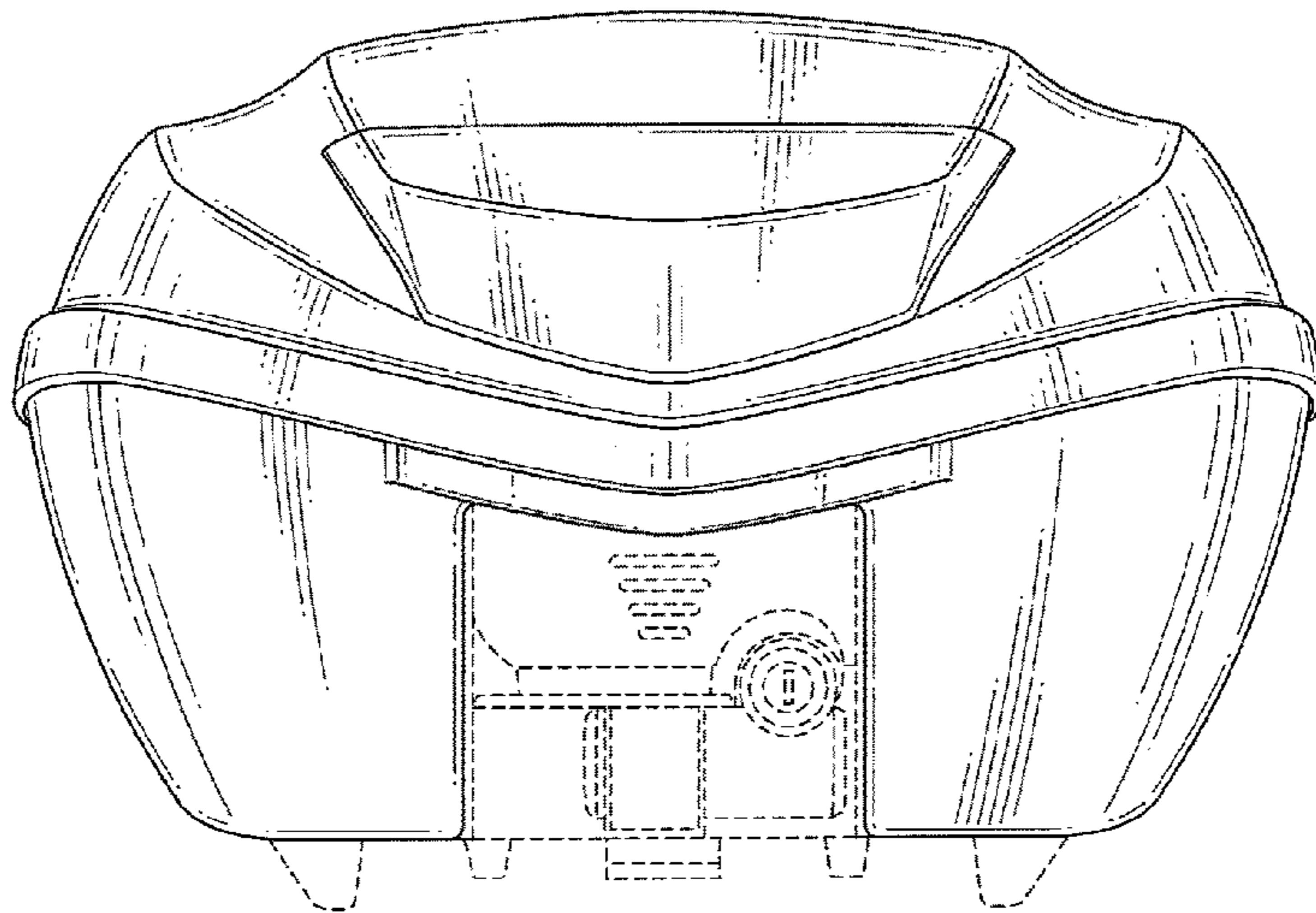


FIG. 6

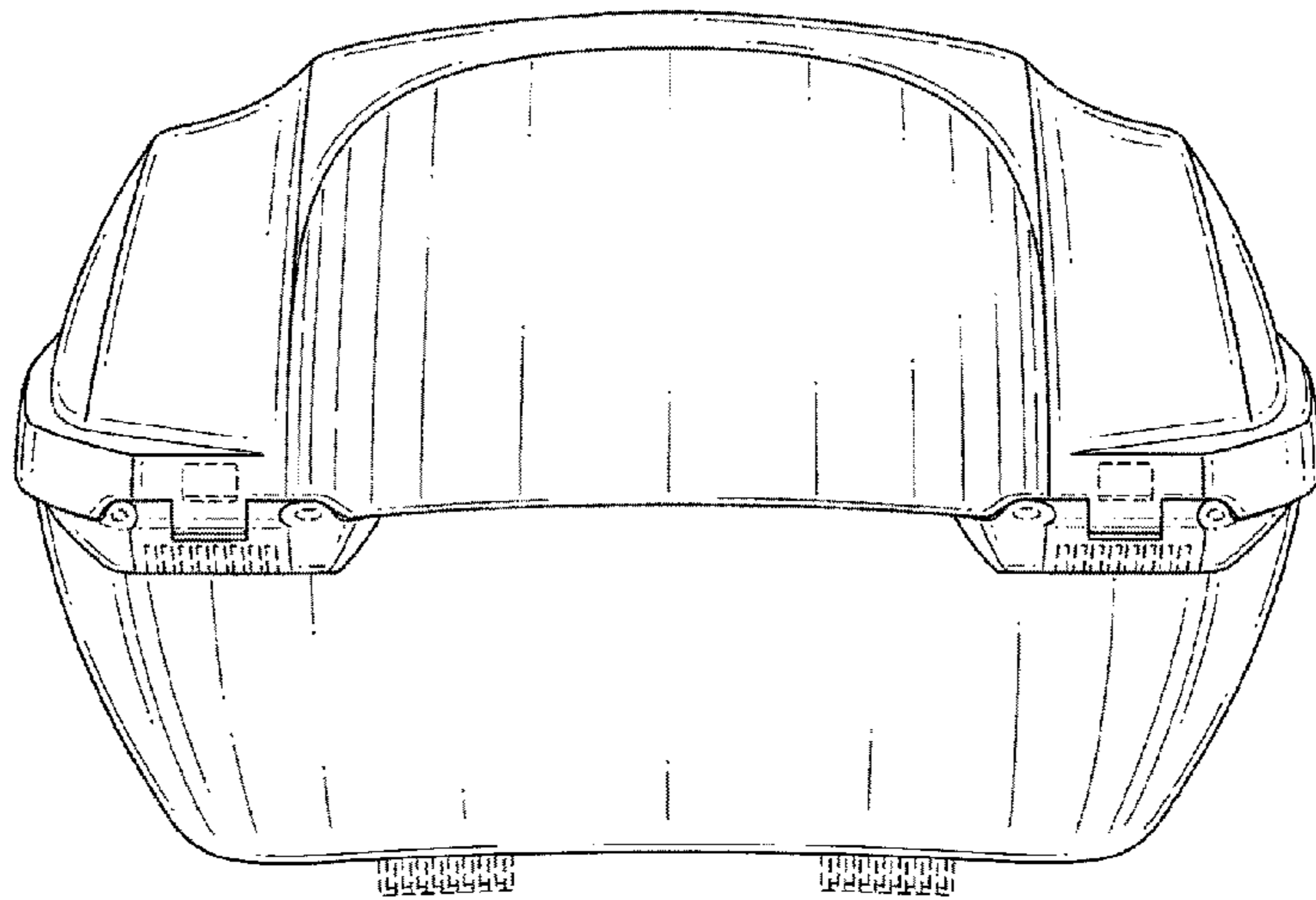


FIG. 7

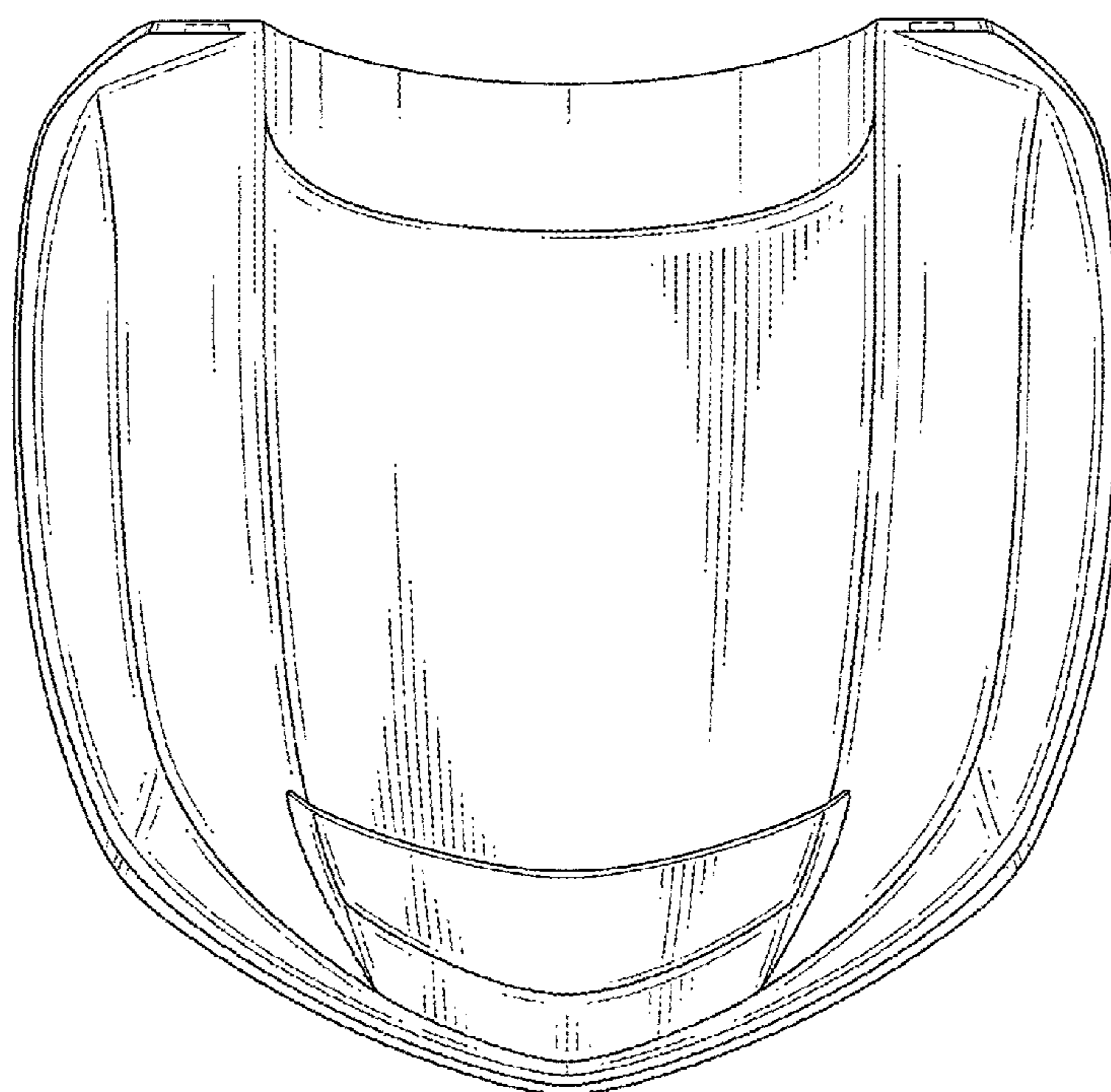


FIG. 8

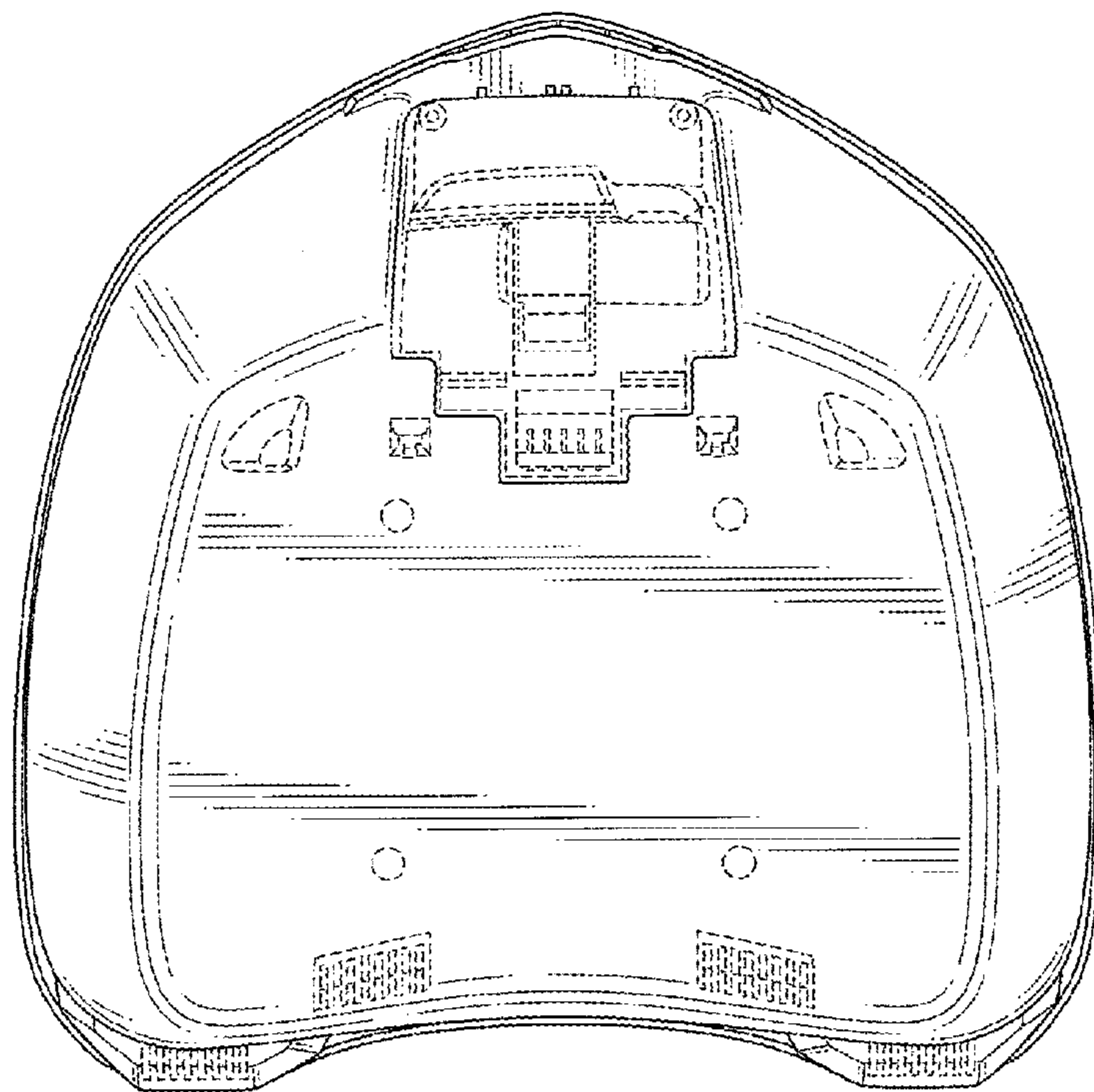


FIG. 9

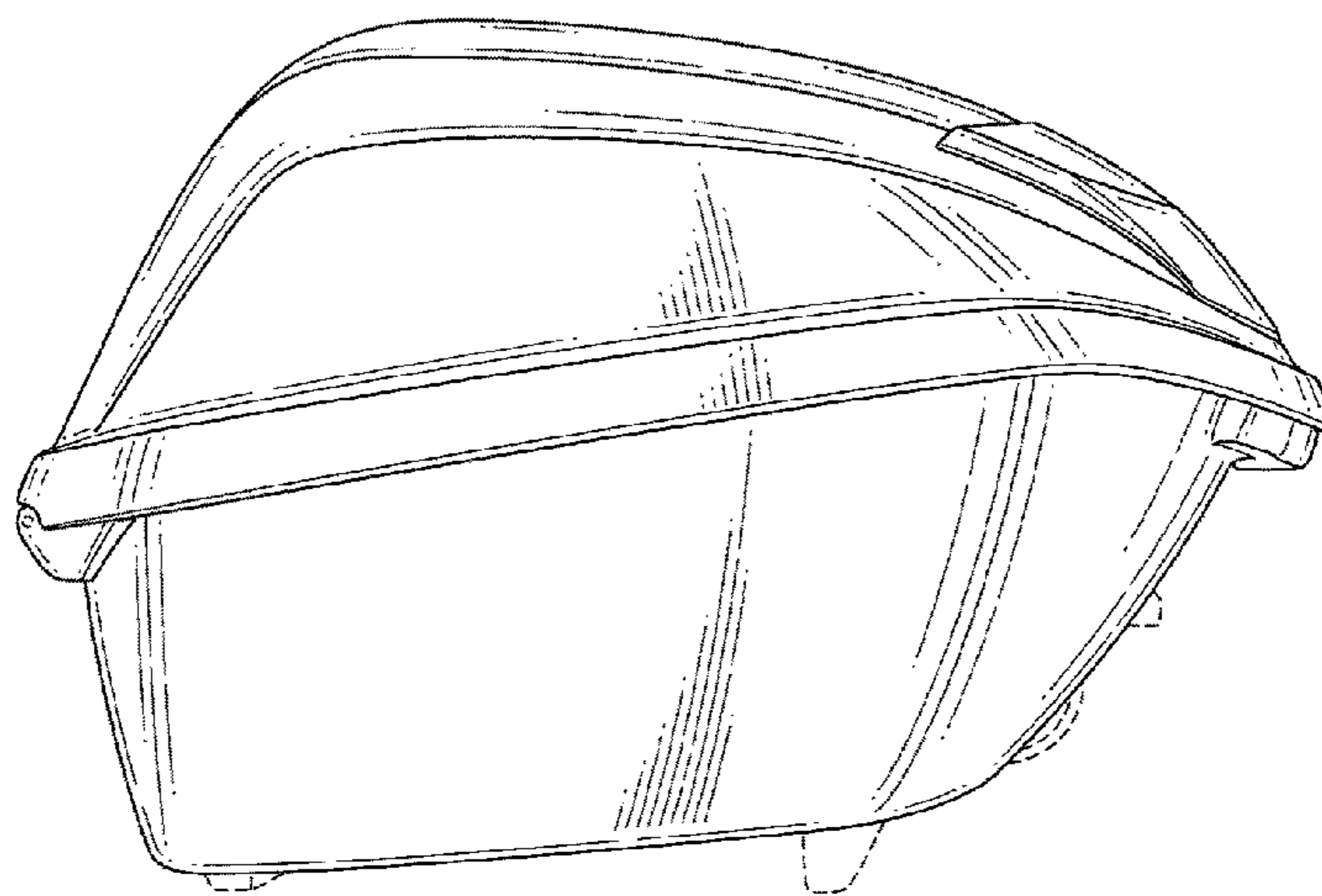


FIG. 10

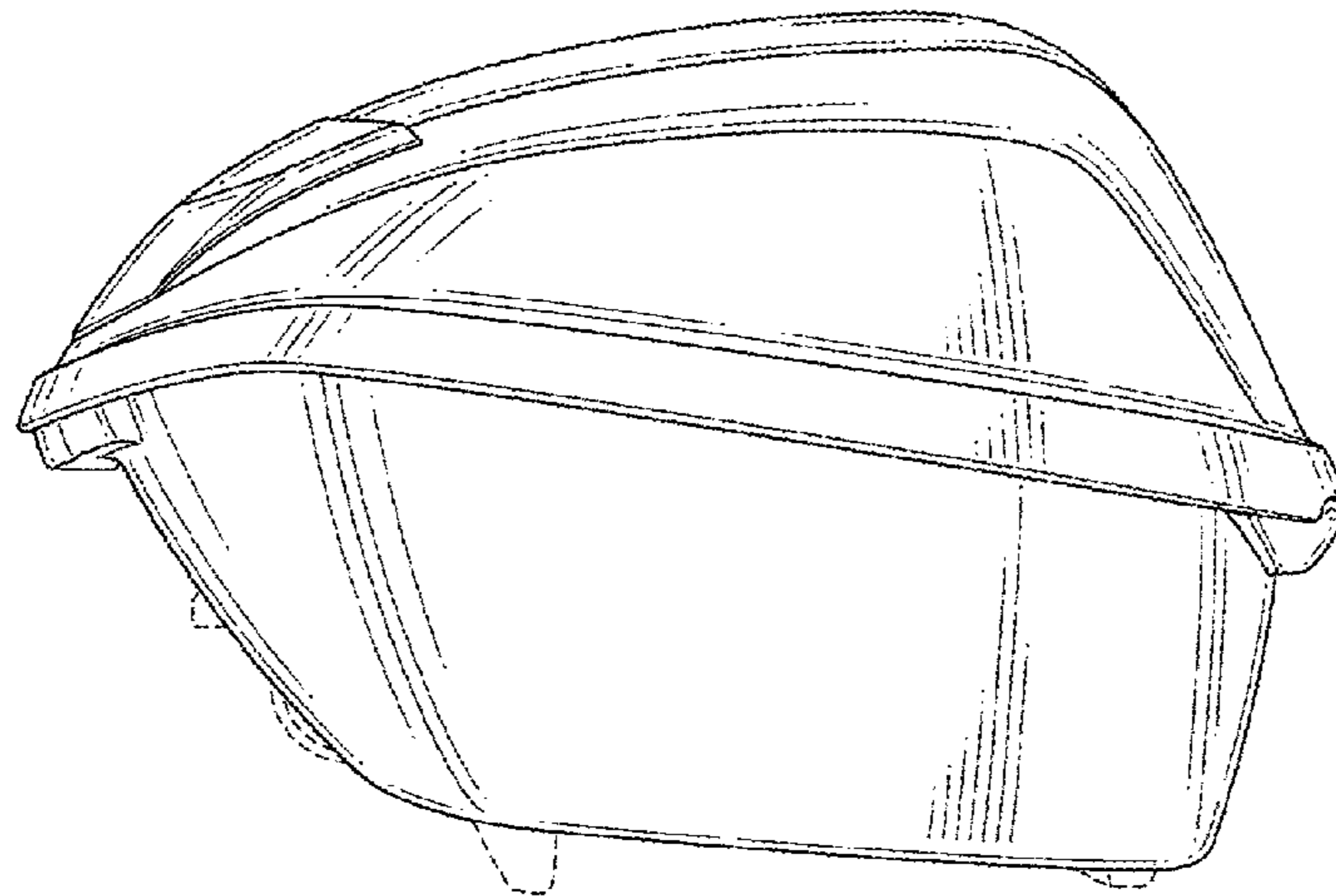


FIG. 11

