



US00D670229S

(12) **United States Design Patent**
Gilk et al.

(10) **Patent No.:** **US D670,229 S**

(45) **Date of Patent:** **** Nov. 6, 2012**

(54) **LONG SHAFT PROPELLER CONTROLLER**

(76) Inventors: **Arlon J. Gilk**, Albany, MN (US);
Lawrence L. Hoeschen, Freeport, MN
(US)

(**) **Term:** **14 Years**

(21) **Appl. No.:** **29/413,582**

(22) **Filed:** **Feb. 17, 2012**

(51) **LOC (9) Cl.** **12-16**

(52) **U.S. Cl.** **D12/214; D15/4**

(58) **Field of Classification Search** D12/214,
D12/300, 317; D15/1, 4, 5; 114/274; 440/49-51,
440/53, 55, 57, 63, 71, 75, 83; 416/62, 189;
415/8

See application file for complete search history.

(56) **References Cited**

U.S. PATENT DOCUMENTS

450,004 A	4/1891	Daley	
682,027 A	9/1901	Burgess	
904,313 A	11/1908	Davis	
941,827 A	11/1909	Trouche	
1,211,106 A	1/1917	Doeg	
1,226,400 A *	5/1917	Smith	415/8
1,335,412 A	3/1920	Weaver	
1,953,599 A	4/1934	Grimes	
2,014,859 A	9/1935	Mitchell, Jr.	
2,038,299 A	4/1936	Kohlhagen	
2,096,223 A	10/1937	Chandler et al.	
2,195,774 A	4/1940	Freeman et al.	
D138,752 S *	9/1944	Waterval	D12/214
2,442,728 A	6/1948	Kiekhaefer	
2,487,177 A	11/1949	Pollock	
2,528,628 A	11/1950	Whitney	
2,537,943 A	1/1951	Brown	
2,549,477 A	4/1951	Kiekhaefer	
2,549,484 A	4/1951	Kiekhaefer	
2,656,812 A	10/1953	Kiekhaefer	
2,860,594 A	11/1958	Kiekhaefer	
2,896,565 A	7/1959	Stevens	
3,131,940 A	5/1964	Ertaud	

3,131,942 A	5/1964	Ertaud
3,150,822 A	9/1964	Dreyfus et al.
3,151,597 A	10/1964	Larsen
3,331,101 A	7/1967	Thomas, Jr.
3,355,179 A	11/1967	McGrew, Jr.
3,430,603 A	3/1969	Parish
3,575,477 A	4/1971	Newsome
3,587,510 A	6/1971	Shimanckas
3,599,595 A	8/1971	James
3,622,164 A	11/1971	Herbert et al.
3,752,111 A	8/1973	Meynier
3,752,489 A	8/1973	Latinen
3,768,432 A	10/1973	Spaulding
3,940,150 A	2/1976	Martin et al.
3,942,803 A	3/1976	Wijnant et al.

(Continued)

OTHER PUBLICATIONS

“Skeg”, Wikipedia, the free encyclopedia, Feb. 16, 2011, [HTTP://en.wikipedia.org/w/index.php?title=Skeg](http://en.wikipedia.org/w/index.php?title=Skeg), 1 page.

Primary Examiner — Caron D Veynar

Assistant Examiner — Martie K Holtje

(74) *Attorney, Agent, or Firm* — Albert W. Watkins

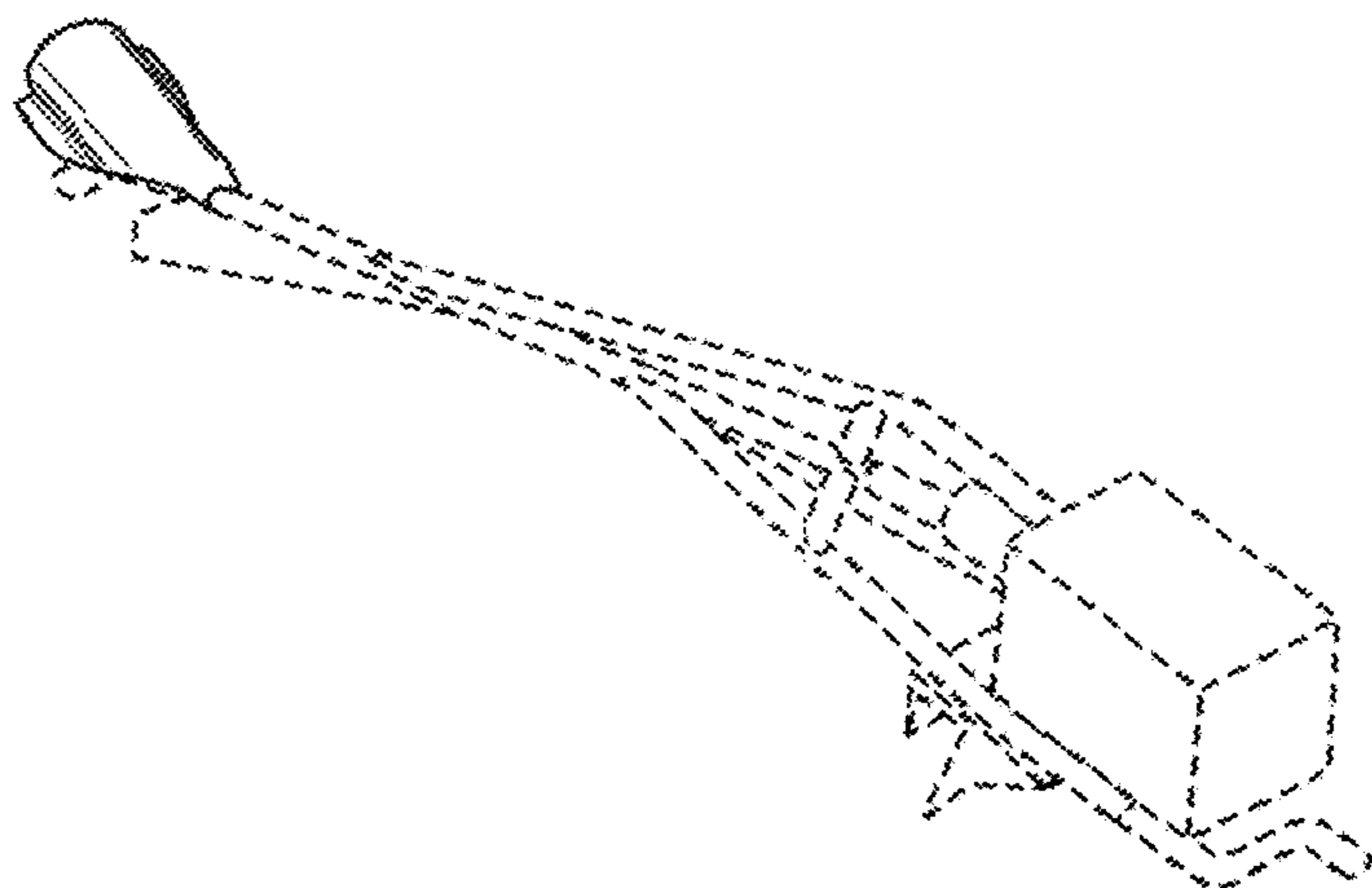
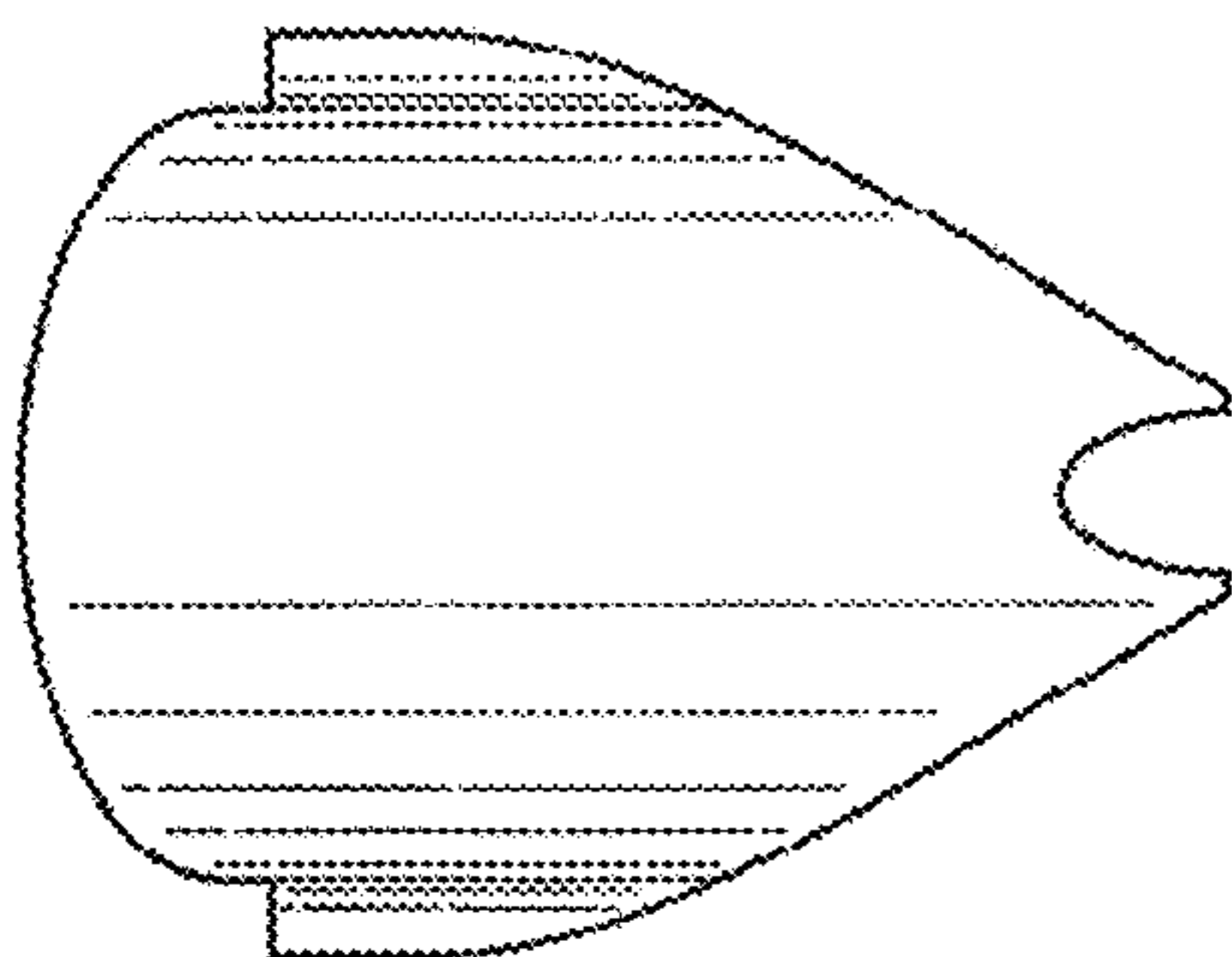
(57) **CLAIM**

We claim the ornamental design for a long shaft propeller controller, as shown and described.

DESCRIPTION

FIG. 1 is a top plan view showing our new design; FIG. 2 is a bottom plan view thereof; FIG. 3 is a right side elevation view thereof; FIG. 4 is a left side elevation view thereof; FIG. 5 is a rear elevation view thereof; FIG. 6 is a front elevation view thereof; and, FIG. 7 is a top, front perspective view thereof, showing the environmental structure of a long shaft propeller, depicted by means of broken lines, which forms no part of the claimed design.

1 Claim, 4 Drawing Sheets



US D670,229 S

Page 2

U.S. PATENT DOCUMENTS

D259,488 S	6/1981	Carter et al.					
4,295,835 A	10/1981	Mapes et al.					
4,487,152 A *	12/1984	Larson	114/274				
4,491,374 A	1/1985	Hagshenas et al.					
4,549,949 A	10/1985	Guinn					
4,597,742 A	7/1986	Finkl					
4,636,175 A	1/1987	Frazzell et al.					
4,676,756 A	6/1987	Rodrigue et al.					
4,678,440 A	7/1987	Rodrigue et al.					
4,708,672 A	11/1987	Bentz et al.					
4,726,796 A	2/1988	Rivette, Jr. et al.					
4,744,779 A	5/1988	Koehler					
4,781,632 A	11/1988	Litjens et al.					
4,804,312 A	2/1989	Schneekluth					
4,820,212 A	4/1989	McElroy et al.					
4,826,461 A *	5/1989	Newman	440/71				
5,207,605 A	5/1993	Kroeber					
5,558,498 A	9/1996	Ogino					
5,667,415 A	9/1997	Arneson					
5,673,643 A	10/1997	Poppa					
5,800,224 A	9/1998	Ogino					
5,820,425 A	10/1998	Ogino et al.					
5,890,937 A *	4/1999	Granger	440/71				
D416,535 S *	11/1999	Rudofsky	D12/317				
6,155,893 A	12/2000	Belmont					
6,358,008 B1	3/2002	Chen					
6,361,388 B2	3/2002	Foreman					
6,482,057 B1	11/2002	Schoell					
6,524,069 B2	2/2003	Chen					
6,571,653 B1	6/2003	Takeda et al.					
6,966,806 B1	11/2005	Bruestle et al.					
7,008,279 B2	3/2006	Ide et al.					
7,056,092 B2	6/2006	Stahl					
D527,021 S *	8/2006	Osumi	D15/4				
7,223,076 B2	5/2007	Mansson					
7,297,035 B2 *	11/2007	Broussard	440/75				
7,335,074 B2	2/2008	Arneson					
7,387,553 B1	6/2008	Misorski et al.					
7,488,225 B2	2/2009	Lin					
7,575,490 B1	8/2009	Angel et al.					
D608,371 S *	1/2010	Perkins, II	D15/5				
7,717,678 B2	5/2010	Chen					
7,946,591 B2	5/2011	Pabst et al.					
2003/0152461 A1 *	8/2003	Heidenreich	416/189				

* cited by examiner

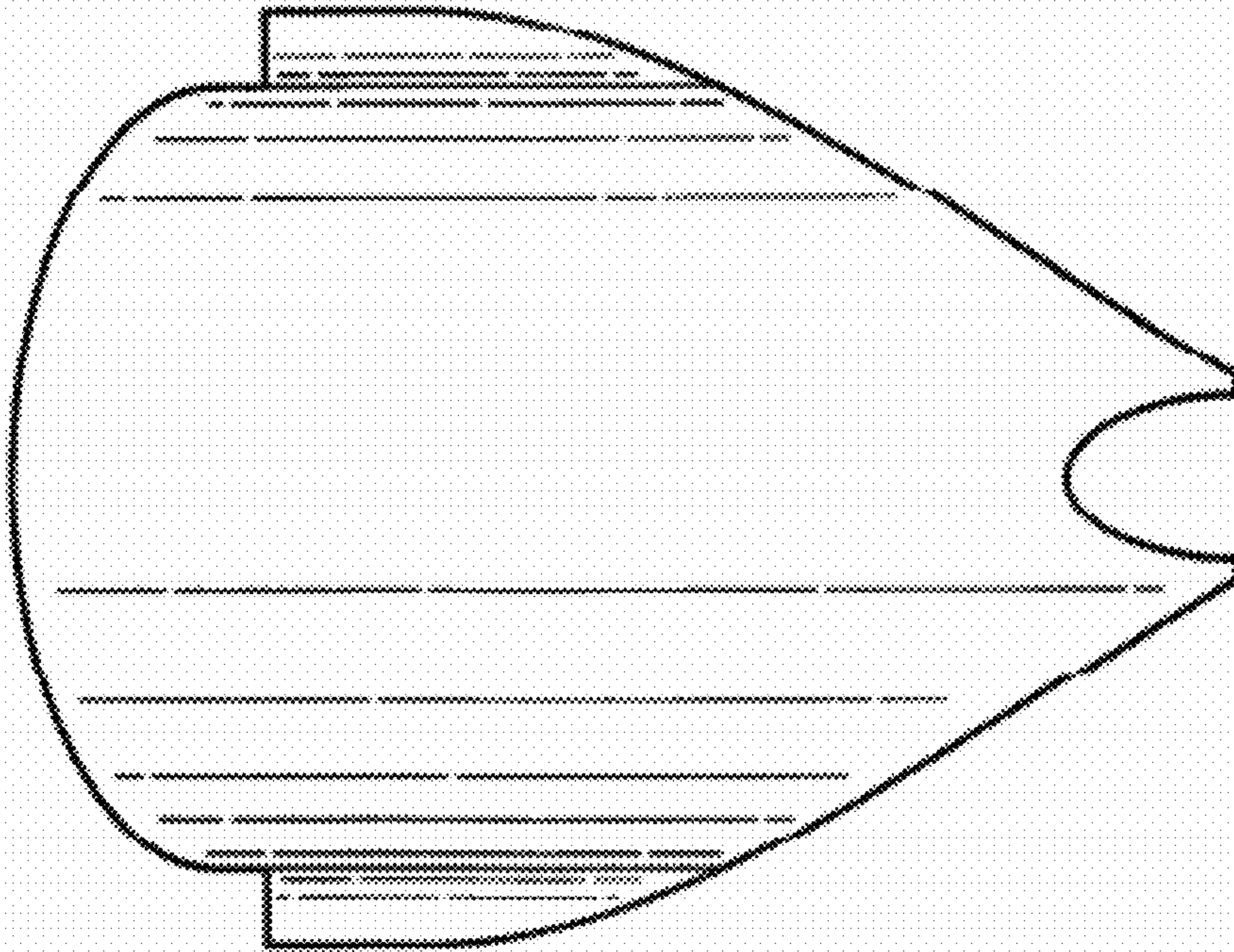


FIG. 1

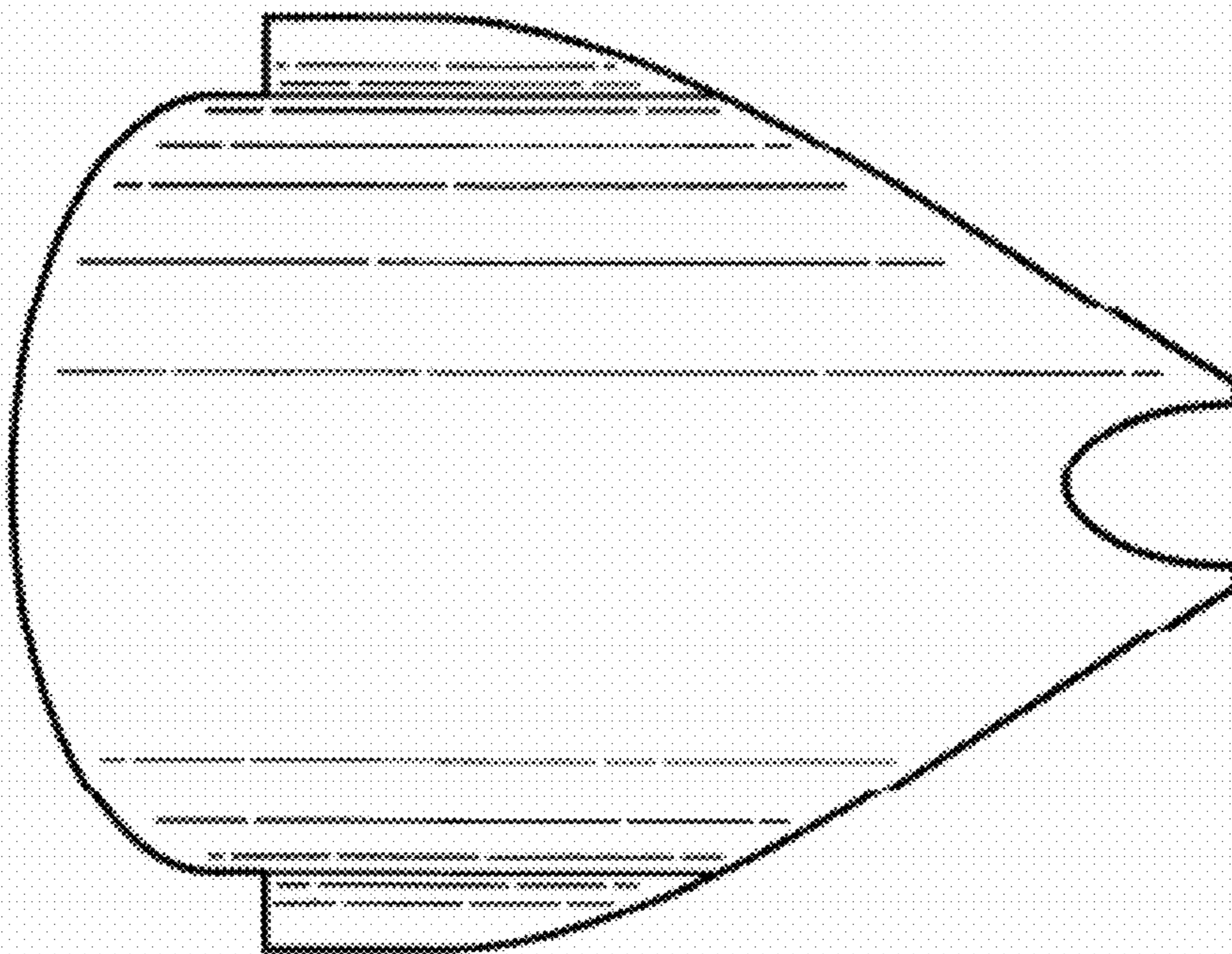


FIG. 2



FIG. 3

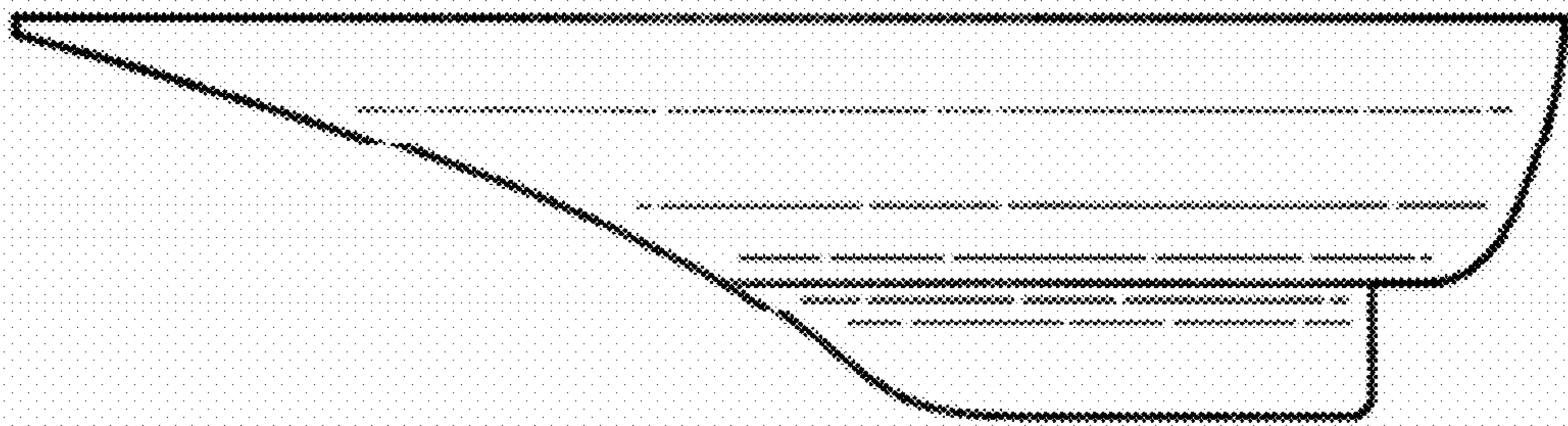


FIG. 4

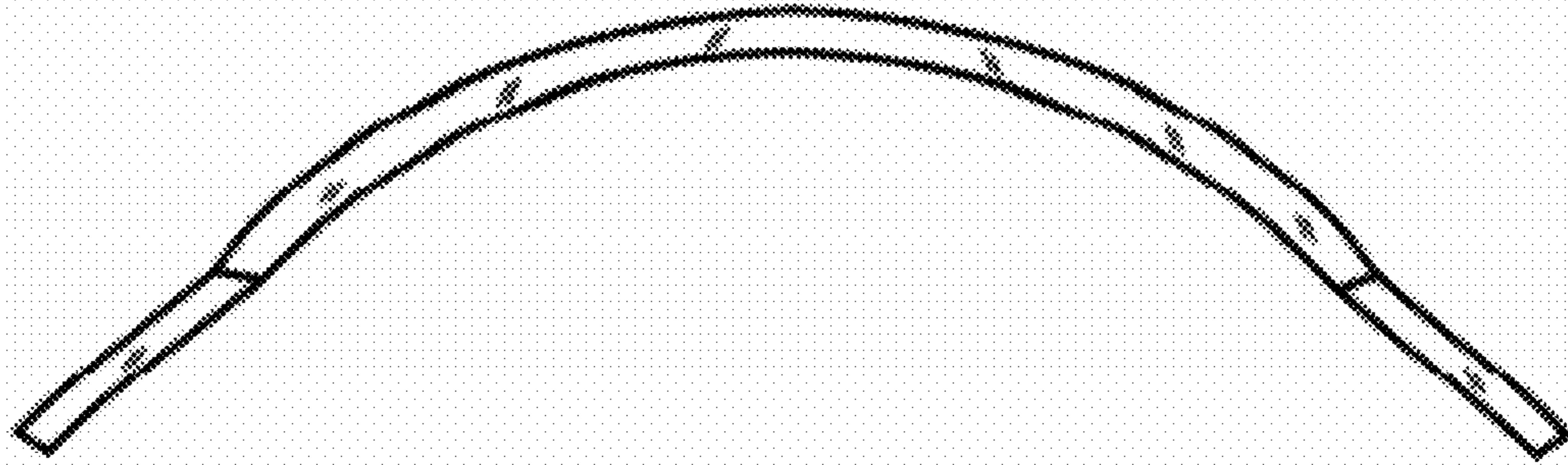


FIG. 5

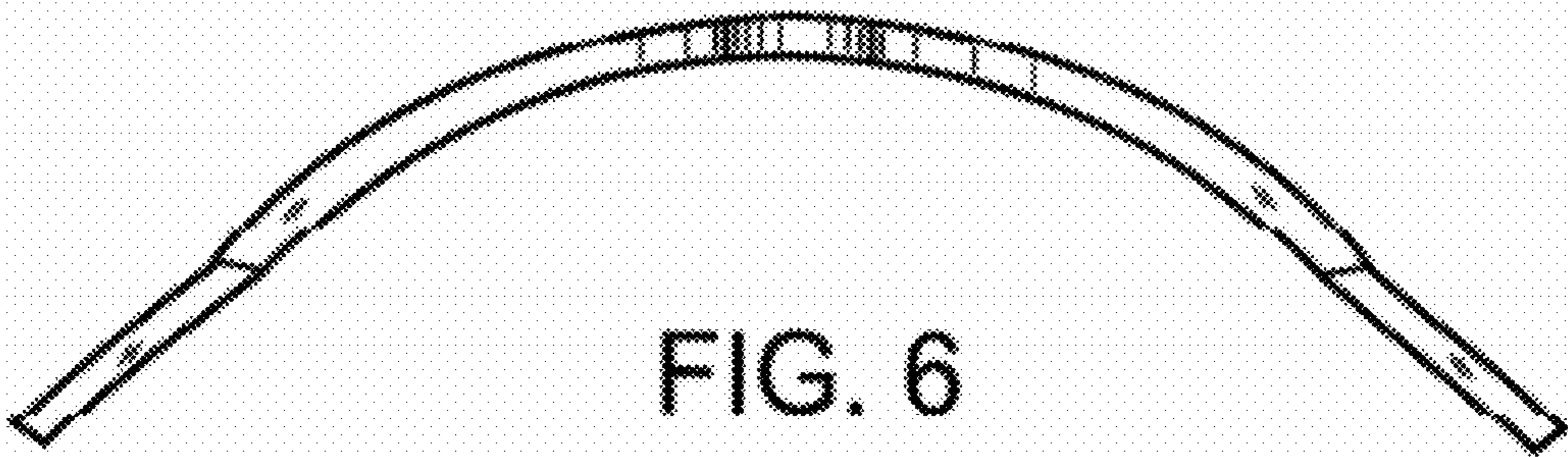


FIG. 6

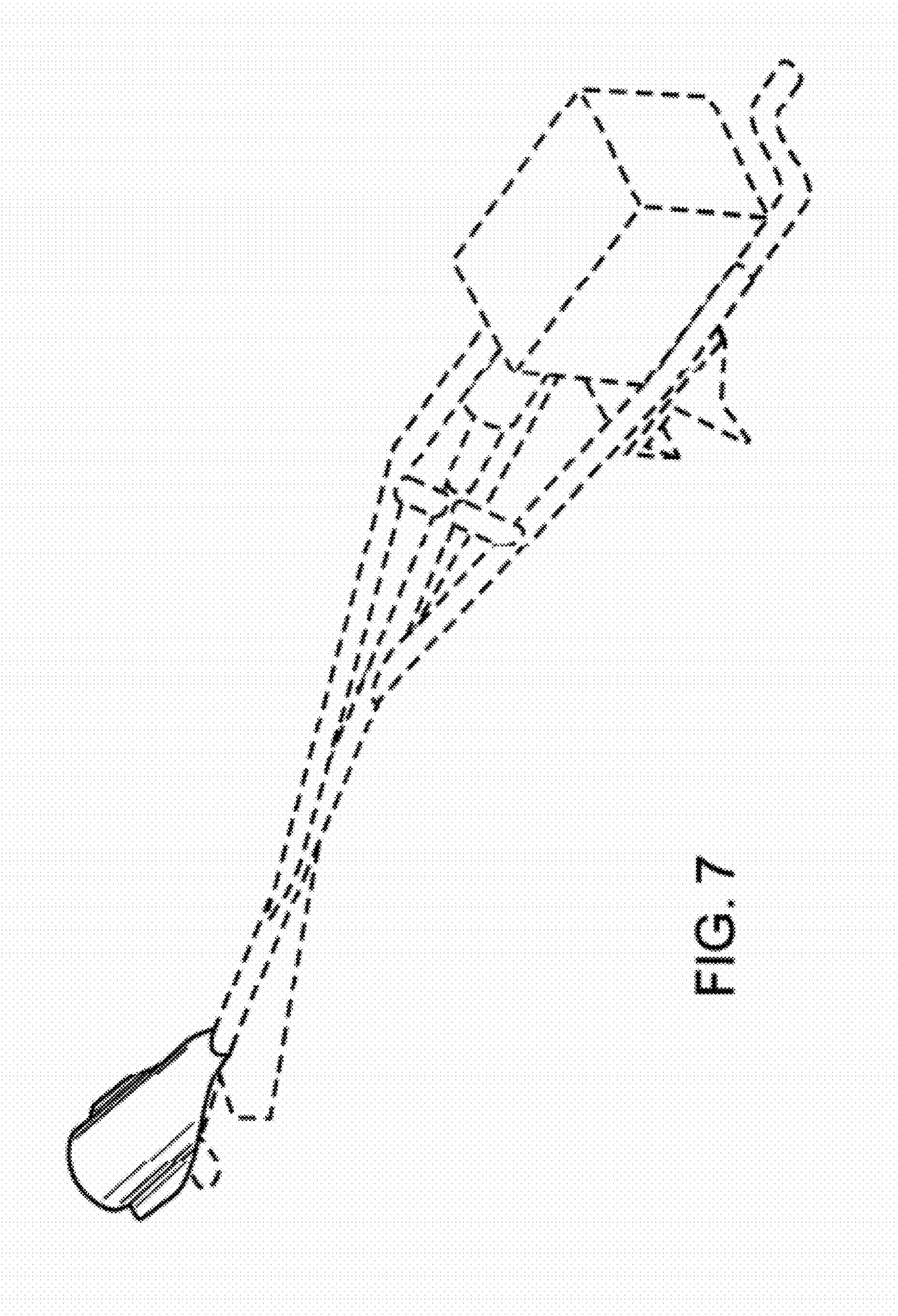


FIG. 7