

US00D670228S

(12) **United States Design Patent**
Gilk et al.

(10) **Patent No.:** **US D670,228 S**
(45) **Date of Patent:** **** Nov. 6, 2012**

(54) **TUBULAR LONG SHAFT PROPELLER**
(76) Inventors: **Arlon J. Gilk**, Albany, MN (US);
Lawrence L. Hoeschen, Freeport, MN
(US)
(**) Term: **14 Years**
(21) Appl. No.: **29/413,580**
(22) Filed: **Feb. 17, 2012**
(51) **LOC (9) Cl.** **12-16**
(52) **U.S. Cl.** **D12/214; D15/4**
(58) **Field of Classification Search** D12/214,
D12/300, 317; D15/1, 4, 5; 114/144 R;
440/49-51, 53, 55, 57, 63, 75, 83; 416/62
See application file for complete search history.

3,131,940 A 5/1964 Ertaud
3,131,942 A 5/1964 Ertaud
3,150,822 A 9/1964 Dreyfus et al.
3,151,597 A 10/1964 Larsen
3,331,101 A 7/1967 Thomas, Jr.
3,355,179 A 11/1967 McGrew, Jr.
3,430,603 A 3/1969 Parish
3,575,477 A 4/1971 Newsome
3,587,510 A 6/1971 Shimanckas
3,599,595 A 8/1971 James
3,622,164 A 11/1971 Herbert et al.
3,752,111 A 8/1973 Meynier
3,752,489 A 8/1973 Latinen
3,768,432 A 10/1973 Spaulding
3,940,150 A 2/1976 Martin et al.
3,942,803 A 3/1976 Wijnant et al.
D259,488 S 6/1981 Carter et al.
4,295,835 A 10/1981 Mapes et al.
4,491,374 A 1/1985 Hagshenas et al.

(Continued)

(56) **References Cited**

U.S. PATENT DOCUMENTS

450,004 A 4/1891 Daley
682,027 A 9/1901 Burgess
904,313 A 11/1908 Davis
941,827 A 11/1909 Trouche
1,211,106 A 1/1917 Doeg
1,335,412 A 3/1920 Weaver
1,831,739 A * 11/1931 Decker 440/63
1,953,599 A 4/1934 Grimes
2,014,859 A 9/1935 Mitchell, Jr.
2,038,299 A 4/1936 Kohlhagen
2,096,223 A 10/1937 Chandler et al.
2,195,774 A 4/1940 Freeman et al.
2,442,728 A 6/1948 Kiekhaefer
2,487,177 A 11/1949 Pollock
2,528,628 A 11/1950 Whitney
2,537,943 A 1/1951 Brown
2,549,477 A 4/1951 Kiekhaefer
2,549,484 A 4/1951 Kiekhaefer
2,656,812 A 10/1953 Kiekhaefer
2,860,594 A 11/1958 Kiekhaefer
2,896,565 A 7/1959 Stevens
2,996,035 A * 8/1961 Torrey 440/53

OTHER PUBLICATIONS

“Skeg”, Wikipedia, the free encyclopedia, Feb. 16, 2011, HTTP://en.wikipedia.org/w/index.php?title=Skeg, 1 page.

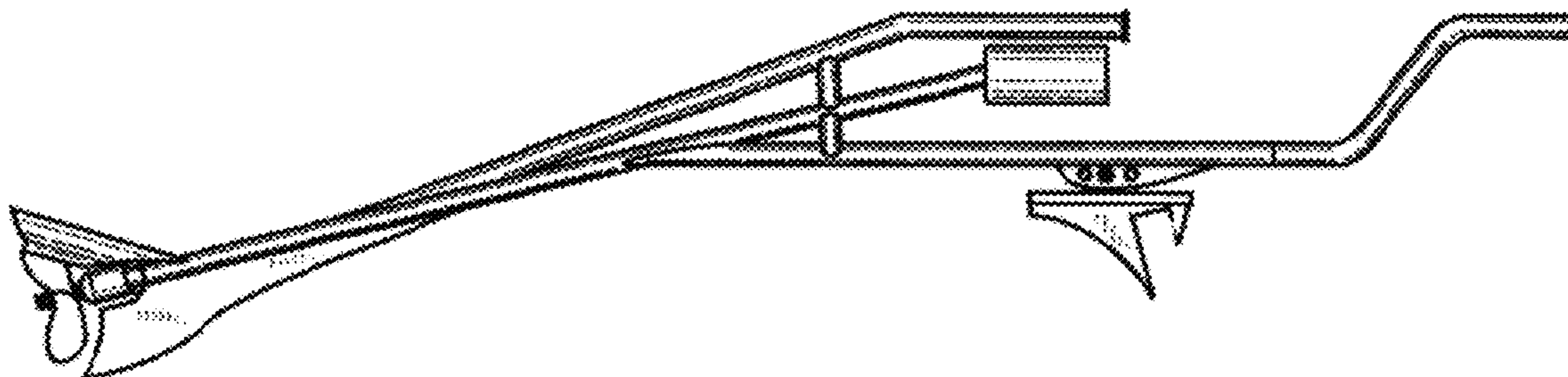
Primary Examiner — Caron D Veynar
Assistant Examiner — Martie K Holtje
(74) *Attorney, Agent, or Firm* — Albert W. Watkins

(57) **CLAIM**
We claim the ornamental design for a tubular long shaft propeller, as shown and described.

DESCRIPTION

FIG. 1 is a top plan view showing my new design;
FIG. 2 is a bottom plan view thereof;
FIG. 3 is a right side elevation view thereof, the left side elevation view being a mirror image thereof;
FIG. 4 is a front elevation view thereof; and,
FIG. 5 is a rear elevation view thereof.

1 Claim, 2 Drawing Sheets



US D670,228 S

Page 2

U.S. PATENT DOCUMENTS			
4,549,949	A	10/1985	Guinn
4,597,742	A	7/1986	Finkl
4,636,175	A	1/1987	Frazzell et al.
4,676,756	A	6/1987	Rodrigue et al.
4,678,440	A	7/1987	Rodrigue et al.
4,708,672	A	11/1987	Bentz et al.
4,726,796	A	2/1988	Rivette, Jr. et al.
4,744,779	A	5/1988	Koehler
4,781,632	A	11/1988	Litjens et al.
4,804,312	A	2/1989	Schneekluth
4,820,212	A	4/1989	McElroy et al.
5,207,605	A	5/1993	Kroeber
5,558,498	A	9/1996	Ogino
5,667,415	A	9/1997	Arneson
5,673,643	A	10/1997	Poppa
5,800,224	A	9/1998	Ogino
5,820,425	A	10/1998	Ogino et al.
5,993,274	A *	11/1999	Rising et al. 440/53
6,155,893	A	12/2000	Belmont
6,234,854	B1 *	5/2001	Rydzewski 440/57
6,302,750	B1 *	10/2001	Foreman 440/83
6,358,008	B1	3/2002	Chen
6,361,388	B2	3/2002	Foreman
6,482,057	B1	11/2002	Schoell
6,524,069	B2	2/2003	Chen
6,571,653	B1	6/2003	Takeda et al.
6,966,806	B1	11/2005	Bruestle et al.
7,008,279	B2	3/2006	Ide et al.
7,048,600	B1 *	5/2006	Broussard 440/53
7,052,340	B1 *	5/2006	Broussard 440/75
7,056,092	B2	6/2006	Stahl
7,223,076	B2	5/2007	Mansson
7,297,035	B2 *	11/2007	Broussard 440/75
7,335,074	B2	2/2008	Arneson
7,387,553	B1	6/2008	Misorski et al.
7,488,225	B2	2/2009	Lin
7,575,490	B1	8/2009	Angel et al.
7,717,678	B2	5/2010	Chen
7,946,591	B2	5/2011	Pabst et al.
2001/0031586	A1 *	10/2001	Fisher 440/53

* cited by examiner

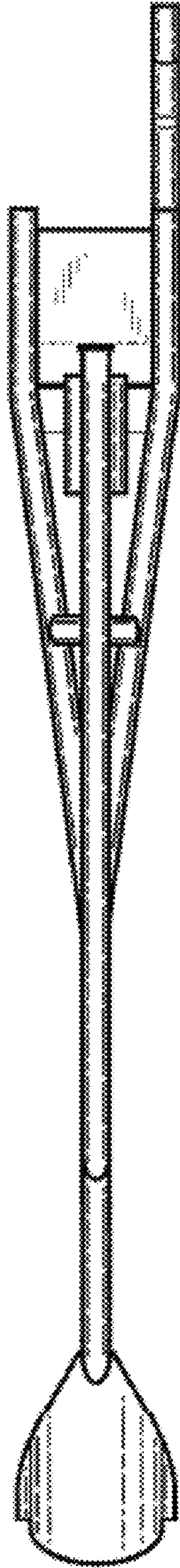


FIG. 1

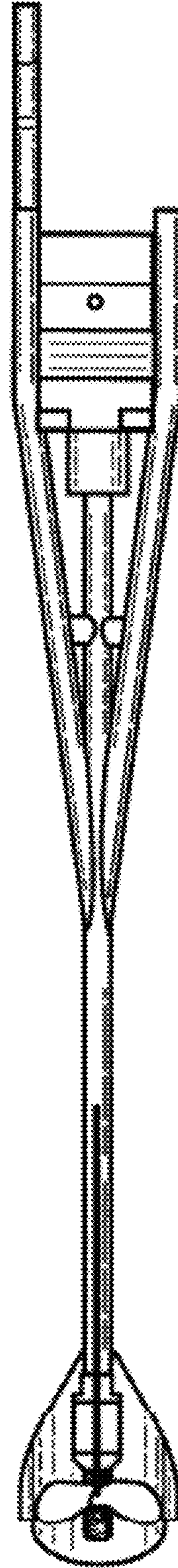


FIG. 2

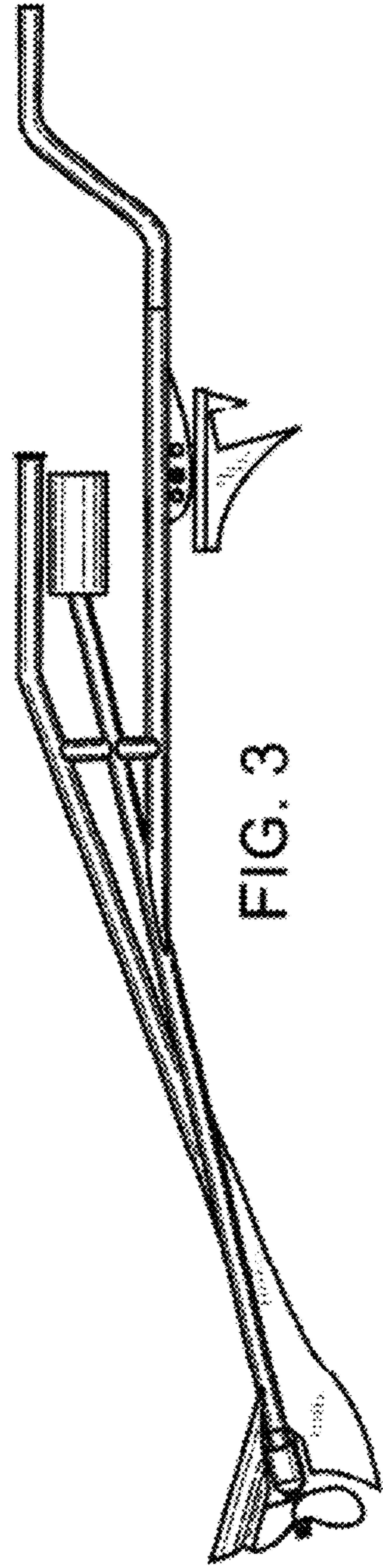


FIG. 3

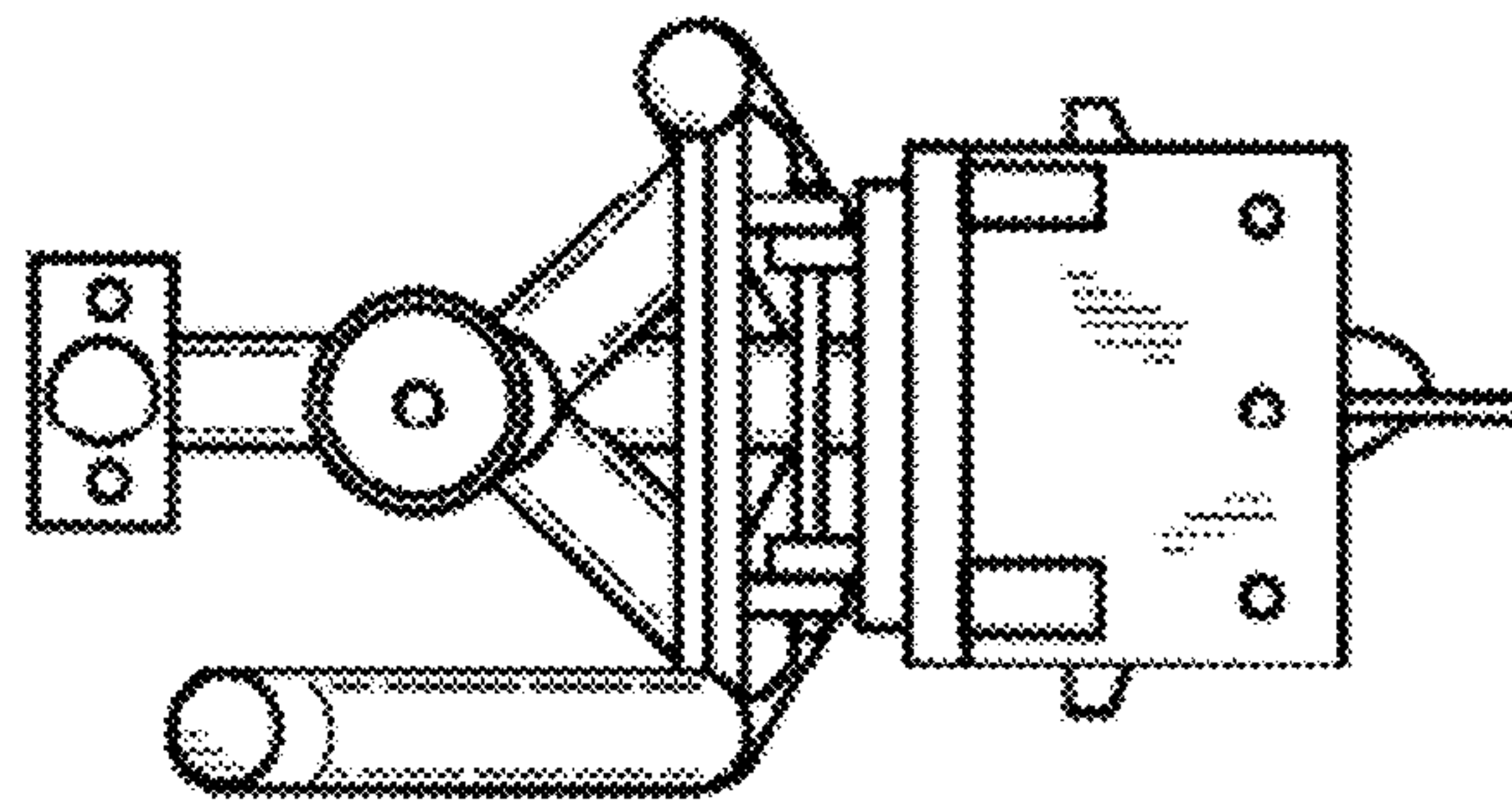


FIG. 4

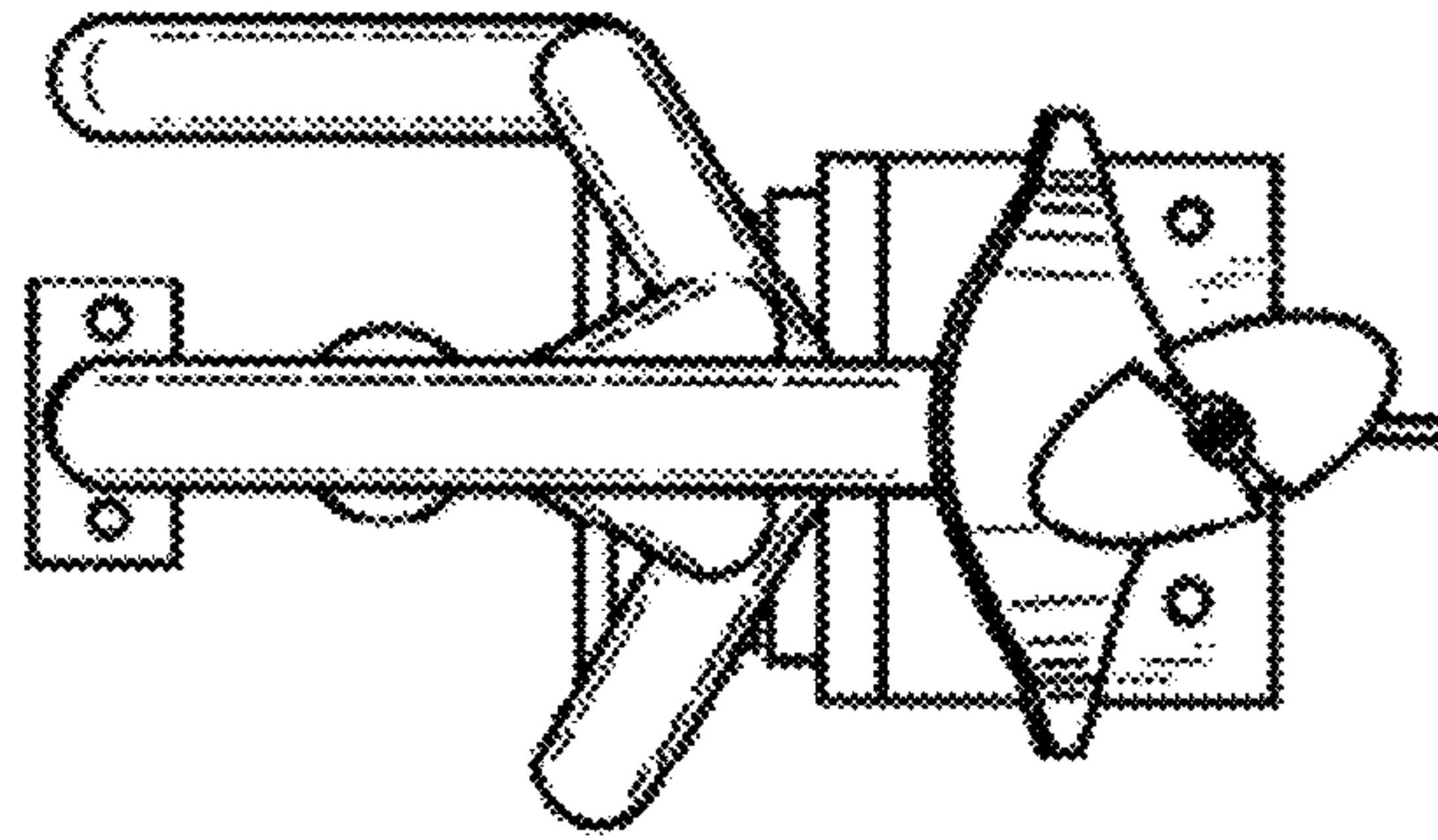


FIG. 5