



US00D670225S

(12) **United States Design Patent**  
**Müller**

(10) **Patent No.:** **US D670,225 S**

(45) **Date of Patent:** **\*\* Nov. 6, 2012**

(54) **WHEEL RIM**

(75) Inventor: **Peter Müller**, Raesfeld (DE)

(73) Assignee: **Brabus GmbH**, Bottrop (DE)

(\*\*) Term: **14 Years**

(21) Appl. No.: **29/413,297**

(22) Filed: **Feb. 14, 2012**

(30) **Foreign Application Priority Data**

Aug. 15, 2011 (EM) ..... 1904491

(51) **LOC (9) Cl.** ..... **12-16**

(52) **U.S. Cl.** ..... **D12/211**

(58) **Field of Classification Search** ..... D12/204-213;  
301/37.101, 64.101, 65, 64.201

See application file for complete search history.

(56) **References Cited**

**U.S. PATENT DOCUMENTS**

D416,849 S \* 11/1999 Weidhase ..... D12/211  
D438,503 S \* 3/2001 Syring ..... D12/211

D516,989 S \* 3/2006 Baum ..... D12/211  
D533,827 S \* 12/2006 Aydin ..... D12/211  
D546,748 S \* 7/2007 Young ..... D12/211  
D569,323 S \* 5/2008 Laengerer ..... D12/211  
D572,186 S \* 7/2008 Viandante ..... D12/211  
D578,455 S \* 10/2008 Pfeiffer ..... D12/211  
D591,661 S \* 5/2009 Baum ..... D12/209  
D617,709 S \* 6/2010 Borkert ..... D12/209  
D620,418 S \* 7/2010 Borkert ..... D12/209  
D655,234 S \* 3/2012 Zhao ..... D12/211  
D657,299 S \* 4/2012 Lee ..... D12/211

\* cited by examiner

*Primary Examiner* — Stacia Cadmus

(74) *Attorney, Agent, or Firm* — Gudrun E. Huckett

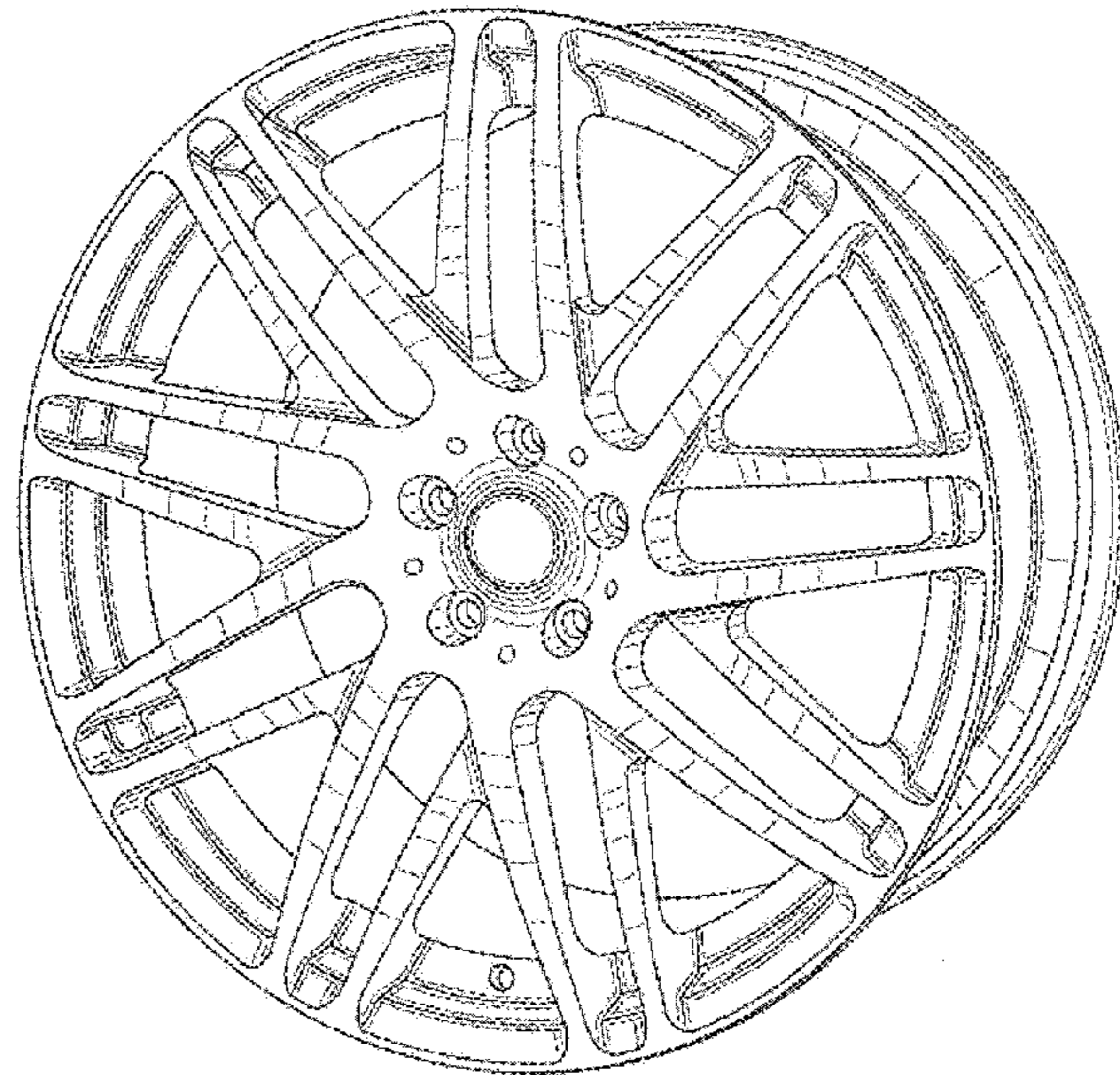
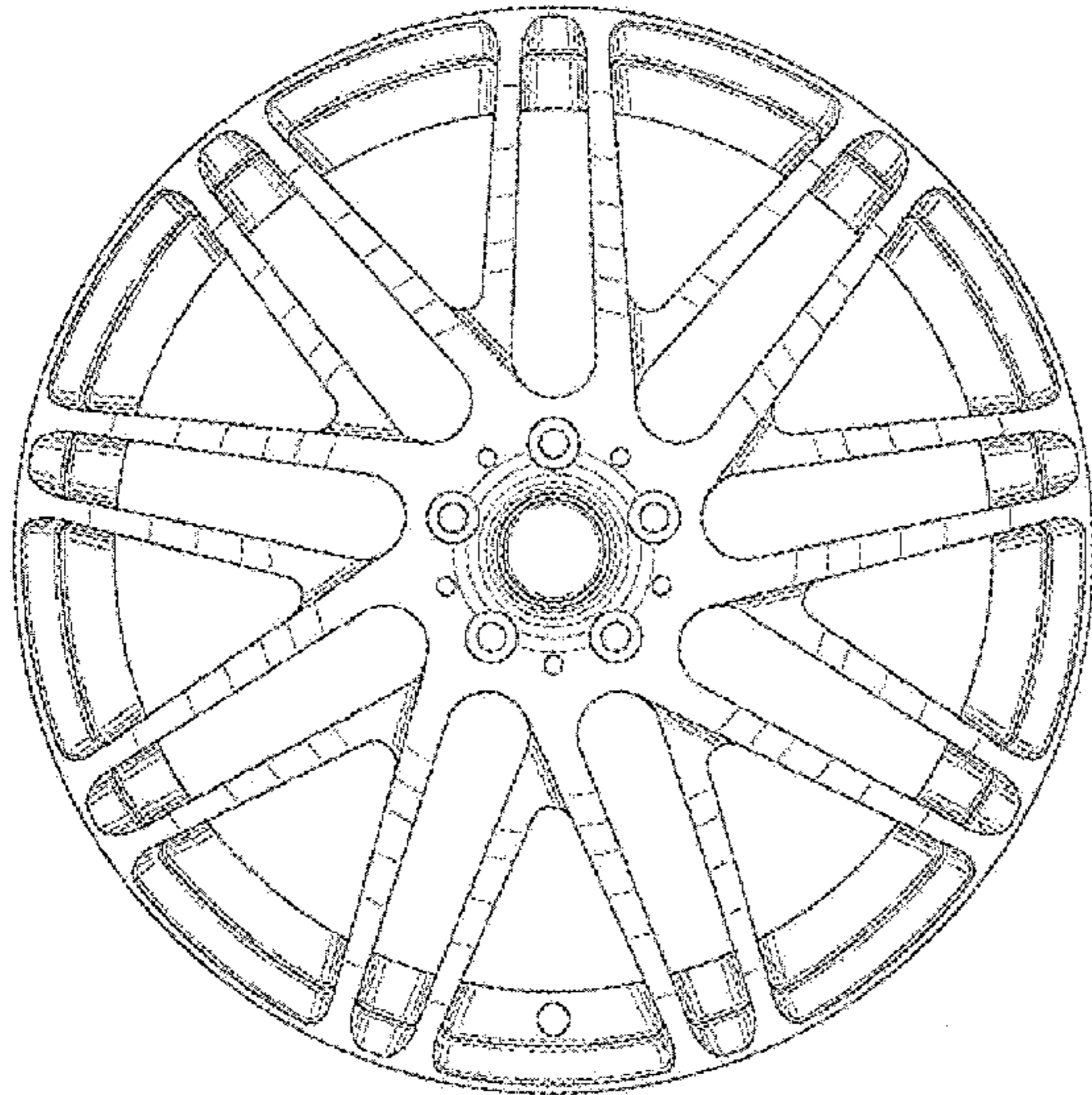
(57) **CLAIM**

The ornamental design for a wheel rim, as shown and described.

**DESCRIPTION**

FIG. 1 is a front view of my wheel rim; and,  
FIG. 2 is a perspective view of my wheel rim.

**1 Claim, 2 Drawing Sheets**



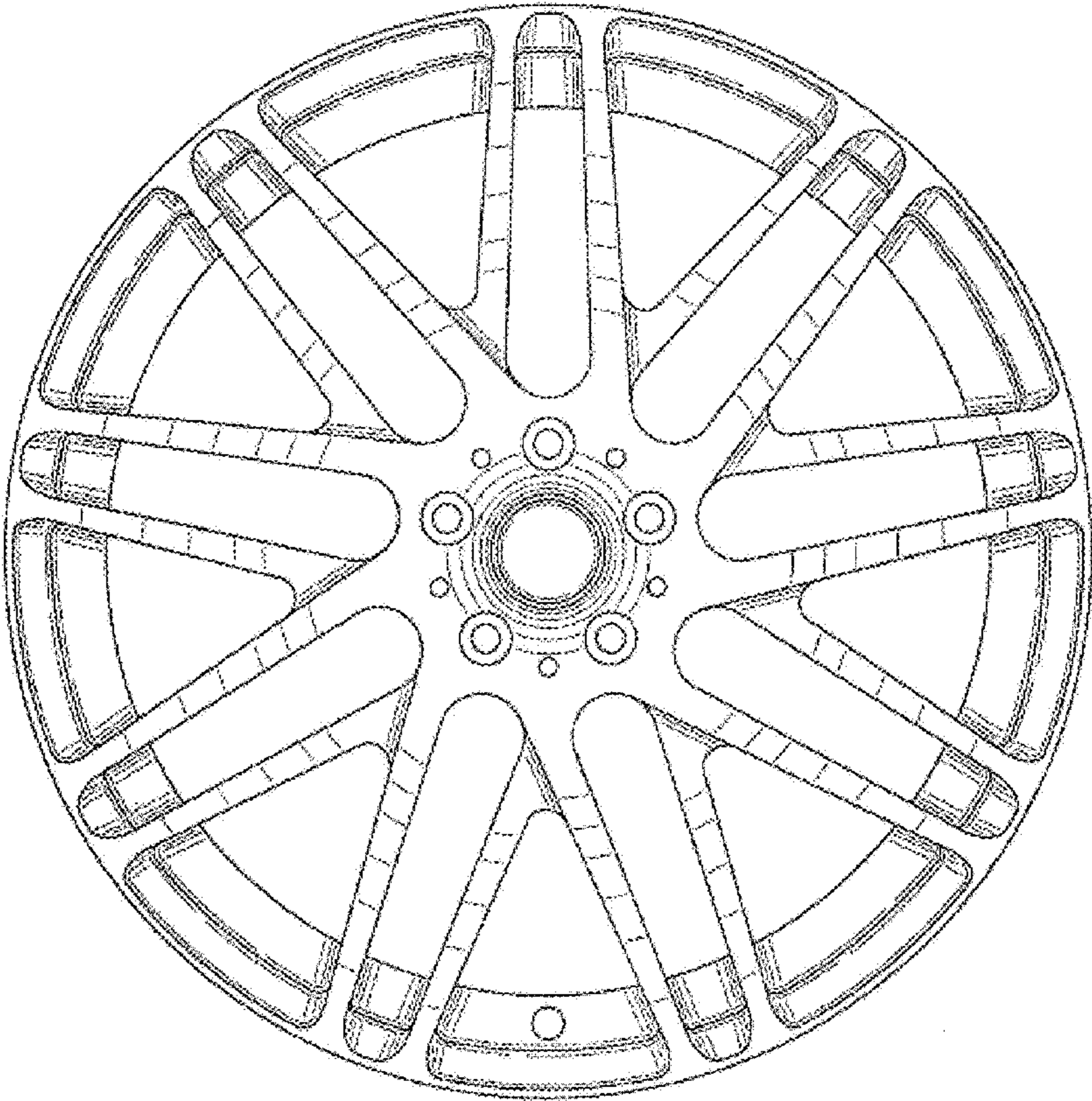


Fig. 1

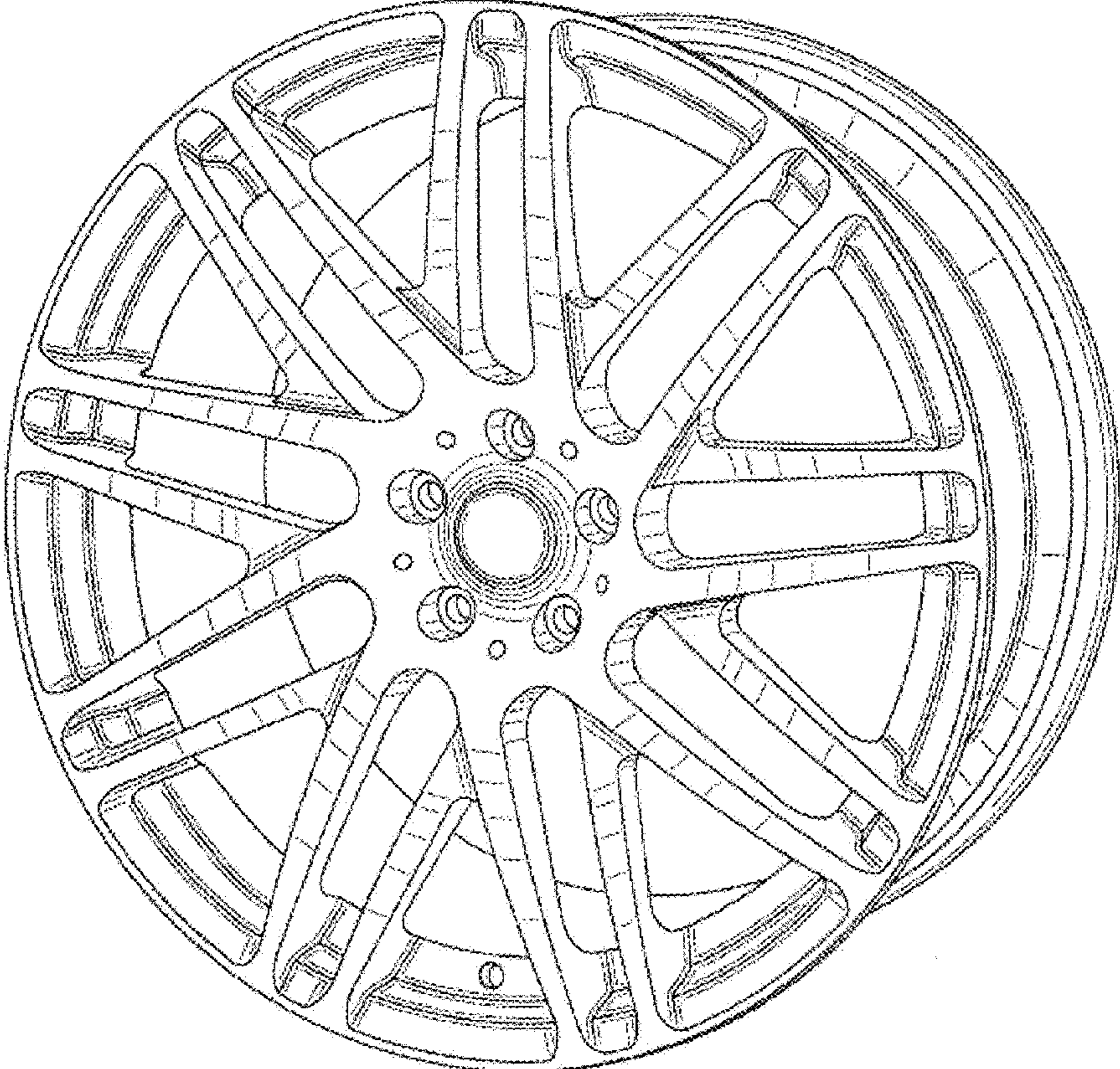


Fig. 2