



US00D670223S

(12) **United States Design Patent**
Chung

(10) **Patent No.:** **US D670,223 S**

(45) **Date of Patent:** **** Nov. 6, 2012**

(54) **AUTOMOTIVE WHEEL**

(76) Inventor: **Suny Chung**, Brea, CA (US)

(**) Term: **14 Years**

(21) Appl. No.: **29/421,394**

(22) Filed: **Jul. 16, 2012**

(51) **LOC (9) Cl.** **12-16**

(52) **U.S. Cl.** **D12/209**

(58) **Field of Classification Search** D12/204-213;
301/37.101, 64.101, 65, 64.201
See application file for complete search history.

| | | | |
|--------------|--------|---------------------------|---------|
| D540,732 S * | 4/2007 | Metros et al. | D12/211 |
| D566,641 S * | 4/2008 | Fuligni et al. | D12/211 |
| D576,537 S * | 9/2008 | Chung | D12/211 |
| D584,672 S * | 1/2009 | Osborne | D12/209 |
| D616,349 S * | 5/2010 | Kim | D12/209 |
| D620,869 S * | 8/2010 | Groom | D12/211 |
| D630,147 S * | 1/2011 | Sands | D12/211 |
| D654,005 S * | 2/2012 | Mueller-Stolz et al. | D12/209 |
| D656,444 S * | 3/2012 | Lee | D12/209 |

* cited by examiner

Primary Examiner — Stacia Cadmus

(57) **CLAIM**

The ornamental design for an automotive wheel, as shown and described.

(56) **References Cited**

U.S. PATENT DOCUMENTS

| | | | |
|--------------|---------|--------------------|---------|
| D404,000 S * | 1/1999 | Melbinger | D12/209 |
| D459,689 S * | 7/2002 | Hieke | D12/211 |
| D484,085 S * | 12/2003 | Tirado | D12/211 |
| D492,927 S * | 7/2004 | Fitzgerald | D12/211 |
| D520,432 S * | 5/2006 | Metros et al. | D12/211 |
| D530,258 S * | 10/2006 | Schell | D12/211 |
| D531,104 S * | 10/2006 | Kim | D12/209 |
| D539,725 S * | 4/2007 | Plumer et al. | D12/211 |

DESCRIPTION

FIG. 1 is a perspective view of an automotive wheel, showing my new design; and, FIG. 2 is a front view thereof. The broken line showing of the rear of the wheel is included for the purpose of illustrating environment and forms no part of the claimed design.

1 Claim, 2 Drawing Sheets

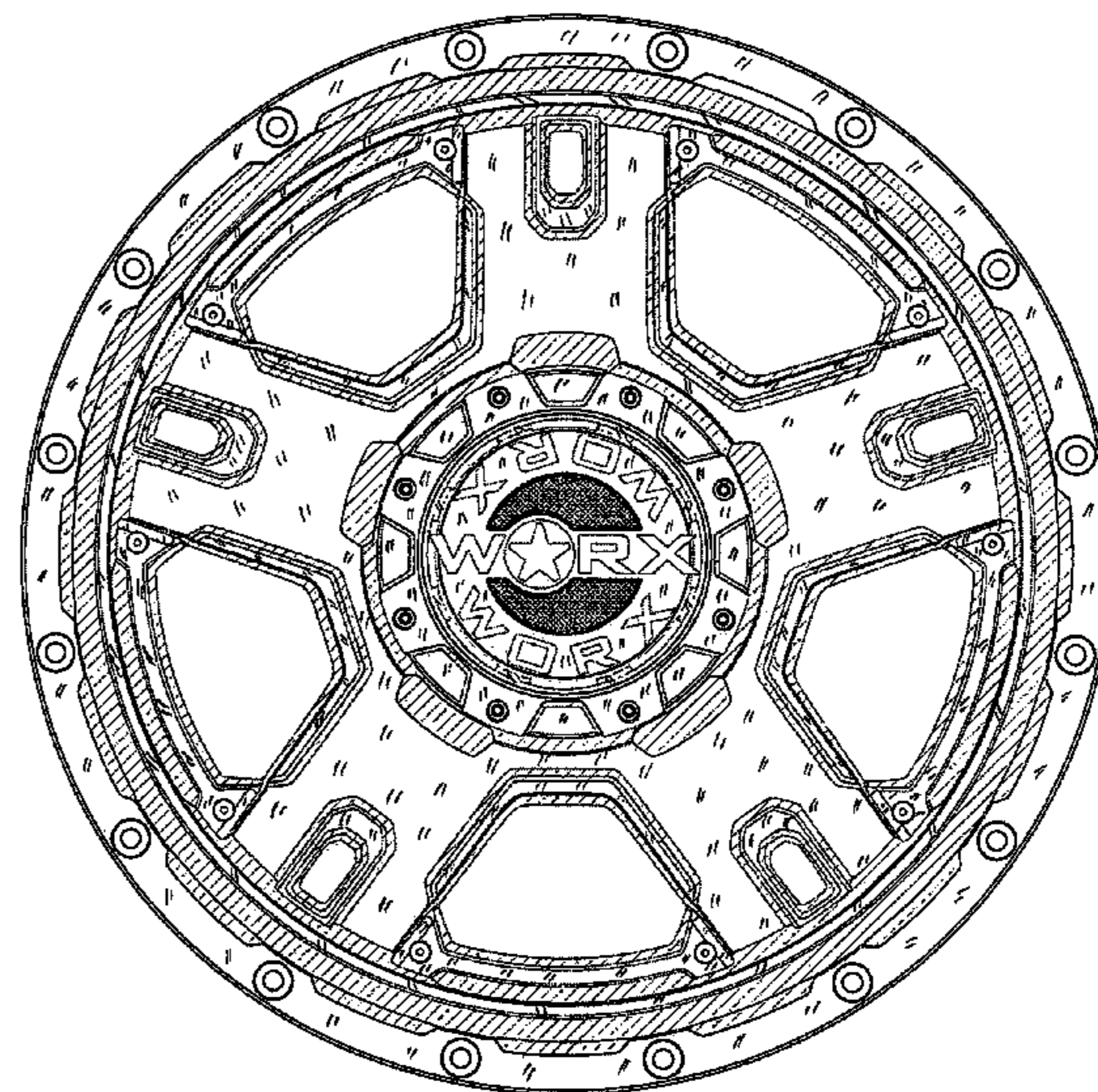
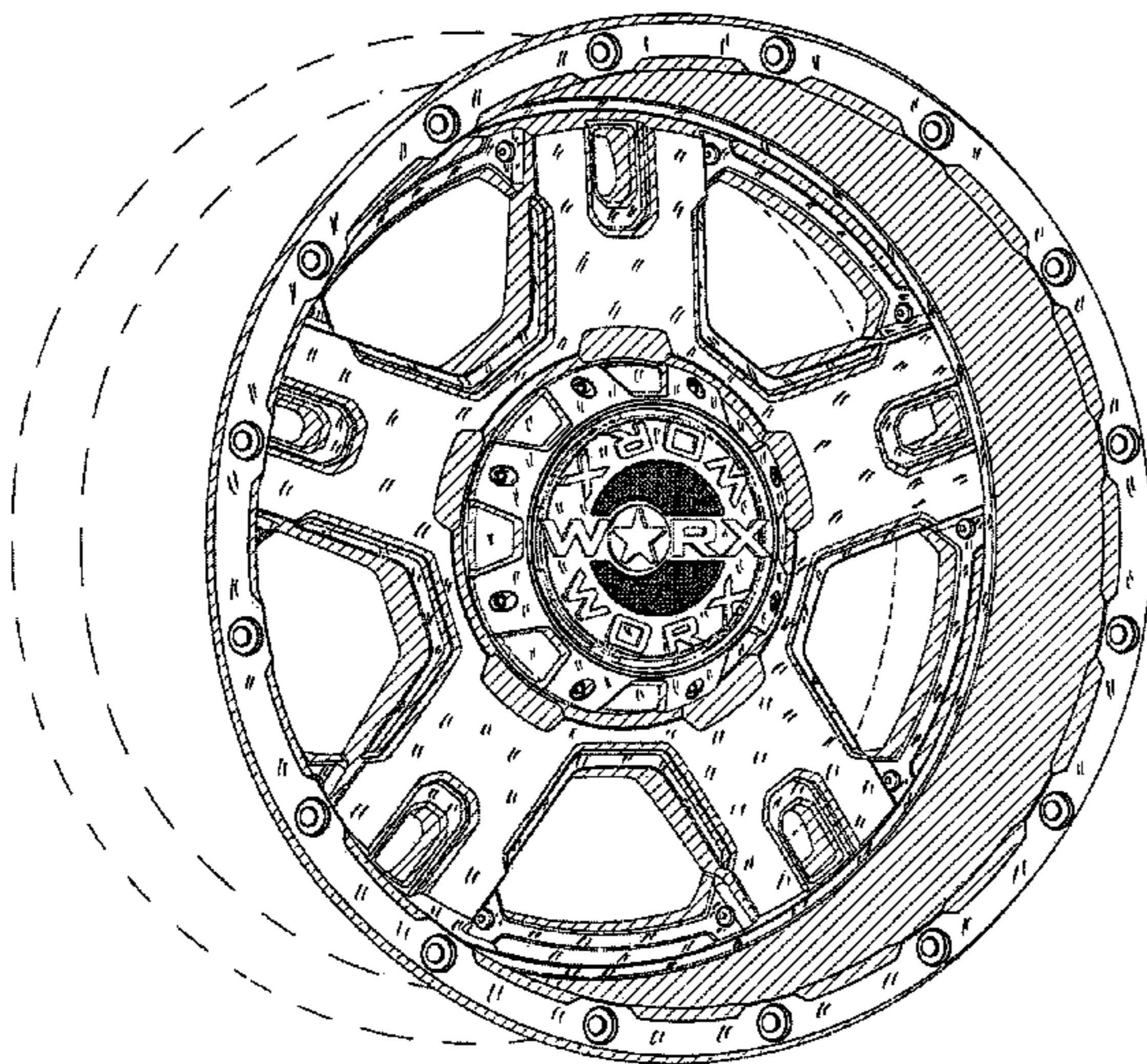


FIGURE 1

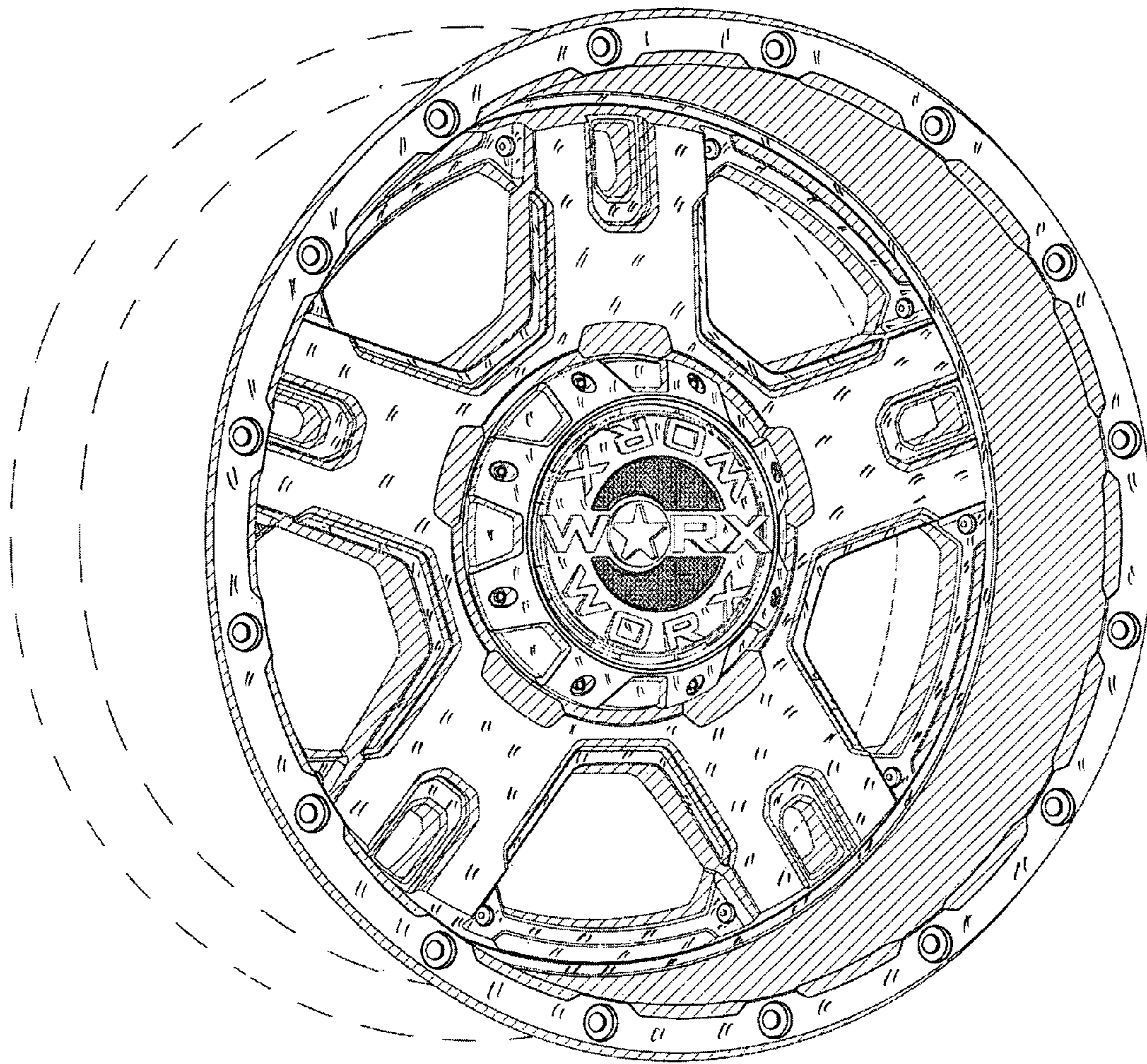


FIGURE 2

