



US00D670222S

(12) **United States Design Patent**
Chung

(10) **Patent No.:** **US D670,222 S**
(45) **Date of Patent:** **** Nov. 6, 2012**

(54) **AUTOMOTIVE WHEEL**

(76) Inventor: **Suny Chung**, Brea, CA (US)

(**) Term: **14 Years**

(21) Appl. No.: **29/421,393**

(22) Filed: **Jul. 16, 2012**

(51) **LOC (9) Cl.** **12-16**

(52) **U.S. Cl.** **D12/209**

(58) **Field of Classification Search** D12/204-213;
301/37.101, 64.101, 65, 64.201
See application file for complete search history.

(56) **References Cited**

U.S. PATENT DOCUMENTS

| | | | | |
|--------------|---------|--------|-------|---------|
| D445,078 S * | 7/2001 | Chung | | D12/209 |
| D527,699 S * | 9/2006 | Kiesel | | D12/209 |
| D553,063 S * | 10/2007 | Pugh | | D12/209 |
| D571,274 S * | 6/2008 | Chung | | D12/209 |
| D584,673 S * | 1/2009 | Chung | | D12/209 |

| | | | | |
|--------------|---------|-----------|-------|---------|
| D597,462 S * | 8/2009 | Chung | | D12/209 |
| D620,863 S * | 8/2010 | Groom | | D12/209 |
| D638,763 S * | 5/2011 | Chung | | D12/209 |
| D639,222 S * | 6/2011 | Johnson | | D12/209 |
| D649,101 S * | 11/2011 | Hale, Jr. | | D12/209 |
| D659,064 S * | 5/2012 | Johnson | | D12/209 |
| D659,067 S * | 5/2012 | Lee | | D12/209 |

* cited by examiner

Primary Examiner — Stacia Cadmus

(57) **CLAIM**

The ornamental design for an automotive wheel, as shown and described.

DESCRIPTION

FIG. 1 is a perspective view of an automotive wheel, showing my new design; and,

FIG. 2 is a front view thereof.

The broken line showing of the rear of the wheel is included for the purpose of illustrating environment and forms no part of the claimed design.

1 Claim, 2 Drawing Sheets

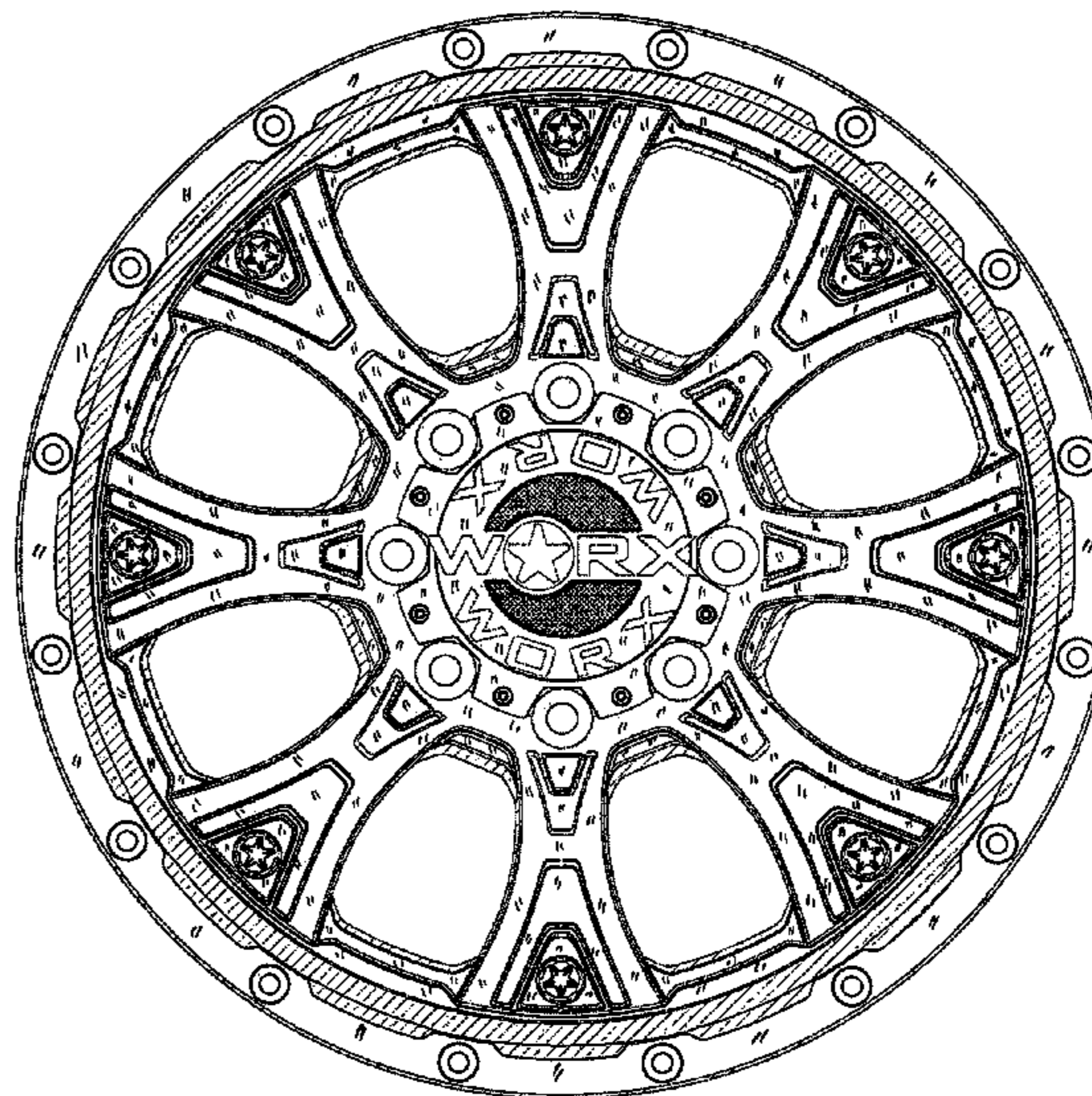
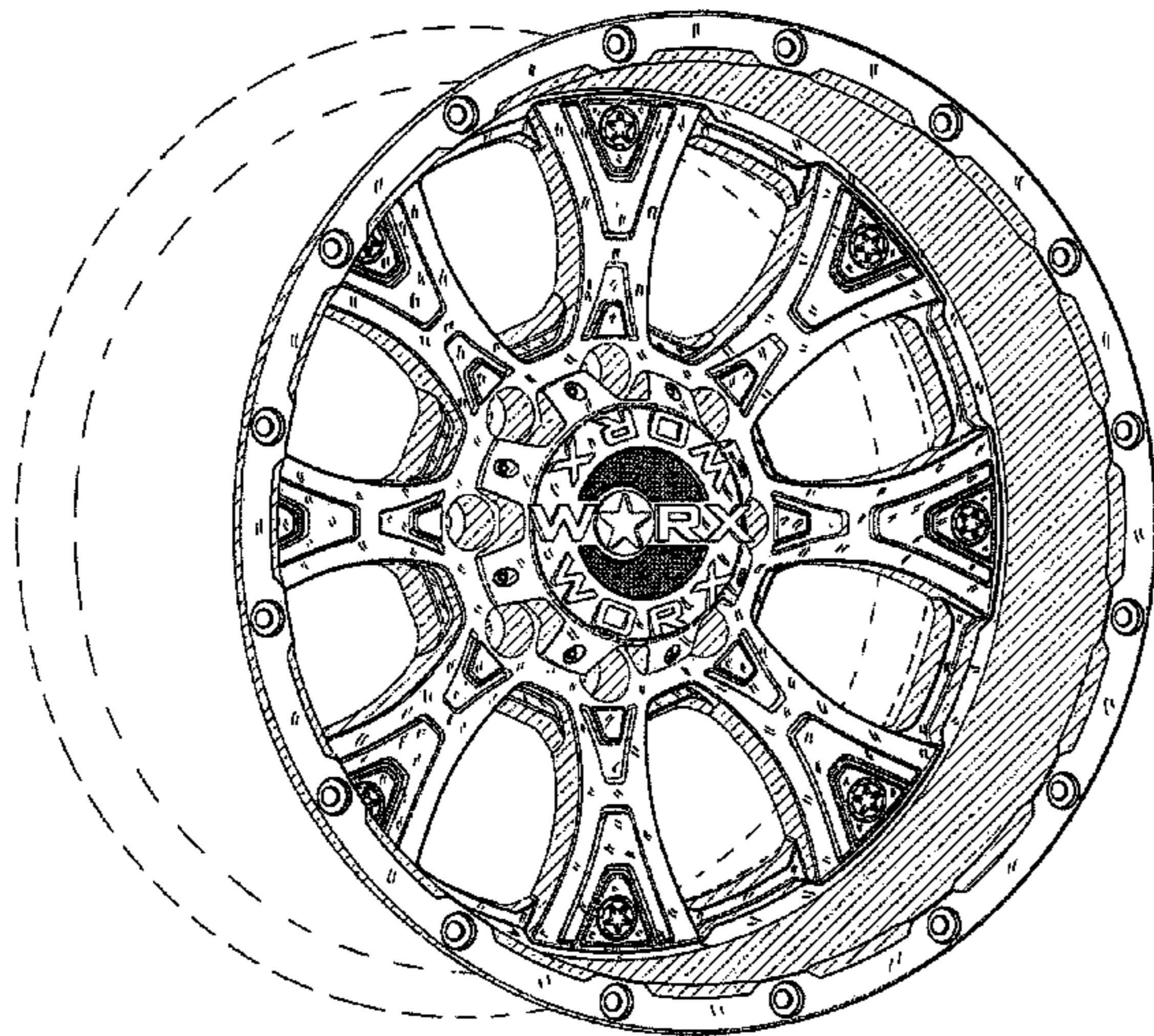


FIGURE 1

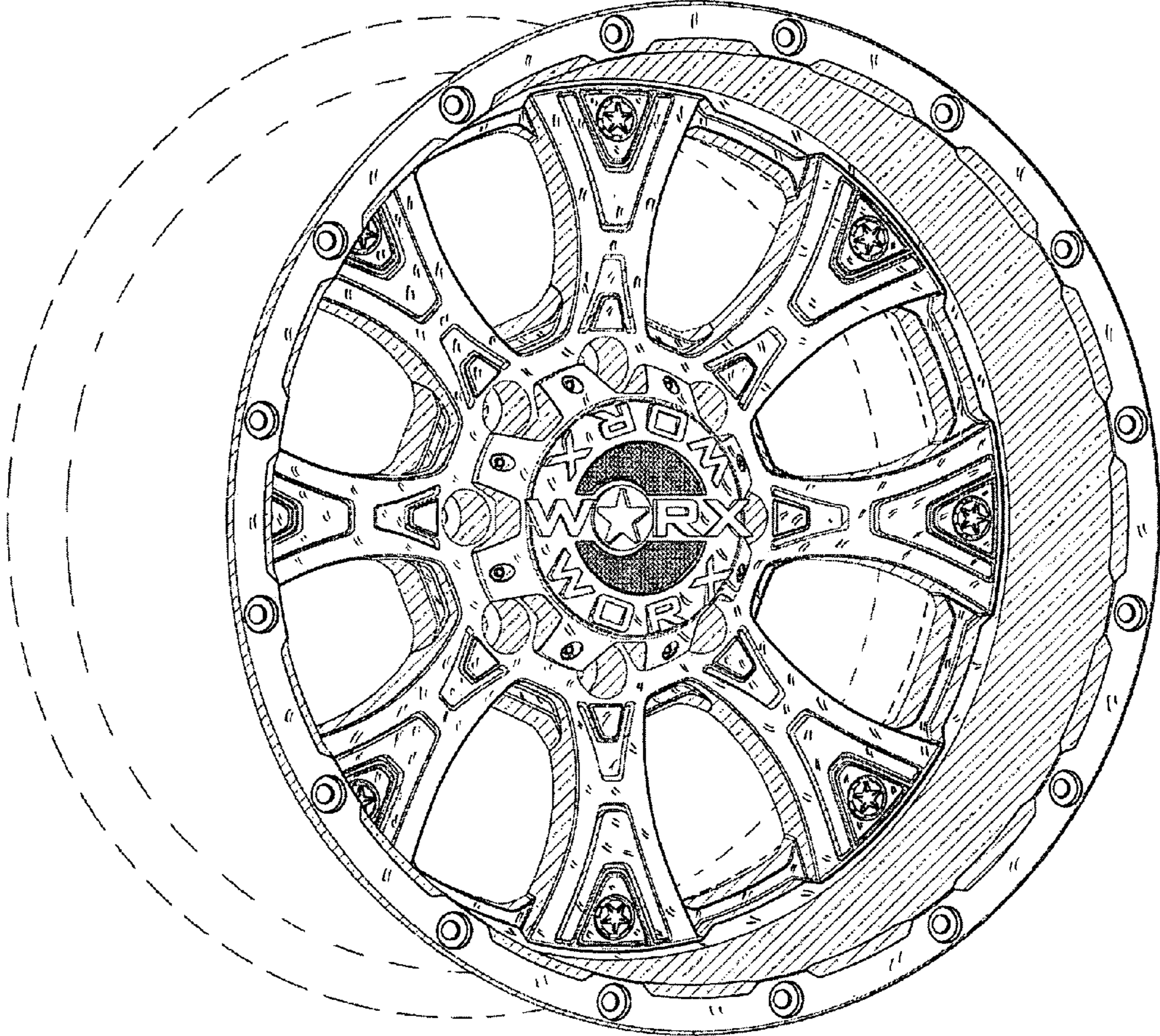


FIGURE 2

