



US00D670216S

(12) **United States Design Patent**  
**Watanabe**

(10) **Patent No.:** **US D670,216 S**  
(45) **Date of Patent:** **\*\* Nov. 6, 2012**

(54) **FRONT BUMPER FOR AUTOMOBILE**

D634,681 S \* 3/2011 Hirabayashi ..... D12/169  
D637,534 S \* 5/2011 Miyazawa et al. .... D12/169  
D661,232 S \* 6/2012 Okumoto et al. .... D12/169

(75) Inventor: **Kazuhiko Watanabe**, Atsugi (JP)

**FOREIGN PATENT DOCUMENTS**

(73) Assignee: **Nissan Motor Co., Ltd.**, Yokohama (JP)

JP 1330474 S 5/2008  
JP 1334567 S 6/2008

(\*\*) Term: **14 Years**

\* cited by examiner

(21) Appl. No.: **29/403,024**

*Primary Examiner* — Melody N Brown

(22) Filed: **Sep. 30, 2011**

(74) *Attorney, Agent, or Firm* — Global IP Counselors, LLP

(30) **Foreign Application Priority Data**

(57) **CLAIM**

The ornamental design for a front bumper for an automobile, as shown and described.

Apr. 5, 2011 (JP) ..... 2011-007865

**DESCRIPTION**

(51) **LOC (9) Cl.** ..... **12-16**

FIG. 1 is a front elevational view of a front bumper for an automobile showing my new design;

(52) **U.S. Cl.** ..... **D12/169**

FIG. 2 is a rear elevational view thereof;

(58) **Field of Classification Search** ..... D12/169,

FIG. 3 is a top plan view thereof;

D12/196, 171, 216, 163, 86, 90-92; 293/102,

FIG. 4 is a bottom plan view thereof;

293/113, 115, 117, 120; 296/180.1, 180.2

FIG. 5 is a right side elevational view thereof;

See application file for complete search history.

FIG. 6 is a left side elevational view thereof; and,

(56) **References Cited**

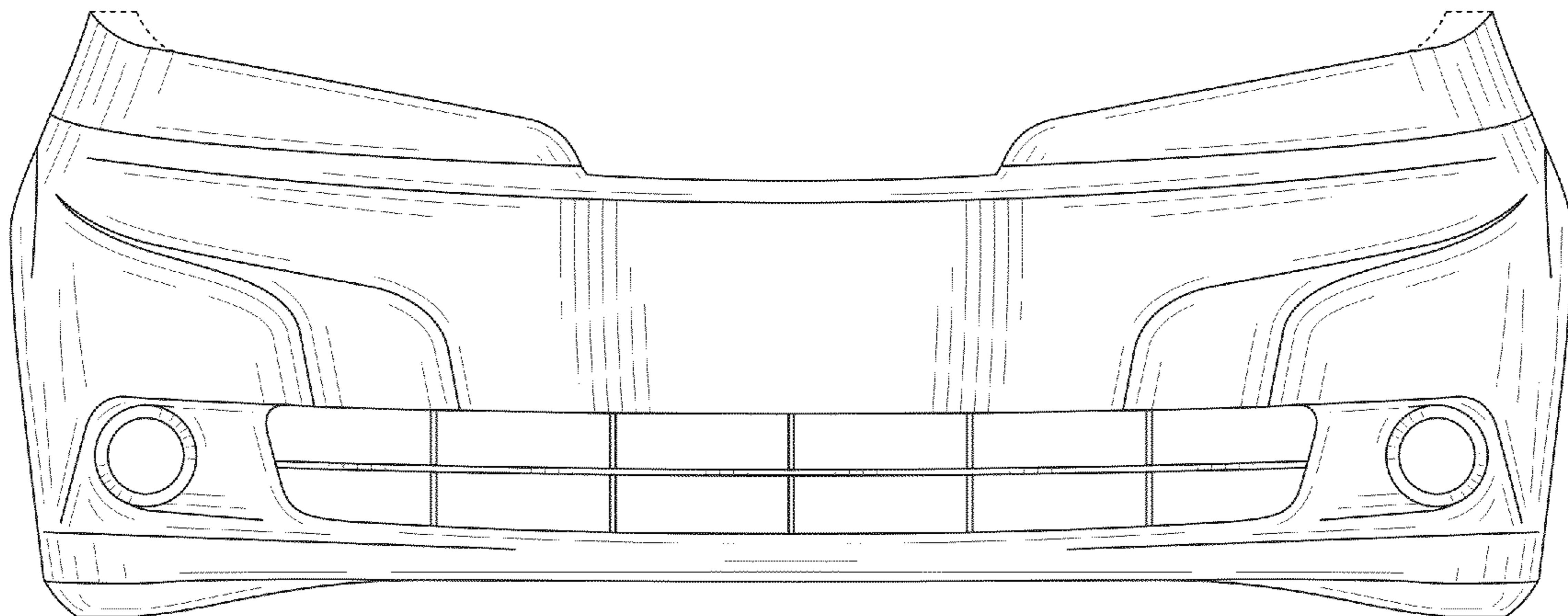
FIG. 7 is a front perspective view thereof.

**U.S. PATENT DOCUMENTS**

The broken line showing of the front bumper is for purpose of illustrating environmental structure and forms no part of the claimed design.

D627,277 S \* 11/2010 Cogswell ..... D12/169  
D631,406 S \* 1/2011 Kuze ..... D12/169  
D634,680 S \* 3/2011 Iida ..... D12/169

**1 Claim, 6 Drawing Sheets**



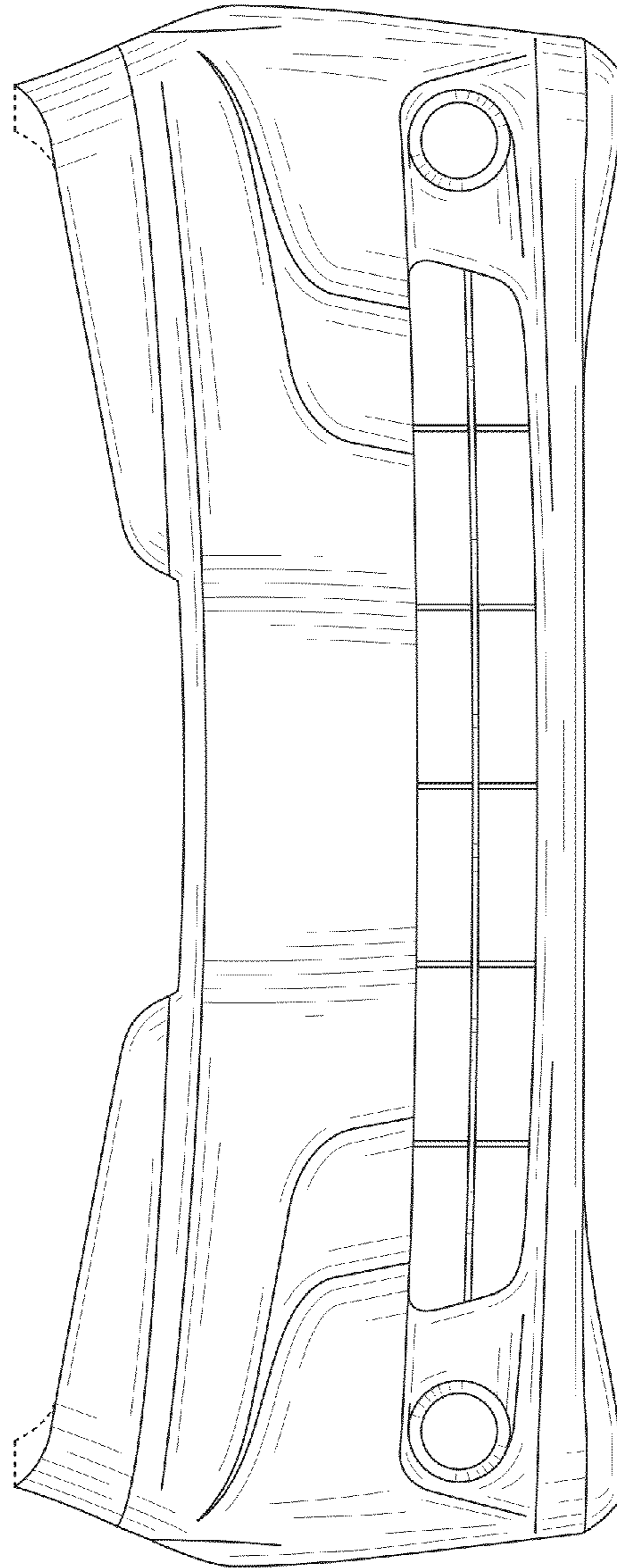


FIG. 1

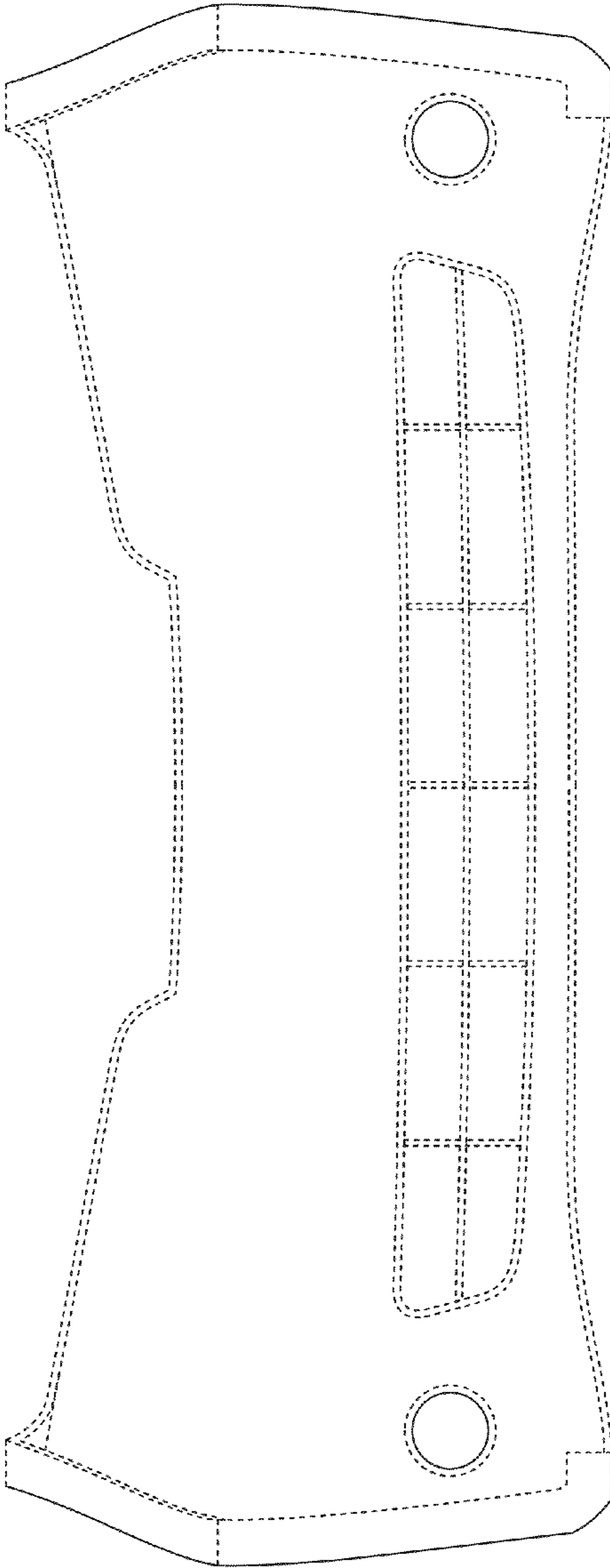


FIG. 2

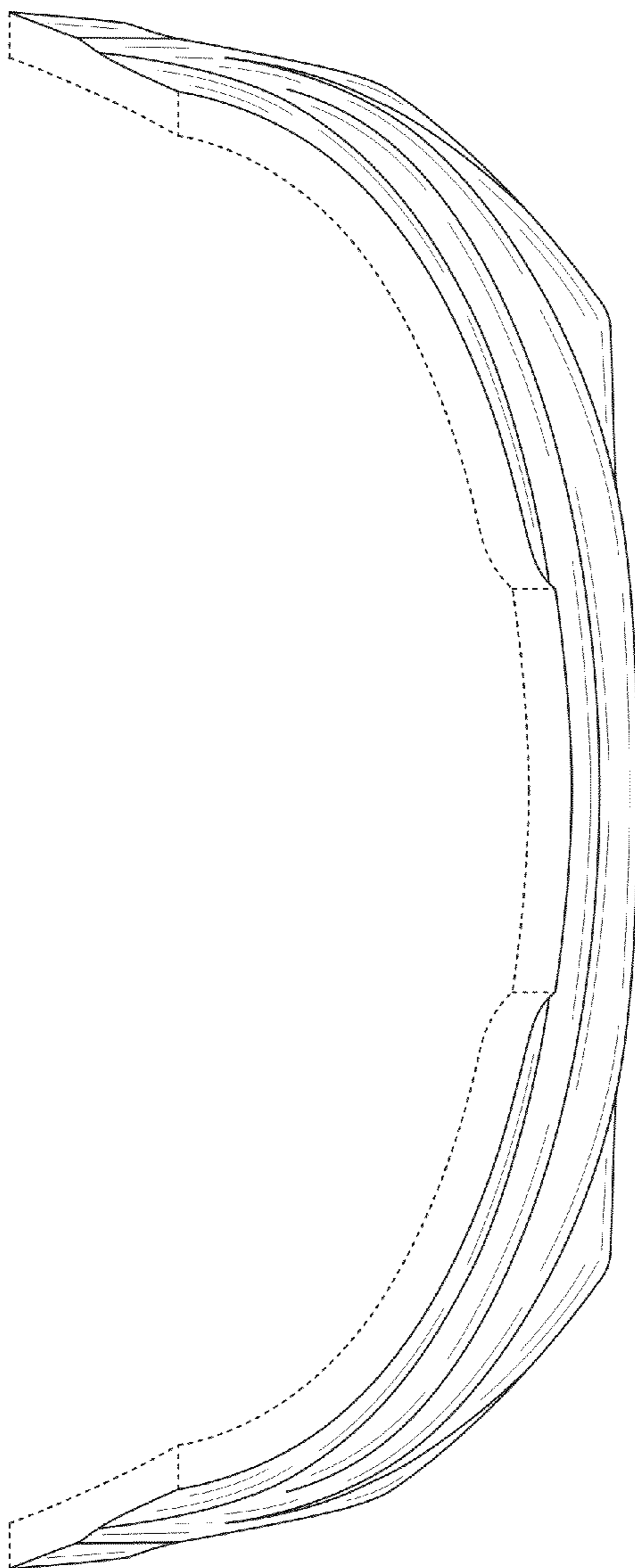


FIG. 3

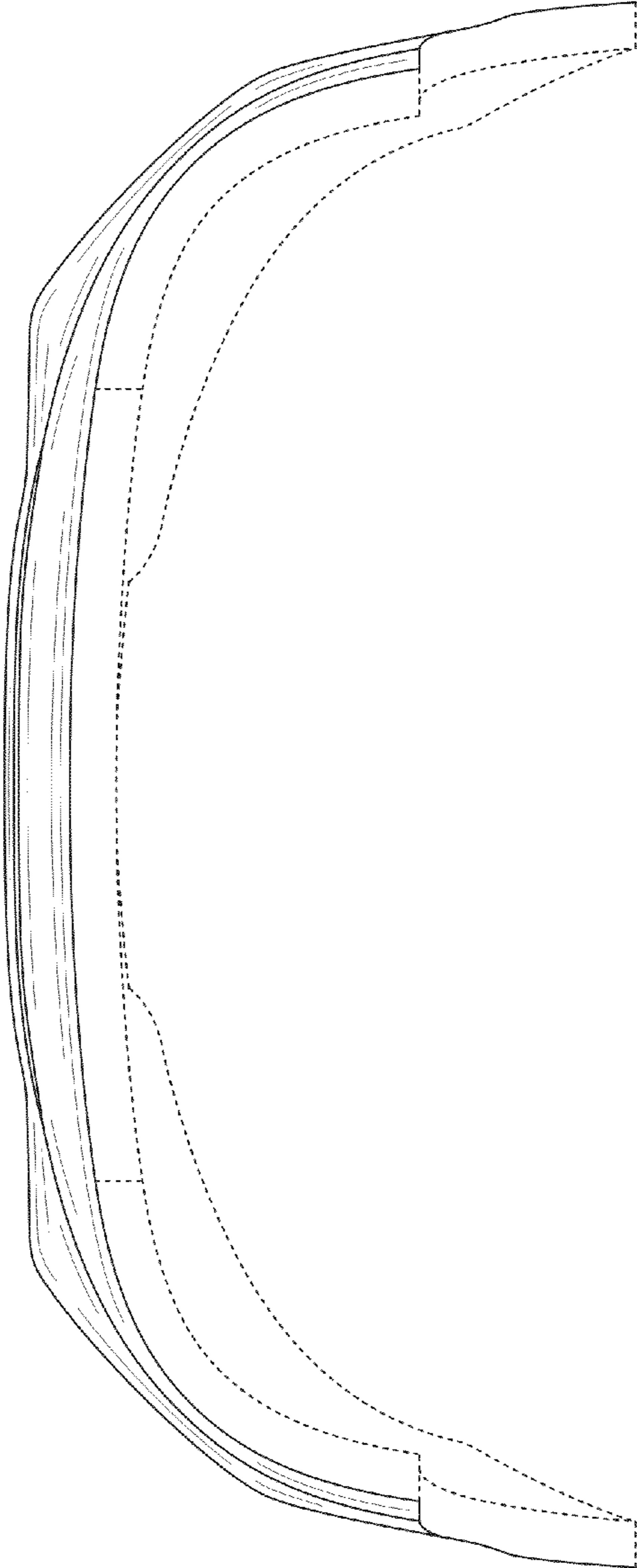


FIG. 4

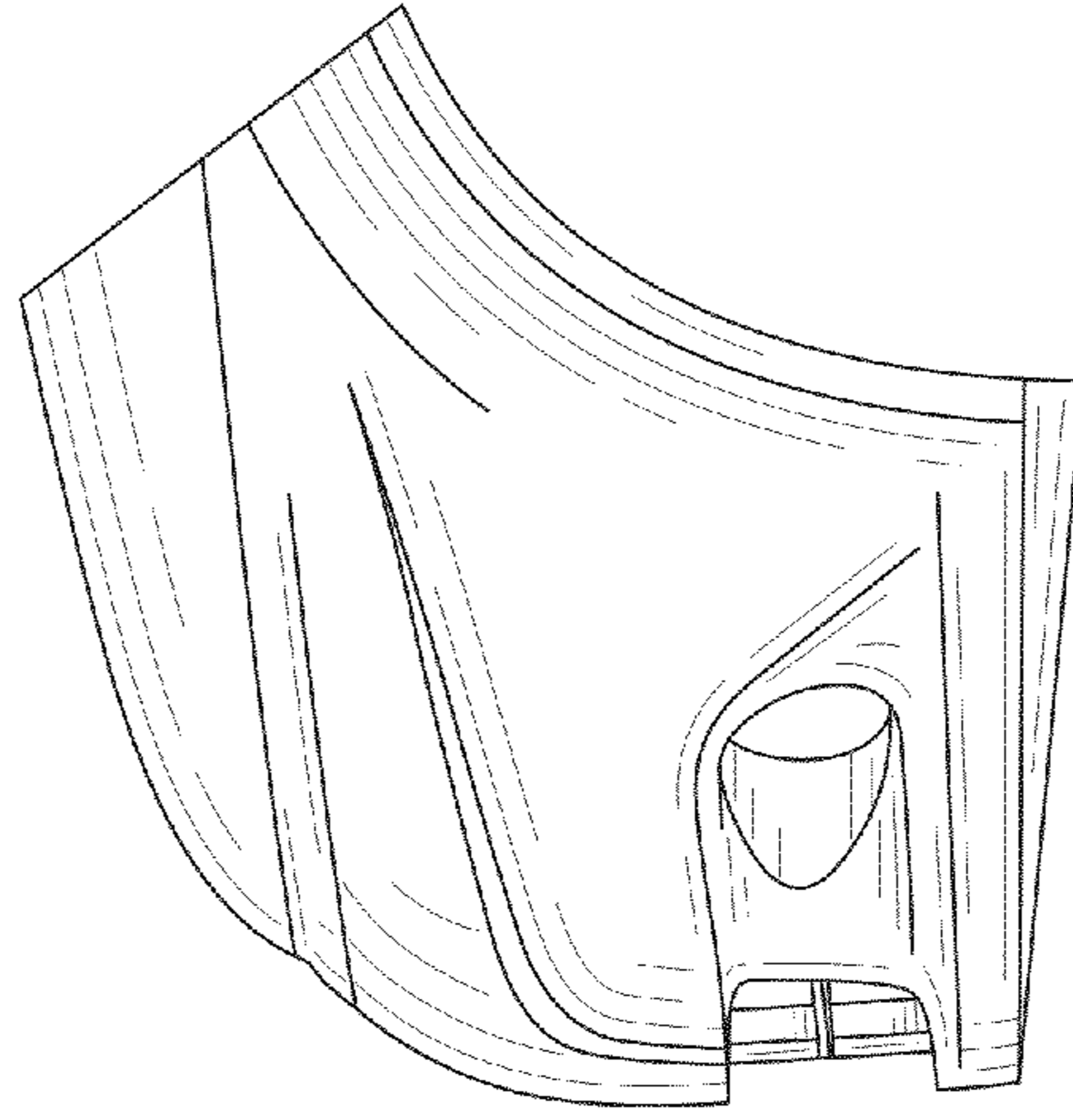


FIG. 6

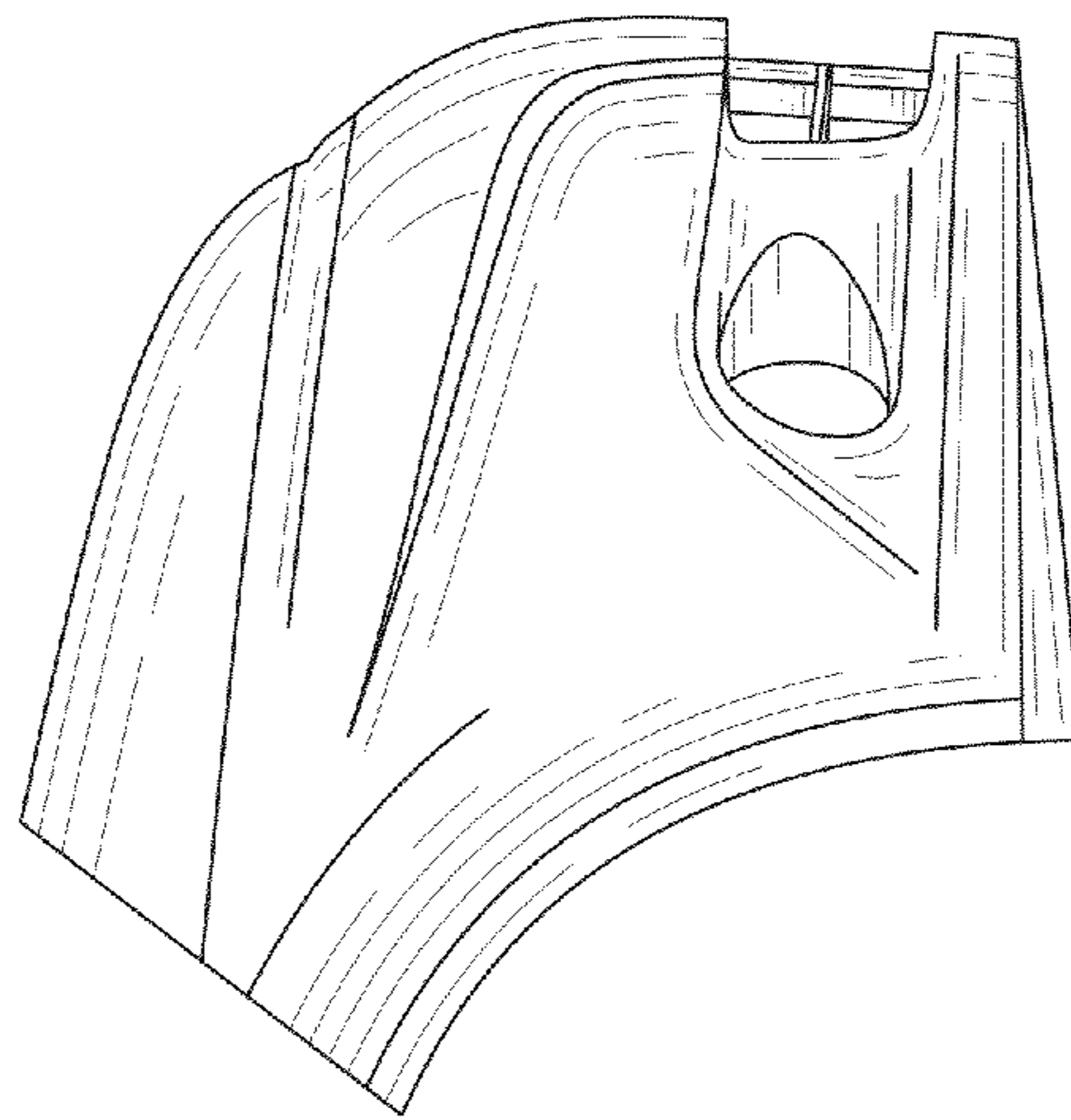


FIG. 5

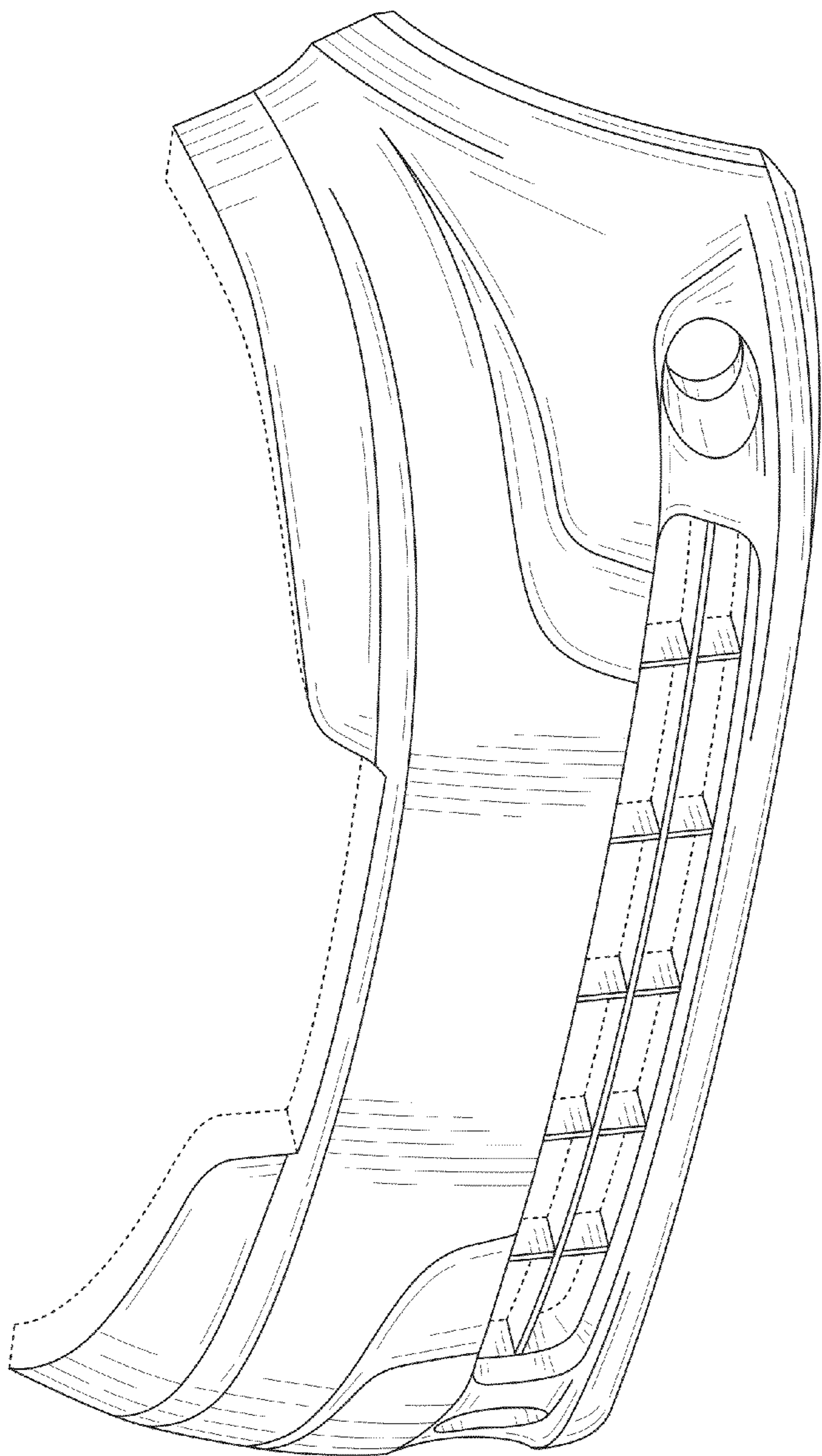


FIG. 7