



US00D670212S

(12) **United States Design Patent**
Stanifer et al.

(10) **Patent No.:** **US D670,212 S**
(45) **Date of Patent:** **** Nov. 6, 2012**

(54) **FIFTH WHEEL HITCH**
(75) Inventors: **Eric J. Stanifer**, Mishawaka, IN (US);
Richard W. McCoy, Granger, IN (US)
(73) Assignee: **Cequent Performance Products, Inc.**,
Plymouth, MI (US)
(**) Term: **14 Years**
(21) Appl. No.: **29/366,490**
(22) Filed: **Jul. 26, 2010**
(51) **LOC (9) Cl.** **12-16**
(52) **U.S. Cl.** **D12/161**
(58) **Field of Classification Search** D12/161,
D12/204, 400-401; 280/433; 135/88.05;
150/166; 384/421; 105/199.4
See application file for complete search history.

D488,412 S * 4/2004 Lindenman et al. D12/161
D495,279 S * 8/2004 Lindenman et al. D12/161
D500,715 S * 1/2005 Lindenman et al. D12/161
6,942,236 B2 9/2005 Lindenman et al.
7,140,632 B2 * 11/2006 Alguera et al. 280/433
D538,205 S * 3/2007 Roth-Schuler D12/161
7,234,905 B2 * 6/2007 Warnock 410/80
7,261,311 B2 * 8/2007 Lindenman et al. 280/433
7,264,259 B2 9/2007 Lindenman et al.
D560,143 S * 1/2008 Crawley et al. D12/161
D576,923 S * 9/2008 Dupay et al. D12/161
7,487,990 B2 * 2/2009 Roth-Schuler et al. 280/433
7,490,845 B1 * 2/2009 Rhodes et al. 280/433
7,516,974 B1 * 4/2009 Mann et al. 280/433
7,530,589 B1 * 5/2009 Mann et al. 280/433
7,556,278 B2 7/2009 Roberts et al.
7,654,552 B2 2/2010 Hoopes et al.
7,762,167 B2 * 7/2010 Lefebvre 82/128
7,938,429 B2 * 5/2011 Mann et al. 280/438.1
2008/0164677 A1 * 7/2008 Huntimer 280/433
2008/0265544 A1 * 10/2008 Vikstrom et al. 280/433

(Continued)

(56) **References Cited**

U.S. PATENT DOCUMENTS

D157,335 S * 2/1950 Braunberger D12/161
3,704,924 A 12/1972 Lowry
4,169,635 A 10/1979 Szalay
D289,514 S * 4/1987 Capps D12/161
D301,860 S * 6/1989 Severson D12/161
5,165,713 A 11/1992 Picard
5,431,424 A 7/1995 Colwell
D365,799 S * 1/1996 Murcheson D12/161
5,509,682 A 4/1996 Lindenman et al.
5,516,137 A 5/1996 Kass et al.
5,529,329 A 6/1996 McCoy
D378,077 S 2/1997 Lindenman et al.
D380,719 S 7/1997 Lindenman et al.
5,707,070 A 1/1998 Lindenman et al.
D395,025 S 6/1998 Lindenman et al.
6,010,141 A 1/2000 Huntimer et al.
D423,998 S 5/2000 Lindenman et al.
6,170,851 B1 1/2001 Lindenman et al.
D450,276 S * 11/2001 Johnson D12/161
6,398,249 B1 6/2002 Lindenman et al.
6,547,270 B1 * 4/2003 Breese 280/432
6,554,310 B2 4/2003 Babin
6,623,024 B1 * 9/2003 Alguera Gallego et al. .. 280/433
6,682,089 B2 1/2004 McCoy et al.
6,685,210 B2 2/2004 Lindenman et al.

Primary Examiner — Michael A Pratt

(74) *Attorney, Agent, or Firm* — McDonald Hopkins LLC

(57) **CLAIM**

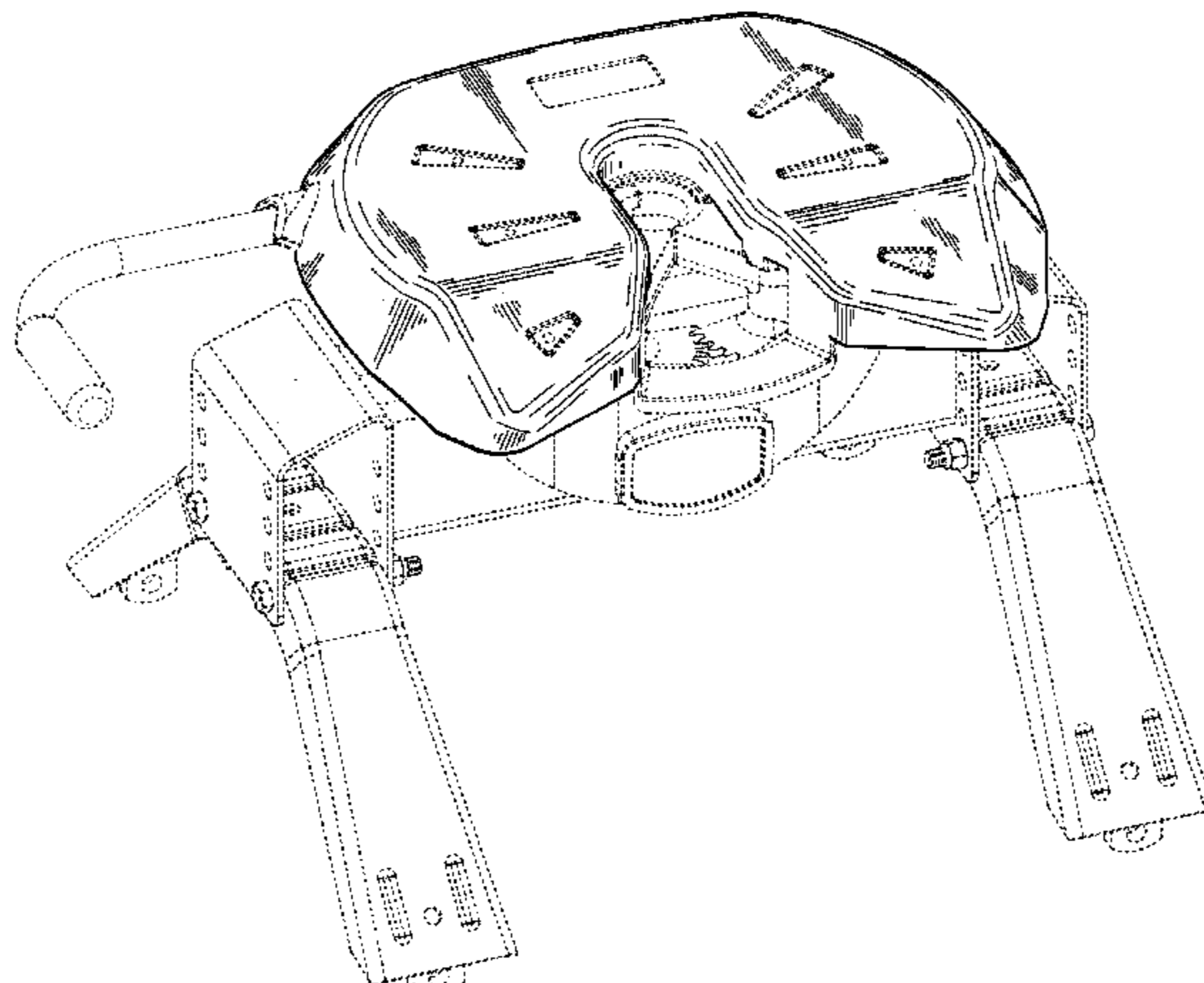
The ornamental design of a fifth wheel hitch, as shown and described.

DESCRIPTION

FIG. 1 is a perspective view of a fifth wheel hitch showing our new skid plate design in a fifth wheel hitch assembly environment;
FIG. 2 is a top perspective view thereof;
FIG. 3 is a bottom perspective view thereof;
FIG. 4 is a top view thereof;
FIG. 5 is a bottom view thereof;
FIG. 6 is a side view thereof;
FIG. 7 is another side view thereof;
FIG. 8 is a front view thereof; and,
FIG. 9 is a rear view thereof.

The broken lines in the Figures are for illustrative purposes only and form no part of the claimed invention.

1 Claim, 7 Drawing Sheets



US D670,212 S

Page 2

U.S. PATENT DOCUMENTS		2012/0018977 A1*	1/2012	Stanifer et al.	280/433
2010/0237587 A1	9/2010	McCoy et al.			
2010/0244406 A1*	9/2010	Hicks et al.			280/433
					* cited by examiner
		2012/0018978 A1*	1/2012	McCoy et al.	280/436

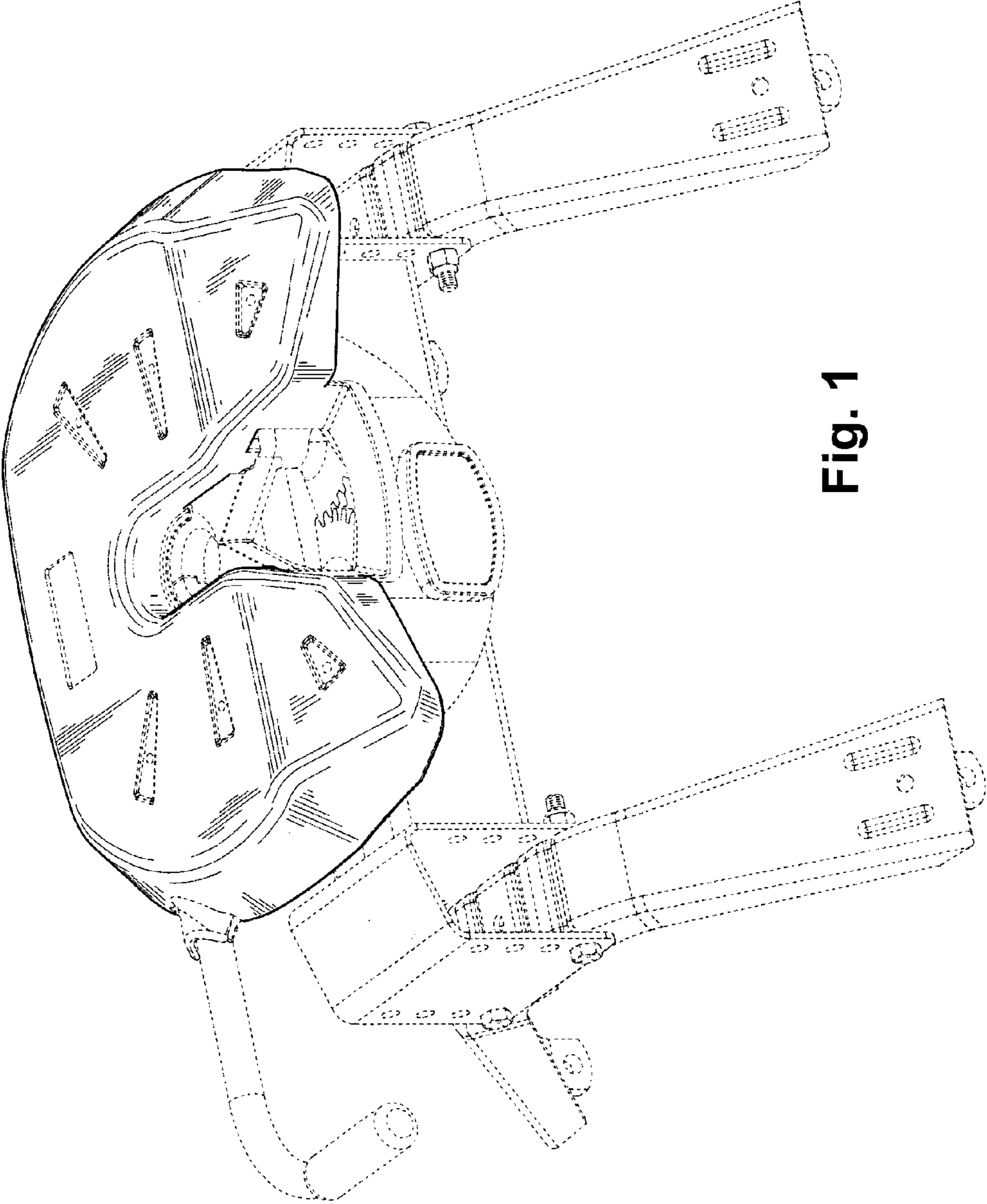


Fig. 1

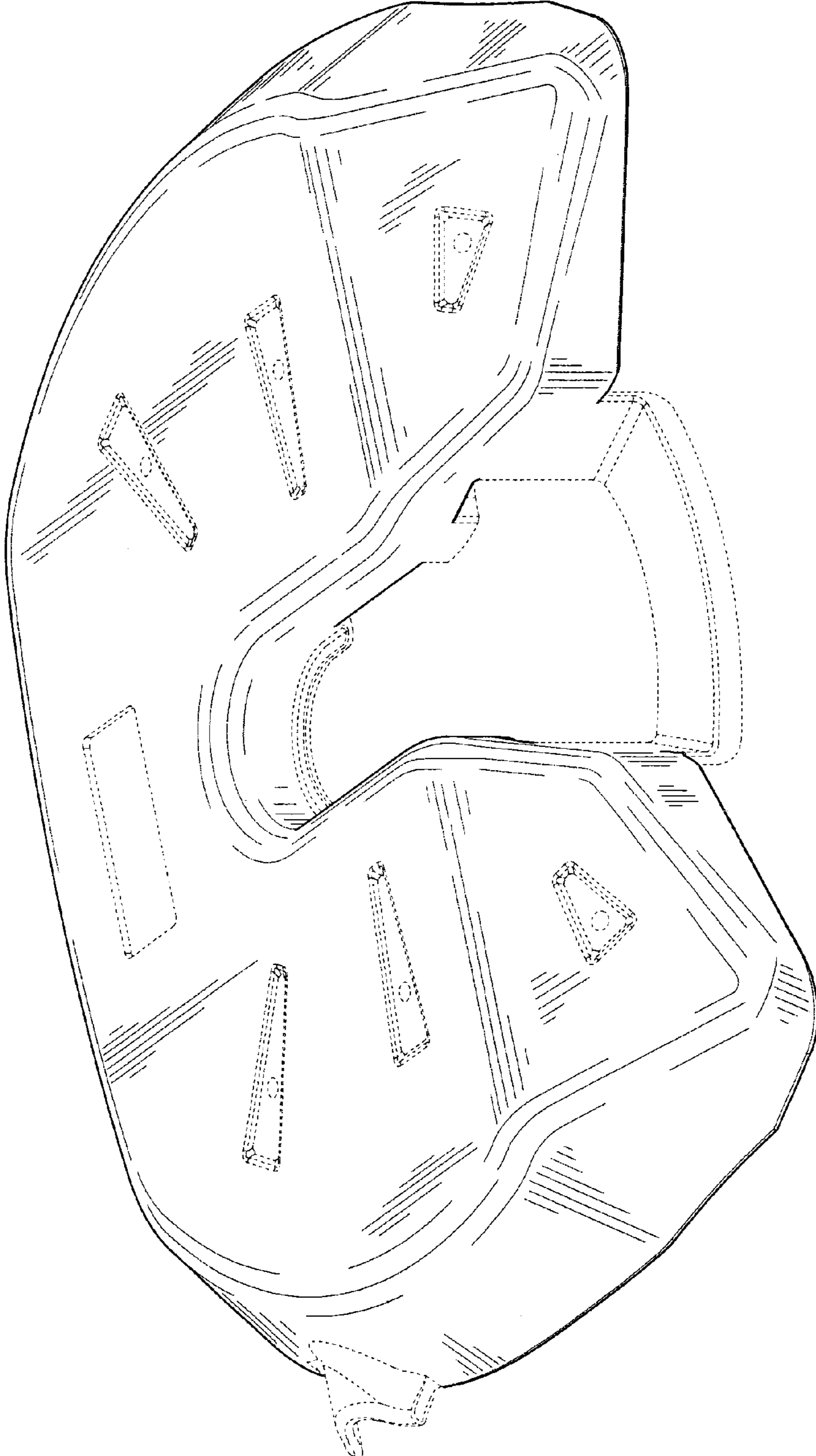


Fig. 2

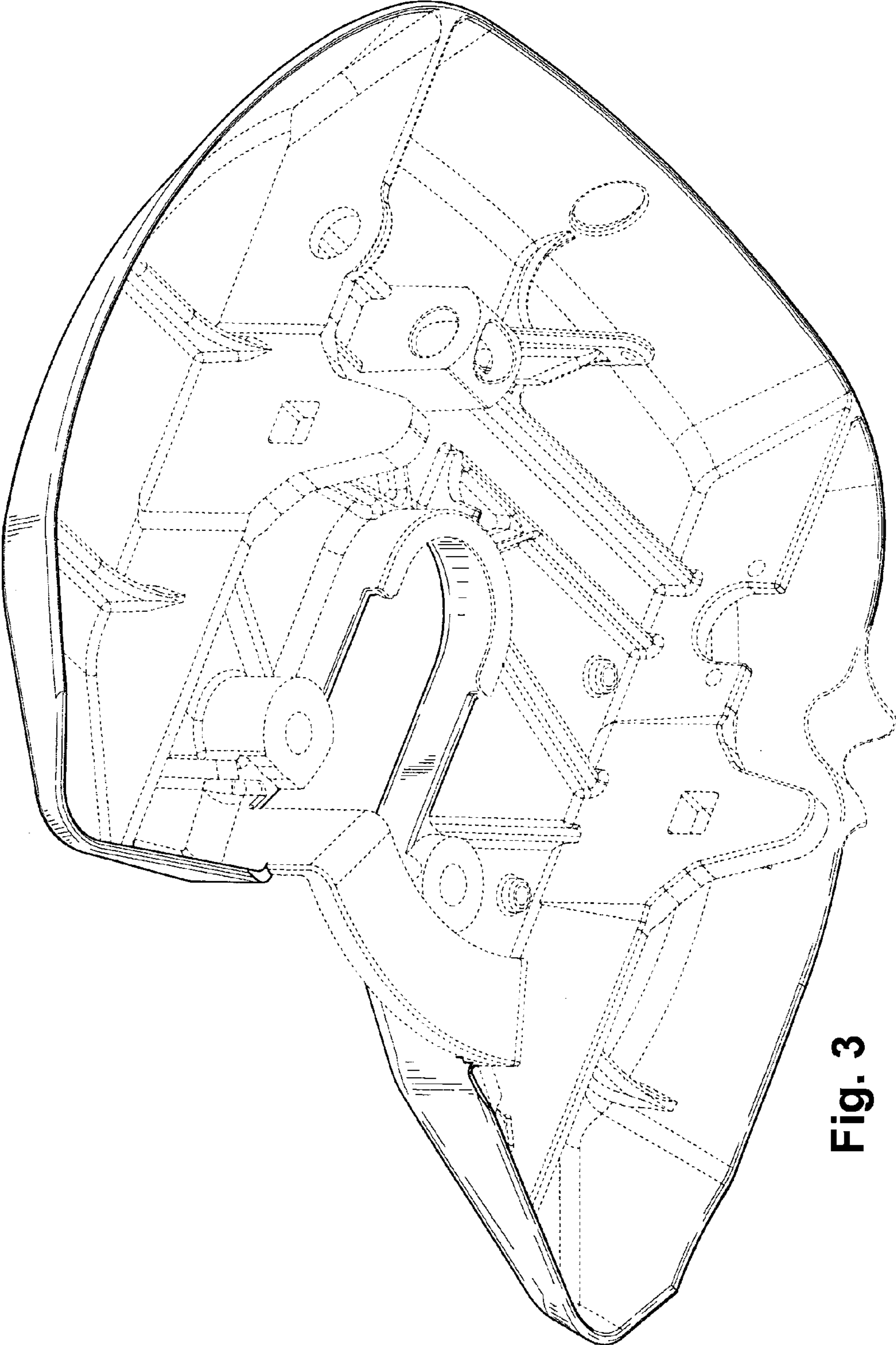


Fig. 3

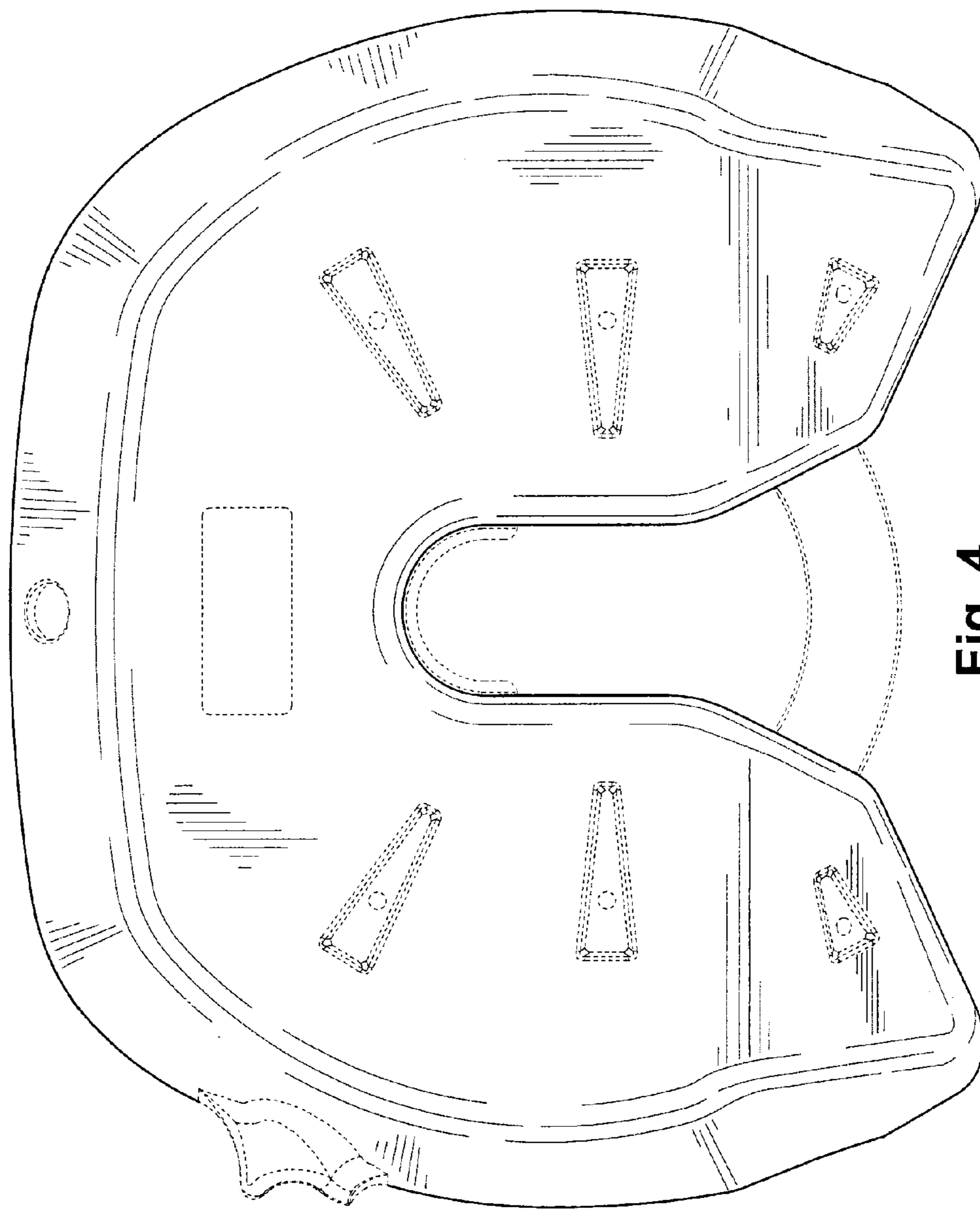


Fig. 4

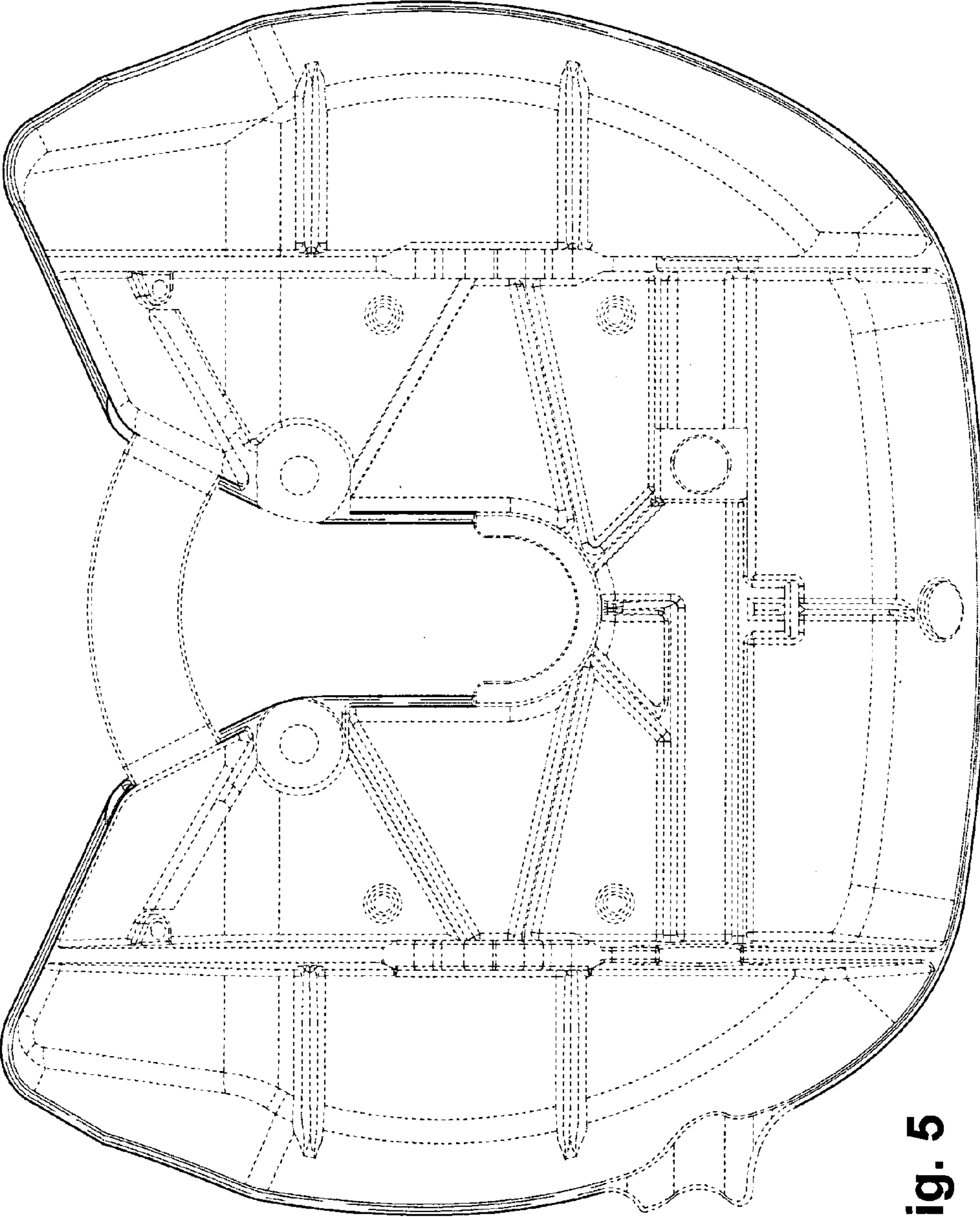


Fig. 5

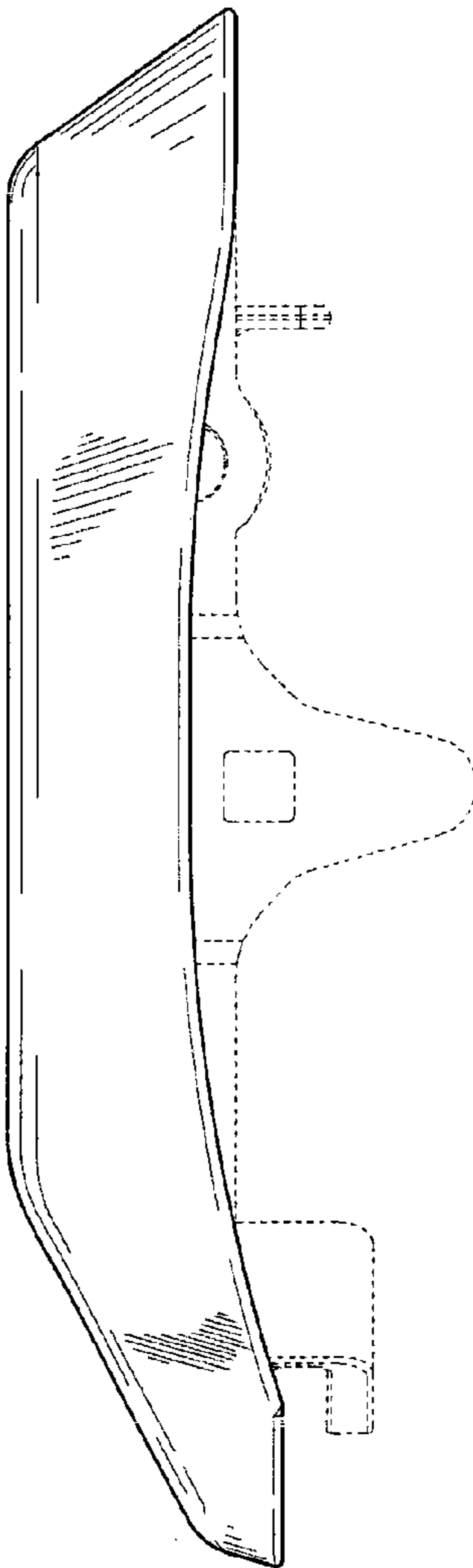


Fig. 6

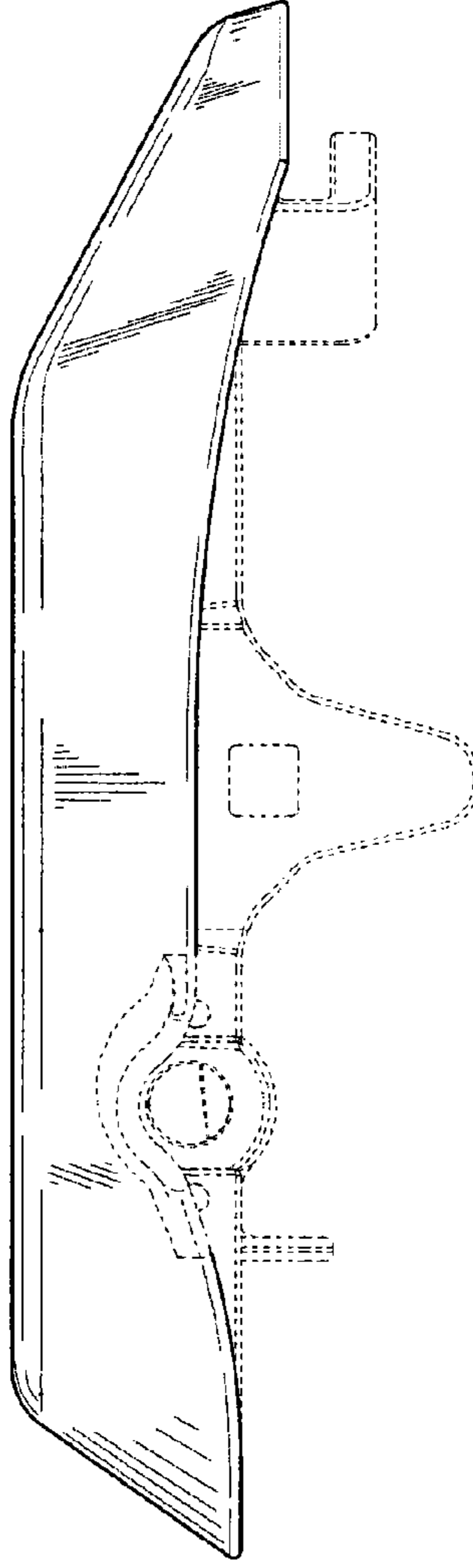


Fig. 7

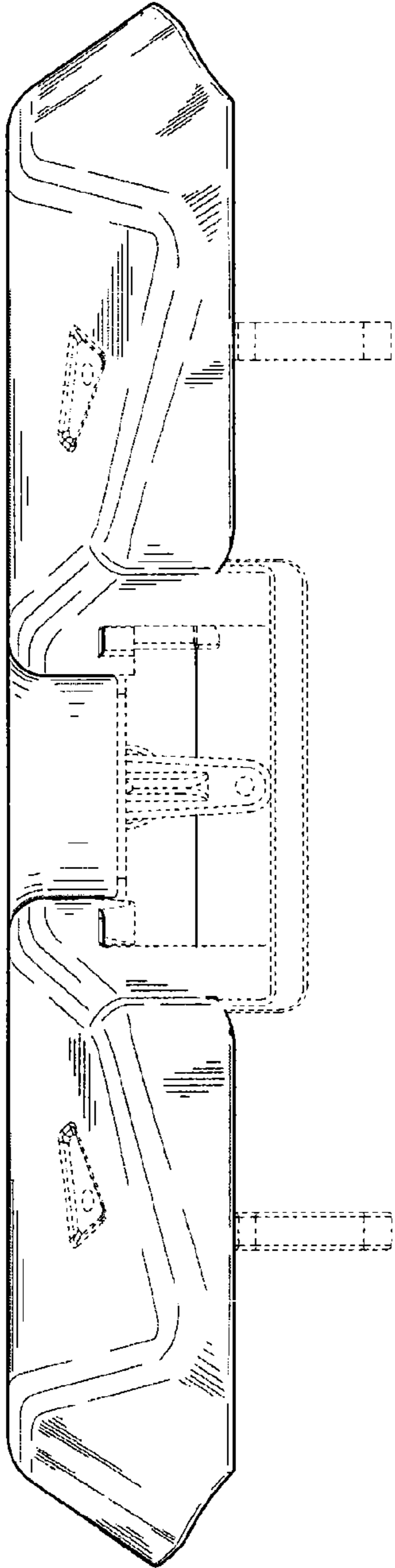


Fig. 8

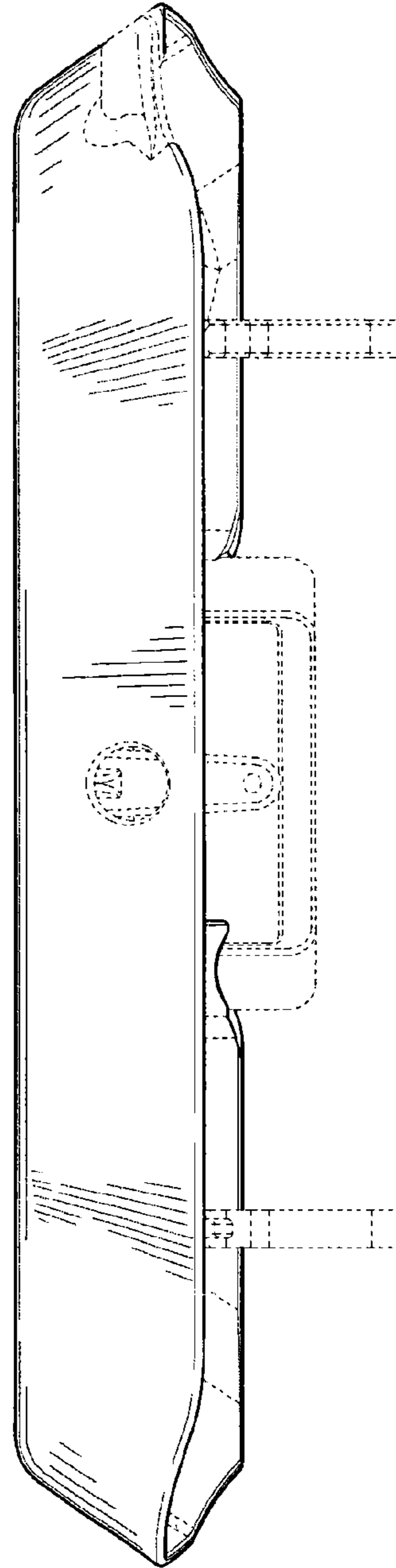


Fig. 9