



US00D670210S

(12) **United States Design Patent**
Li

(10) **Patent No.:** **US D670,210 S**
(45) **Date of Patent:** **** Nov. 6, 2012**

(54) **STROLLER FRAME**

(76) Inventor: **Hsueh-Li Li**, Tainan (TW)

(**) Term: **14 Years**

(21) Appl. No.: **29/394,133**

(22) Filed: **Jun. 13, 2011**

(51) **LOC (9) Cl.** **12-12**

(52) **U.S. Cl.** **D12/129**

(58) **Field of Classification Search** D12/128-133;
280/62, 647-650, 29, 200, 47.38, 250.1,
280/259, 642, 658, 304.1; 128/99.1, 100.1
See application file for complete search history.

D596,996 S * 7/2009 Yang D12/129
D615,004 S * 5/2010 Ohnishi D12/129
D616,792 S * 6/2010 Jacobs D12/129
D631,401 S * 1/2011 Bagwell et al. D12/129
D640,174 S * 6/2011 Lai D12/129
8,186,706 B2 * 5/2012 Dotsey 280/647

* cited by examiner

Primary Examiner — Ian Simmons

Assistant Examiner — Charles Hanson

(74) *Attorney, Agent, or Firm* — Raymond Y. Chan; David
and Raymond Patent Firm

(57) **CLAIM**

The ornamental design for a stroller frame, as shown and
described.

(56) **References Cited**

U.S. PATENT DOCUMENTS

D278,993 S * 5/1985 Kassai D12/129
D362,832 S * 10/1995 Haut et al. D12/129
D430,826 S * 9/2000 Chen et al. D12/129
D450,265 S * 11/2001 Hsia D12/129
D452,461 S * 12/2001 Dumigan et al. D12/129
D579,826 S * 11/2008 Grim D12/129
D579,827 S * 11/2008 Lake D12/129
D580,828 S * 11/2008 Chen D12/129
D583,718 S * 12/2008 Zweideck D12/129
D584,194 S * 1/2009 Zweideck D12/129

DESCRIPTION

FIG. 1 is a perspective view of stroller frame showing my new
design.

FIG. 2 is a front view thereof.

FIG. 3 is a rear view thereof.

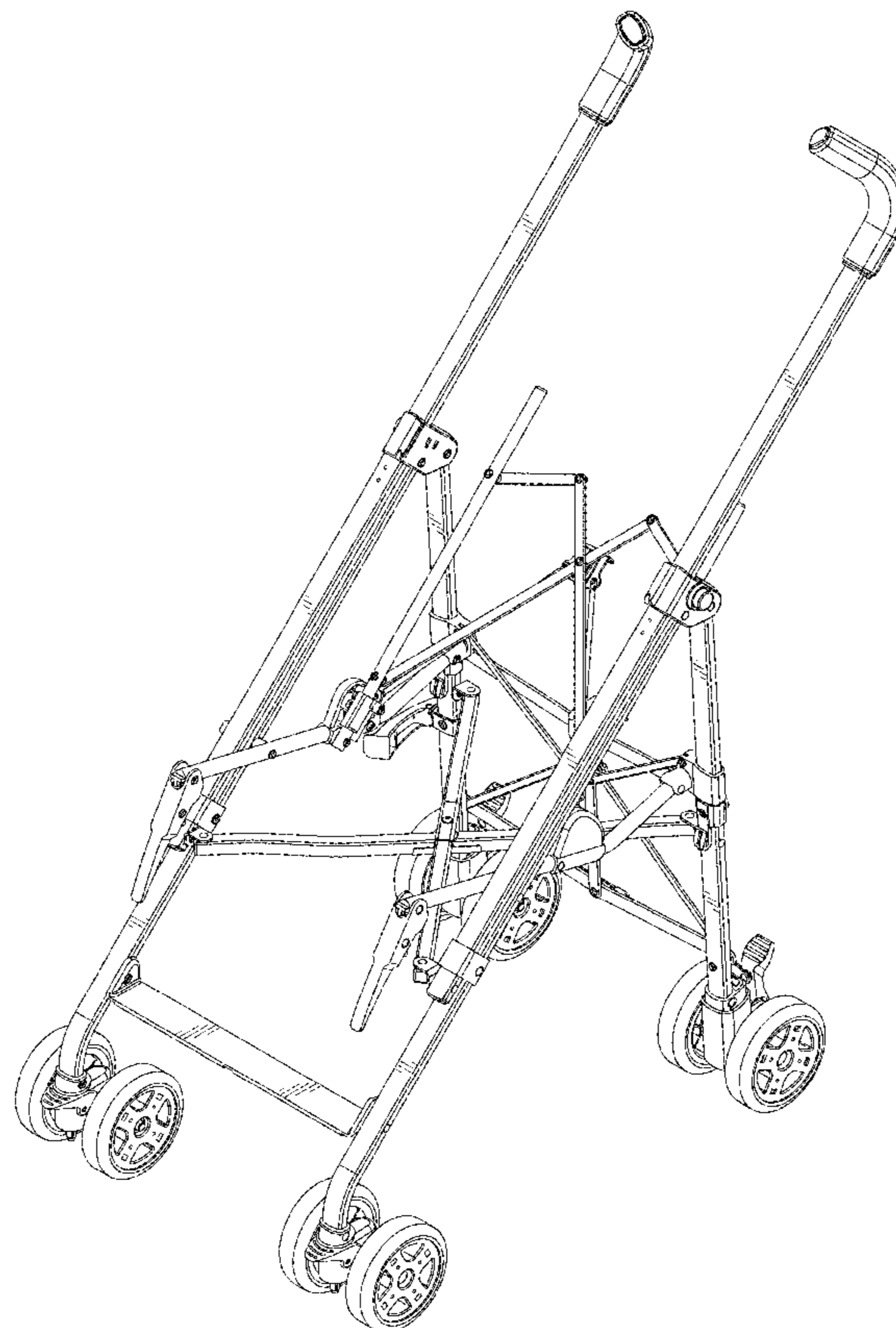
FIG. 4 is a left end view thereof.

FIG. 5 is a right end view thereof.

FIG. 6 is a top view thereof; and,

FIG. 7 is a bottom view thereof.

1 Claim, 7 Drawing Sheets



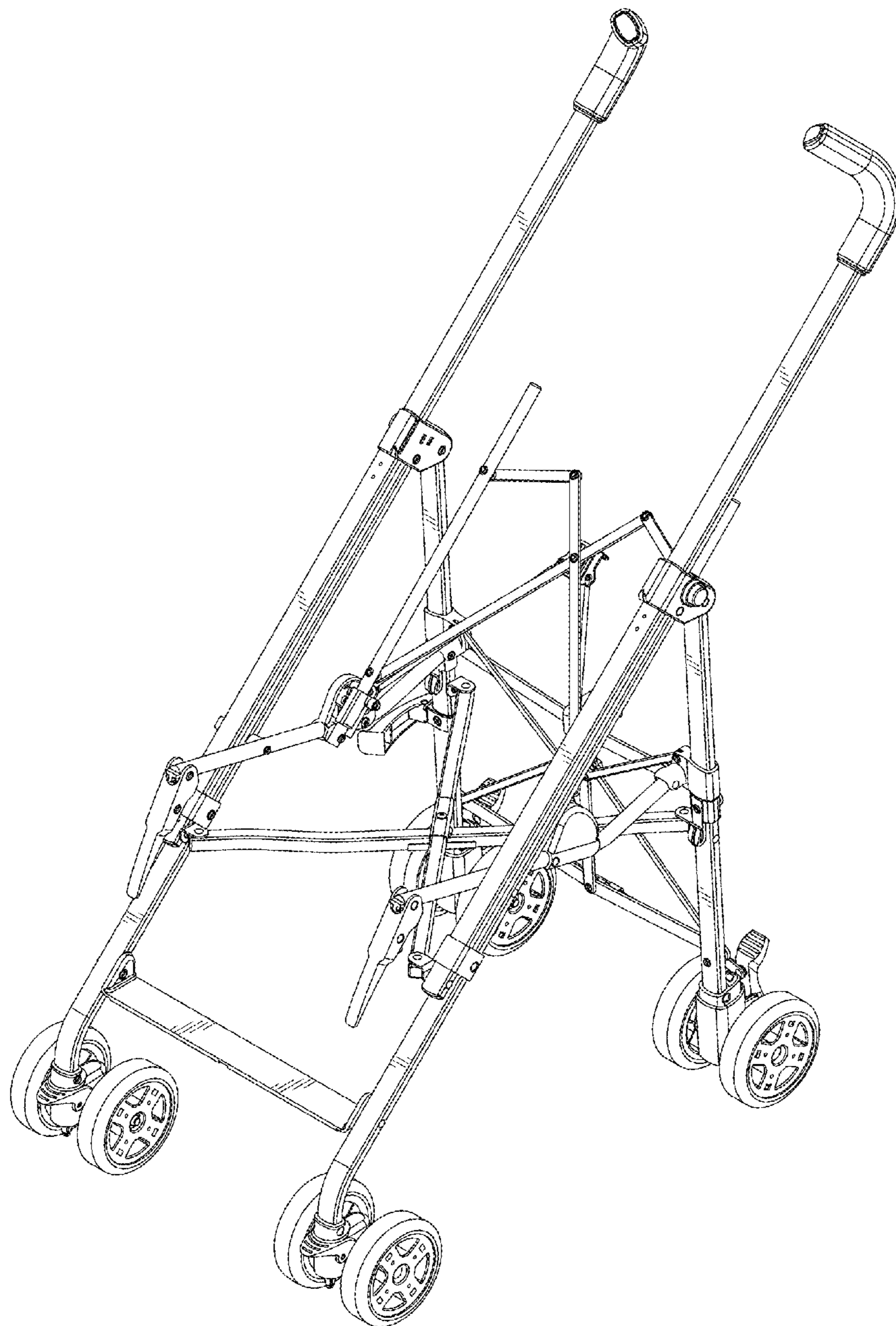


FIG. 1

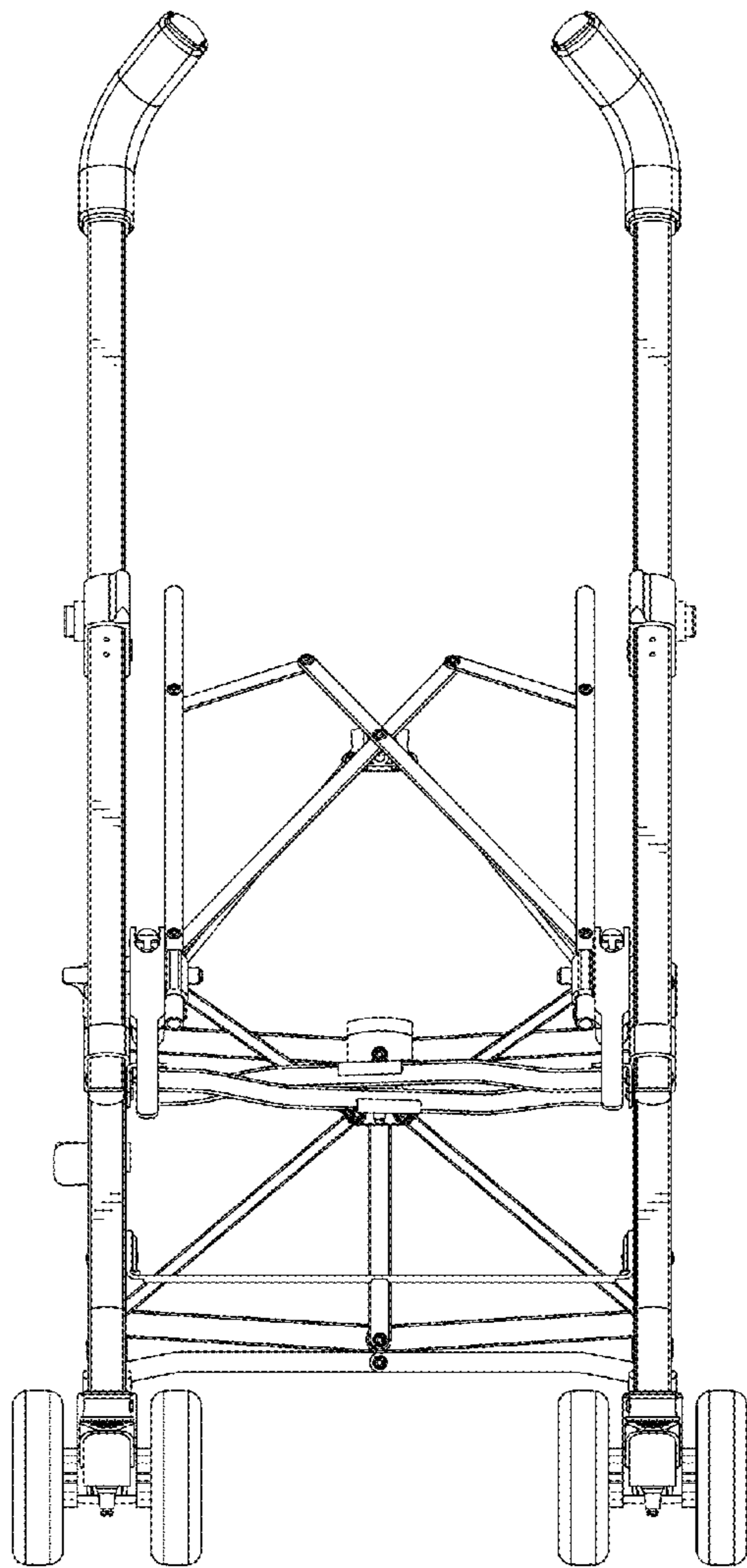


FIG. 2

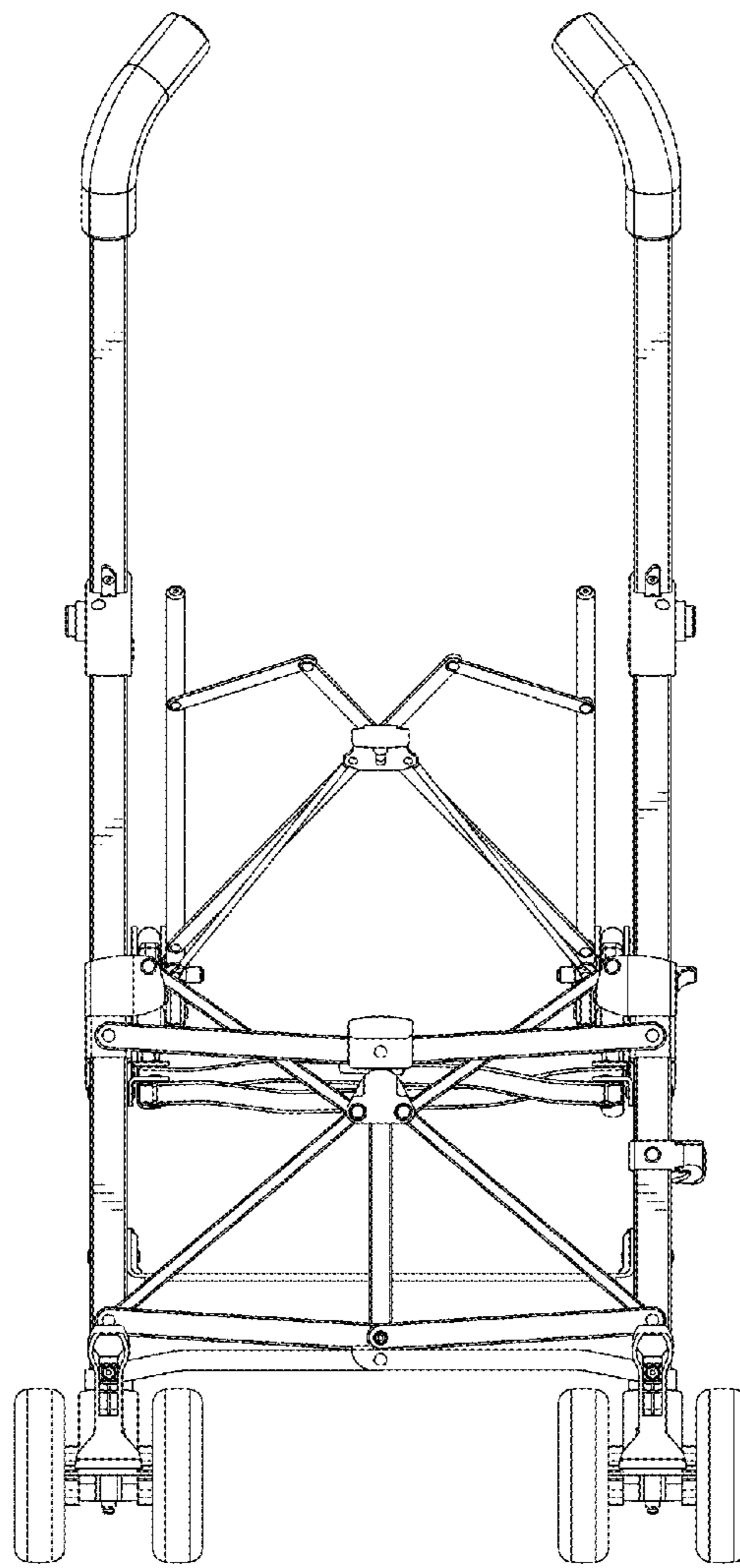


FIG. 3

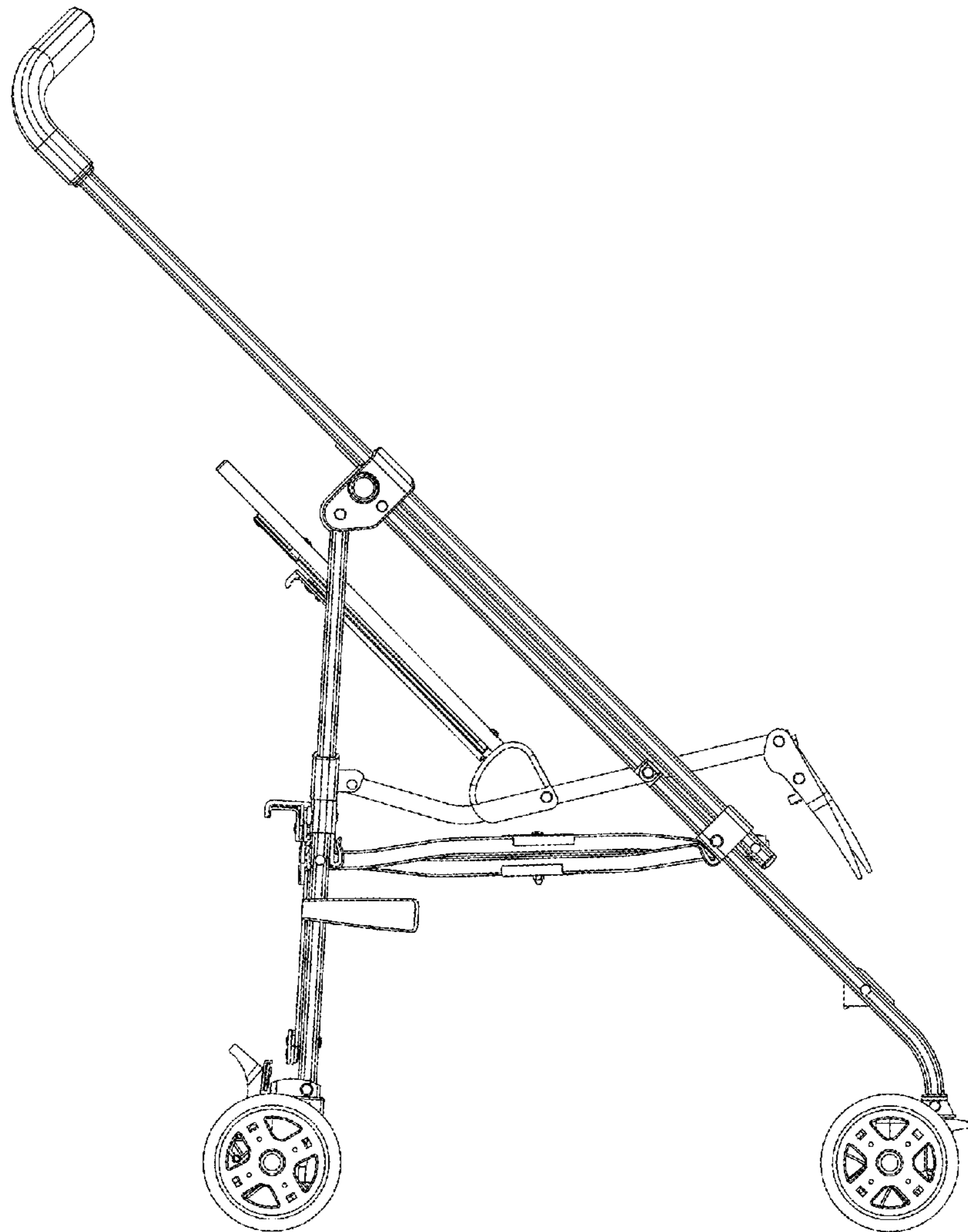


FIG. 4

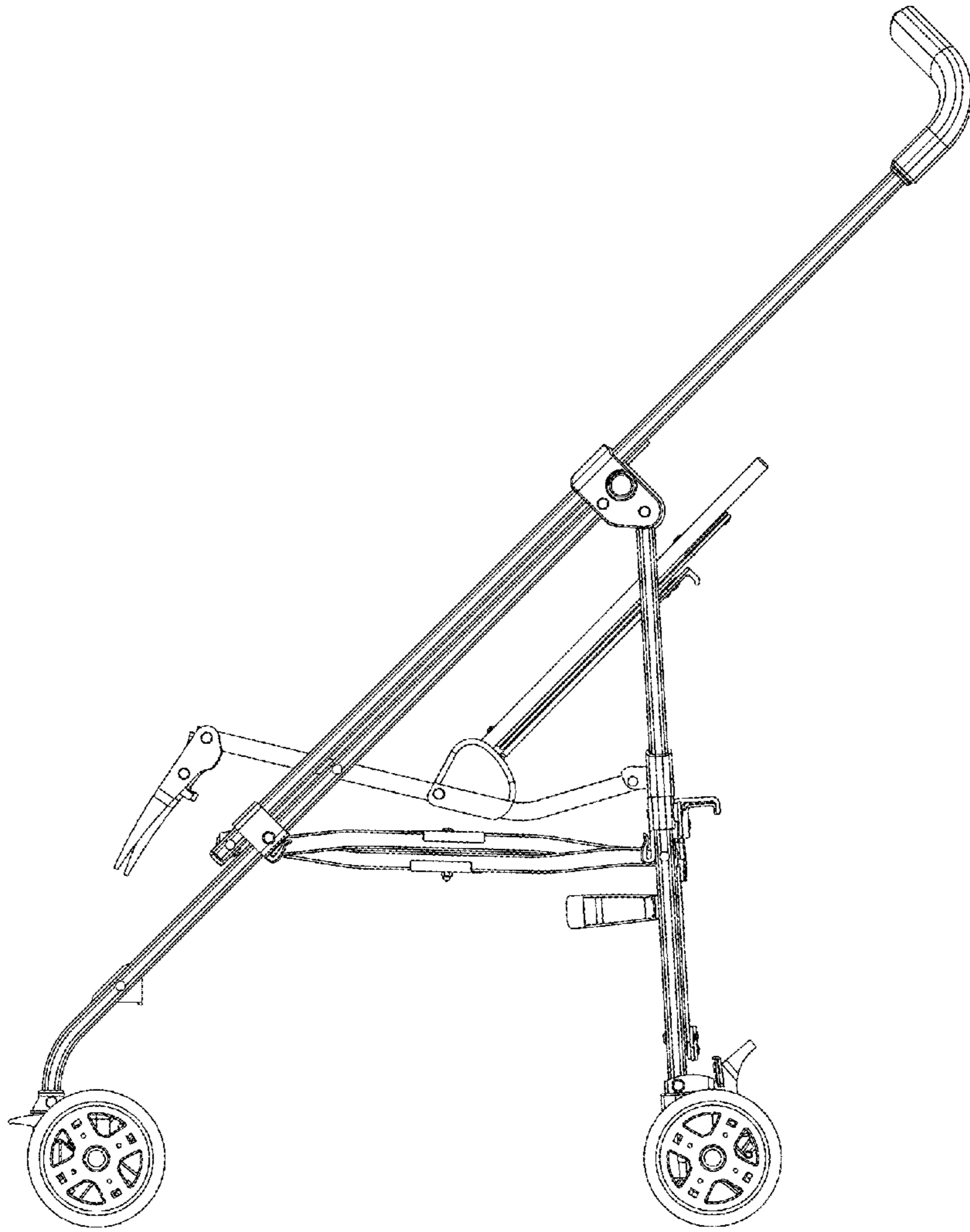


FIG. 5

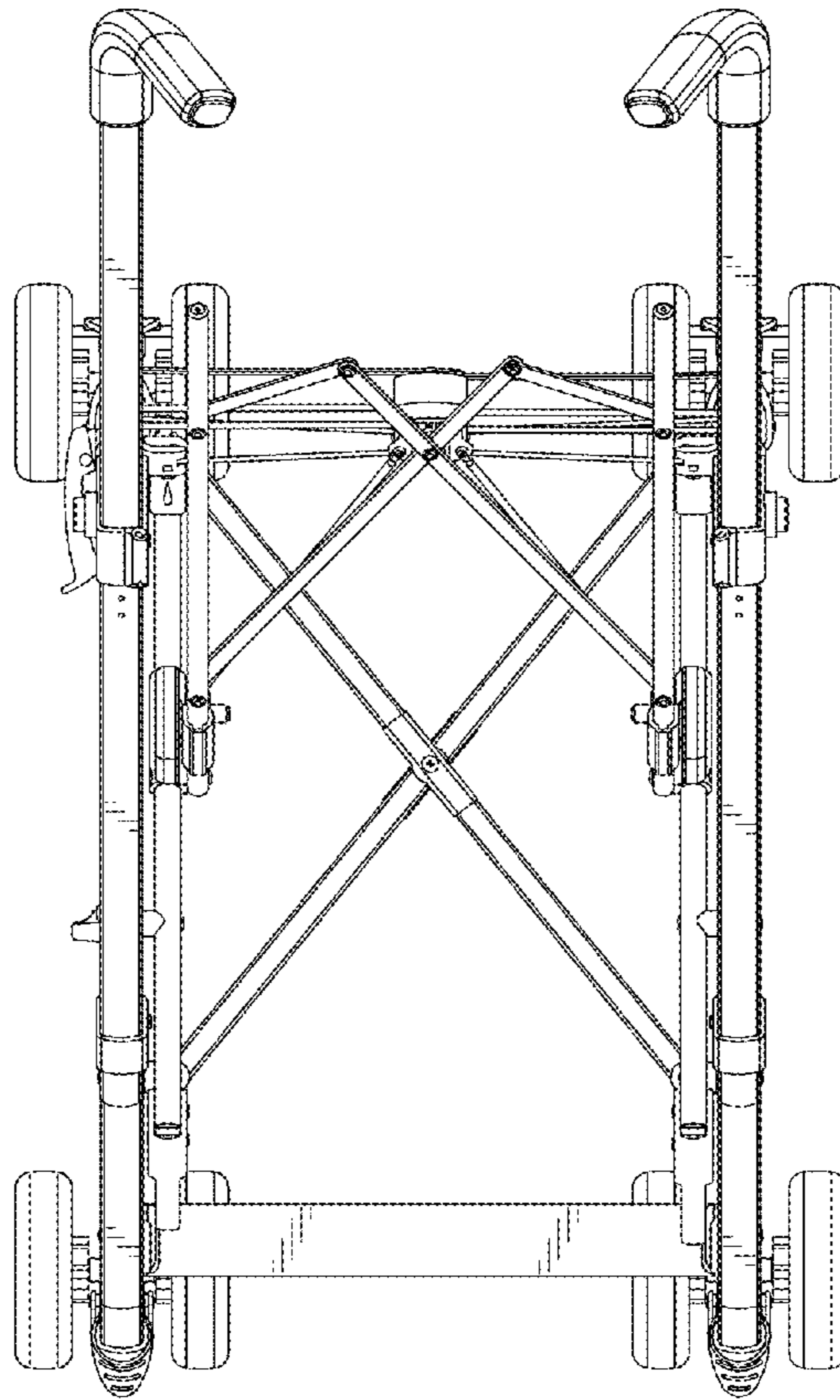


FIG. 6

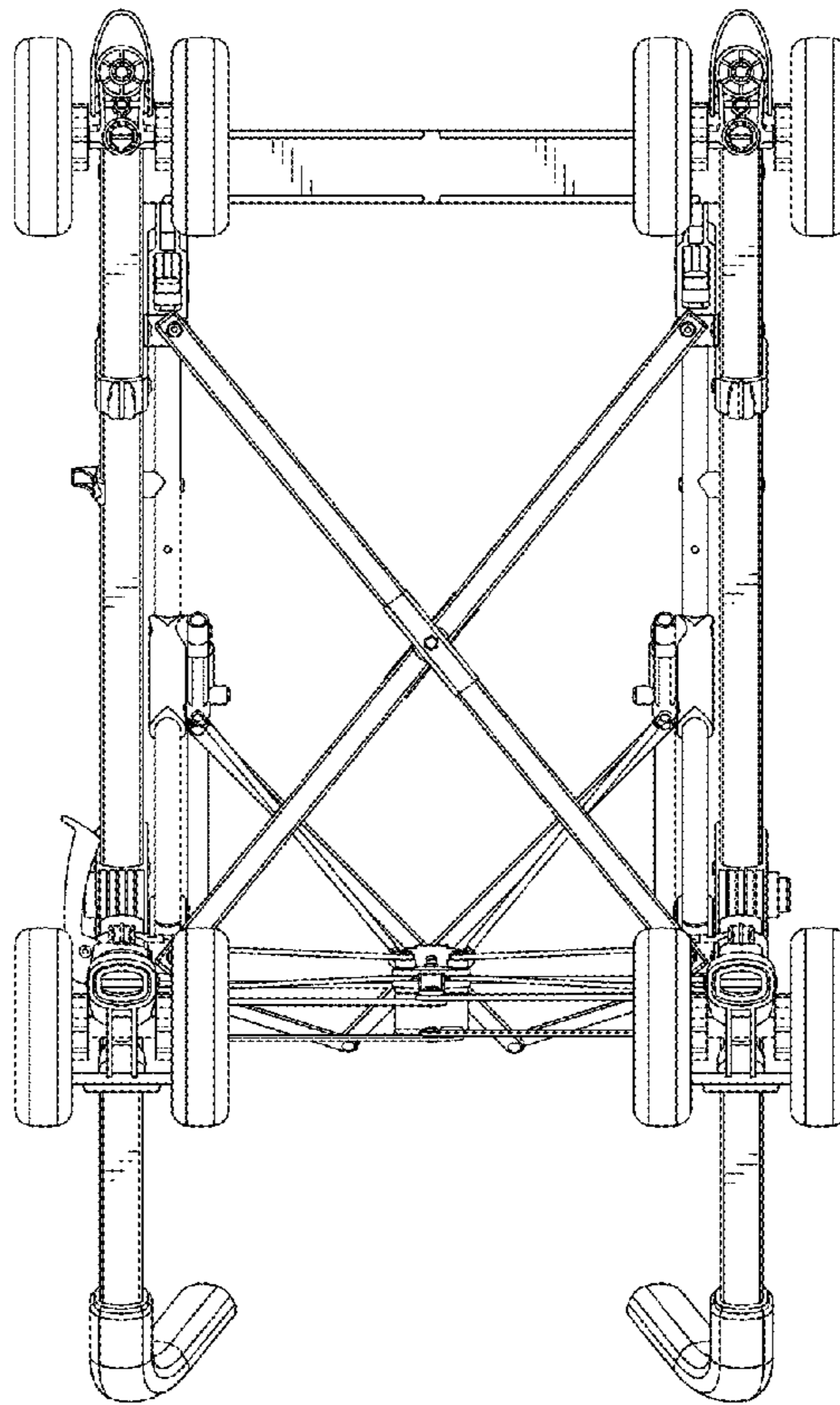


FIG. 7