



US00D670209S

(12) **United States Design Patent**
Graham et al.

(10) **Patent No.:** **US D670,209 S**
(45) **Date of Patent:** **** Nov. 6, 2012**

(54) **BICYCLE RACK**

(76) Inventors: **Paul Raymond Graham**, Chicago, IL
(US); **Erik David Wood**, Chicago, IL
(US)

(**) Term: **14 Years**

(21) Appl. No.: **29/410,153**

(22) Filed: **Jan. 4, 2012**

(51) **LOC (9) Cl.** **12-11**

(52) **U.S. Cl.** **D12/115**

(58) **Field of Classification Search** D12/115,
D12/120; D6/462, 436, 463, 475-479; 211/5,
211/17-24, 182, 86.01; 280/293; 248/176.1;
70/233-236, 21, 22, 33, 51-54, 57.1, 58,
70/78, 225, 443, 448, 451; 312/100, 280,
312/351.11-351.13, 215

See application file for complete search history.

(56) **References Cited**

U.S. PATENT DOCUMENTS

3,820,662	A *	6/1974	Steers	211/5
3,827,773	A *	8/1974	Aiello	312/100
3,841,119	A *	10/1974	Kaufmann	70/58
3,863,767	A *	2/1975	Garwood	211/5
3,865,245	A *	2/1975	Lieb et al.	211/5
4,080,020	A *	3/1978	Candelaria	312/100

4,306,660	A *	12/1981	Livingston	211/20
D278,616	S *	4/1985	Collison et al.	D12/115
5,323,915	A *	6/1994	Fortune et al.	211/5
5,743,411	A *	4/1998	Hawkes	211/20
D449,256	S *	10/2001	Kopacz et al.	D12/115
7,726,160	B2 *	6/2010	Gagosz et al.	70/233
8,065,895	B2 *	11/2011	Andersen	70/14
2010/0163503	A1 *	7/2010	Kelly	211/85.3

* cited by examiner

Primary Examiner — Susan M Lee

Assistant Examiner — Linda G. Brooks

(74) *Attorney, Agent, or Firm* — Schafer Smith LLC

(57) **CLAIM**

We claim the ornamental design for the bicycle rack, shown and described.

DESCRIPTION

FIG. 1 is a perspective view of a bicycle rack showing our new design;

FIG. 2 is a front elevational view thereof;

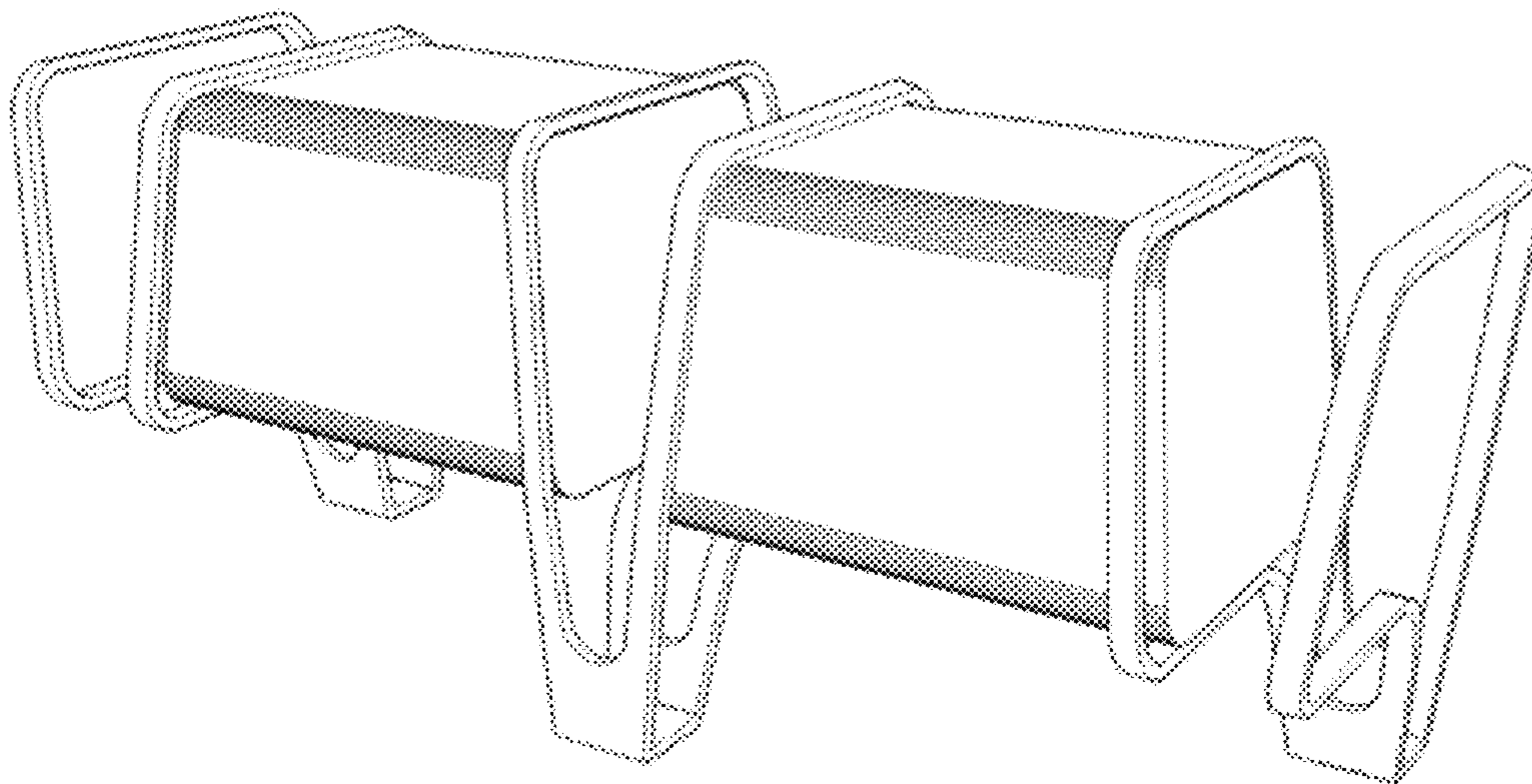
FIG. 3 is a back elevational view thereof;

FIG. 4 is a first side elevational view thereof;

FIG. 5 is a second side elevational view thereof; and,

FIG. 6 is a top plan view thereof.

1 Claim, 6 Drawing Sheets



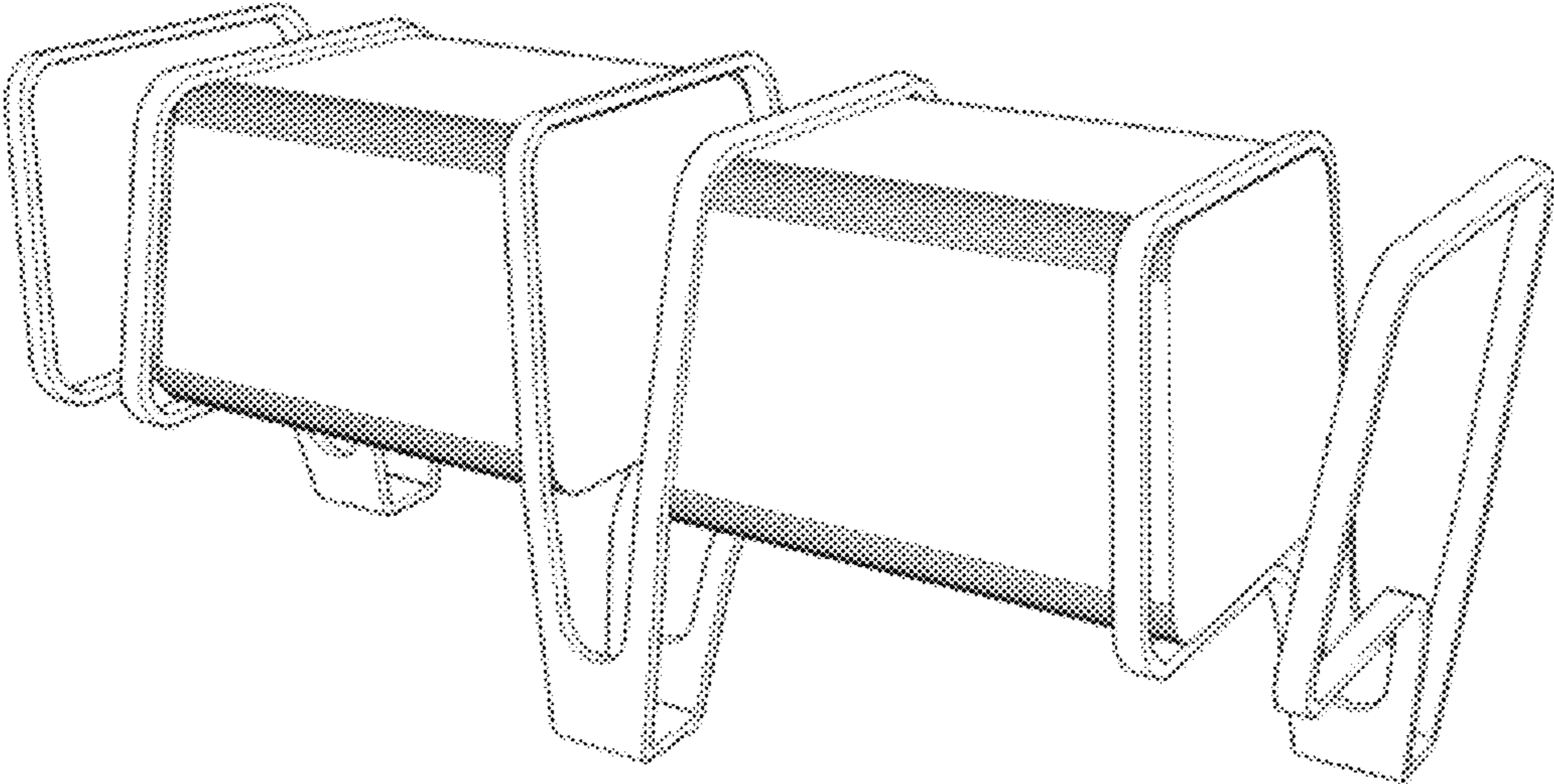


FIG. 1

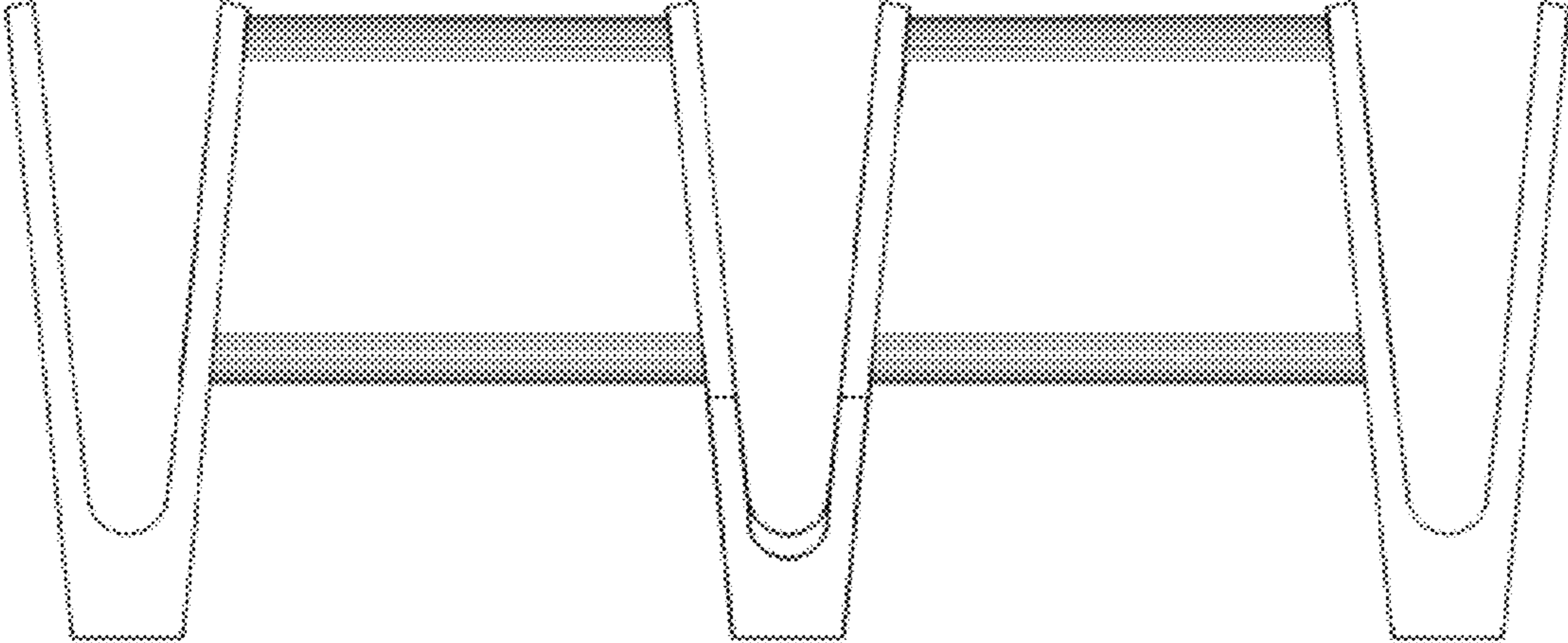


FIG. 2

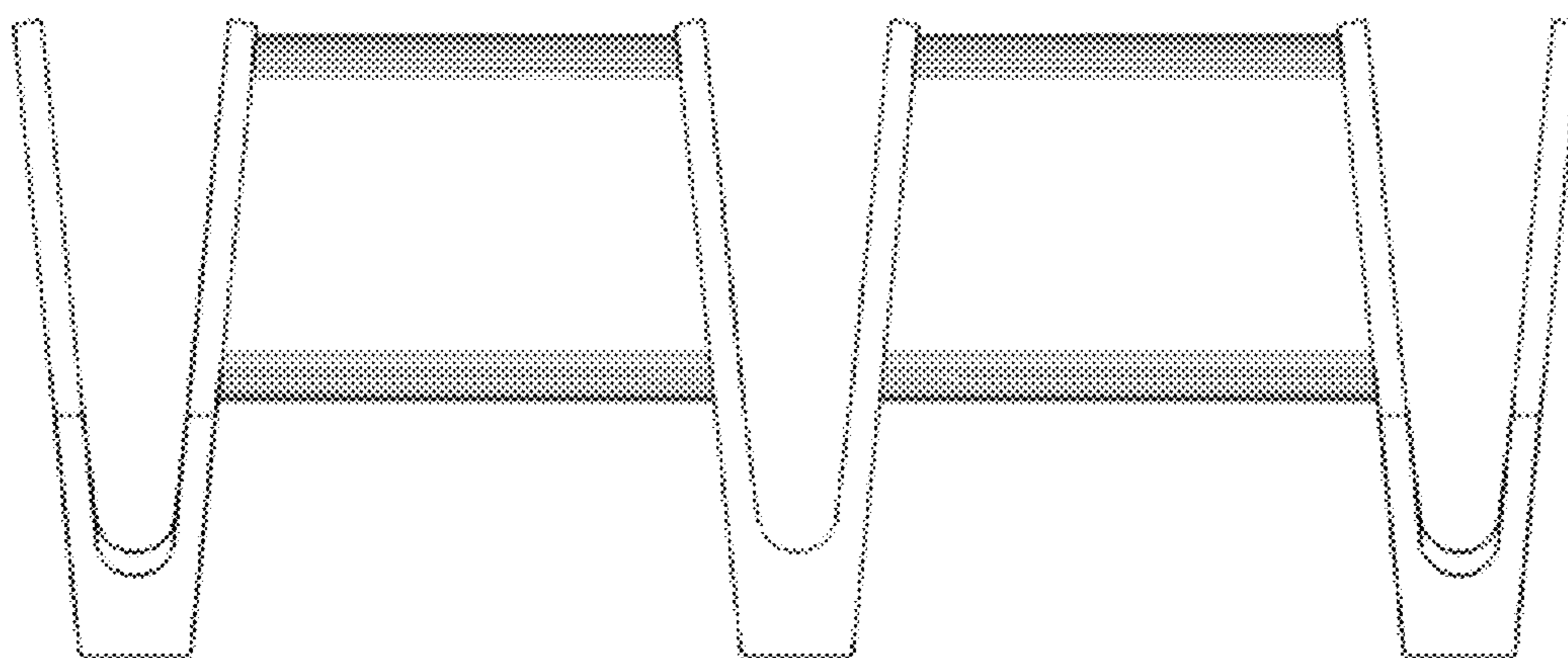


FIG. 3

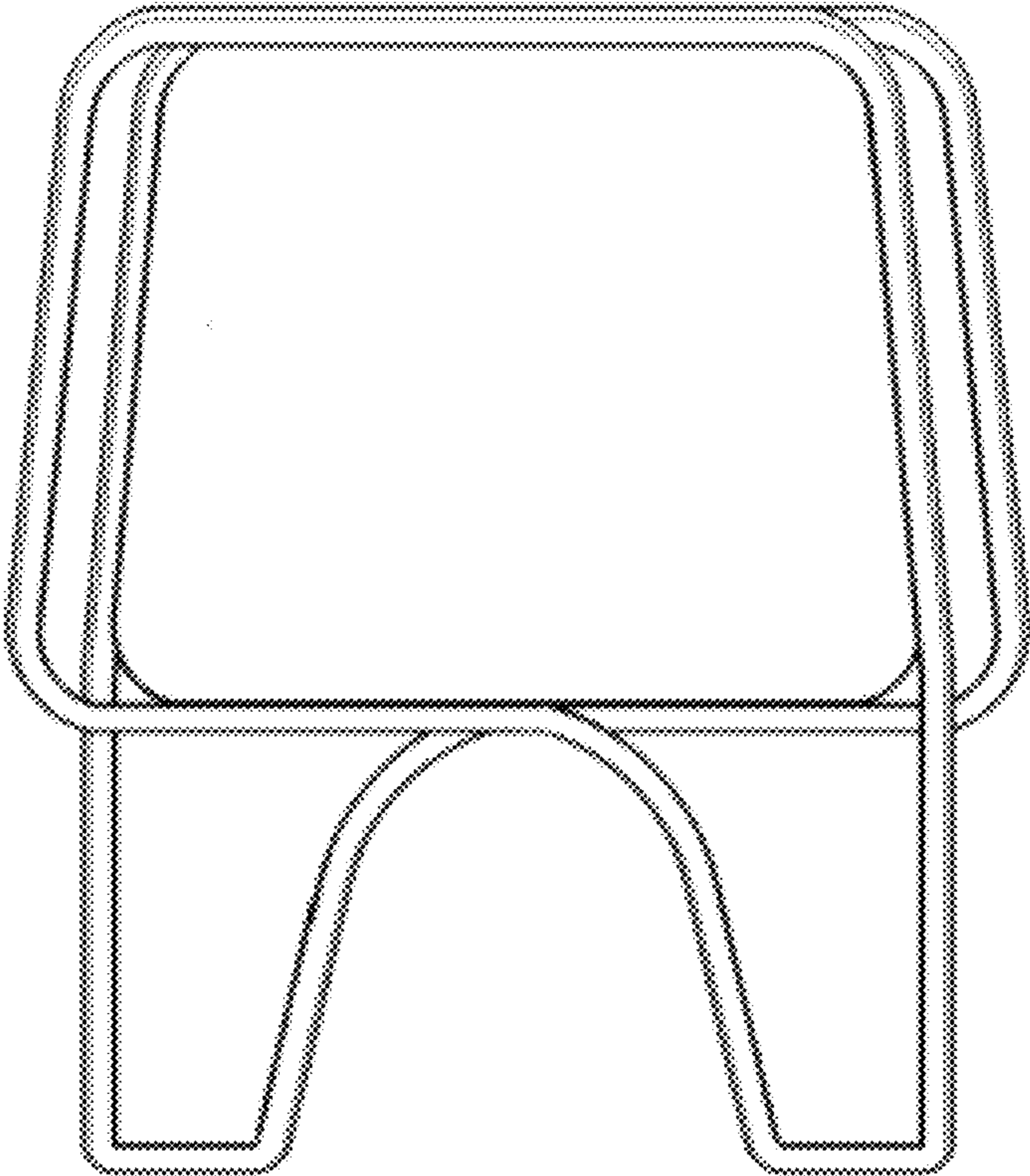


FIG. 4

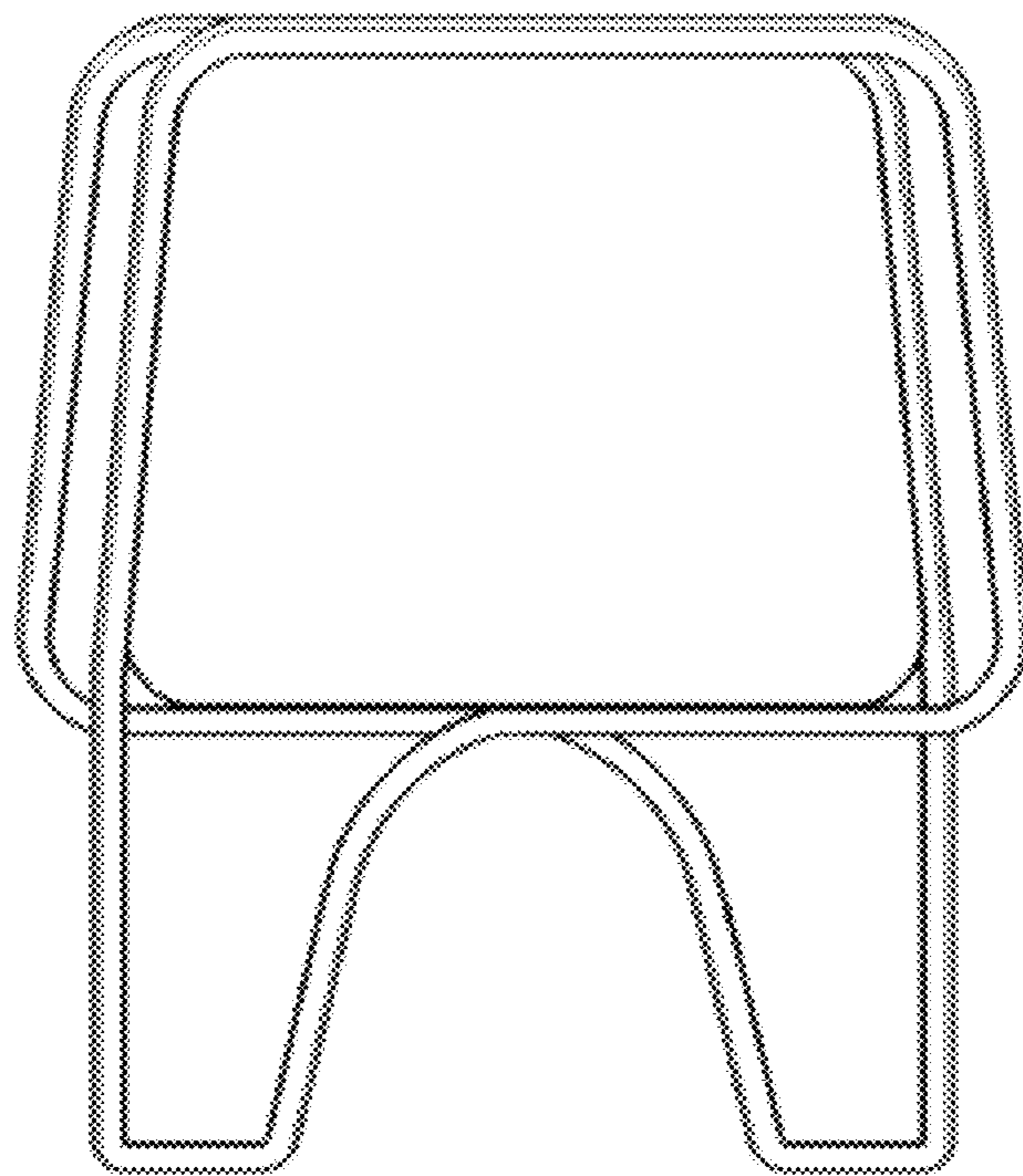


FIG. 5

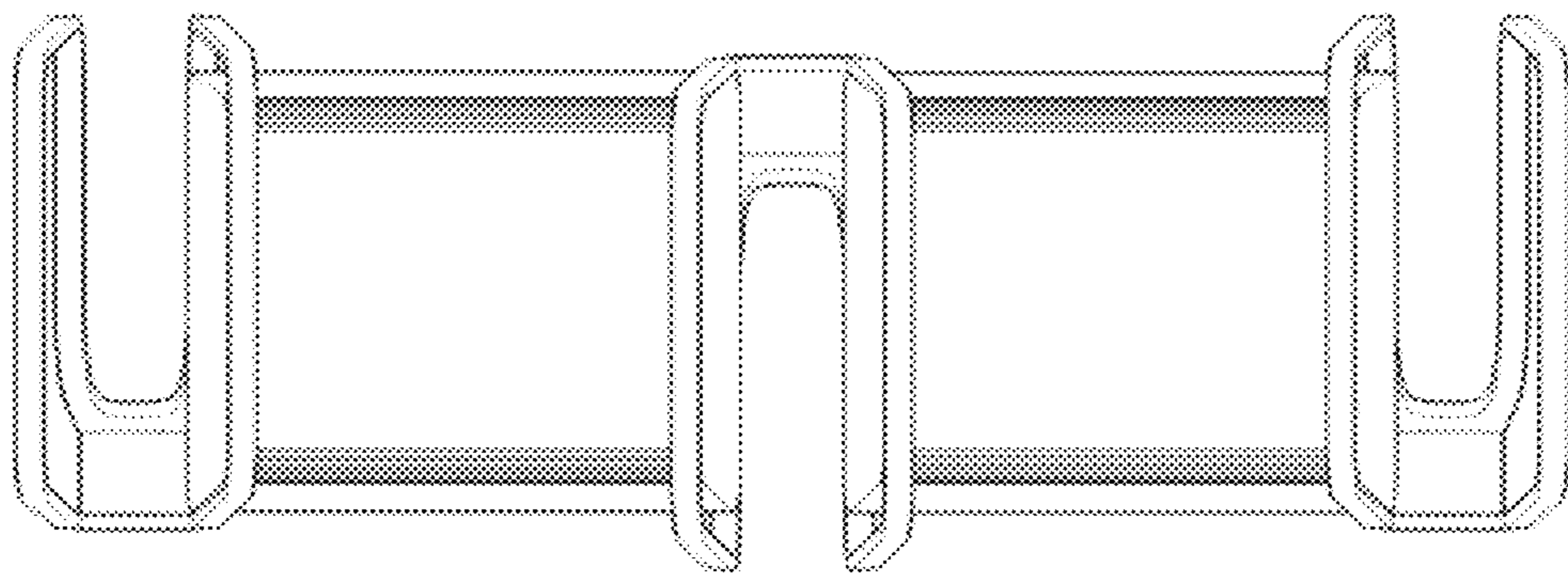


FIG. 6