



US00D670207S

(12) **United States Design Patent**  
**Otombe**

(10) **Patent No.:** **US D670,207 S**

(45) **Date of Patent:** **\*\* Nov. 6, 2012**

(54) **MOTORCYCLE**

(75) **Inventor:** **Kenji Otombe**, Tokyo-to (JP)

(73) **Assignee:** **Yamaha Hatsudoki Kabushiki Kaisha**  
(JP)

(\*\*) **Term:** **14 Years**

(21) **Appl. No.:** **29/403,952**

(22) **Filed:** **Oct. 13, 2011**

(30) **Foreign Application Priority Data**

Apr. 13, 2011 (JP) ..... 2011-008438

(51) **LOC (9) Cl.** ..... **12-11**

(52) **U.S. Cl.** ..... **D12/110**

(58) **Field of Classification Search** ..... D12/110;  
180/219, 220, 225, 229

See application file for complete search history.

(56) **References Cited**

U.S. PATENT DOCUMENTS

D519,061	S	*	4/2006	Matsuno et al.	.....	D12/110
D557,638	S	*	12/2007	Nakamura et al.	.....	D12/110
D597,893	S	*	8/2009	Hung	.....	D12/110
D601,459	S	*	10/2009	Ohta	.....	D12/110

\* cited by examiner

*Primary Examiner* — Susan M Lee

*Assistant Examiner* — Linda G. Brooks

(74) *Attorney, Agent, or Firm* — Ostrolenk Faber LLP

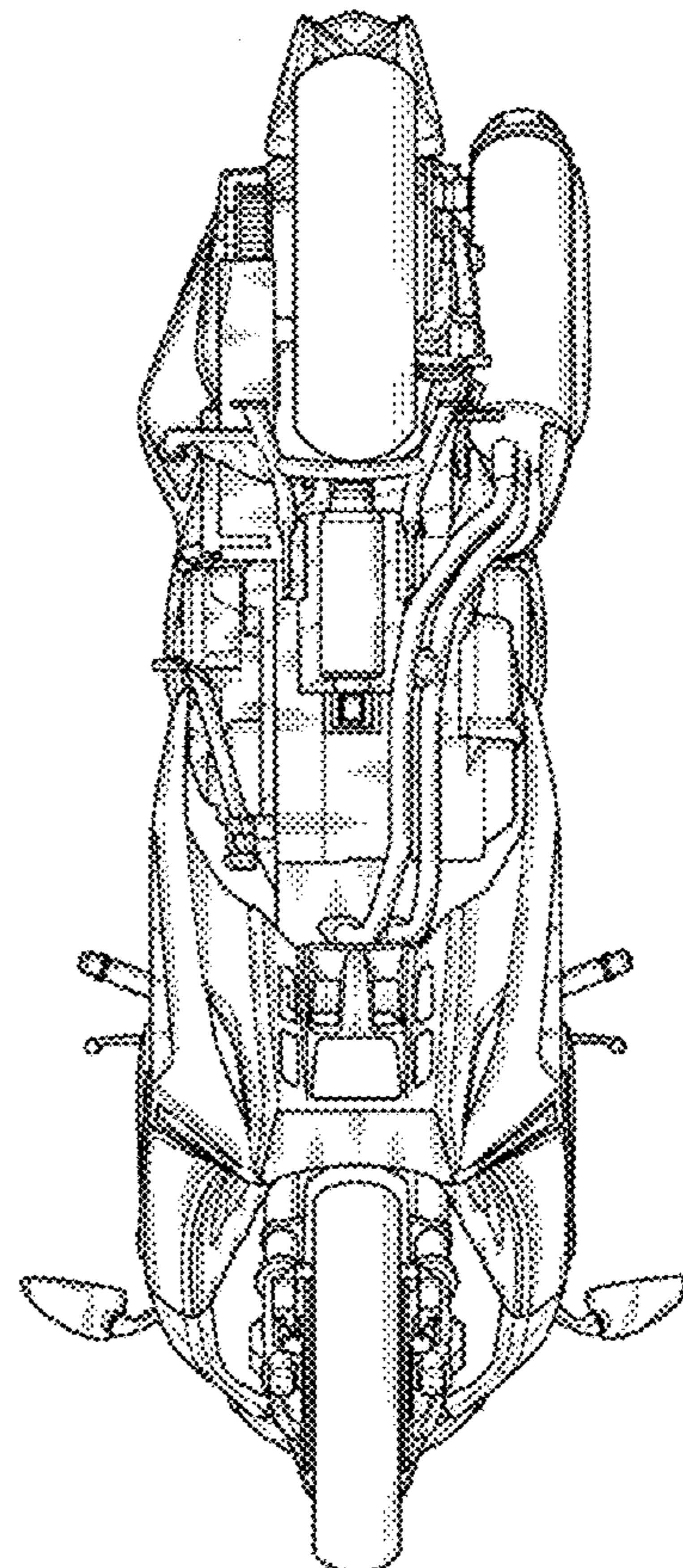
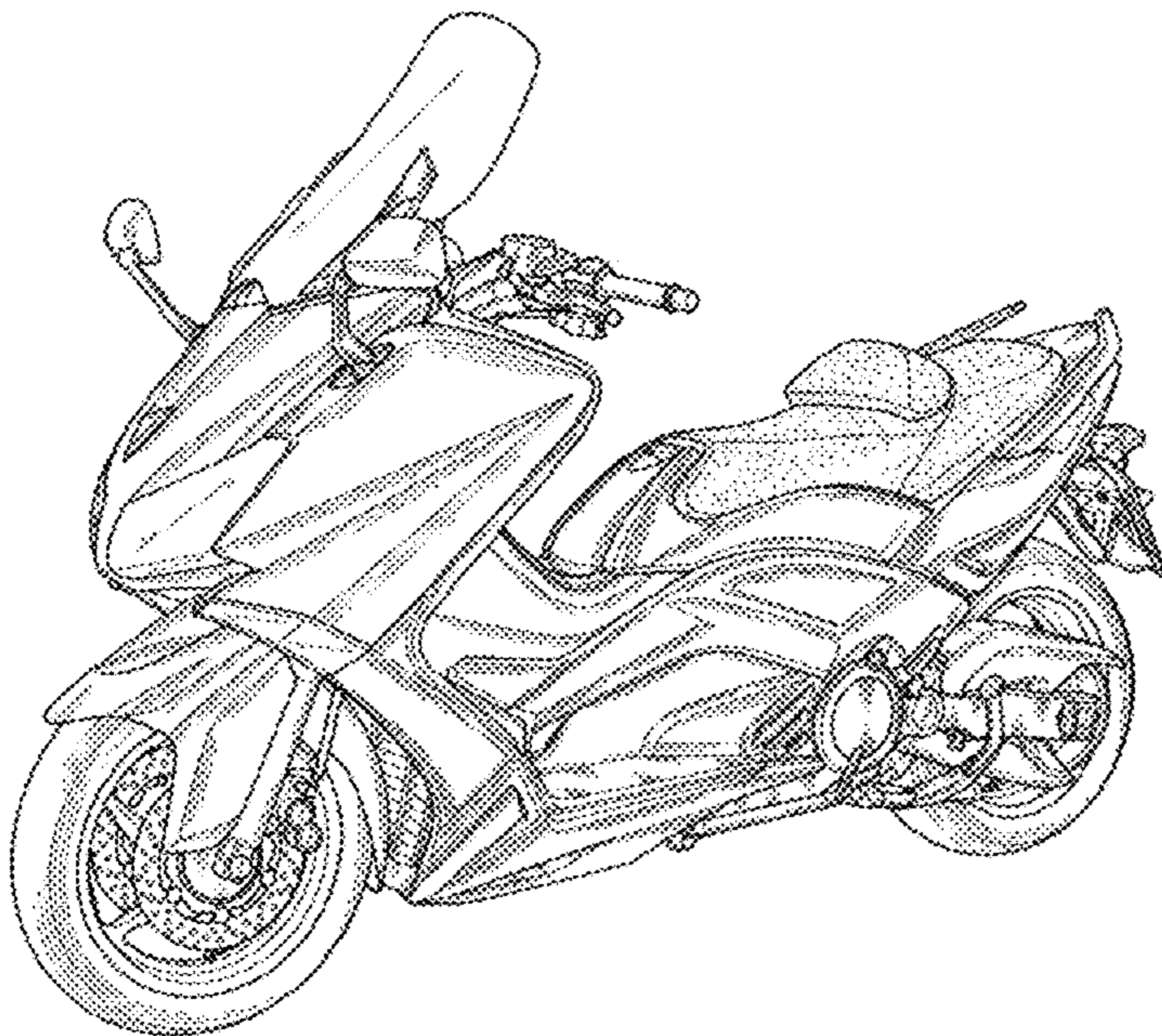
(57) **CLAIM**

The ornamental design for a motorcycle, as shown.

**DESCRIPTION**

FIG. 1 is a right side, front, perspective view of a motorcycle showing my new design;  
FIG. 2 is a left side, rear perspective view thereof;  
FIG. 3 is a right side view thereof;  
FIG. 4 is a left side view thereof;  
FIG. 5 is a front view thereof;  
FIG. 6 is a rear view thereof;  
FIG. 7 is a top view thereof; and,  
FIG. 8 is a bottom view thereof.

**1 Claim, 8 Drawing Sheets**



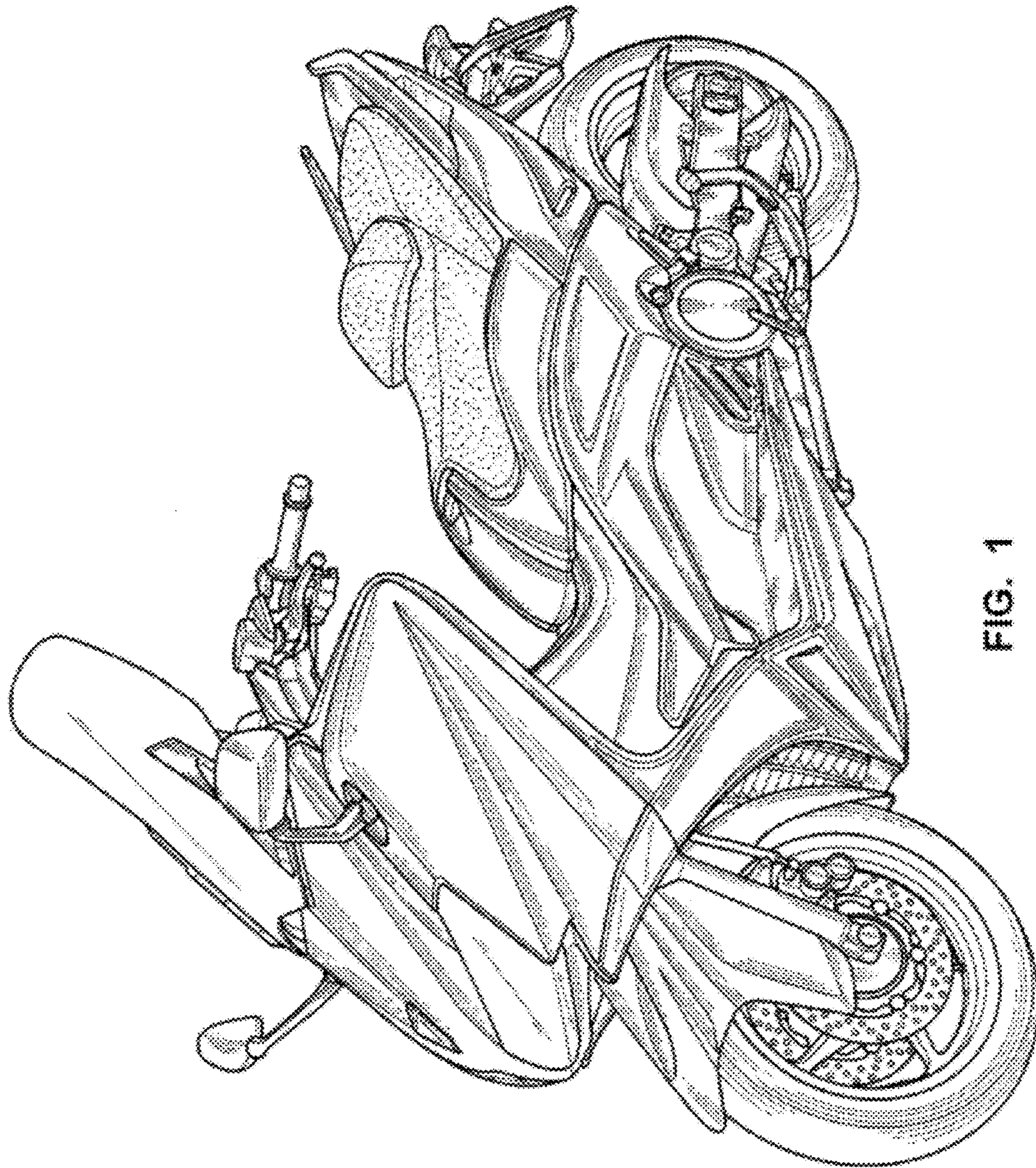


FIG. 1

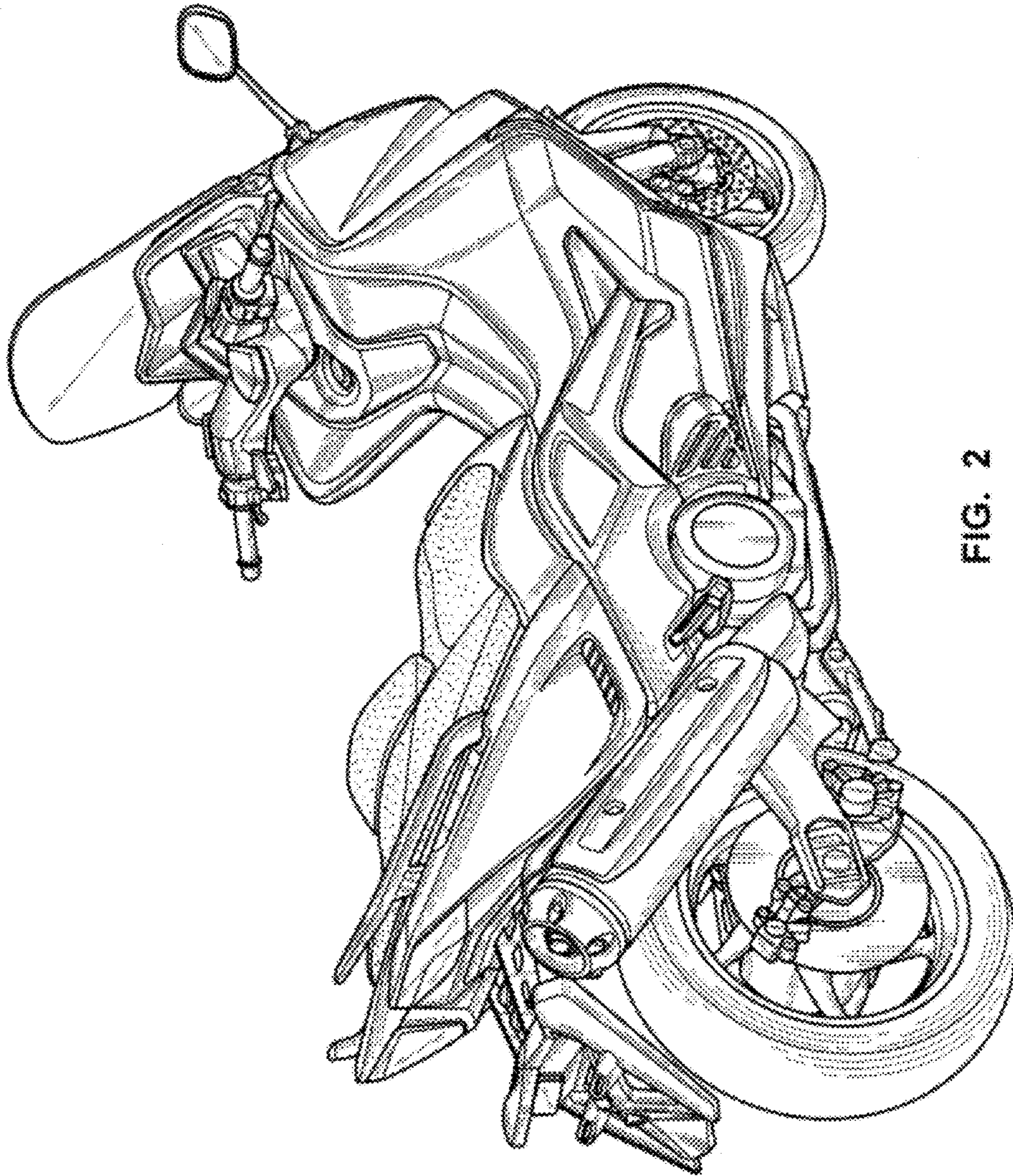


FIG. 2

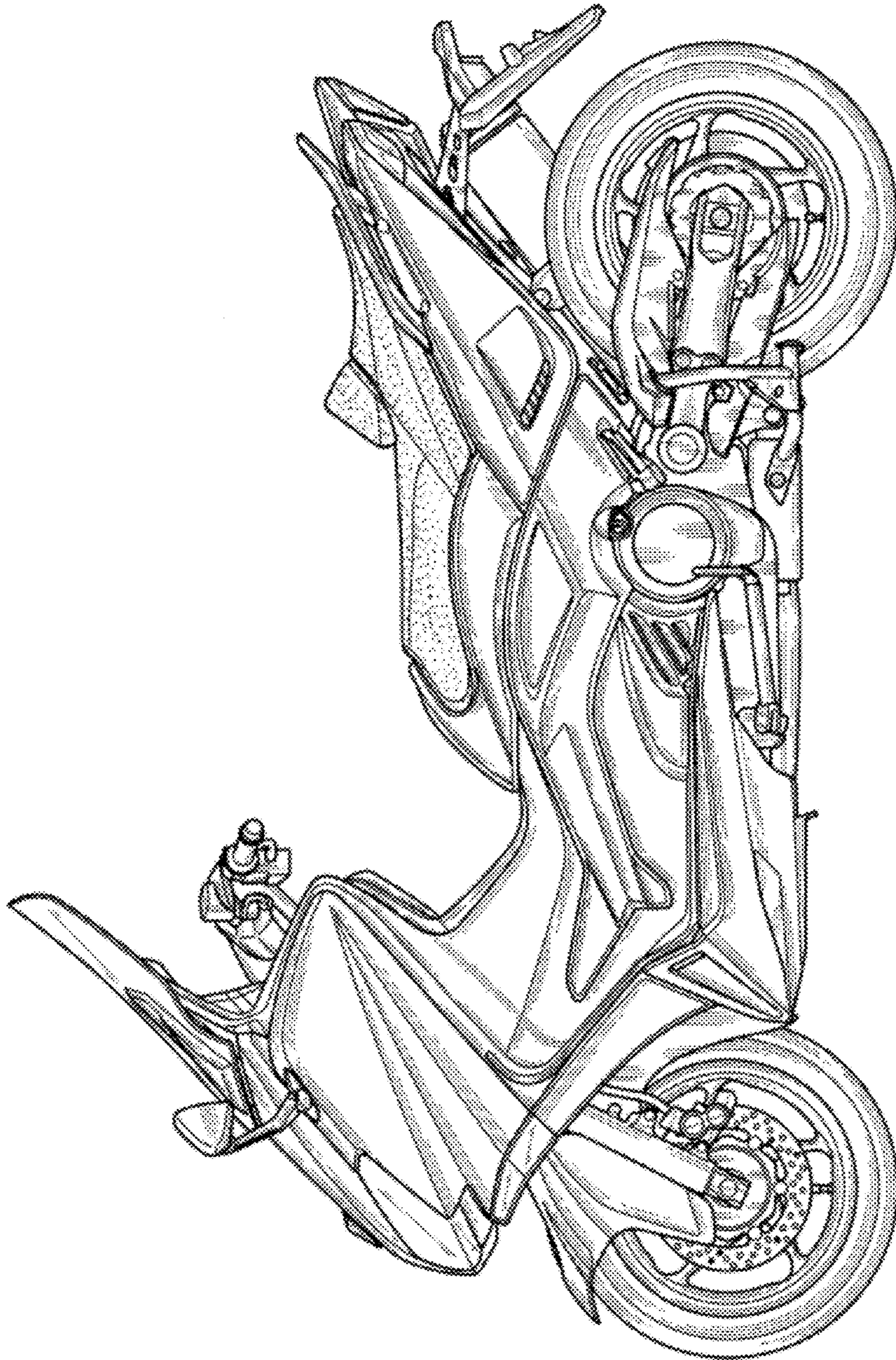


FIG. 3

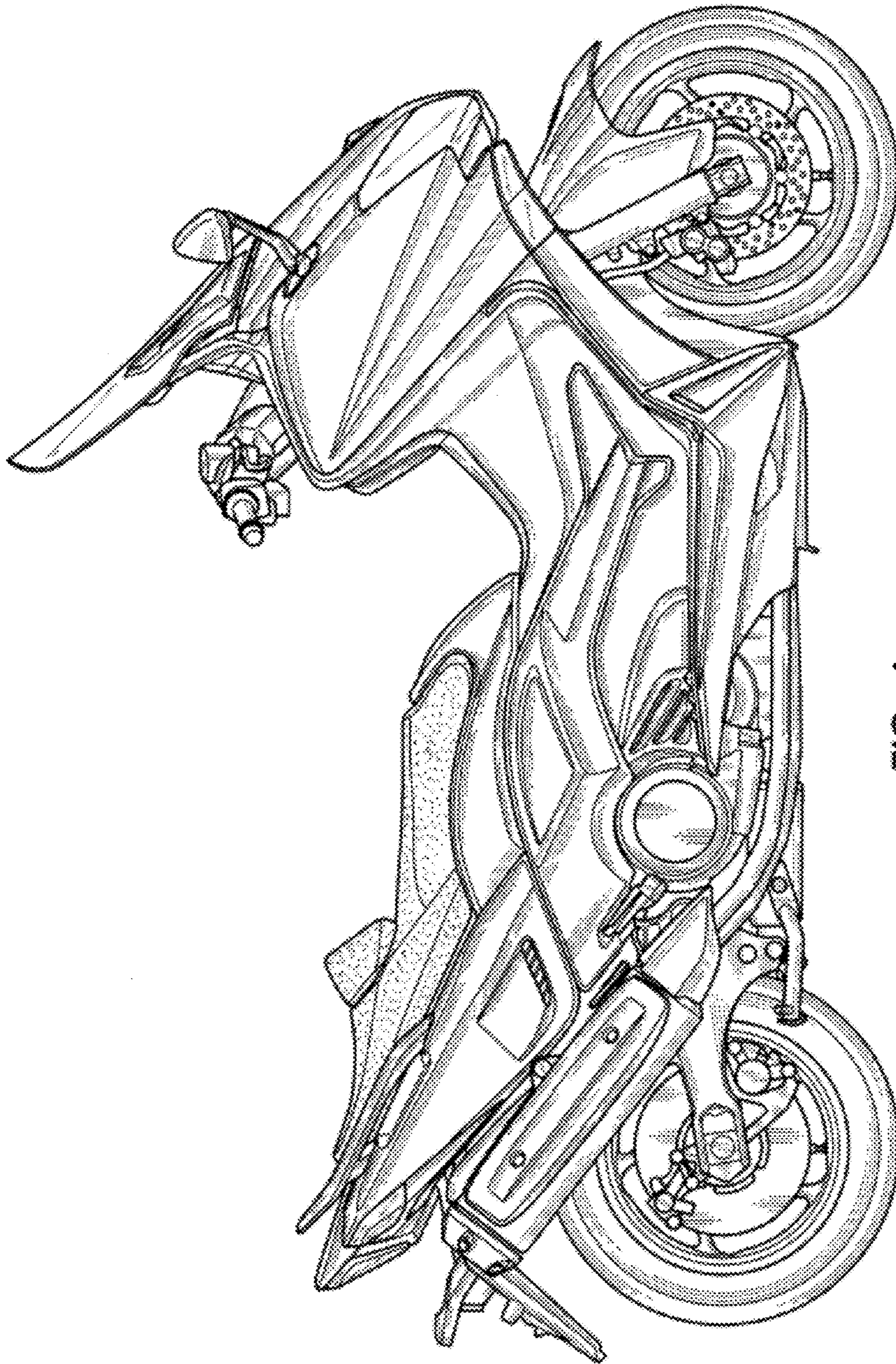


FIG. 4

FIG. 5

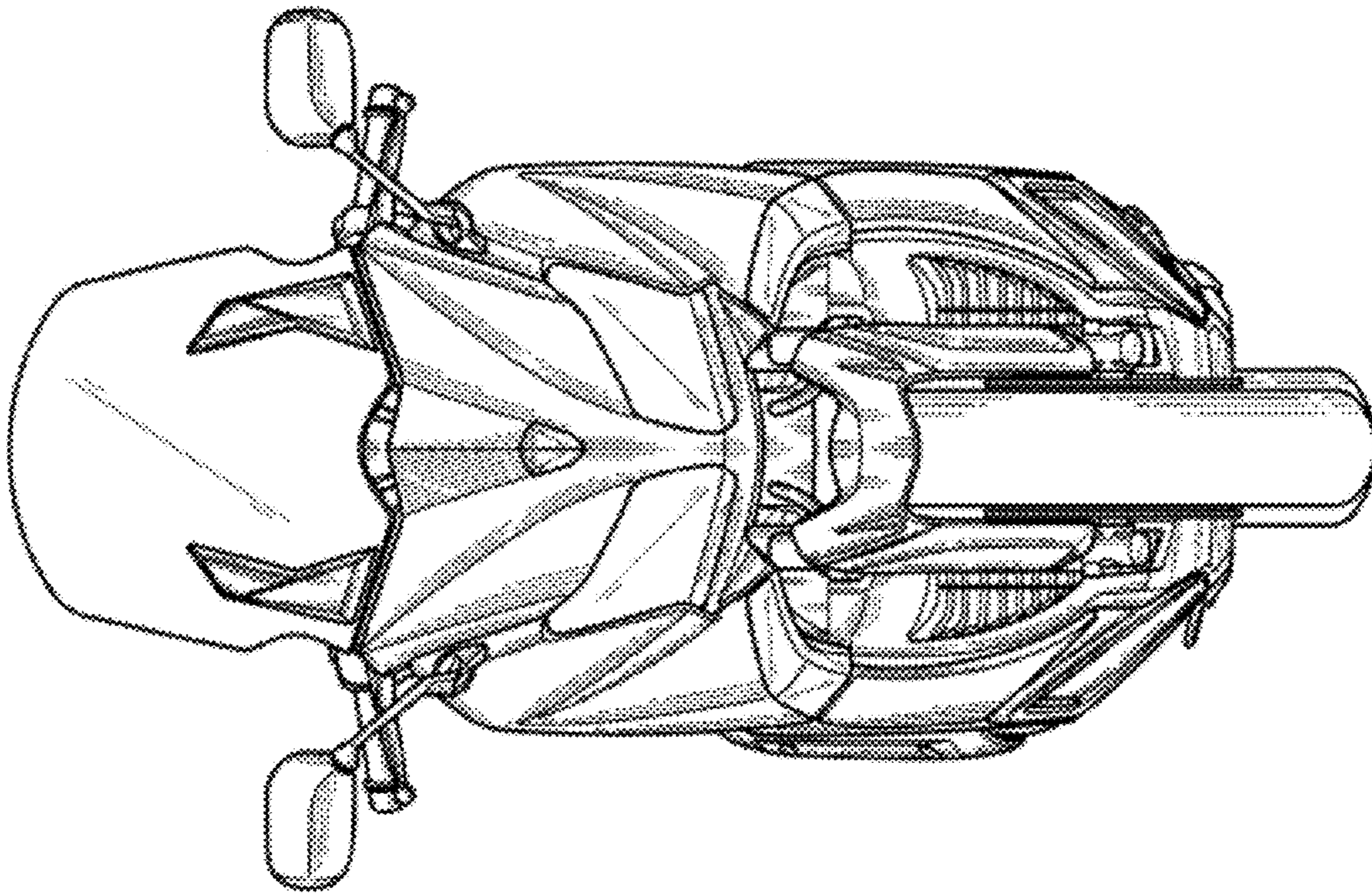
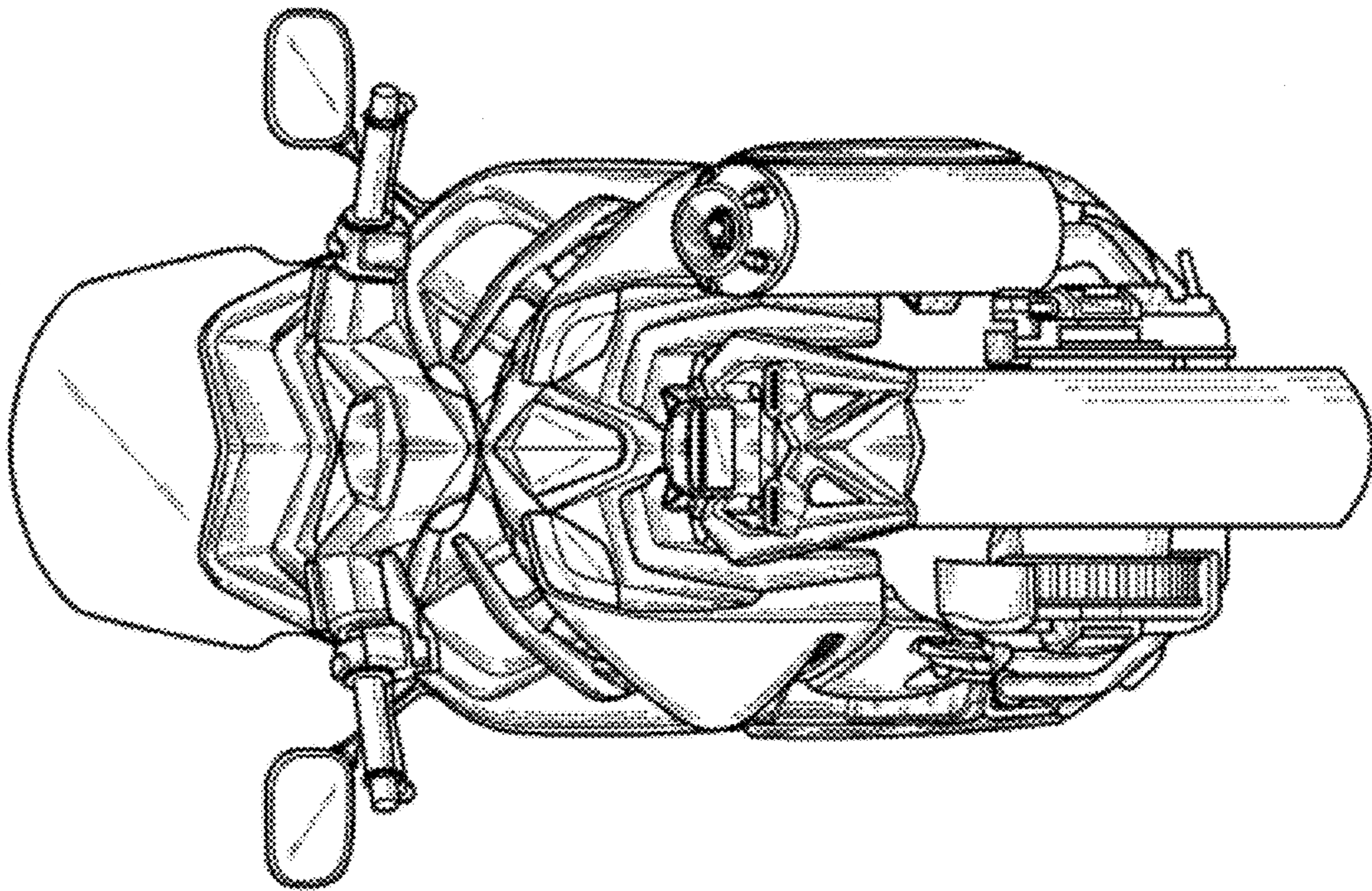


FIG. 6



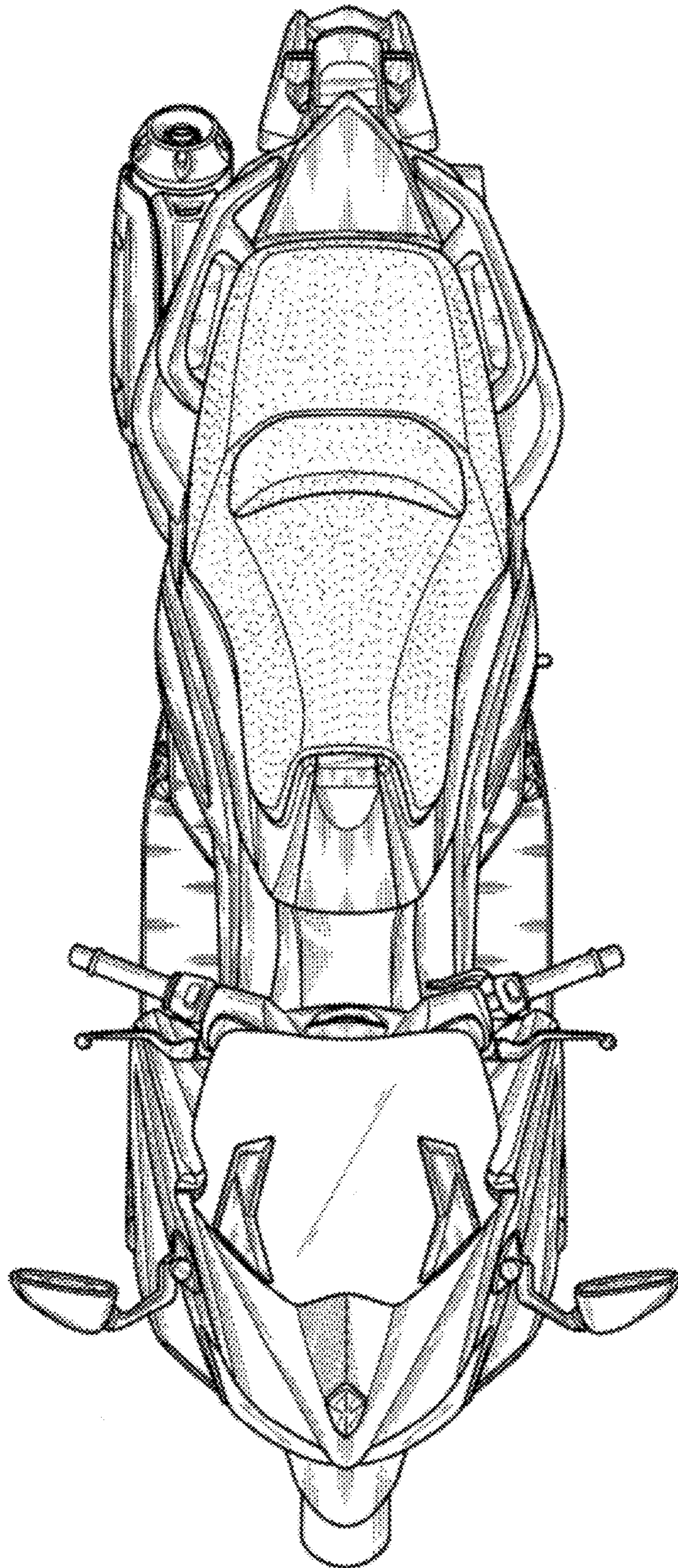


FIG. 7



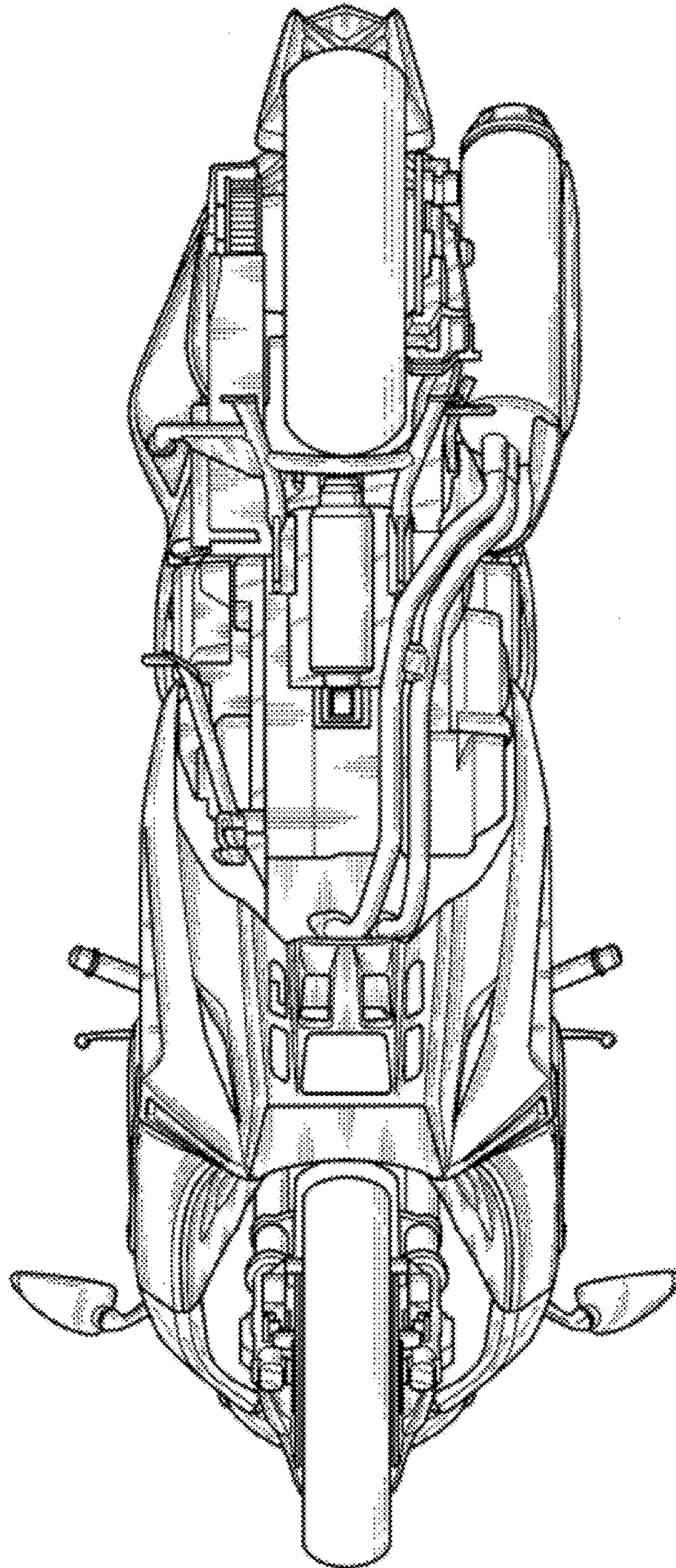


FIG. 8