



US00D670204S

(12) **United States Design Patent**  
**Yasuhara et al.**

(10) **Patent No.:** **US D670,204 S**  
(45) **Date of Patent:** **\*\* Nov. 6, 2012**

(54) **MOTORCYCLE**

(75) Inventors: **Hidefumi Yasuhara**, Kakogawa (JP);  
**Takumi Uemoto**, Kobe (JP)  
(73) Assignee: **Kawasaki Jukogyo Kabushiki Kaisha**,  
Hyogo (JP)

(\*\*) Term: **14 Years**

(21) Appl. No.: **29/395,746**

(22) Filed: **Mar. 21, 2012**

(30) **Foreign Application Priority Data**

Sep. 30, 2011 (JP) ..... 2011-022519

(51) **LOC (9) Cl.** ..... **12-11**

(52) **U.S. Cl.** ..... **D12/110**

(58) **Field of Classification Search** ..... D12/110;  
180/219, 220, 225, 229

See application file for complete search history.

(56) **References Cited**

U.S. PATENT DOCUMENTS

D588,961 S *	3/2009	Tanaka et al. ....	D12/110
D605,090 S *	12/2009	Tanaka et al. ....	D12/110
D606,457 S *	12/2009	Tanaka et al. ....	D12/110
D638,756 S *	5/2011	Kouchi et al. ....	D12/110
D647,825 S *	11/2011	Shibuta et al. ....	D12/110

\* cited by examiner

*Primary Examiner* — Susan M Lee  
*Assistant Examiner* — Linda G. Brooks

(57) **CLAIM**

The ornamental design for a motorcycle, as shown and described.

**DESCRIPTION**

FIG. 1 is a front elevational view of a motorcycle showing our new design;  
FIG. 2 is a rear elevational view thereof,  
FIG. 3 is a left side elevational view thereof;  
FIG. 4 is a right side elevational view thereof;  
FIG. 5 is a top plan view thereof;  
FIG. 6 is a bottom plan view thereof;  
FIG. 7 is a front left perspective view thereof; and,  
FIG. 8 is a rear right perspective view thereof.

**1 Claim, 8 Drawing Sheets**

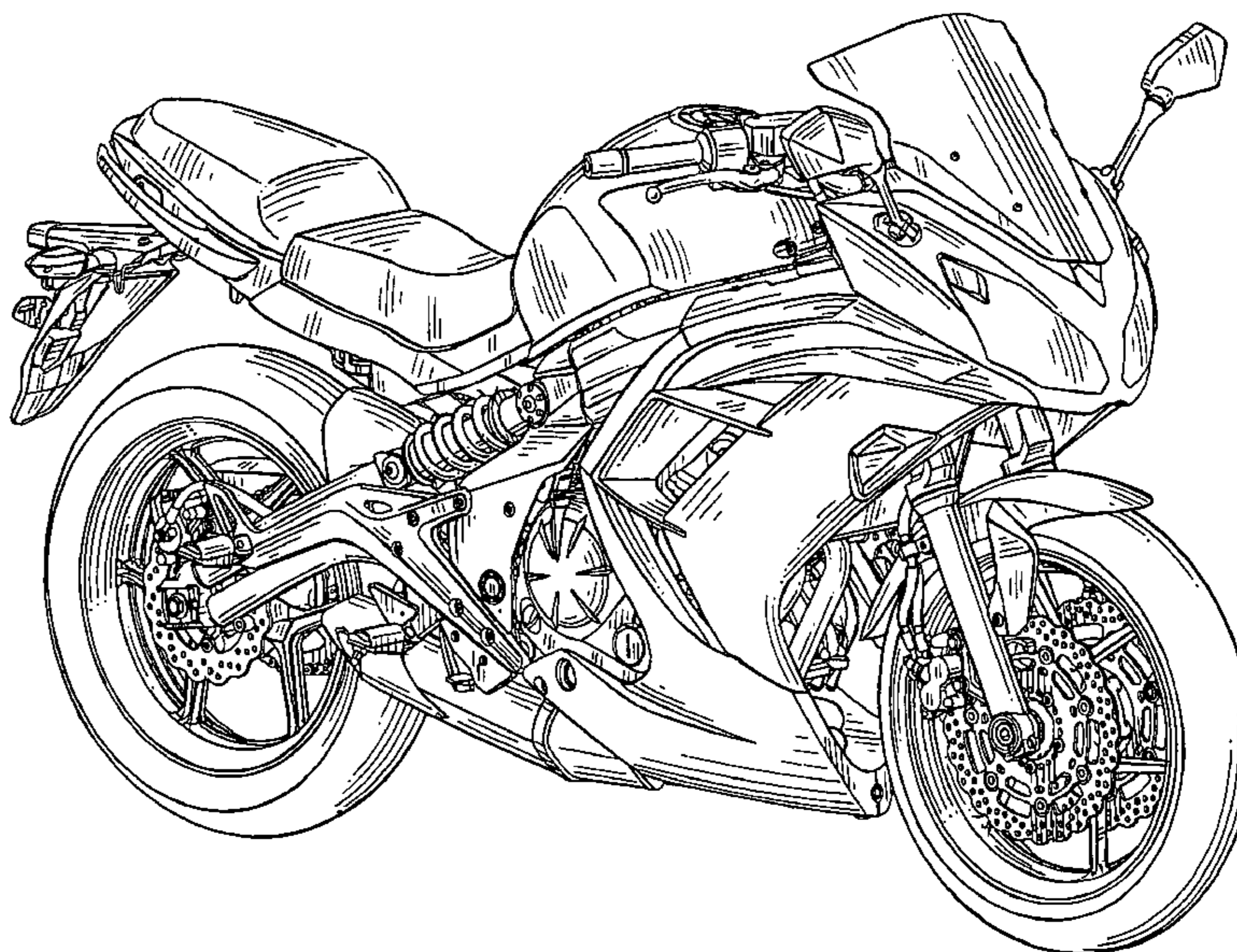
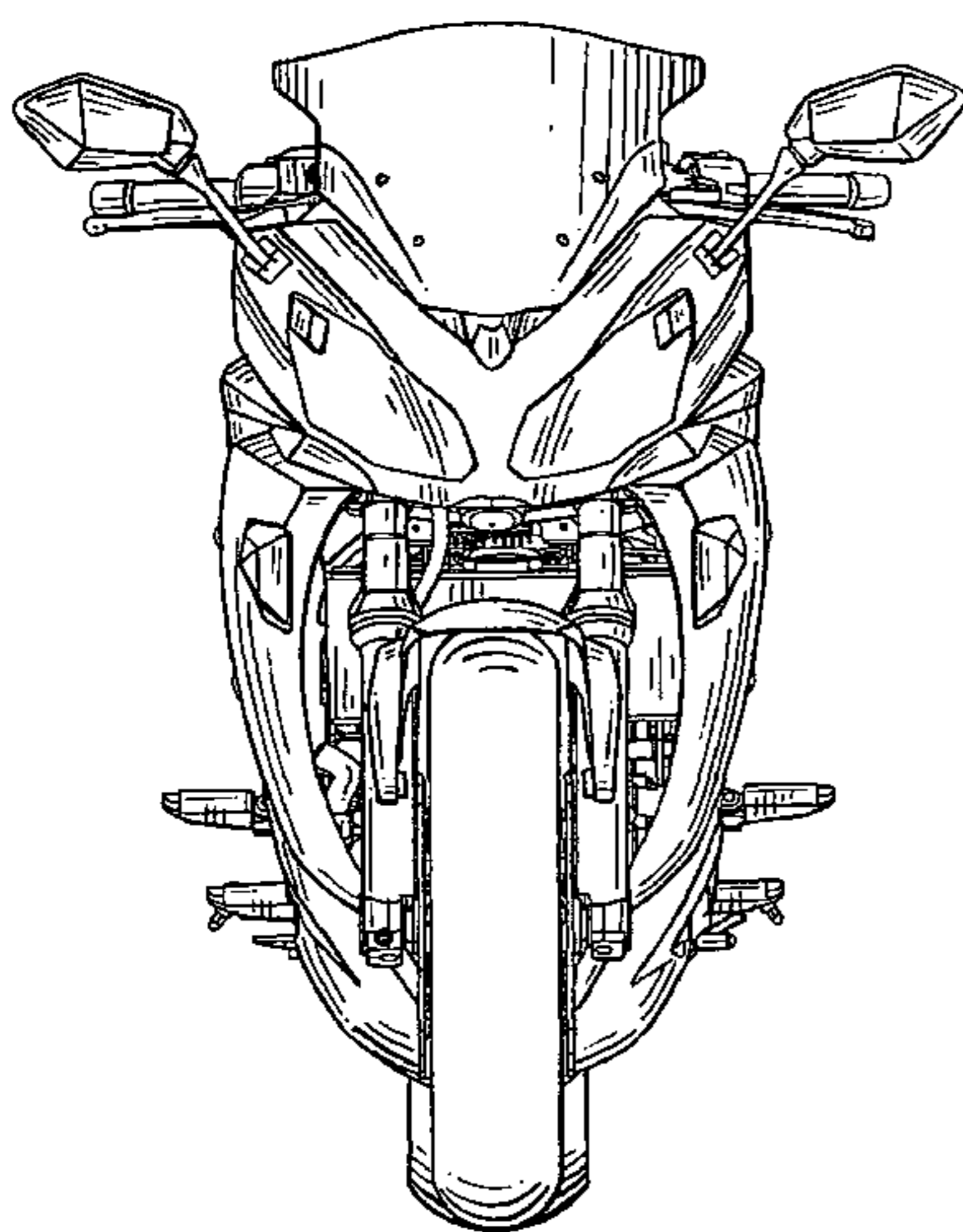


Fig. 1

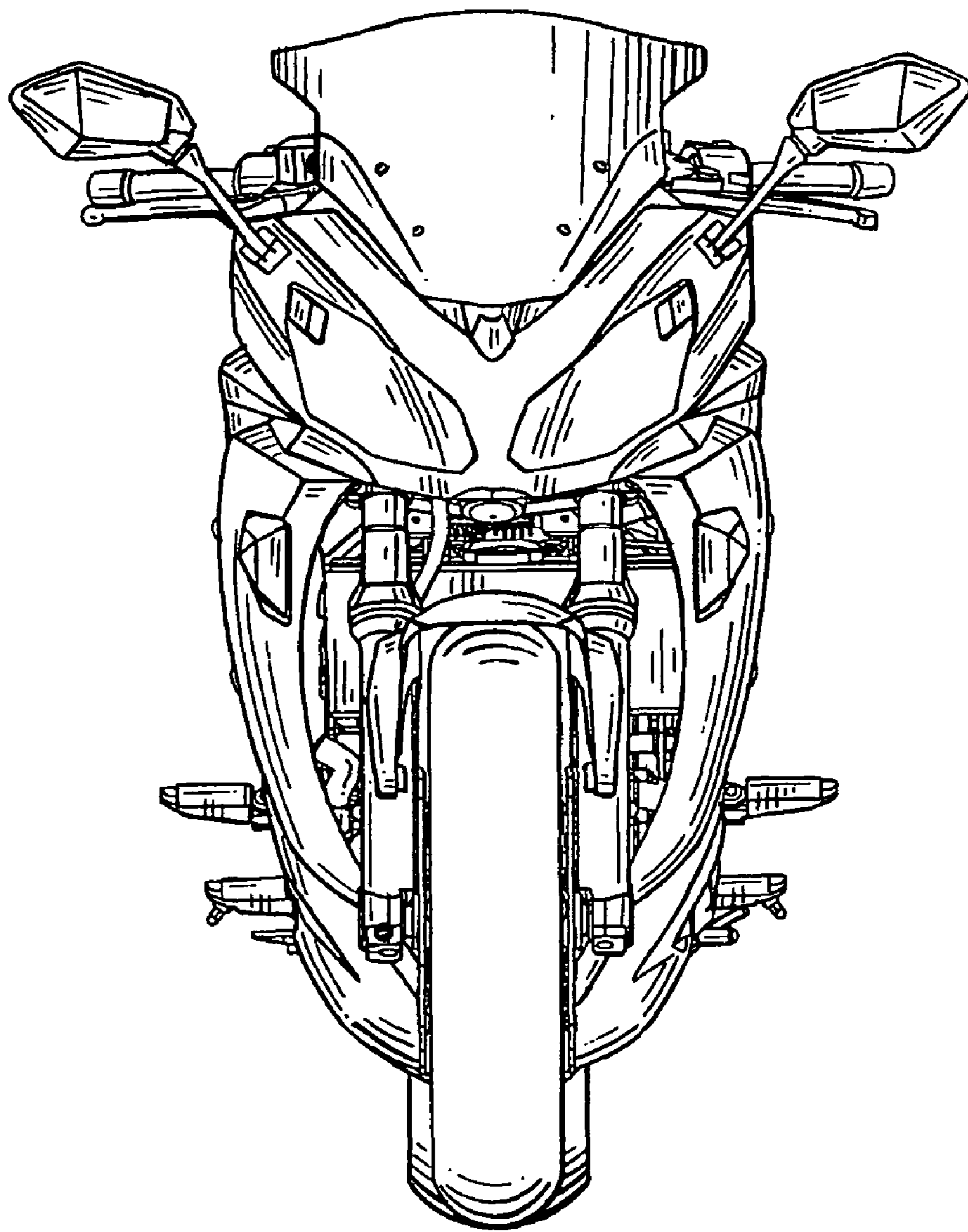
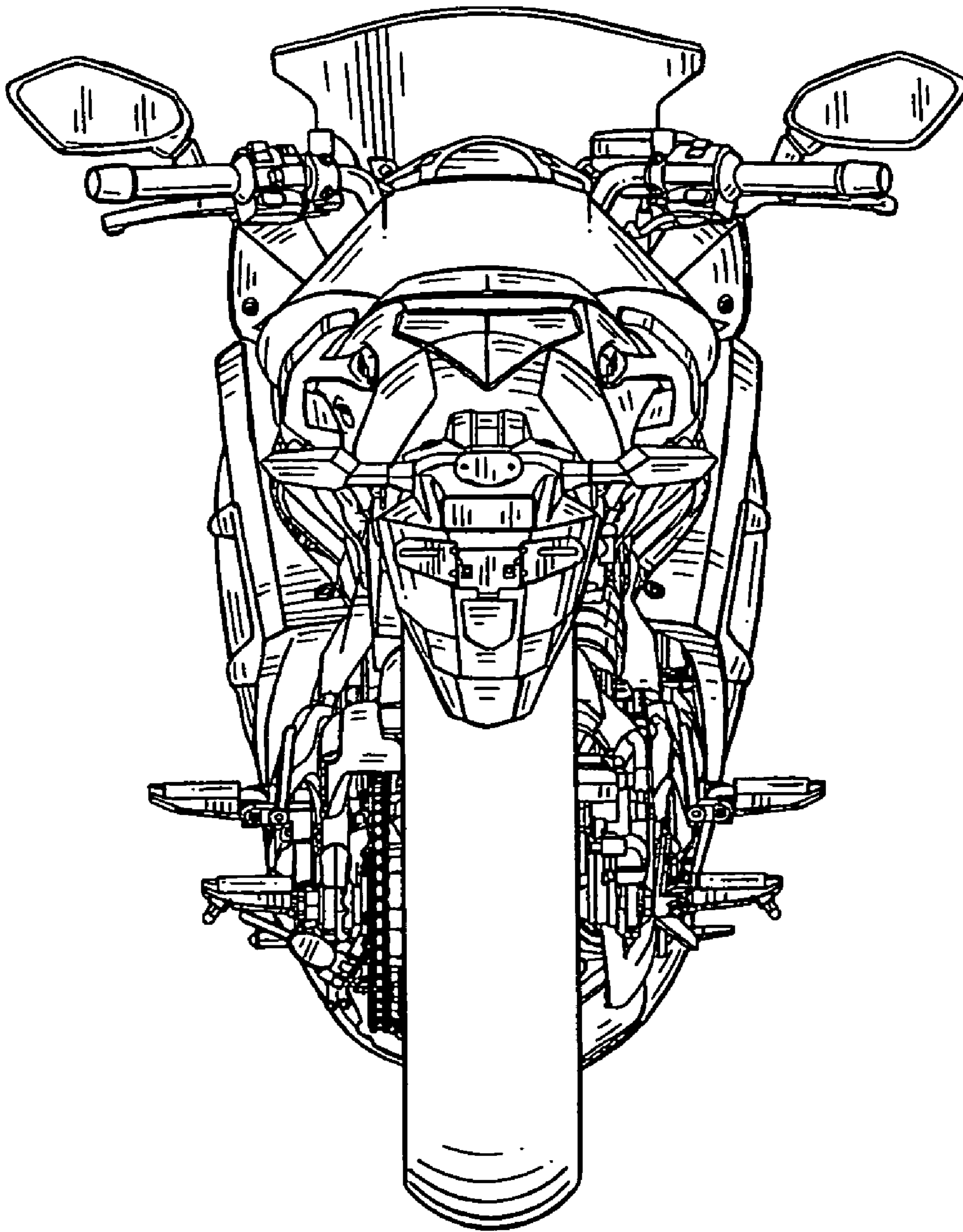


Fig. 2



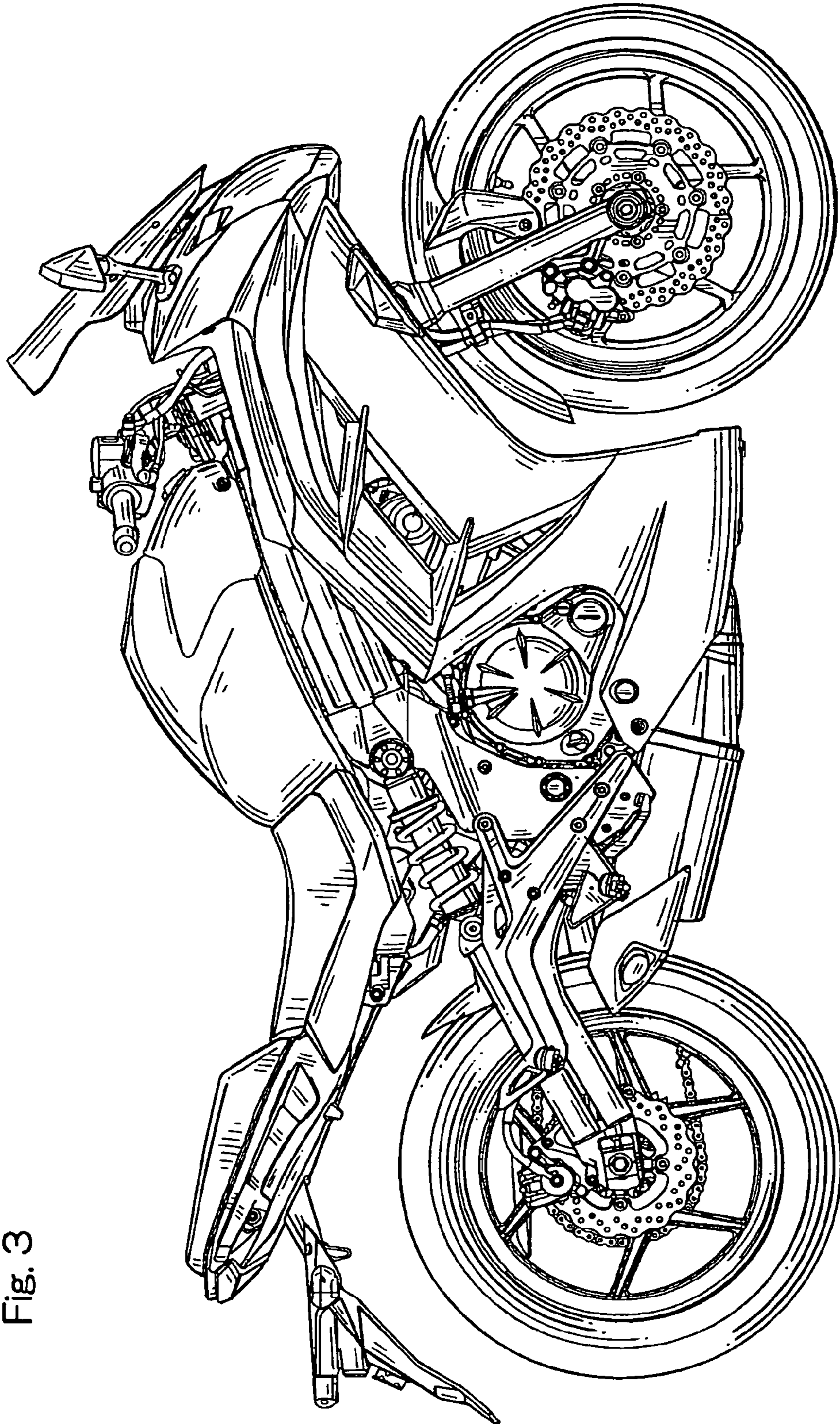


Fig. 3

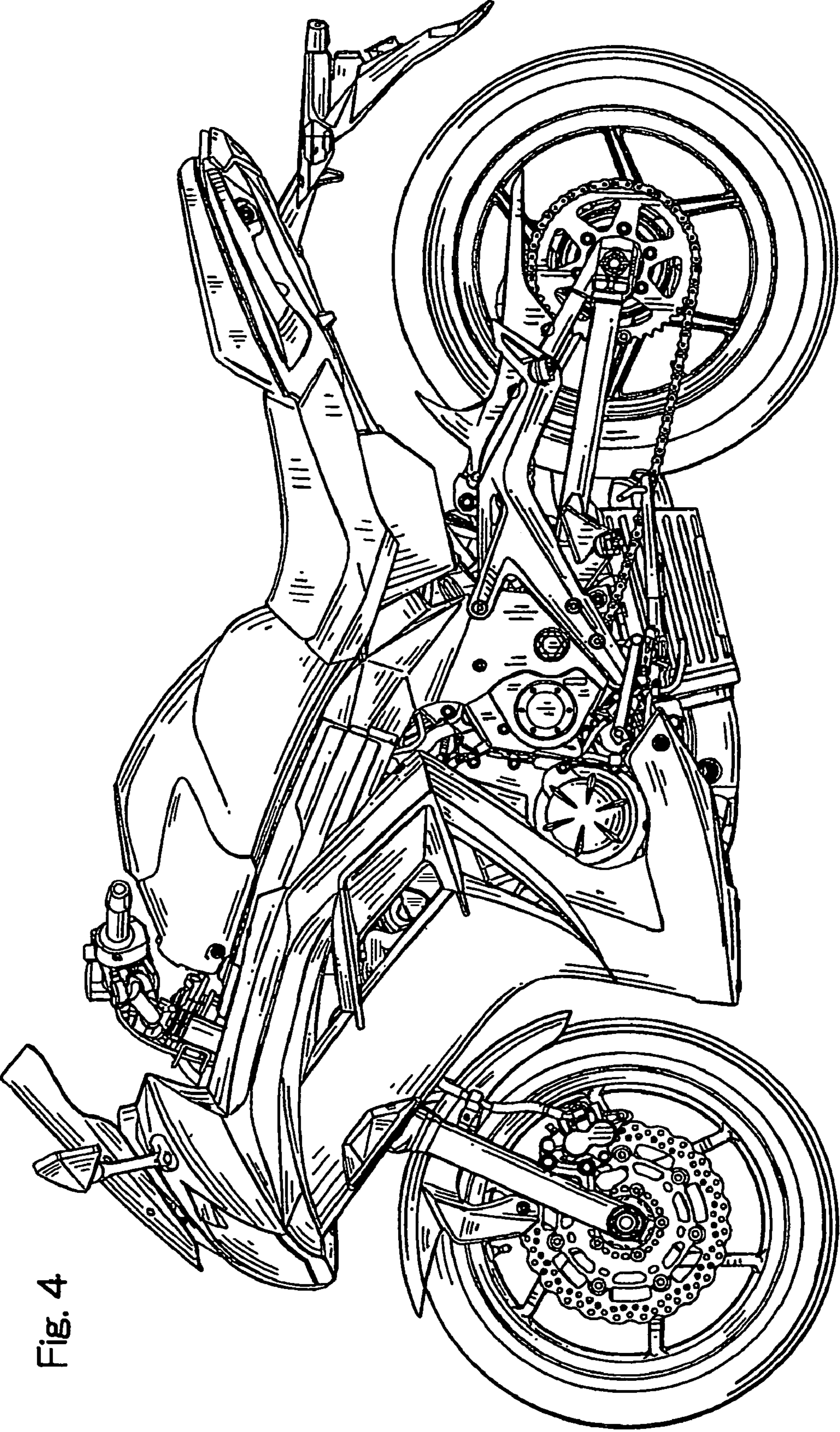


Fig. 4

Fig. 5

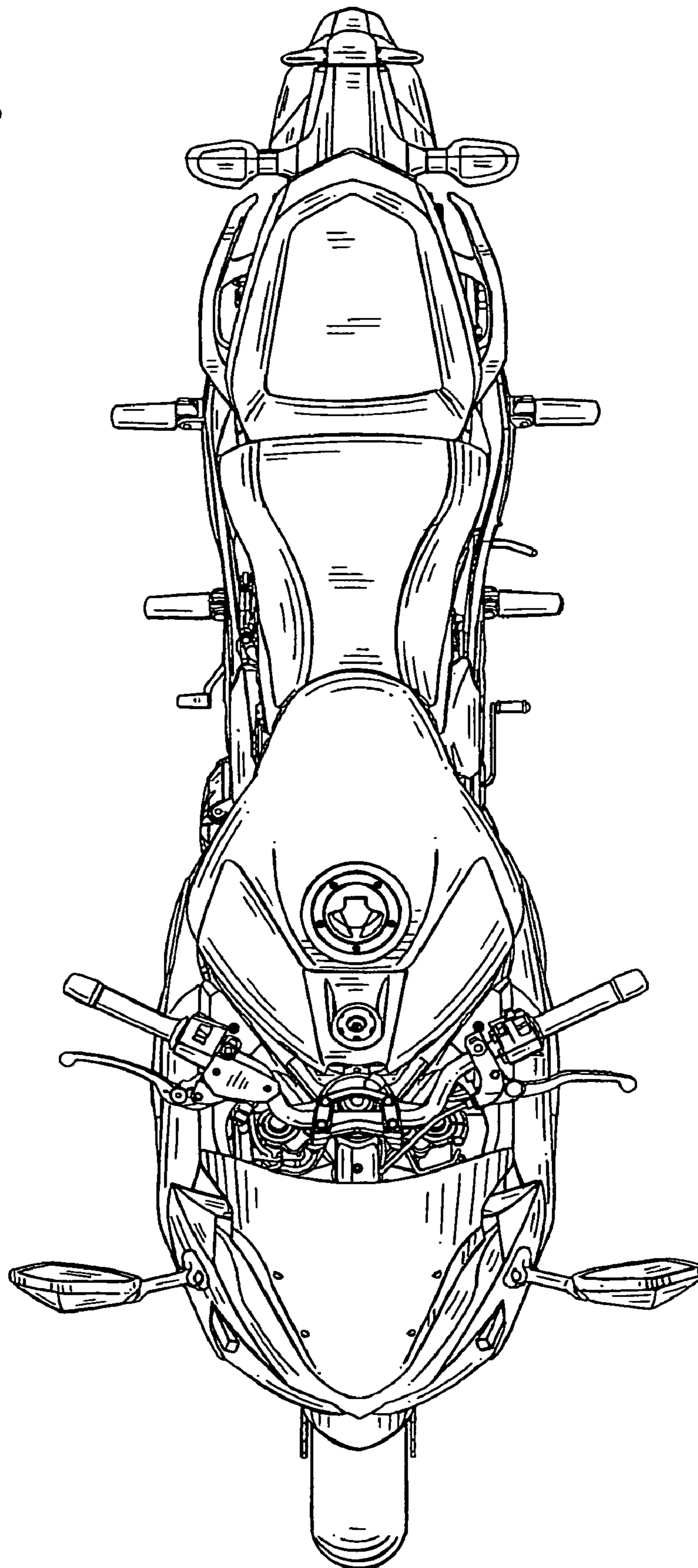
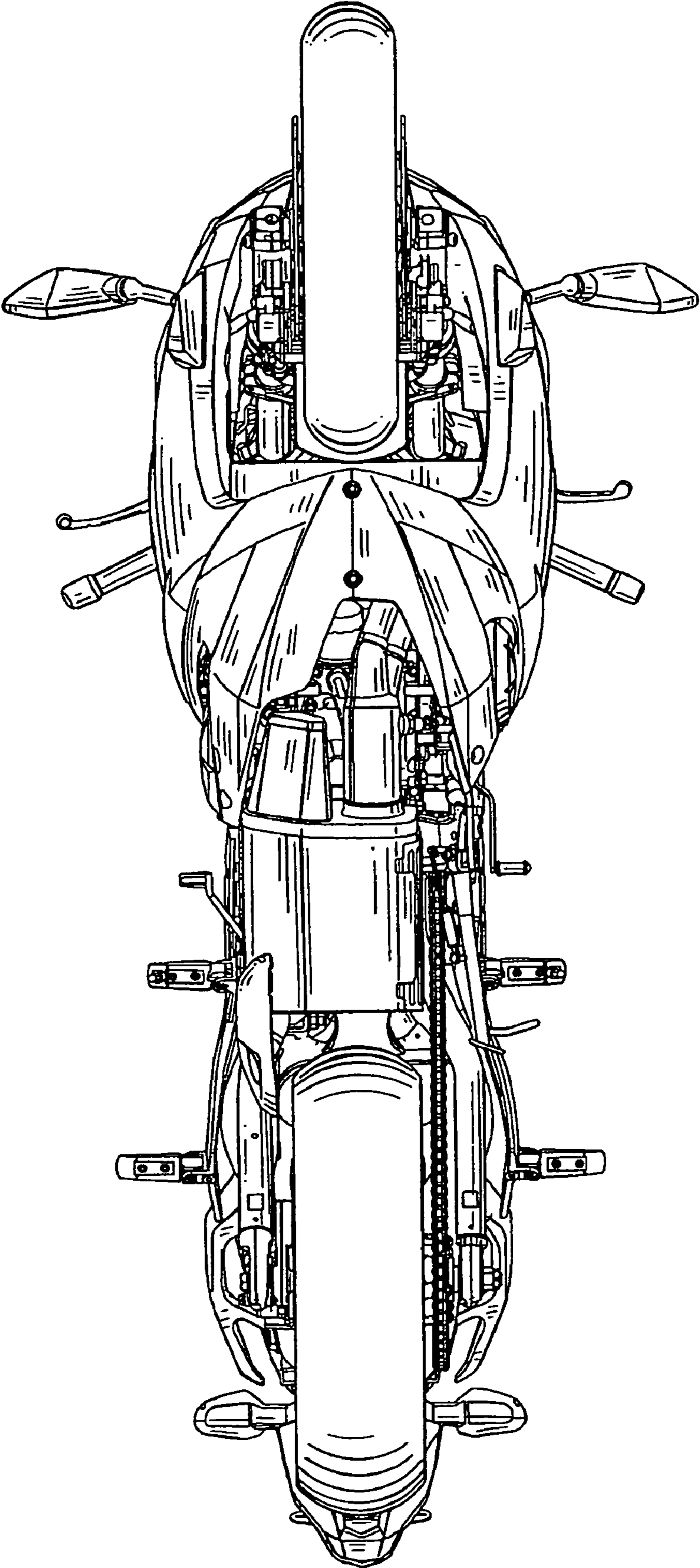


Fig. 6



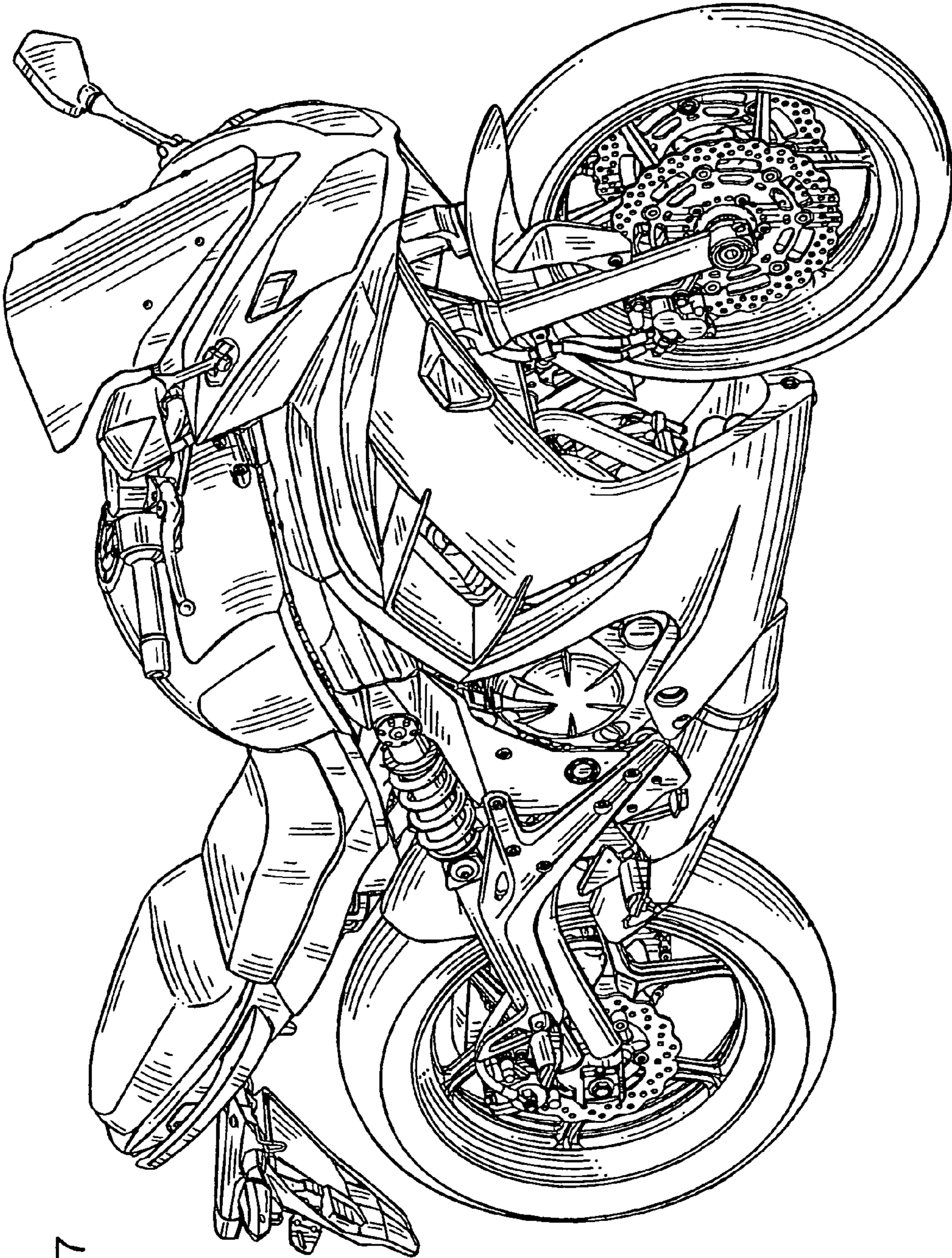


Fig. 7



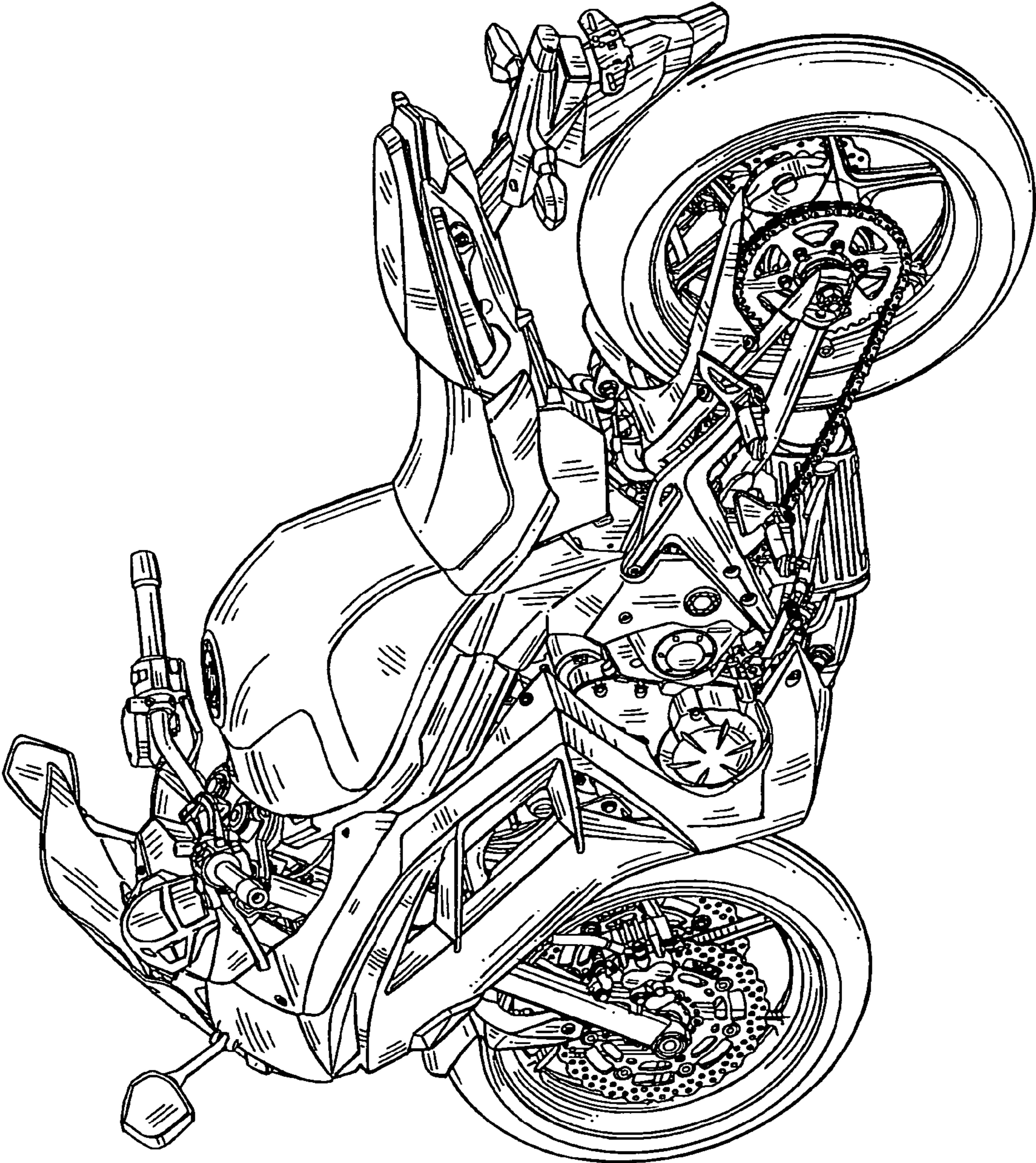


Fig. 8