



US00D670201S

(12) **United States Design Patent**
Ham

(10) **Patent No.:** **US D670,201 S**

(45) **Date of Patent:** **** Nov. 6, 2012**

(54) **AUTOMOBILE FOR PASSENGERS**

(75) Inventor: **WonSik Ham**, Gyeonggi-do (KR)

(73) Assignee: **Kia Motors Corporation**, Seoul (KR)

(**) Term: **14 Years**

(21) Appl. No.: **29/382,242**

(22) Filed: **Dec. 30, 2010**

(30) **Foreign Application Priority Data**

Dec. 13, 2010 (KR) 30-2010-0053916

(51) **LOC (9) Cl.** **12-08**

(52) **U.S. Cl.** **D12/92**

(58) **Field of Classification Search** D12/86,
D12/90-92; D21/424, 433, 434; 296/181.1,
296/181.5

See application file for complete search history.

(56) **References Cited**

U.S. PATENT DOCUMENTS

D612,299 S * 3/2010 Ito et al. D12/92
D626,457 S * 11/2010 Lian et al. D12/92

D628,940 S * 12/2010 Bischoff et al. D12/92
D628,941 S * 12/2010 Yi D12/92
D630,555 S * 1/2011 Koshino et al. D12/92
D630,557 S * 1/2011 Eum D12/92
D632,222 S * 2/2011 Bischoff et al. D12/92
D636,296 S * 4/2011 Lian et al. D12/92
D640,603 S * 6/2011 Ham D12/92

* cited by examiner

Primary Examiner — Melody N Brown

(74) *Attorney, Agent, or Firm* — Edwards Wildman Palmer
LLP

(57) **CLAIM**

The ornamental design for an automobile for passengers, as shown and described.

DESCRIPTION

FIG. 1 is a front view of an automobile for passengers according to the present invention.

FIG. 2 is a rear view thereof.

FIG. 3 is a top view thereof.

FIG. 4 is a right side view thereof.

FIG. 5 is a left side view thereof; and,

FIG. 6 is a perspective view thereof.

1 Claim, 6 Drawing Sheets

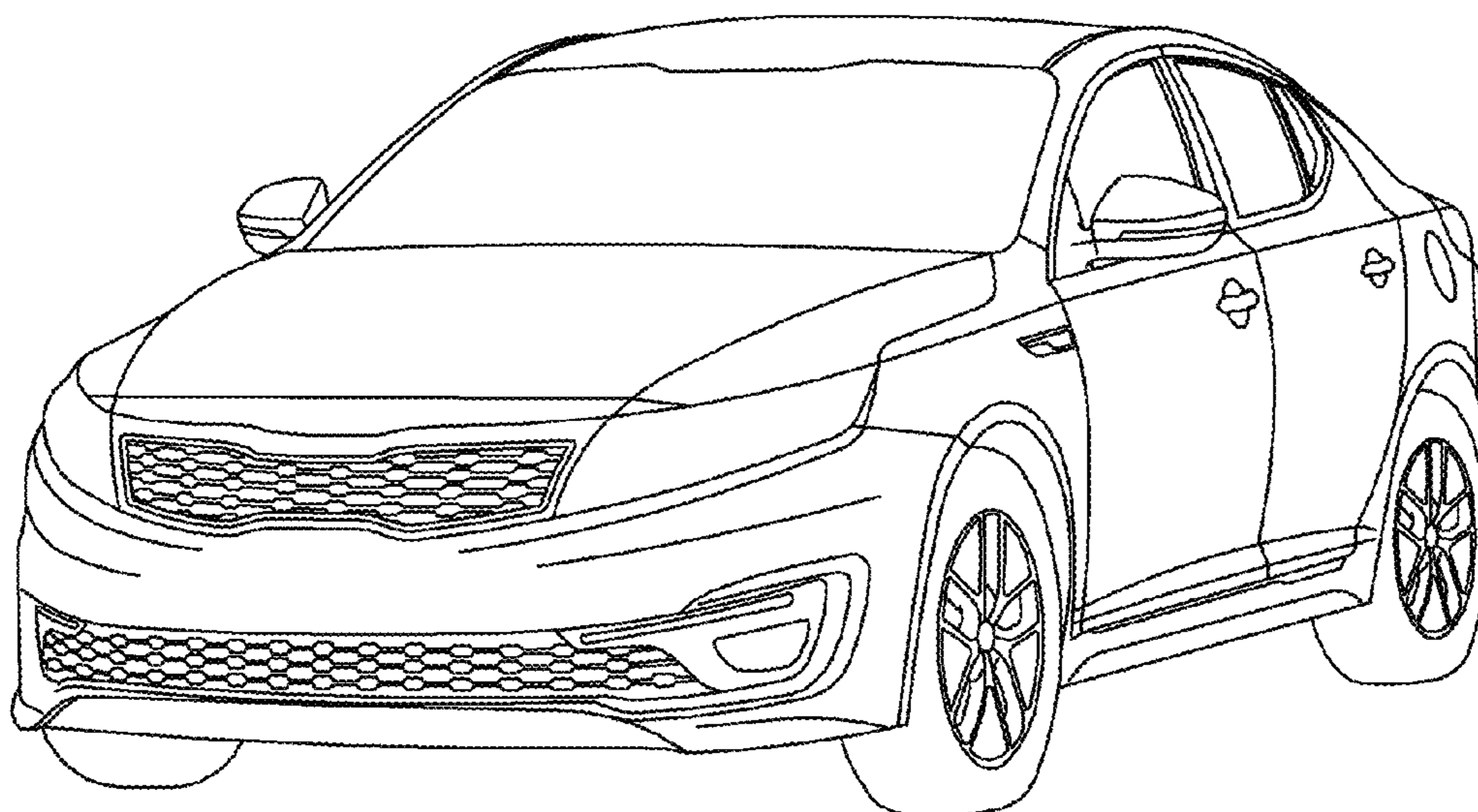


FIG. 1

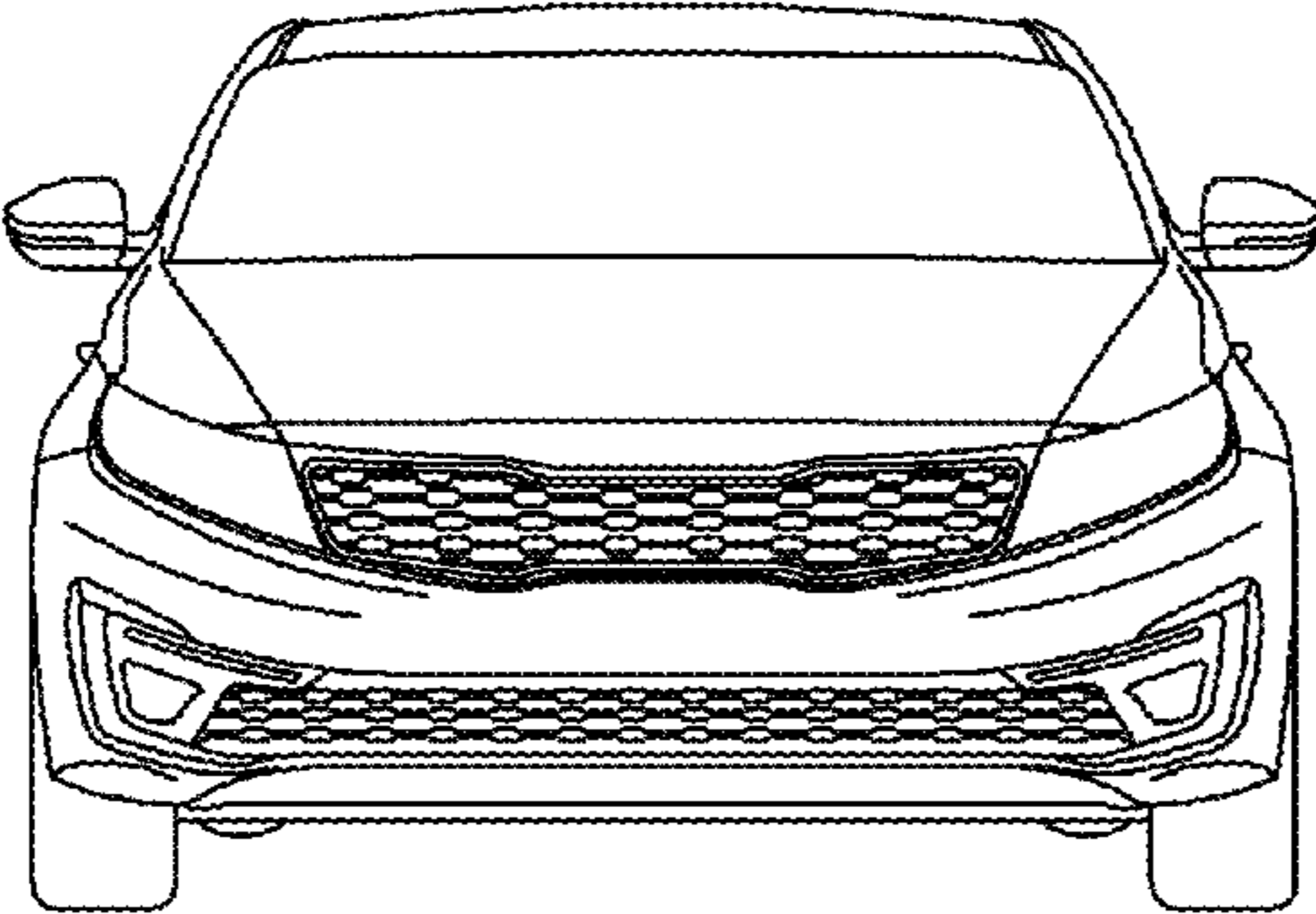


FIG. 2

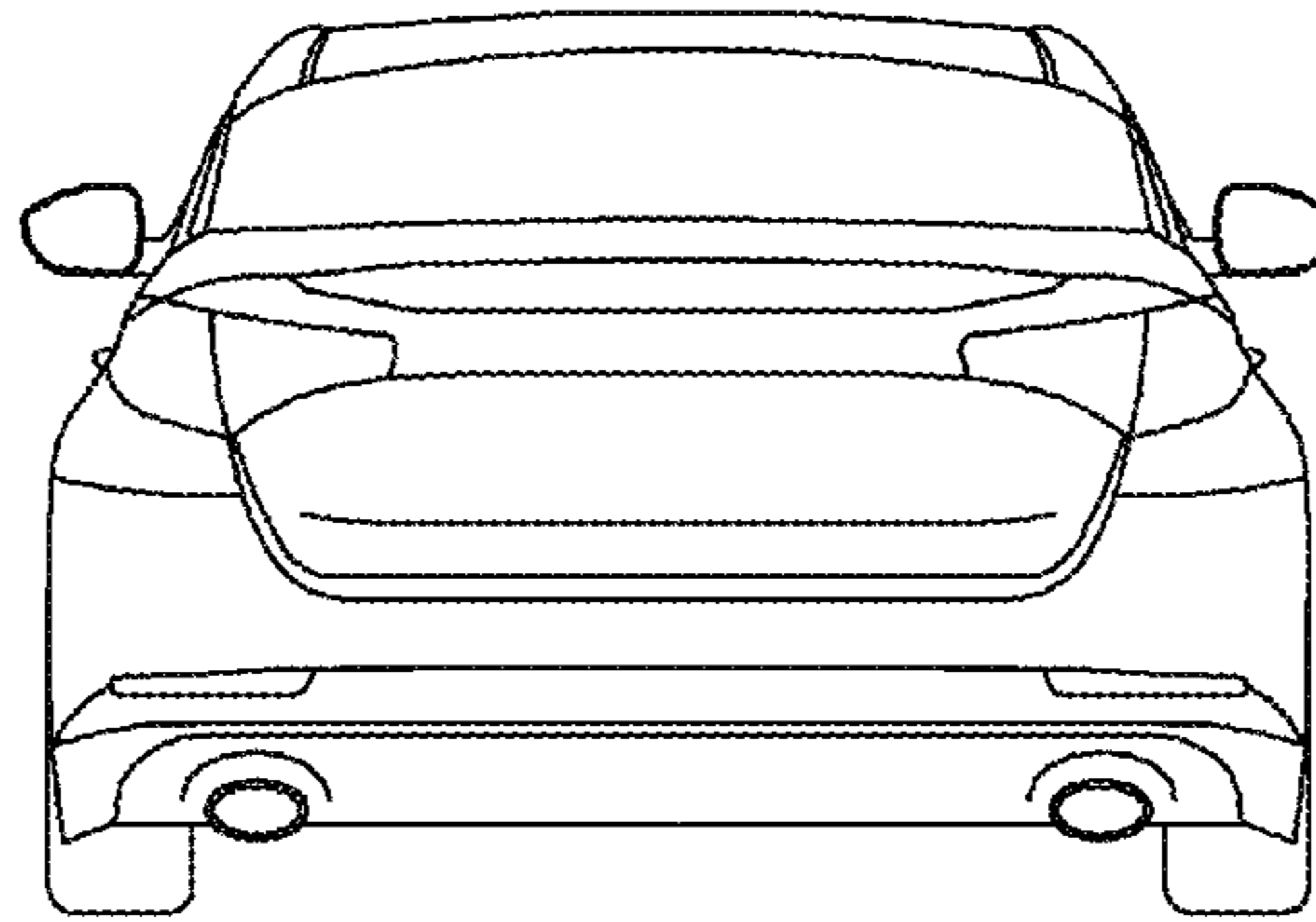


FIG. 3

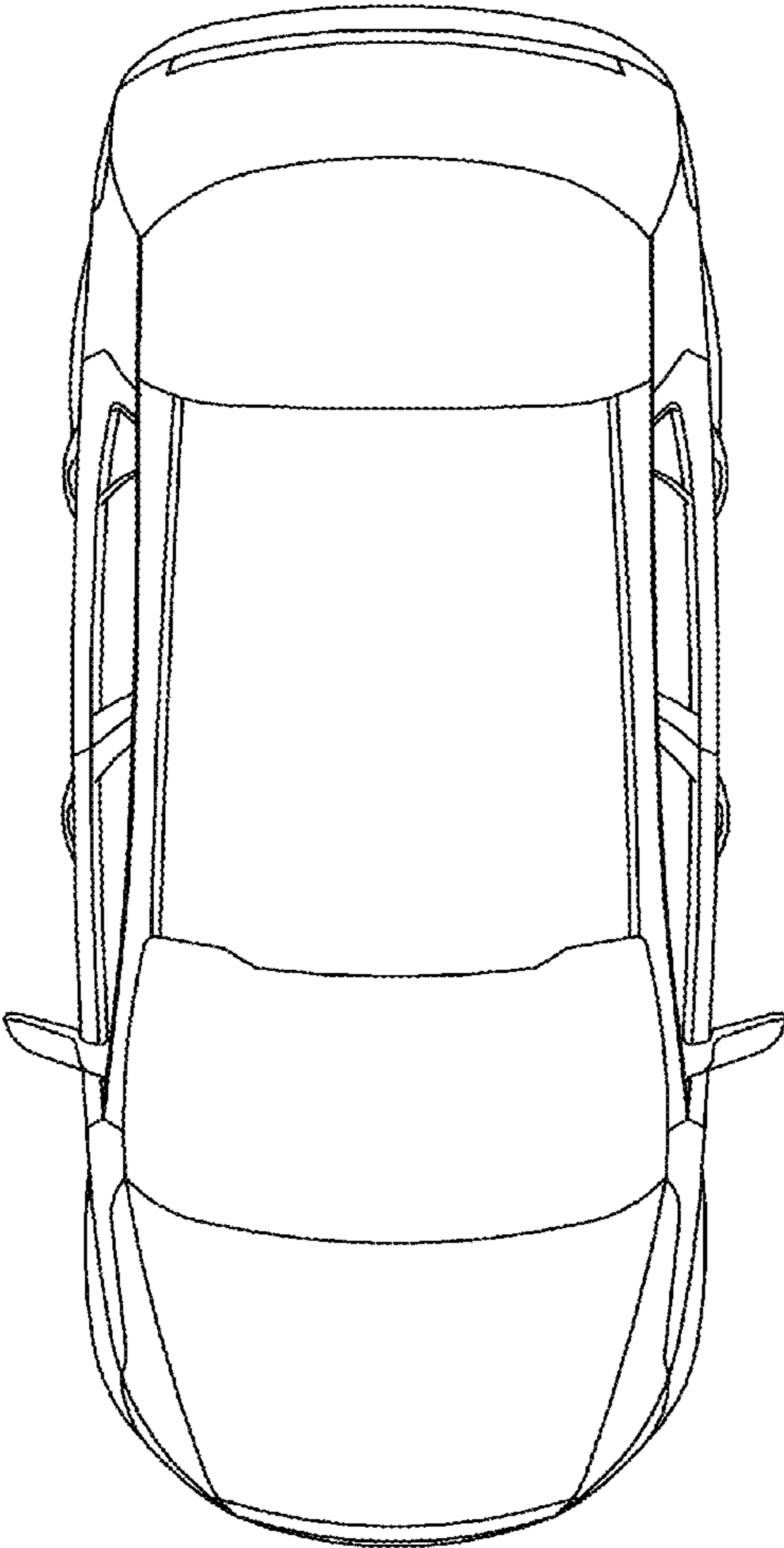


FIG. 4

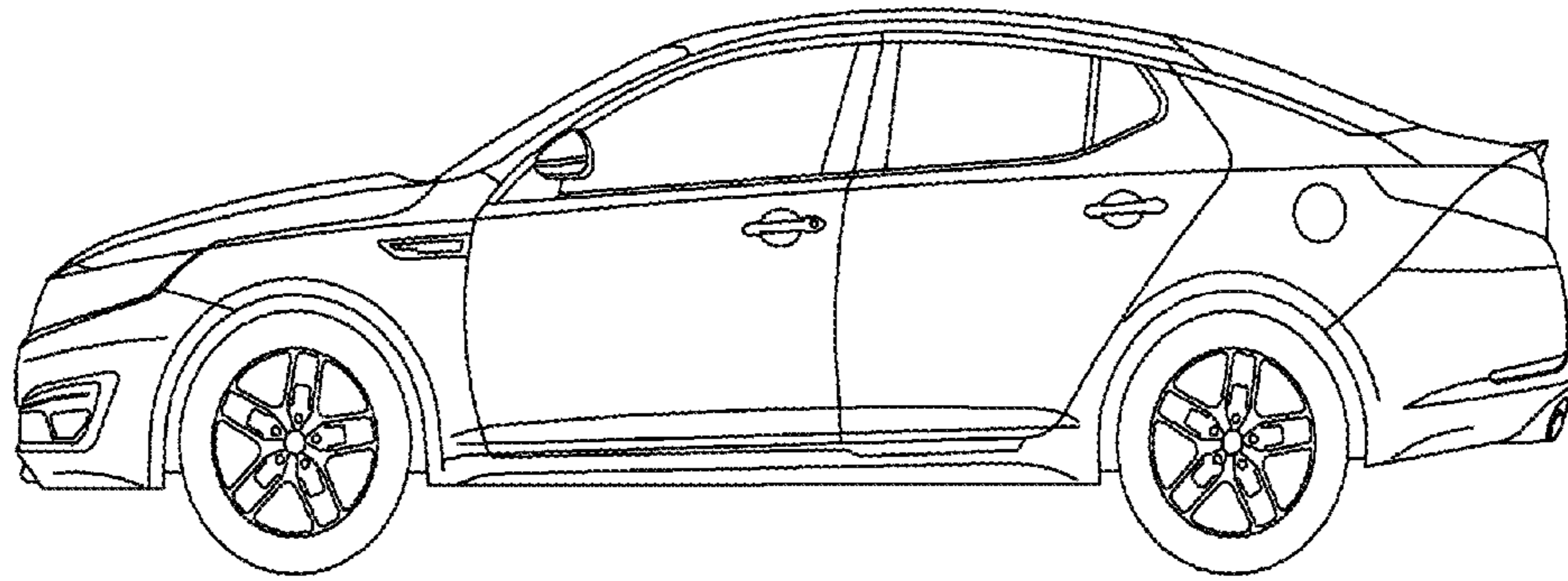


FIG. 5

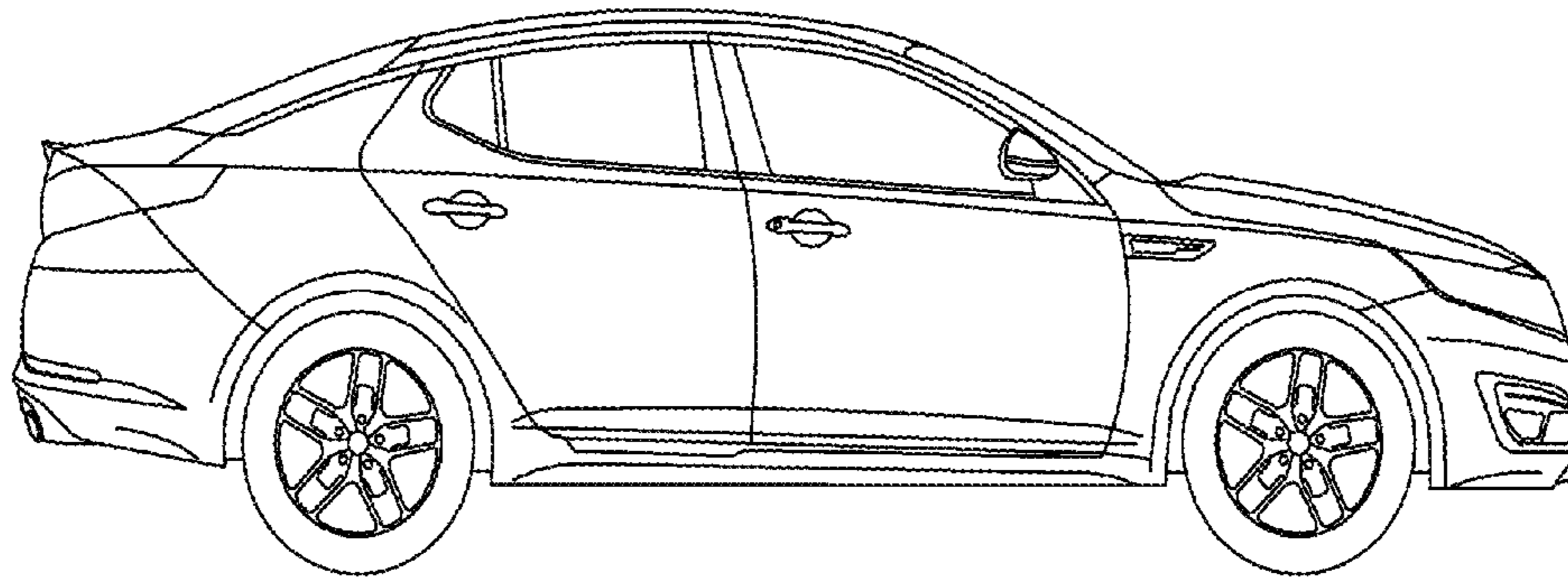


FIG. 6

