



US00D670200S

(12) **United States Design Patent**
Toriyama et al.

(10) **Patent No.:** **US D670,200 S**
(45) **Date of Patent:** **** Nov. 6, 2012**

(54) **AUTOMOBILE, TOY REPLICA AND/OR
OTHER REPLICAS**

(75) Inventors: **Daisuke Toriyama**, Saitama-ken (JP);
Masashi Nakai, Saitama-ken (JP)

(73) Assignee: **Honda Motor Co., Ltd**, Tokyo (JP)

(**) Term: **14 Years**

(21) Appl. No.: **29/403,907**

(22) Filed: **Oct. 12, 2011**

(30) **Foreign Application Priority Data**

Apr. 20, 2011 (JP) 2011-009035

(51) **LOC (9) Cl.** **12-08**

(52) **U.S. Cl.** **D12/91**

(58) **Field of Classification Search** D12/86,
D12/90-92; D21/424, 433, 434; 296/181.1,
296/181.5

See application file for complete search history.

(56) **References Cited**

U.S. PATENT DOCUMENTS

D642,093 S * 7/2011 Kubo et al. D12/91
D646,205 S * 10/2011 Bittner et al. D12/92

D647,822 S * 11/2011 Murakawa et al. D12/92
D647,823 S * 11/2011 Okumoto et al. D12/92
D655,648 S * 3/2012 Imaiida et al. D12/91
D657,716 S * 4/2012 Cartabiano et al. D12/91

* cited by examiner

Primary Examiner — Melody N Brown

(74) *Attorney, Agent, or Firm* — Westerman, Hattori,
Daniels & Adrian, LLP

(57) **CLAIM**

The ornamental design for an automobile, toy replica and/or
other replicas, as shown and described.

DESCRIPTION

FIG. 1 is a front and left side perspective view of an automo-
bile, toy replica and/or other replicas showing our new
design;

FIG. 2 is a rear and left side perspective view thereof;

FIG. 3 is a left side elevation view thereof, the right side view
being a mirror image thereof;

FIG. 4 is a top plan view thereof;

FIG. 5 is a front elevation view thereof; and,

FIG. 6 is a rear elevation view thereof.

The vehicle portions shown in broken lines is for the purpose
of showing environmental structure only and forms no part of
the claimed design.

1 Claim, 6 Drawing Sheets

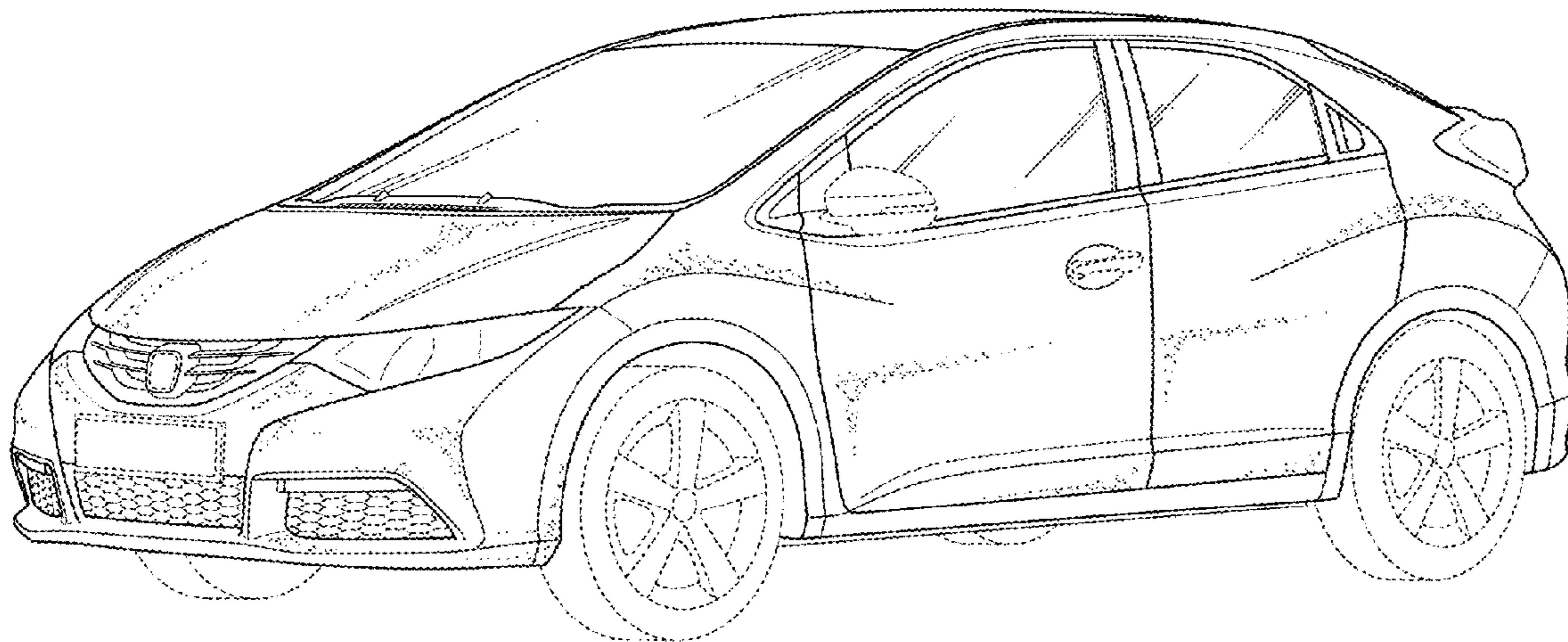


FIG. 1

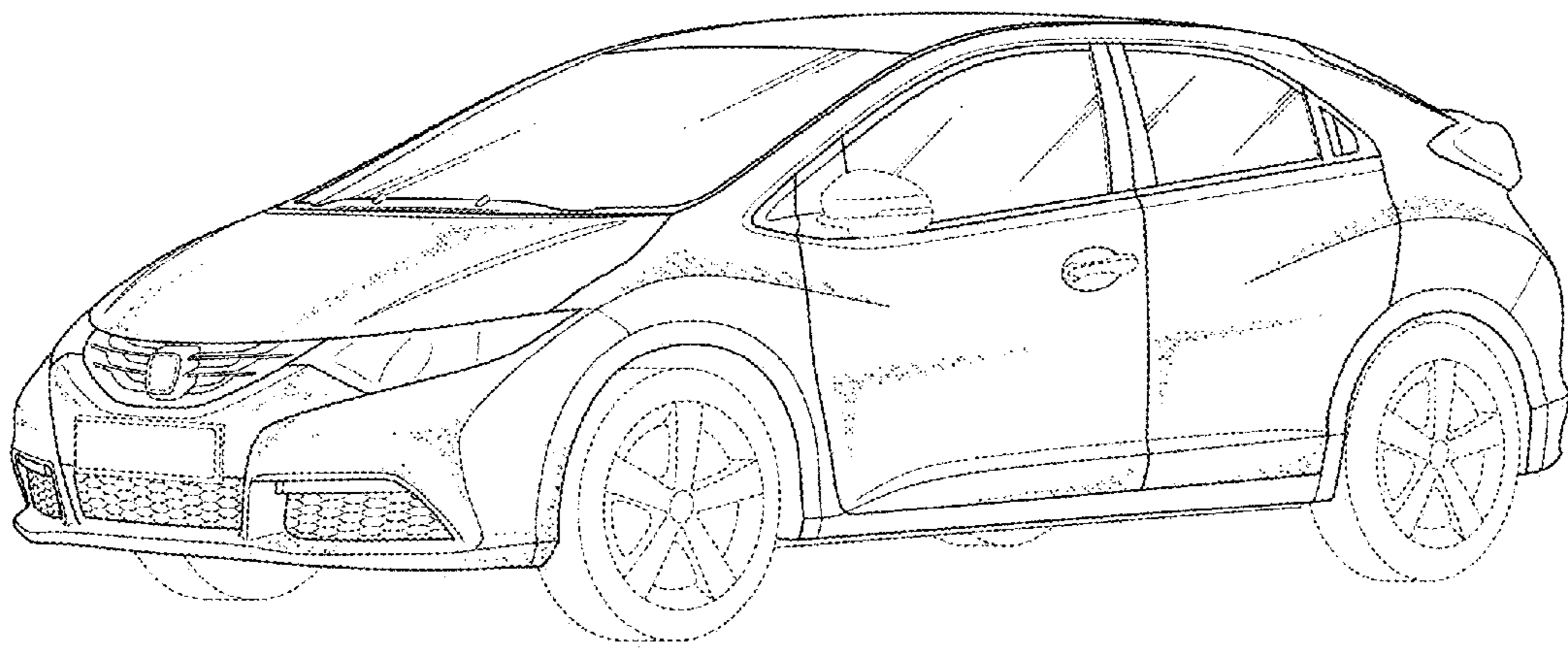


FIG. 2

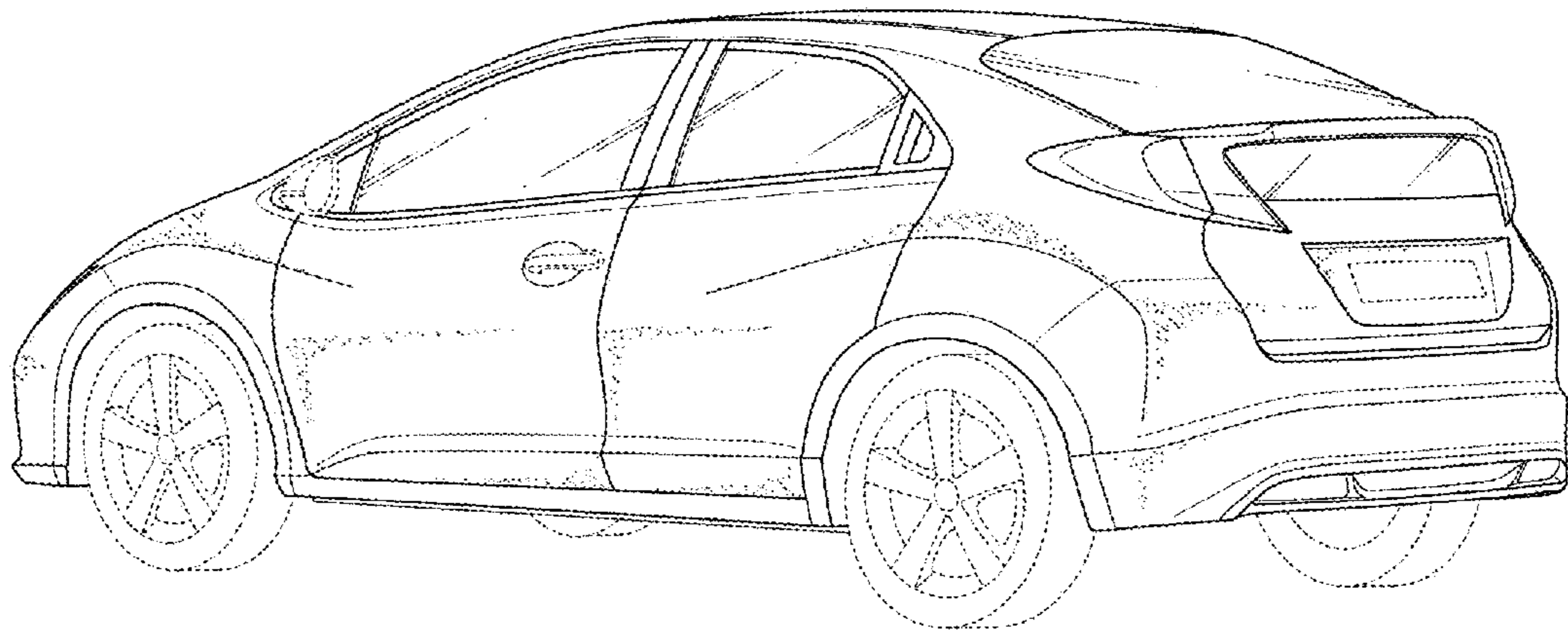


FIG. 3

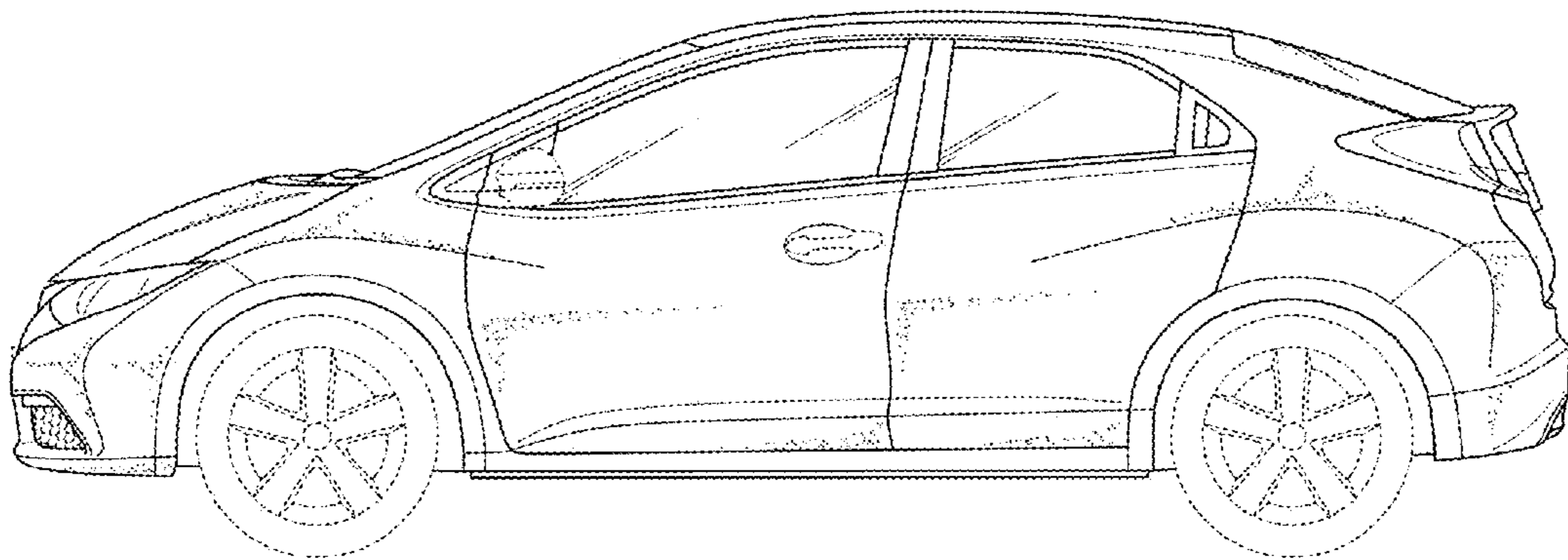


FIG. 4

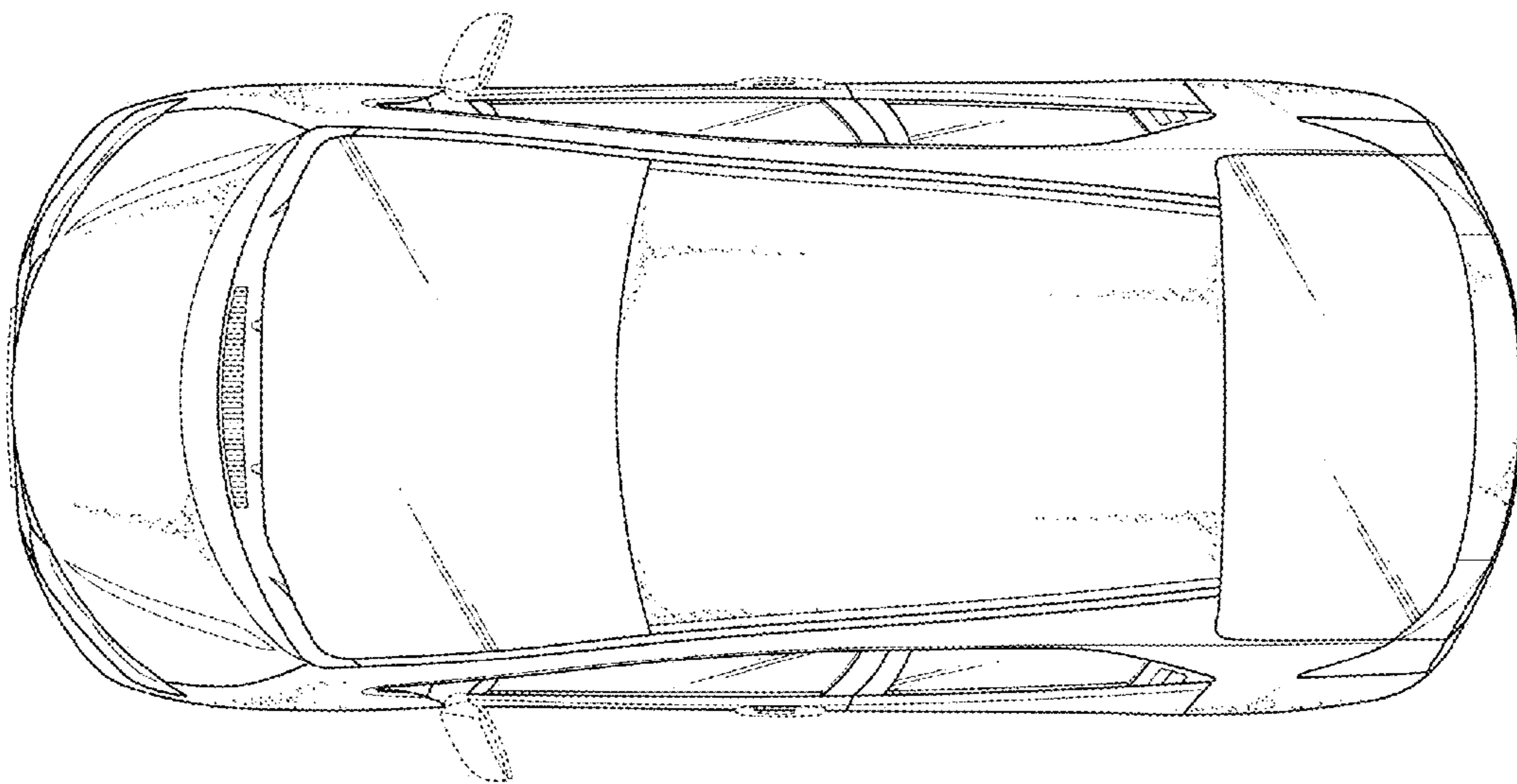


FIG. 5

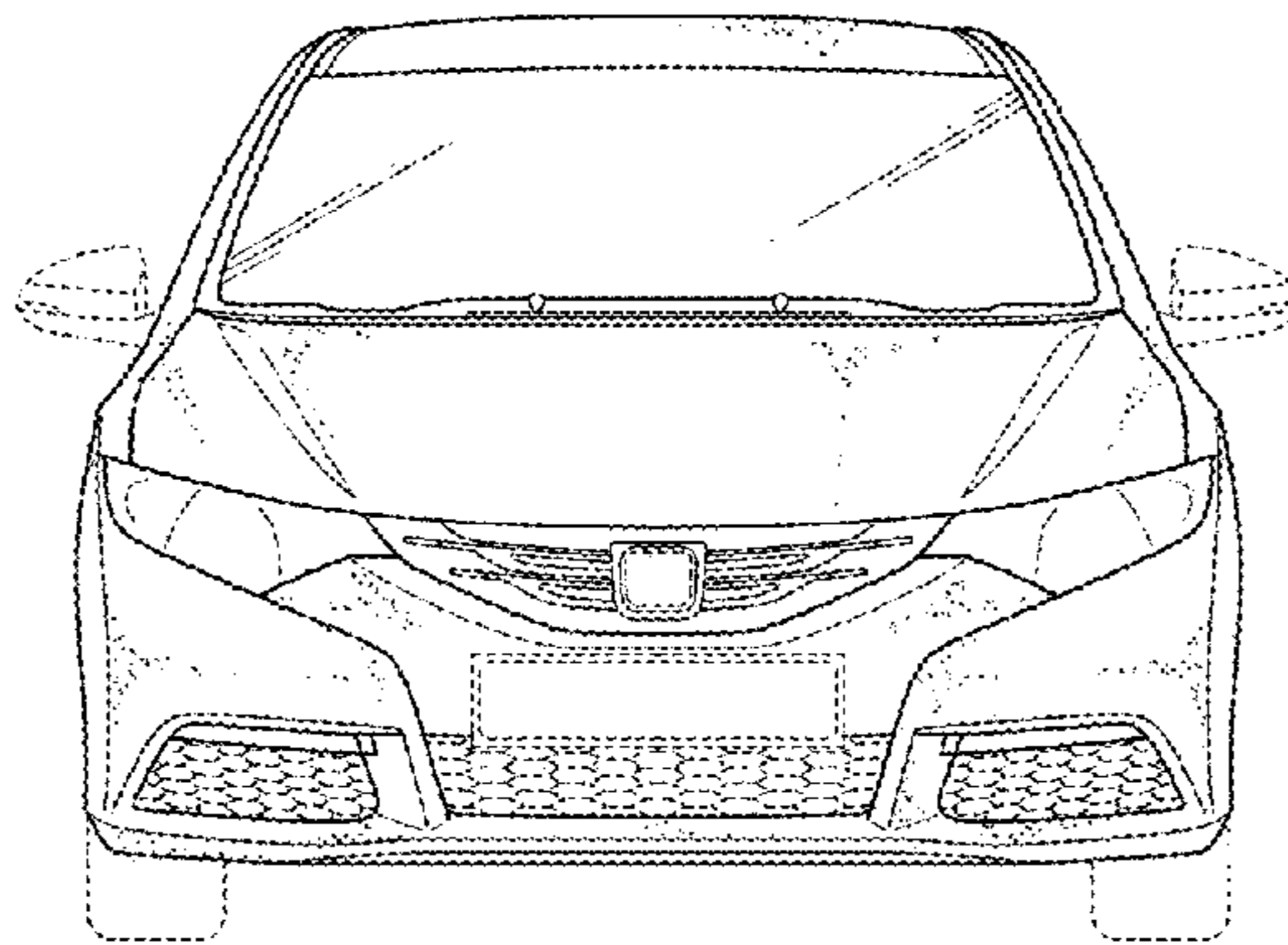


FIG. 6

