



US00D670196S

(12) **United States Design Patent**
Dunn

(10) **Patent No.:** **US D670,196 S**
(45) **Date of Patent:** **** Nov. 6, 2012**

(54) **TRIANGLE DISPLAY HOLDER FOR A CORD**

2,616,196 A 11/1952 Sandahl
(Continued)

(76) Inventor: **Scott Eben Dunn**, Atlanta, GA (US)

FOREIGN PATENT DOCUMENTS

(**) Term: **14 Years**

WO WO-2010132567 A1 11/2010

(21) Appl. No.: **29/411,316**

OTHER PUBLICATIONS

(22) Filed: **Jan. 19, 2012**

Specification, Claims, and Drawings entered by the U.S. Patent and Trademark Office on Feb. 4, 2011 for U.S. Appl. No. 61/439,606, filed Feb. 4, 2011 (First Named Inventor—Dunn) (21 pages).

(51) **LOC (9) Cl.** **11-02**

(Continued)

(52) **U.S. Cl.** **D11/184**

(58) **Field of Classification Search** D11/157,
D11/164, 184; D8/105, 107, 333, 349, 354,
D8/356, 358, 367, 373, 382, 383, 394–396;
D23/261; D24/128; D26/38; 24/197, 561;
174/153 G; 242/400.1, 405.1, 405.2, 600,
242/916; 248/65, 74.1–74.4, 214, 215, 229.26,
248/201, 302, 204, 316.7, 316.8; 439/501;
D34/38; 108/57.52

Primary Examiner — T. Chase Nelson
Assistant Examiner — Michelle E Wilson
(74) *Attorney, Agent, or Firm* — Ballard Spahr LLP

(57) **CLAIM**

The ornamental design for a triangle display holder for a cord, as shown and described.

See application file for complete search history.

DESCRIPTION

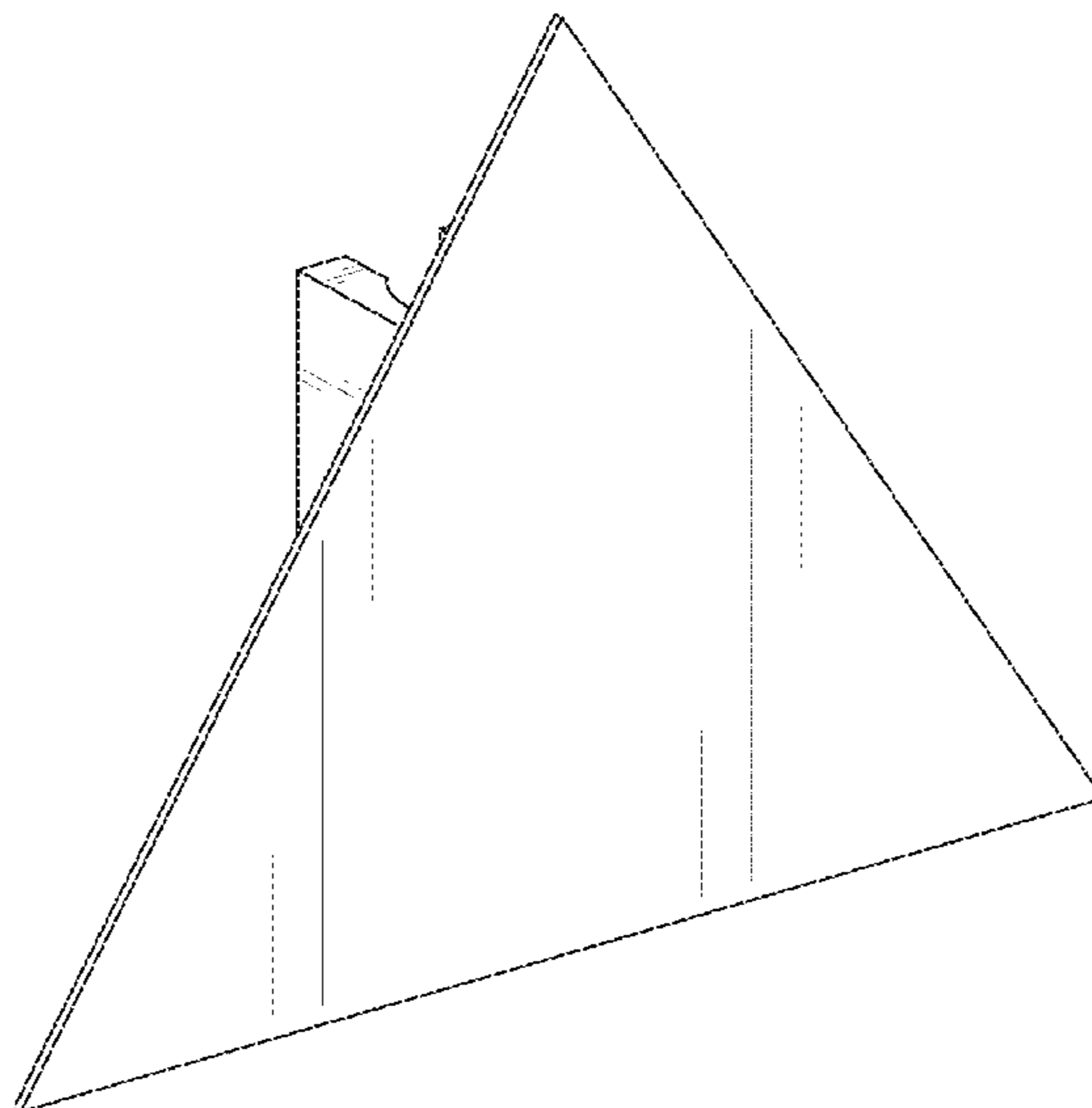
(56) **References Cited**

U.S. PATENT DOCUMENTS

168,063	A *	9/1875	Taylor	220/62
807,747	A	12/1905	Kling		
822,667	A *	6/1906	Huxley	15/223
1,195,276	A	8/1916	Seaman		
1,337,722	A	4/1920	Porter		
1,388,219	A	8/1921	Thompson		
D67,289	S	5/1925	Ladewich		
1,593,078	A	7/1926	Jacoss		
1,832,318	A	11/1931	Myers		
2,083,431	A	6/1937	Cole		
D133,983	S	10/1942	Anderson		
D137,768	S	4/1944	Shirley		
2,355,154	A	8/1944	Goudreau		
D156,622	S	12/1949	Harmon		
D167,185	S	7/1952	Wendt		
2,611,615	A	9/1952	Watson		

FIG. 1 is a perspective view of a triangle display holder for a cord of the present invention;
FIG. 2 is a front elevational view of the triangle display holder for a cord of FIG. 1;
FIG. 3 is a rear elevational view of the triangle display holder for a cord of FIG. 1;
FIG. 4 is a left side elevational view of the triangle display holder for a cord of FIG. 1;
FIG. 5 is a right side elevational view of the triangle display holder for a cord of FIG. 1;
FIG. 6 is a top elevational view of the triangle display holder for a cord of FIG. 1;
FIG. 7 is a bottom elevational view of the triangle display holder for a cord of FIG. 1; and,
FIG. 8 is a rear perspective view of the triangle display holder for a cord of FIG. 1.

1 Claim, 6 Drawing Sheets



US D670,196 S

Page 2

U.S. PATENT DOCUMENTS							
2,601,088	A	6/1953	Burgess	5,869,784	A	2/1999	Shinchi
D170,594	S	* 10/1953	Leonard et al. D24/128	D407,453	S	3/1999	Rashman
2,786,983	A	3/1957	Hill	5,887,368	A	3/1999	Rupp
3,203,700	A	8/1965	Kheainne	D412,136	S	7/1999	Namdar et al.
3,228,640	A	1/1966	Wolsh	5,922,993	A	7/1999	Ide et al.
3,322,381	A	5/1967	Bubb	5,925,202	A	7/1999	Ide et al.
3,519,731	A	7/1970	Grunbaum	5,929,384	A	7/1999	Ide et al.
3,576,304	A	* 4/1971	Gillemot et al. 248/74.2	5,933,995	A	8/1999	Gorbach
3,696,920	A	* 10/1972	Lahay 206/370	5,934,509	A	8/1999	Niss
3,739,420	A	* 6/1973	Kafkis 15/211	D413,544	S	9/1999	Steinberg
3,766,854	A	10/1973	Scarlet	5,971,436	A	10/1999	Cox
3,772,809	A	11/1973	Schneller	D416,103	S	* 11/1999	Hashmi D26/120
3,788,269	A	1/1974	Scarlet	5,979,028	A	11/1999	Hicks et al.
D235,023	S	4/1975	Swayze	D421,773	S	3/2000	Yashar
4,004,362	A	1/1977	Barbieri	6,087,589	A	7/2000	Ide
4,011,673	A	3/1977	Levine	6,120,565	A	9/2000	Dix et al.
4,103,949	A	8/1978	Bouloy	D436,518	S	* 1/2001	Matsubara D8/356
4,131,226	A	12/1978	Breiter et al.	D438,624	S	3/2001	Reina
4,138,116	A	* 2/1979	Siders, Jr. 273/157 R	D438,788	S	3/2001	Rigel
4,177,750	A	12/1979	Scarlet	6,226,865	B1	5/2001	Tanikawa et al.
4,198,202	A	4/1980	Kleber	D446,676	S	8/2001	Mayes
D256,398	S	8/1980	Mitchell	D446,903	S	8/2001	Pavan
4,261,121	A	4/1981	Coon	6,269,573	B1	8/2001	Najmi
4,294,895	A	10/1981	Atkins	D448,276	S	9/2001	Kelleghan
D264,379	S	* 5/1982	Slinkard D24/128	6,301,756	B1	10/2001	Howard
D266,054	S	9/1982	Goodman	D449,981	S	11/2001	Davis
4,398,444	A	8/1983	Walker	D452,135	S	12/2001	Wyatt et al.
D270,525	S	9/1983	Bayusik	6,332,247	B1	12/2001	Hsieh
D275,174	S	* 8/1984	Rolli D8/356	D454,244	S	* 3/2002	Scheff D99/34
4,464,834	A	8/1984	Simms	D454,971	S	3/2002	Crosby
D280,393	S	9/1985	Lee	D455,145	S	4/2002	Williams
D280,394	S	9/1985	Lee	D456,016	S	4/2002	Denson
4,539,767	A	9/1985	Jaffe	D456,389	S	4/2002	Denson
D285,044	S	* 8/1986	Mockett D8/354	D456,692	S	* 5/2002	Epstein D8/356
D289,138	S	* 4/1987	Nead D8/356	D457,157	S	5/2002	Best
4,656,767	A	4/1987	Tarrant	6,381,840	B2	5/2002	Ide
D289,732	S	* 5/1987	Jason D8/356	6,392,147	B1	* 5/2002	Hier et al. 174/70 C
D293,766	S	* 1/1988	Lamb D8/356	D459,194	S	6/2002	Johansson et al.
4,738,817	A	4/1988	Wittwer et al.	6,409,131	B1	6/2002	Bentley et al.
D298,355	S	* 11/1988	Young D24/128	D460,350	S	7/2002	Davis
4,821,988	A	4/1989	Jimenez	6,430,782	B1	8/2002	Torres et al.
4,856,214	A	8/1989	Machen	D465,993	S	11/2002	Kelleghan
D305,254	S	12/1989	Bateman et al.	6,490,789	B1	12/2002	Ide
D308,011	S	* 5/1990	Norris D8/356	6,497,063	B1	12/2002	Stephens
D314,529	S	2/1991	Willard	D477,772	S	7/2003	Nezu
D317,171	S	5/1991	Saks	6,598,558	B2	7/2003	Griffin
D321,913	S	11/1991	Wolff	6,634,528	B2	10/2003	Hurtgam
D325,400	S	4/1992	Wolff	D481,649	S	11/2003	Samuels
5,102,129	A	* 4/1992	Roberts 473/414	D482,391	S	11/2003	Hui
5,122,068	A	6/1992	Koss	6,651,362	B2	11/2003	Caveney
5,161,799	A	11/1992	Nandra	6,657,126	B2	12/2003	Ide et al.
5,203,129	A	4/1993	Johnson	6,662,445	B2	12/2003	Tanikawa et al.
5,207,174	A	5/1993	Fabbrini	D485,783	S	1/2004	Youngman
5,209,992	A	5/1993	Feres	D486,926	S	2/2004	Yuen
D336,131	S	* 6/1993	Nordstrom et al. D24/128	D490,692	S	6/2004	Williams
D340,038	S	10/1993	Venne et al.	D491,836	S	6/2004	Haimoff
D356,350	S	3/1995	Berggreen	D492,800	S	7/2004	Yuen
D358,615	S	5/1995	Cline	D494,087	S	8/2004	Lax
D364,201	S	11/1995	Jensen	D494,090	S	8/2004	Lax
D365,781	S	1/1996	Osborn	D494,091	S	8/2004	Lax
5,479,735	A	1/1996	Martin, Jr.	D494,092	S	8/2004	Lax
D369,042	S	4/1996	Kinart	D494,093	S	8/2004	Lax
D369,758	S	5/1996	Remidio	6,844,499	B2	1/2005	Ide et al.
D370,061	S	* 5/1996	Shirley D24/128	D502,122	S	2/2005	Lax
5,536,096	A	7/1996	Nowak	6,858,804	B2	2/2005	Murakami et al.
5,537,042	A	7/1996	Beutler et al.	D505,091	S	5/2005	Youngman
D372,533	S	* 8/1996	Davis D24/128	D505,356	S	5/2005	Ho
5,584,122	A	12/1996	Kato et al.	D507,508	S	7/2005	Brownell
5,657,198	A	8/1997	Flener	6,940,020	B2	9/2005	Ide et al.
5,669,191	A	9/1997	Weaver	D511,709	S	11/2005	Mehta
D388,833	S	1/1998	Wilson	D511,987	S	11/2005	Swarovski
5,712,767	A	1/1998	Koizumi	D511,989	S	11/2005	Pereira De Castro et al.
D390,066	S	* 2/1998	Watkins et al. D7/633	D512,934	S	12/2005	Voorn
D393,345	S	4/1998	Clegg et al.	D514,978	S	2/2006	Lakhi
5,740,622	A	4/1998	Martin	D520,676	S	5/2006	Chen
D396,146	S	7/1998	Blue	D521,409	S	5/2006	De Castro et al.
D401,883	S	12/1998	Madhvani	7,073,282	B2	7/2006	Savagian et al.
5,845,883	A	12/1998	Meyer	7,111,812	B2	9/2006	Shannon et al.
				D529,557	S	10/2006	Greenwald

D534,594 S	1/2007	Revere	
D535,907 S	1/2007	Sevdermish	
D538,351 S	3/2007	Strong et al.	
D542,123 S	5/2007	Symons	
D547,862 S *	7/2007	Dikeman et al.	D24/128
D548,057 S	8/2007	Kelleghan	
D563,157 S	3/2008	Bouveret et al.	
D563,616 S	3/2008	Lynde et al.	
D563,828 S	3/2008	Meijer	
D568,723 S	5/2008	Morgan	
D572,126 S	7/2008	Tomaka	
D572,165 S	7/2008	Lichtenstein	
D578,163 S	10/2008	Chou	
D578,275 S	10/2008	Shantz et al.	
D579,991 S *	11/2008	Arnstein	D21/694
D585,196 S	1/2009	Bundrick	
D587,162 S	2/2009	Baker	
D587,163 S	2/2009	Baker	
D587,164 S	2/2009	Baker	
D587,623 S	3/2009	Baker	
D587,624 S	3/2009	Baker	
D589,328 S	3/2009	Edge	
7,509,765 B2	3/2009	Flores	
D590,676 S	4/2009	Pickard	
D590,885 S	4/2009	Love	
D592,303 S *	5/2009	Chesnin	D24/128
D592,540 S	5/2009	Rydlewicz	
D599,246 S	9/2009	Rudes	
D609,951 S	2/2010	Walker	
D610,482 S	2/2010	Shaw	
7,687,999 B2	3/2010	Essick et al.	
D618,985 S	7/2010	Sjoqvist	
D626,880 S	11/2010	Castaline et al.	
D629,286 S	12/2010	Laskowski	
D629,671 S	12/2010	Ohori et al.	
D630,317 S *	1/2011	Wung	D24/128
D635,485 S	4/2011	Schanzer	
D639,408 S	6/2011	Newman	
D639,700 S	6/2011	Adams et al.	
D644,150 S	8/2011	Edick	
D644,501 S	9/2011	Chen	
D645,345 S	9/2011	Liebowitz et al.	
D646,730 S	10/2011	Burch	
D652,460 S	1/2012	Kulzer	
D652,766 S	1/2012	Dunn	
D652,767 S	1/2012	Dunn	
D653,163 S	1/2012	Dunn	
D653,164 S	1/2012	Dunn	
D653,165 S	1/2012	Dunn	
D653,166 S	1/2012	Dunn	
D653,167 S	1/2012	Dunn	
D653,168 S	1/2012	Dunn	
D655,887 S	3/2012	Zbuchalski	
D656,067 S	3/2012	Dunn	
D657,460 S *	4/2012	Uhlenkamp et al.	D24/128
D657,869 S *	4/2012	Mammen	D24/128
D659,323 S *	5/2012	Davis	D32/43
2008/0285785 A1	11/2008	Zieg et al.	
2012/0031981 A1	2/2012	Westlake et al.	

OTHER PUBLICATIONS

Specification, Claims, and Drawings entered by the U.S. Patent and Trademark Office on Feb. 6, 2012 for U.S. Appl. No. 13/367,352, filed Feb. 6, 2012 (First Named Inventor—Dunn) (28 pages).

Specification, Claims, and Drawings entered by the U.S. Patent and Trademark Office on Jun. 18, 2011 for U.S. Appl. No. 29/394,588, filed Jun. 18, 2011 (First Named Inventor—Dunn) (34 pages).

Requirement for Restriction/Election entered by the U.S. Patent and Trademark Office on Sep. 21, 2011 for U.S. Appl. No. 29/394,588, filed Jun. 18, 2011 (First Named Inventor—Dunn) (5 pages).

Response to Election / Restriction Filed entered by the U.S. Patent and Trademark Office on Nov. 21, 2011 for U.S. Appl. No. 29/394,588, filed Jun. 18, 2011 (First Named Inventor—Dunn) (2 pages).

Notice of Allowance and Fees Due entered by the U.S. Patent and Trademark Office on Jan. 6, 2012 for U.S. Appl. No. 29/394,588, filed Jun. 18, 2011 (First Named Inventor—Dunn) (8 pages).

Specification, Claims, and Drawings entered by the U.S. Patent and Trademark Office on Jun. 18, 2011 for U.S. Appl. No. 29/394,589, filed Jun. 18, 2011 (First Named Inventor—Dunn) (12 pages).

Notice of Allowance and Fees Due entered by the U.S. Patent and Trademark Office on Sep. 20, 2011 for U.S. Appl. No. 29/394,589, filed Jun. 18, 2011 (First Named Inventor—Dunn) (7 pages).

Supplemental Notice of Allowability entered by the U.S. Patent and Trademark Office on Nov. 14, 2011 for U.S. Appl. No. 29/394,589, filed Jun. 18, 2011 (First Named Inventor—Dunn) (4 pages).

Issue Notification entered by the U.S. Patent and Trademark Office on Jan. 11, 2012 for U.S. Appl. No. 29/394,589, filed Jun. 18, 2011 (First Named Inventor—Dunn) (1 page).

Specification, Claims, and Drawings entered by the U.S. Patent and Trademark Office on Jun. 18, 2011 for U.S. Appl. No. 29/394,590, filed Jun. 18, 2011 (First Named Inventor—Dunn) (14 pages).

Notice of Allowance and Fees Due entered by the U.S. Patent and Trademark Office on Sep. 23, 2011 for U.S. Appl. No. 29/394,590, filed Jun. 18, 2011 (First Named Inventor—Dunn) (7 pages).

Supplemental Notice of Allowability entered by the U.S. Patent and Trademark Office on Oct. 25, 2011 for U.S. Appl. No. 29/394,590, filed Jun. 18, 2011 (First Named Inventor—Dunn) (2 pages).

Issue Notification entered by the U.S. Patent and Trademark Office on Jan. 4, 2012 for U.S. Appl. No. 29/394,590, filed Jun. 18, 2011 (First Named Inventor—Dunn) (1 page).

Specification, Claims, and Drawings entered by the U.S. Patent and Trademark Office on Jun. 18, 2011 for U.S. Appl. No. 29/394,591, filed Jun. 18, 2011 (First Named Inventor—Dunn) (10 pages).

Notice of Allowance and Fees Due entered by the U.S. Patent and Trademark Office on Sep. 19, 2011 for U.S. Appl. No. 29/394,591, filed Jun. 18, 2011 (First Named Inventor—Dunn) (7 pages).

Supplemental Notice of Allowability entered by the U.S. Patent and Trademark Office on Oct. 12, 2011 for U.S. Appl. No. 29/394,591, filed Jun. 18, 2011 (First Named Inventor—Dunn) (2 pages).

Issue Notification entered by the U.S. Patent and Trademark Office on Jan. 11, 2012 for U.S. Appl. No. 29/394,591, filed Jun. 18, 2011 (First Named Inventor—Dunn) (1 page).

Specification, Claims, and Drawings entered by the U.S. Patent and Trademark Office on Jun. 18, 2011 for U.S. Appl. No. 29/394,592, filed Jun. 18, 2011 (First Named Inventor—Dunn) (18 pages).

Requirement for Restriction/Election entered by the U.S. Patent and Trademark Office on Sep. 22, 2011 for U.S. Appl. No. 29/394,592, filed Jun. 18, 2011 (First Named Inventor—Dunn) (5 pages).

Response to Restriction Requirement entered by the U.S. Patent and Trademark Office on Oct. 27, 2011 for U.S. Appl. No. 29/394,592, filed Jun. 18, 2011 (First Named Inventor—Dunn) (2 pages).

Notice of Allowance and Fees Due entered by the U.S. Patent and Trademark Office on Dec. 20, 2011 for U.S. Appl. No. 29/394,592, filed Jun. 18, 2011 (First Named Inventor—Dunn) (9 pages).

Specification, Claims, and Drawings entered by the U.S. Patent and Trademark Office on Jun. 18, 2011 for U.S. Appl. No. 29/394,593, filed Jun. 18, 2011 (First Named Inventor—Dunn) (12 pages).

Notice of Allowance and Fees Due entered by the U.S. Patent and Trademark Office on Sep. 20, 2011 for U.S. Appl. No. 29/394,593, filed Jun. 18, 2011 (First Named Inventor—Dunn) (7 pages).

Supplemental Notice of Allowability entered by the U.S. Patent and Trademark Office on Oct. 12, 2011 for U.S. Appl. No. 29/394,593, filed Jun. 18, 2011 (First Named Inventor—Dunn) (2 pages).

Issue Notification entered by the U.S. Patent and Trademark Office on Jan. 11, 2012 for U.S. Appl. No. 29/394,593, filed Jun. 18, 2011 (First Named Inventor—Dunn) (1 page).

Specification, Claims, and Drawings entered by the U.S. Patent and Trademark Office on Jun. 18, 2011 for U.S. Appl. No. 29/394,594, filed Jun. 18, 2011 (First Named Inventor—Dunn) (7 pages).

Notice of Allowance and Fees Due entered by the U.S. Patent and Trademark Office on Sep. 23, 2011 for U.S. Appl. No. 29/394,594, filed Jun. 18, 2011 (First Named Inventor—Dunn) (7 pages).

Supplemental Notice of Allowability entered by the U.S. Patent and Trademark Office on Nov. 29, 2011 for U.S. Appl. No. 29/394,594, filed Jun. 18, 2011 (First Named Inventor—Dunn) (2 pages).

Issue Notification entered by the U.S. Patent and Trademark Office on Jan. 11, 2012 for U.S. Appl. No. 29/394,594, filed Jun. 18, 2011 (First Named Inventor—Dunn) (1 page).

Sunlec International, <http://www.sunlec.com.au>, Sunlec International Cable Sleeves, Accessed Nov. 26, 2010.

The Cable Label Co., <http://www.thecablelabelco.co.uk/buy.php>, Buy Cable Bug Labels in Bags, Accessed Nov. 26, 2010.

The Storage Store, <http://www.thestoragestore.com>, Computer Cable Flags, Accessed Nov. 26, 2010.

Non-final Office Action entered by the U.S. Patent and Trademark Office on Mar. 6, 2012 for U.S. Appl. No. 29/411,283, filed Jan. 19, 2012 (First Named Inventor—Dunn) (5 pages).

Non-final Office Action entered by the U.S. Patent and Trademark Office on Mar. 26, 2012 for U.S. Appl. No. 29/411,284, filed Jan. 19, 2012 (First Named Inventor—Dunn) (5 pages).

Notice of Allowance and Fees Due entered by the U.S. Patent and Trademark Office on Mar. 6, 2012 for U.S. Appl. No. 29/411,288, filed Jan. 19, 2012 (First Named Inventor—Dunn) (7 pages).

Notice of Allowance entered by the U.S. Patent and Trademark Office on Apr. 4, 2012 for U.S. Appl. No. 29/411,291, filed Jan. 19, 2012 (First Named Inventor—Dunn) (7 pages).

Notice of Allowance entered by the U.S. Patent and Trademark Office on Apr. 4, 2012 for U.S. Appl. No. 29/411,293, filed Jan. 19, 2012 (First Named Inventor—Dunn) (7 pages).

Notice of Allowance and Fees Due entered by the U.S. Patent and Trademark Office on Mar. 20, 2012 for U.S. Appl. No. 29/411,296, filed Jan. 19, 2012 (First Named Inventor—Dunn) (7 pages).

Notice of Allowance entered by the U.S. Patent and Trademark Office on Apr. 2, 2012 for U.S. Appl. No. 29/411,298, filed Jan. 19, 2012 (First Named Inventor—Dunn) (7 pages).

Notice of Allowance entered by the U.S. Patent and Trademark Office on Apr. 2, 2012 for U.S. Appl. No. 29/411,300, filed Jan. 19, 2012 (First Named Inventor—Dunn) (7 pages).

Office Action entered by the U.S. Patent and Trademark Office on Mar. 30, 2012 for U.S. Appl. No. 29/411,309, filed Jan. 19, 2012 (First Named Inventor—Dunn) (6 pages).

Specification, Claims, and Drawings entered by the U.S. Patent and Trademark Office on Jan. 19, 2012 for U.S. Appl. No. 29/411,277, filed Jan. 19, 2012 (First Named Inventor—Dunn) (7 pages).

Notice of Allowance and Fees Due entered by the U.S. Patent and Trademark Office on Mar. 2, 2012 for U.S. Appl. No. 29/411,277, filed Jan. 19, 2012 (First Named Inventor—Dunn) (7 pages).

Specification, Claims, and Drawings entered by the U.S. Patent and Trademark Office on Jan. 19, 2012 for U.S. Appl. No. 29/411,282, filed Jan. 19, 2012 (First Named Inventor—Dunn) (8 pages).

Notice of Allowance entered by the U.S. Patent and Trademark Office on Apr. 2, 2012 for U.S. Appl. No. 29/411,297, filed Jan. 19, 2012 (First Named Inventor—Dunn) (7 pages).

Notice of Allowance entered by the U.S. Patent and Trademark Office on Apr. 4, 2012 for U.S. Appl. No. 29/411,311, filed Jan. 19, 2012 (First Named Inventor—Dunn) (7 pages).

* cited by examiner

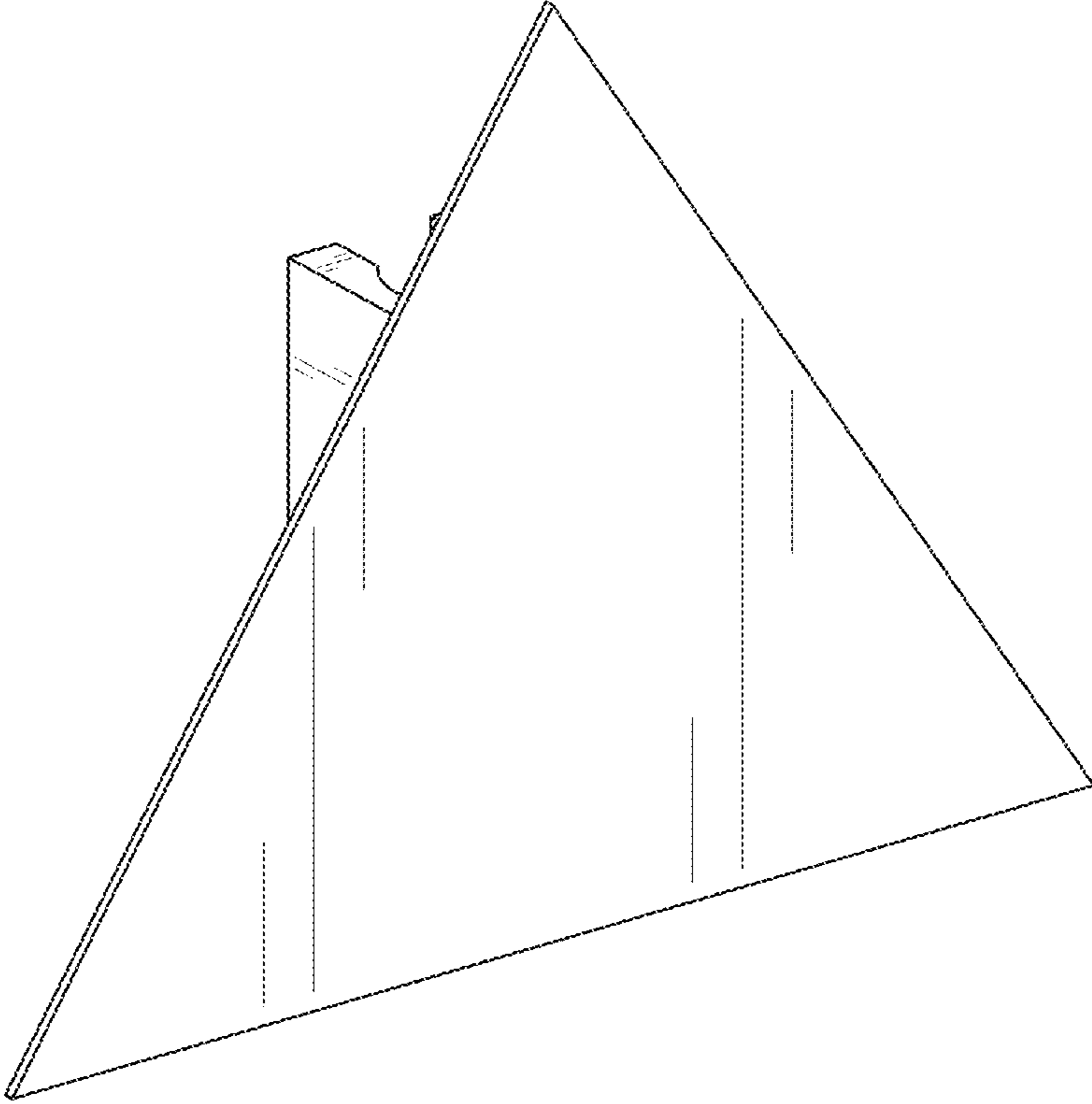


FIG. 1

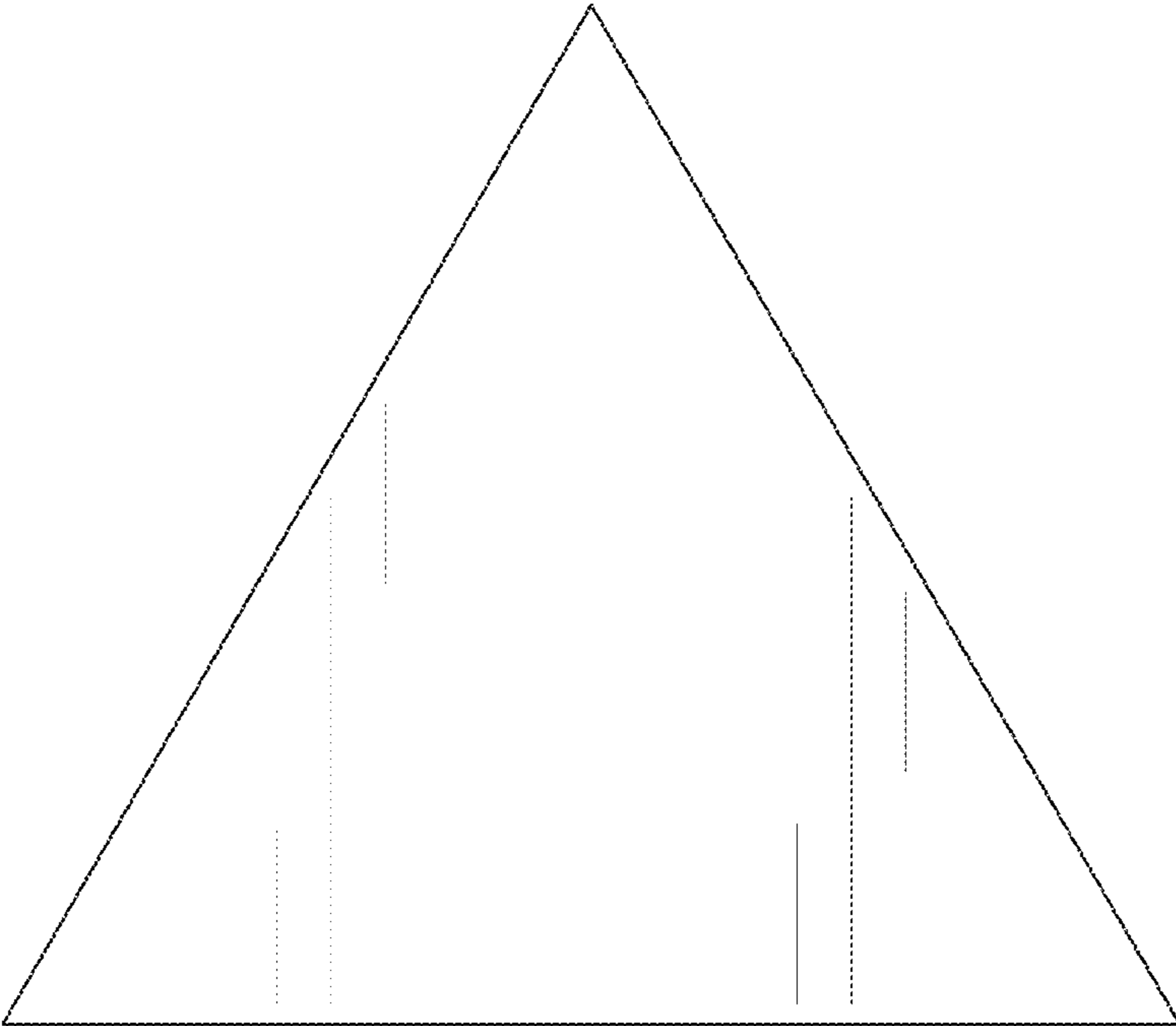


FIG. 2

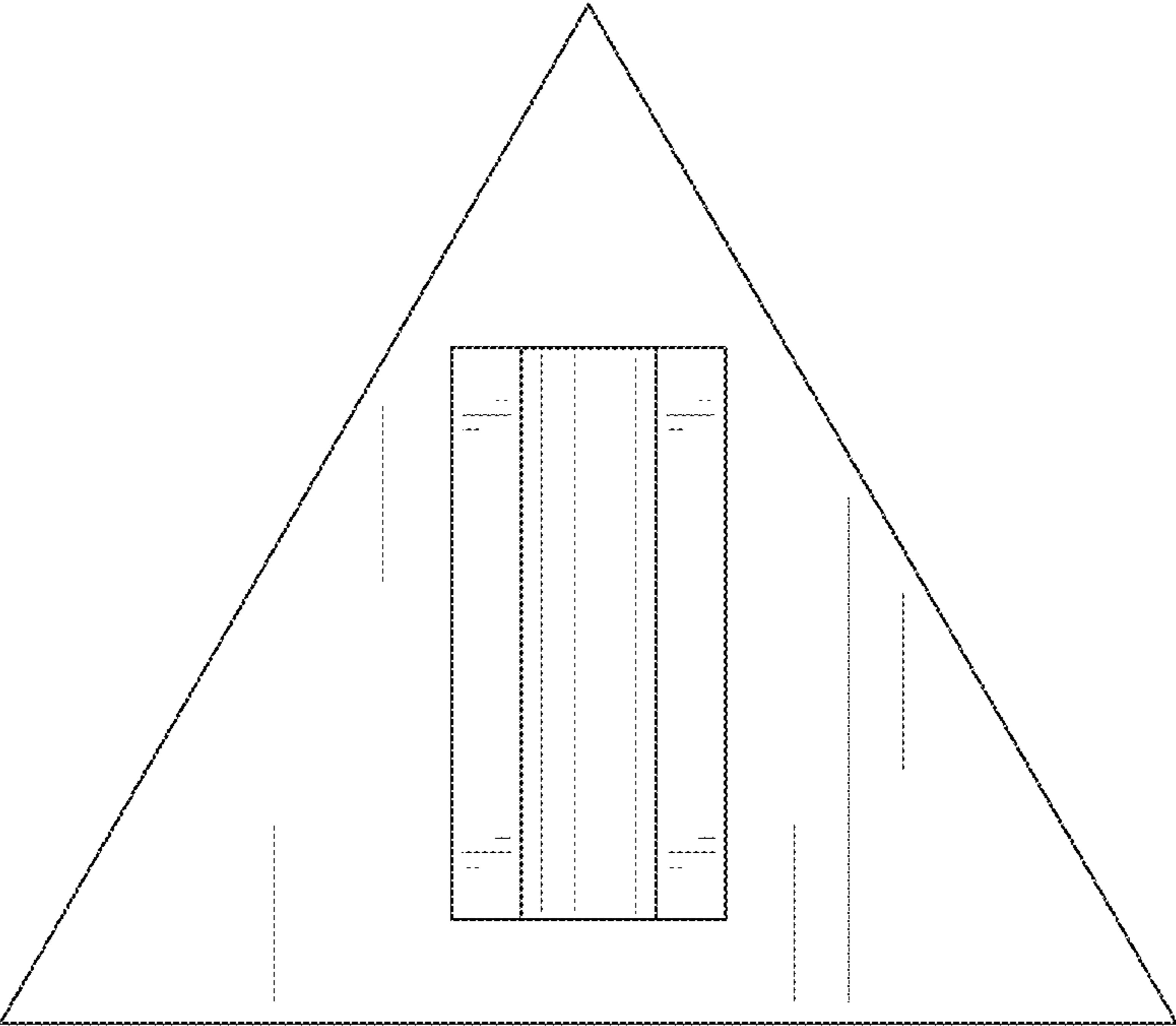


FIG. 3

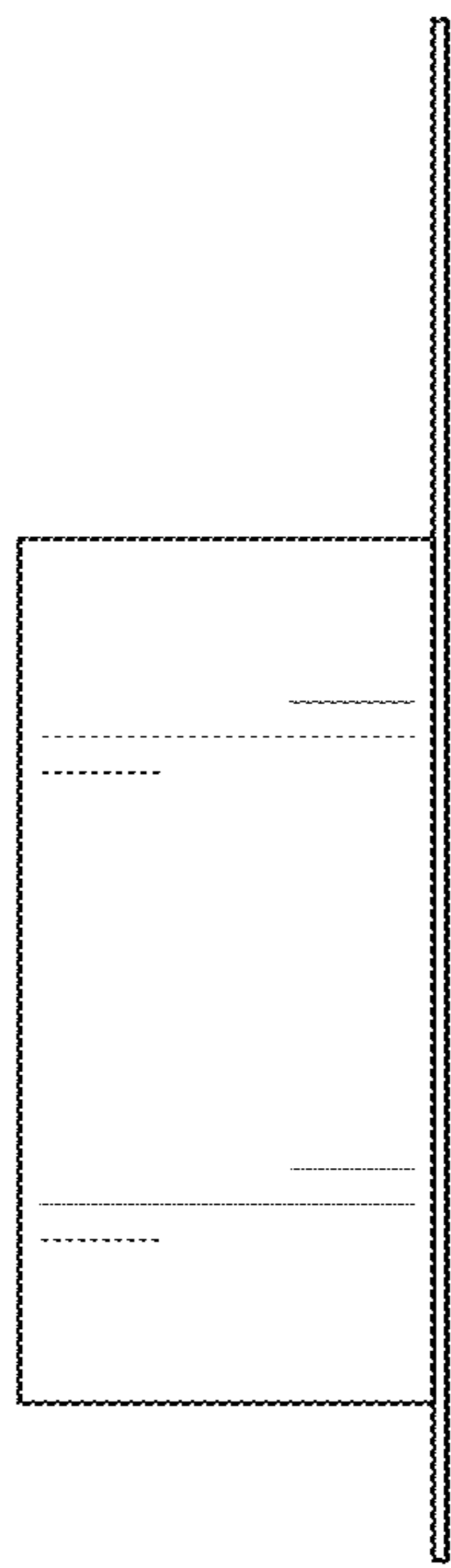


FIG. 4

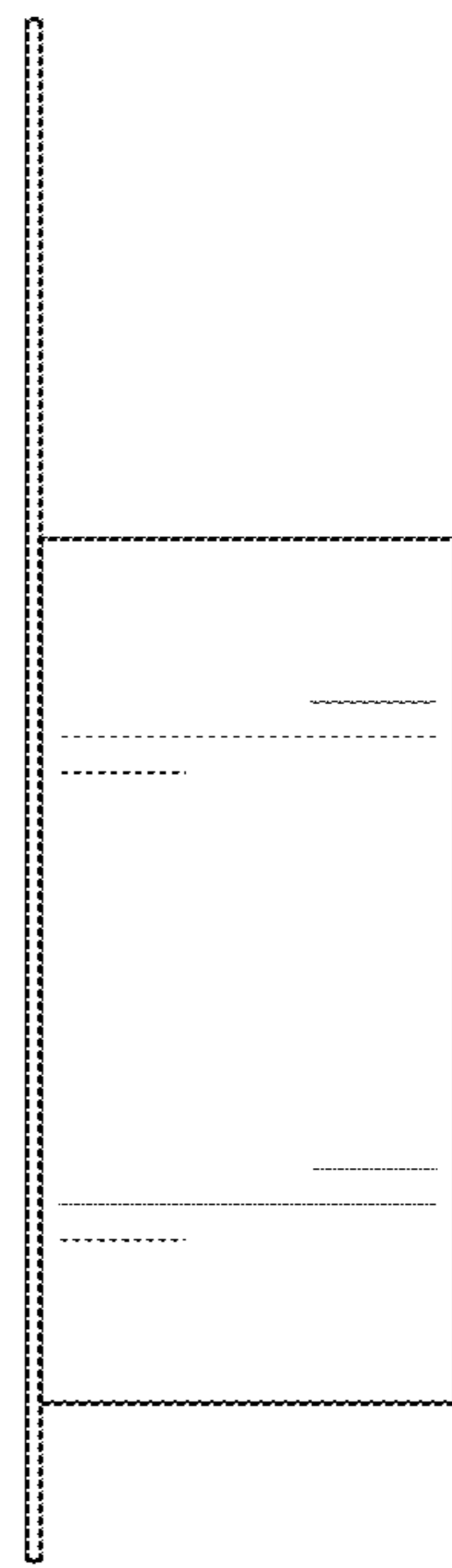


FIG. 5

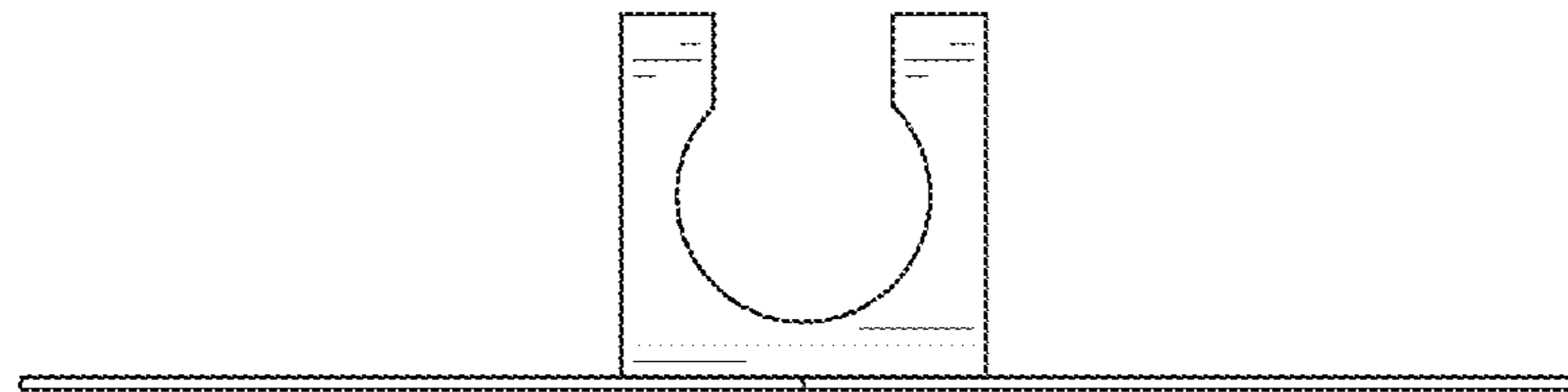


FIG. 6

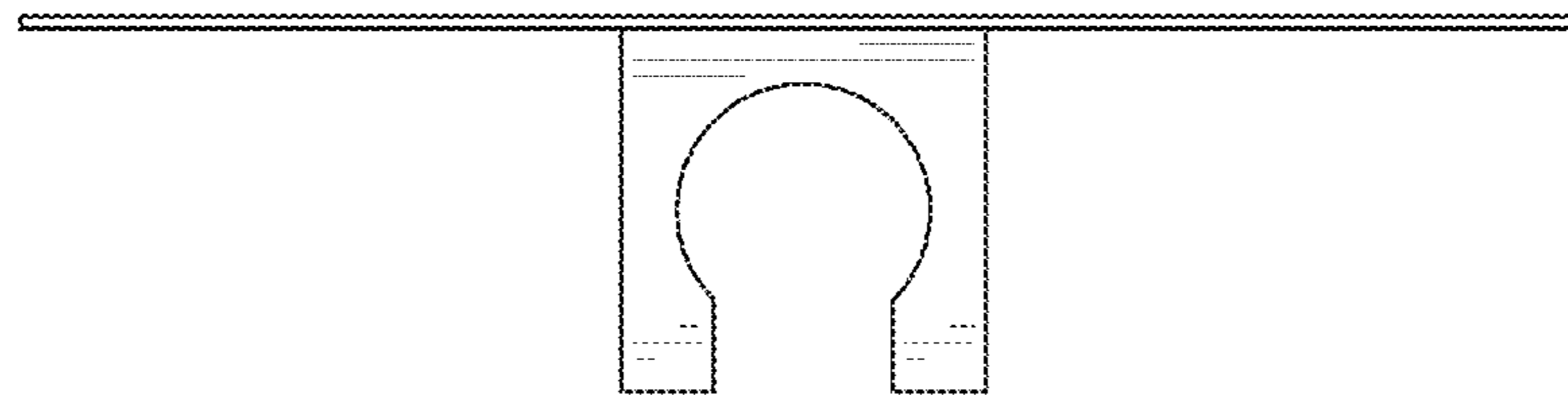


FIG. 7

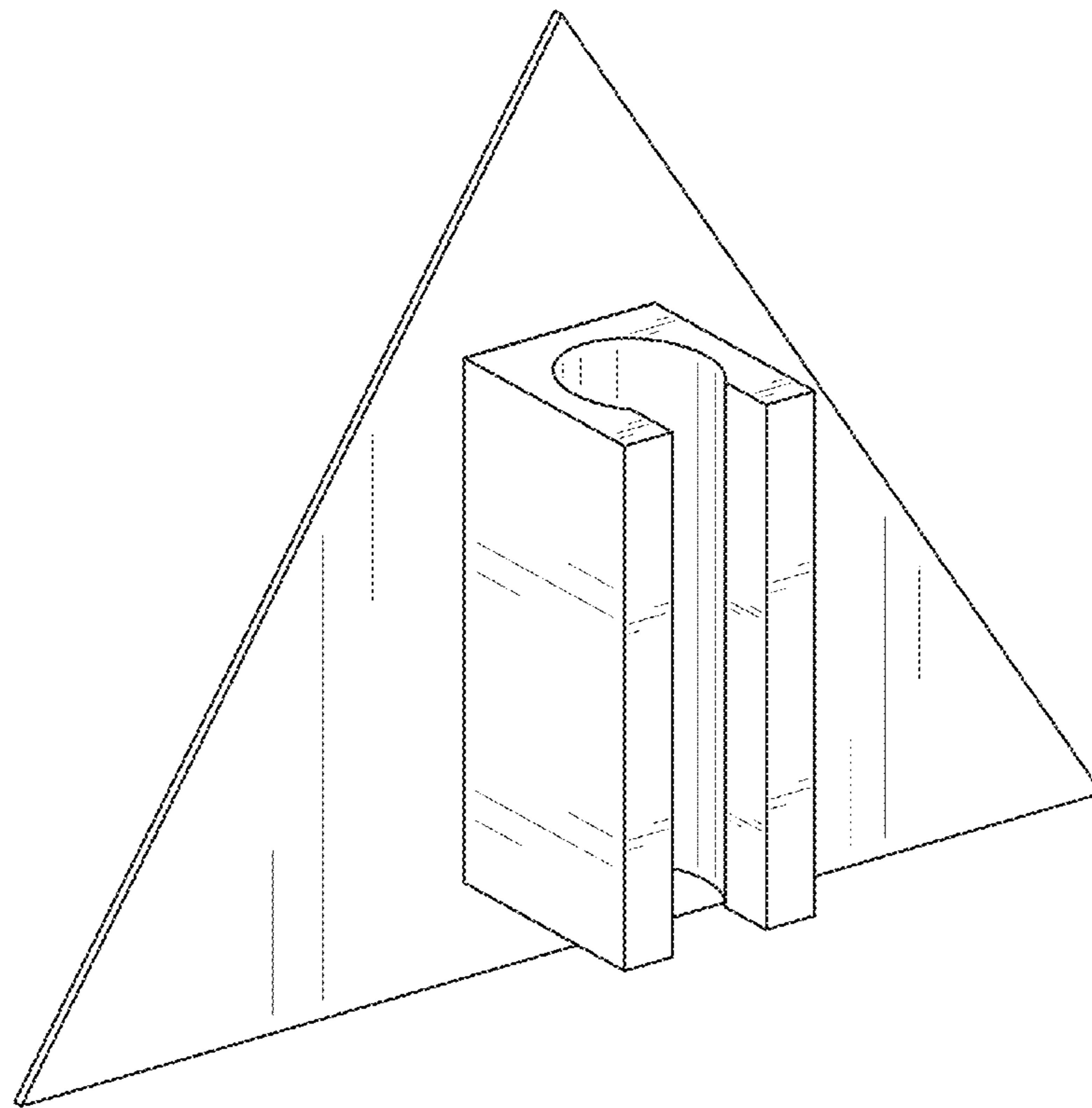


FIG. 8