



US00D670192S

(12) **United States Design Patent**  
**Fissell**

(10) **Patent No.:** **US D670,192 S**  
(45) **Date of Patent:** **\*\* Nov. 6, 2012**

(54) **GLOW STICK SAFETY PIN CONNECTOR**

(76) Inventor: **Jeremy J. Fissell**, San Luis Obispo, CA  
(US)

(\*\*) Term: **14 Years**

(21) Appl. No.: **29/376,042**

(22) Filed: **Sep. 30, 2010**

(51) **LOC (9) Cl.** ..... **11-01**

(52) **U.S. Cl.** ..... **D11/47**

(58) **Field of Classification Search** ..... D11/206,  
D11/207, 208, 200, 47, 48, 75, 86, 40-46;  
63/1.14, 1.16, 1.17, 1.15; 24/3.1, 5, 6, 3.3,  
24/708.1, 341, 616, 625, 635, 705; 59/35.1,  
59/80

See application file for complete search history.

(56) **References Cited**

**U.S. PATENT DOCUMENTS**

883,375	A *	3/1908	Anello	63/20
1,544,303	A *	6/1925	Fellows	D11/206
1,959,802	A *	5/1934	Waller	24/708.1
2,086,767	A *	7/1937	Haas	24/706.1
D117,393	S *	10/1939	De Caracena	D11/75
2,346,870	A *	4/1944	Post	63/1.17
D247,614	S *	3/1978	Kelman	D11/75
4,712,389	A *	12/1987	Innis	63/1.14
D375,600	S *	11/1996	Hirano et al.	D25/61
2010/0146740	A1 *	6/2010	Sturges	24/6

\* cited by examiner

*Primary Examiner* — Cathron Brooks

*Assistant Examiner* — Melanie Pellegrini

(74) *Attorney, Agent, or Firm* — Platinum Patents; Jordan Kuhn

(57) **CLAIM**

The ornamental design for a glow stick safety pin connector, as shown and described.

**DESCRIPTION**

FIG. 1 is a perspective view of the glow stick safety pin connector;

FIG. 2 is a front view of the glow stick safety pin connector thereof;

FIG. 3 is a back view of the glow stick safety pin connector thereof;

FIG. 4 is a top view of the glow stick safety pin connector thereof;

FIG. 5 is a bottom view of the glow stick safety pin connector thereof;

FIG. 6 is a right side view of the glow stick safety pin connector thereof; and,

FIG. 7 is a left side view of the glow stick safety pin connector thereof.

The glow stick safety pin connector has been shown broken away along its length to indicate a non-specified length.

**1 Claim, 5 Drawing Sheets**

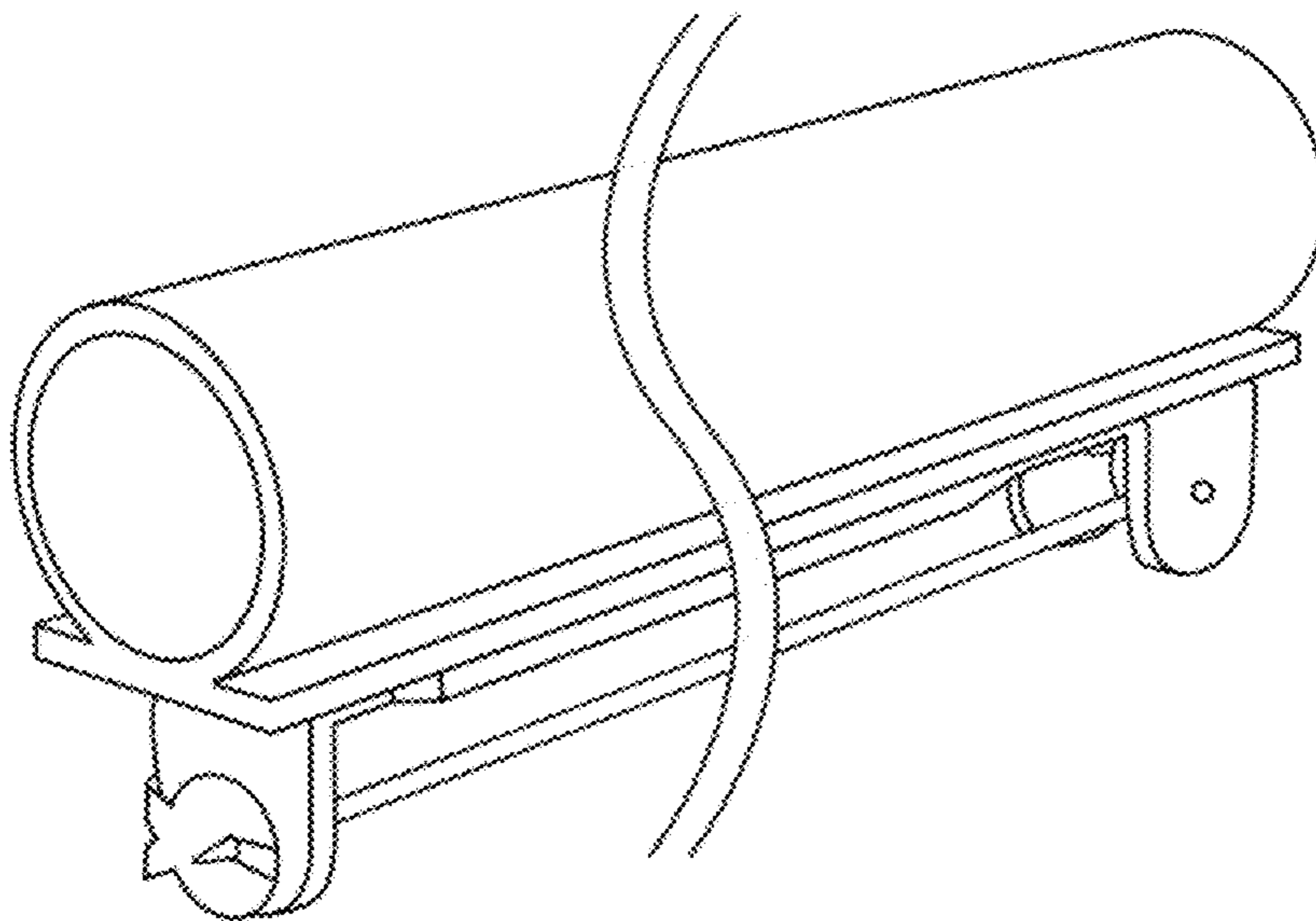
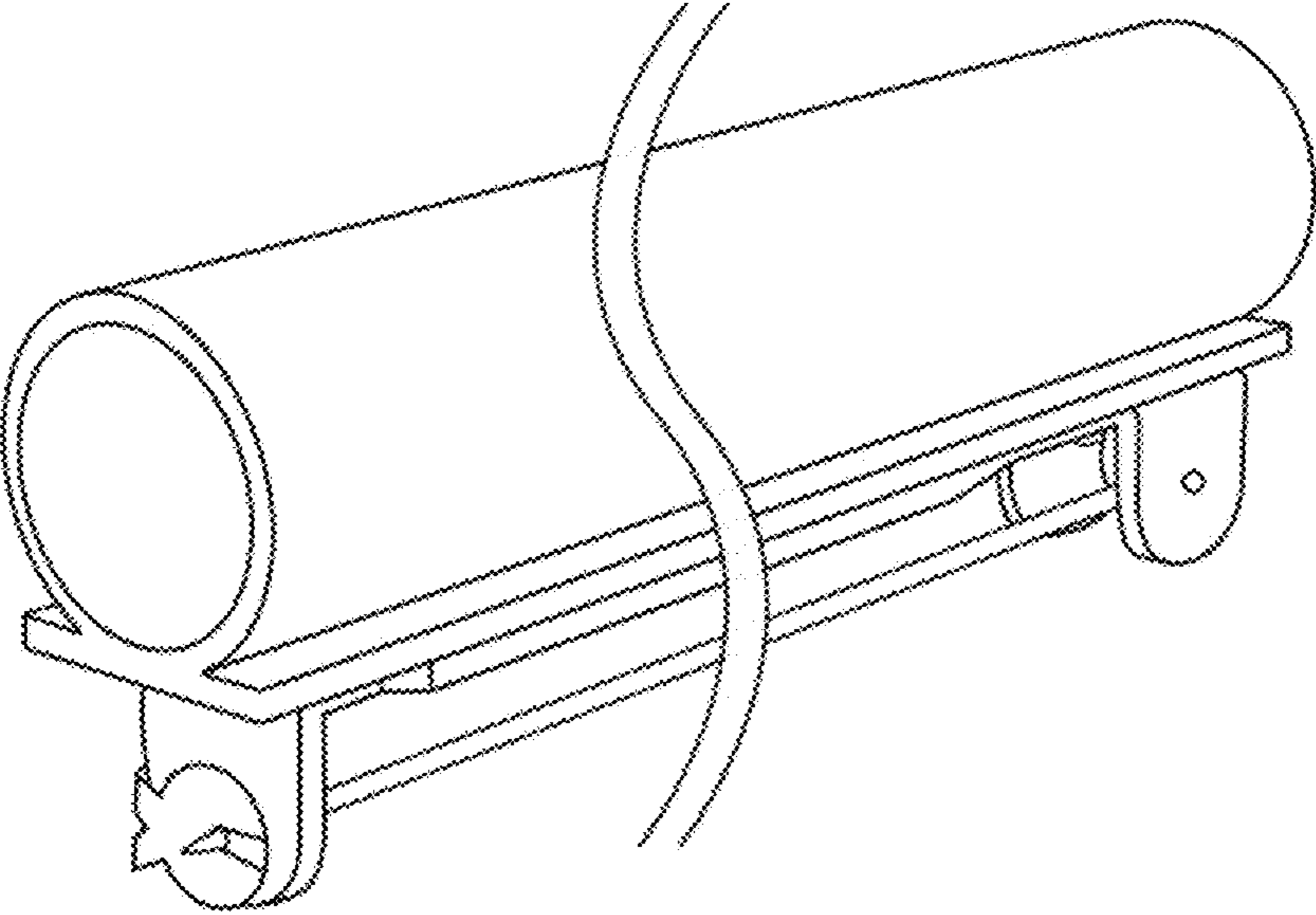
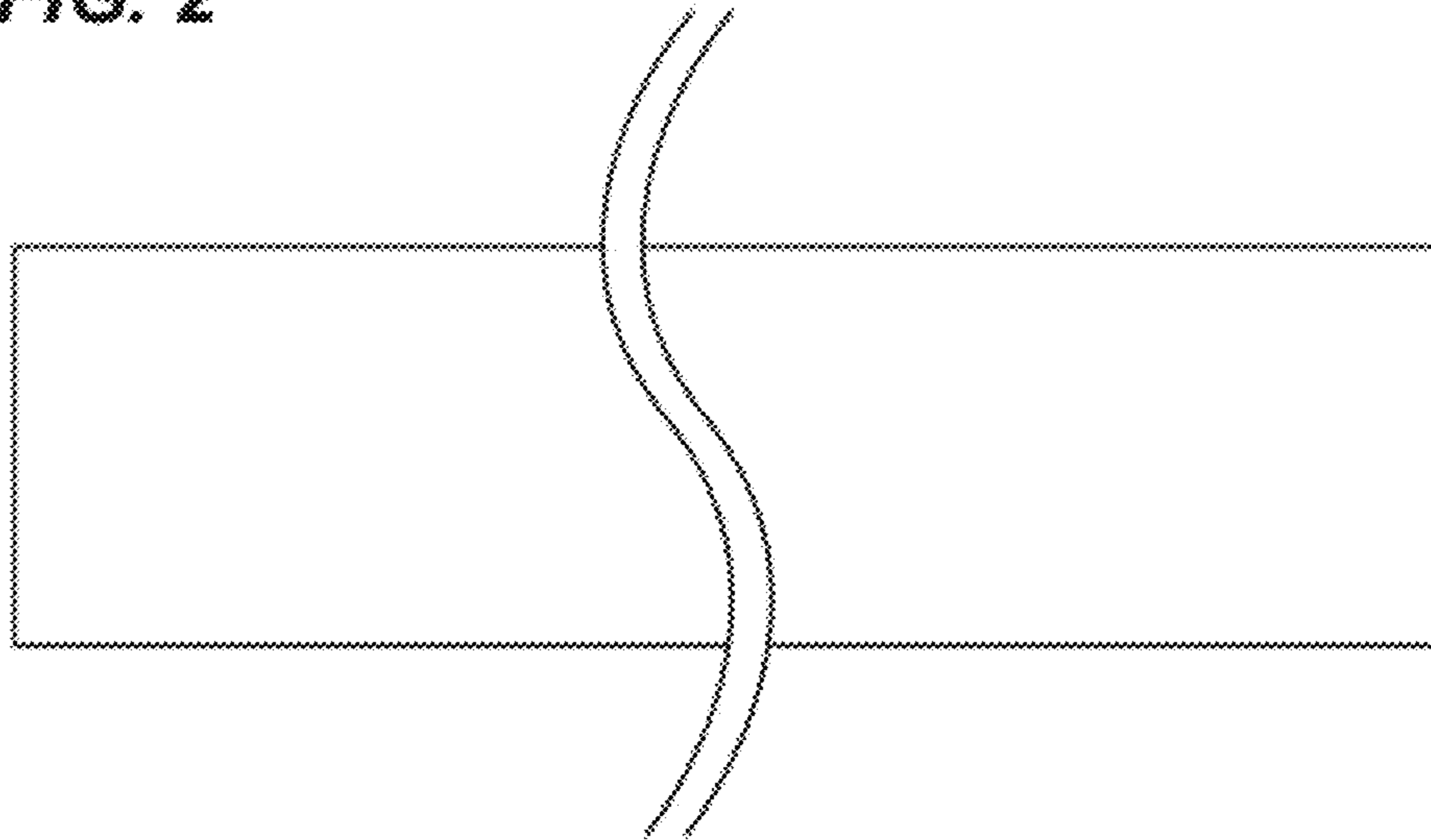


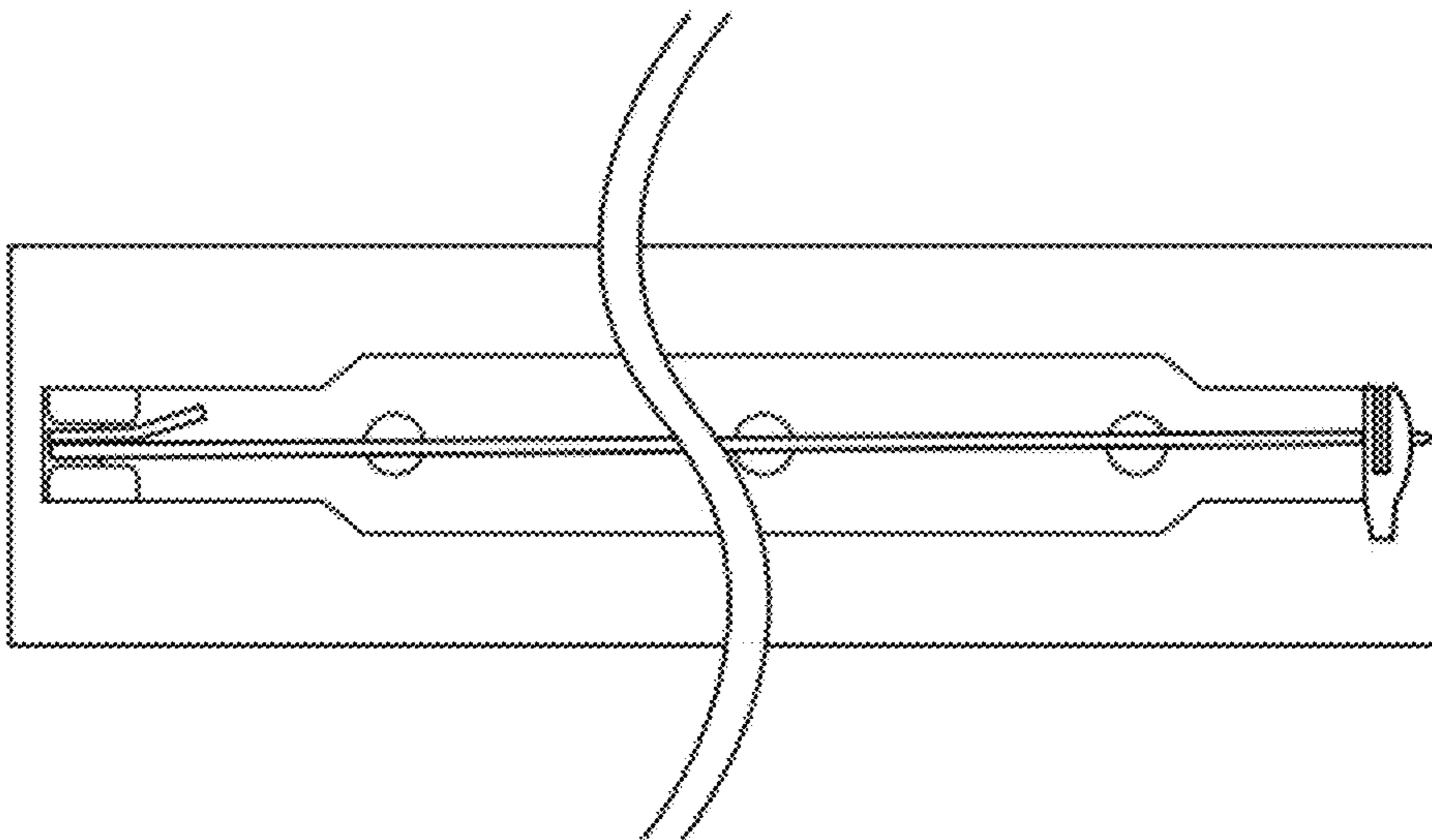
FIG. 1



**FIG. 2**



**FIG. 3**



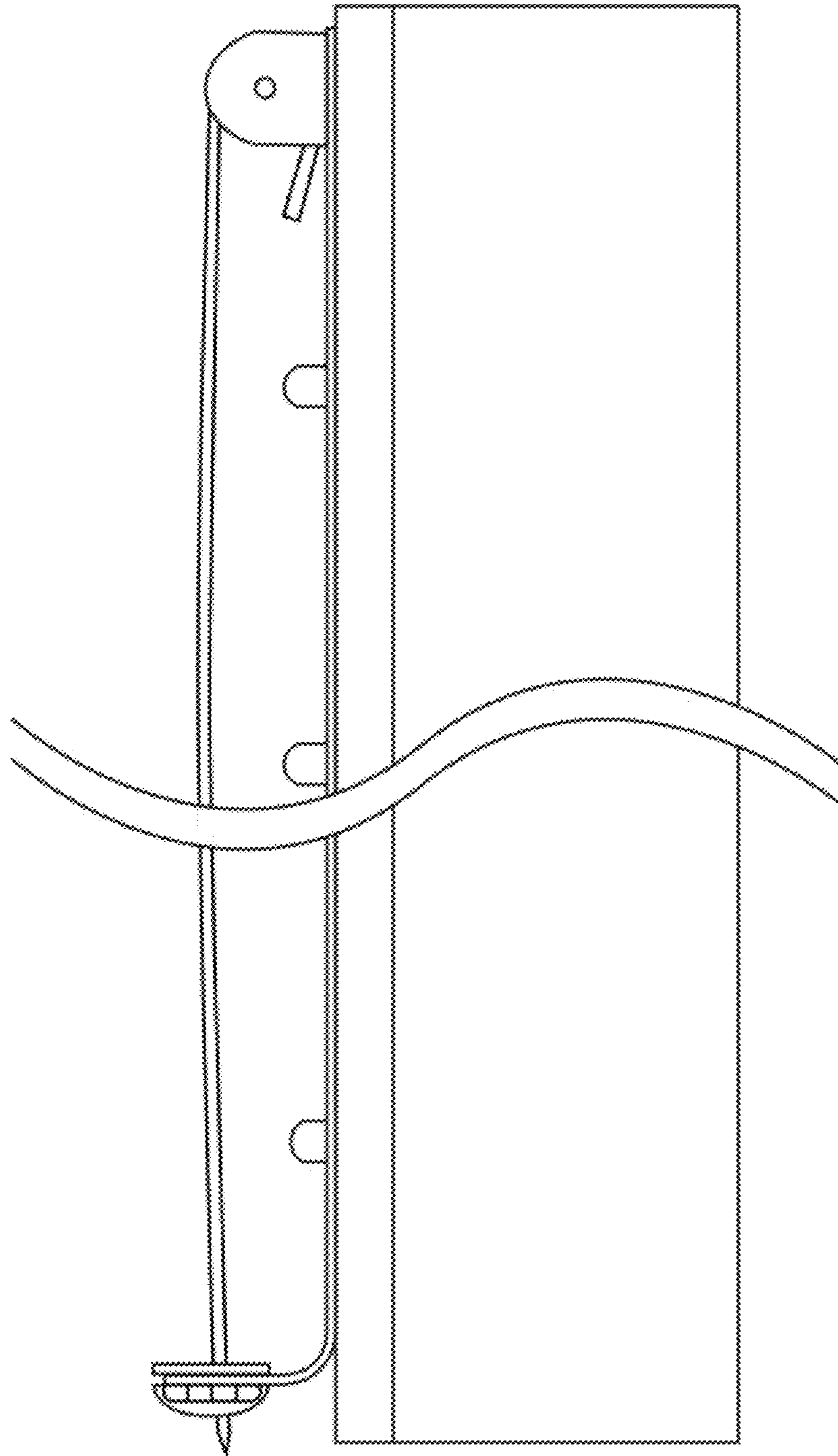


FIG. 4

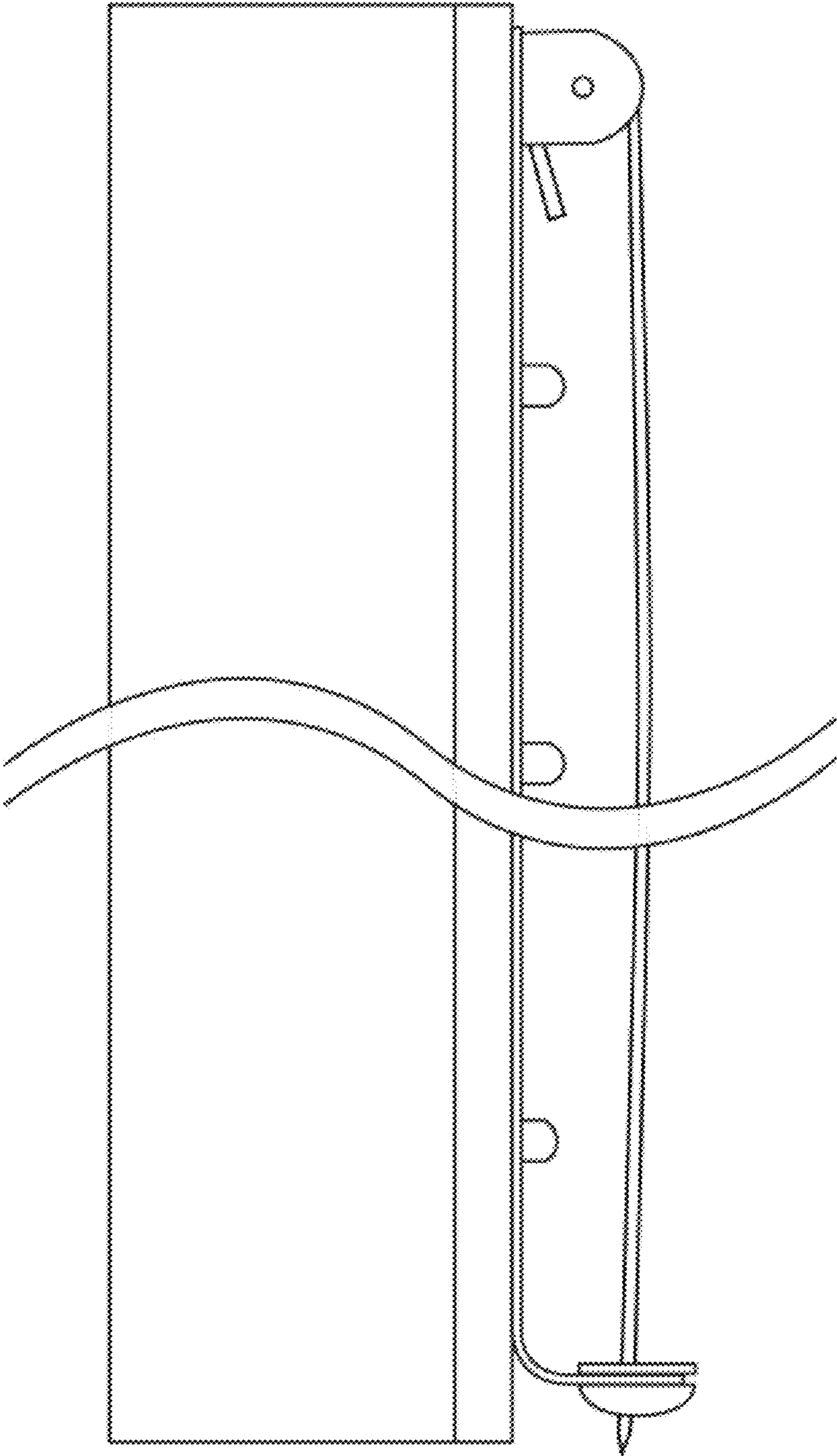
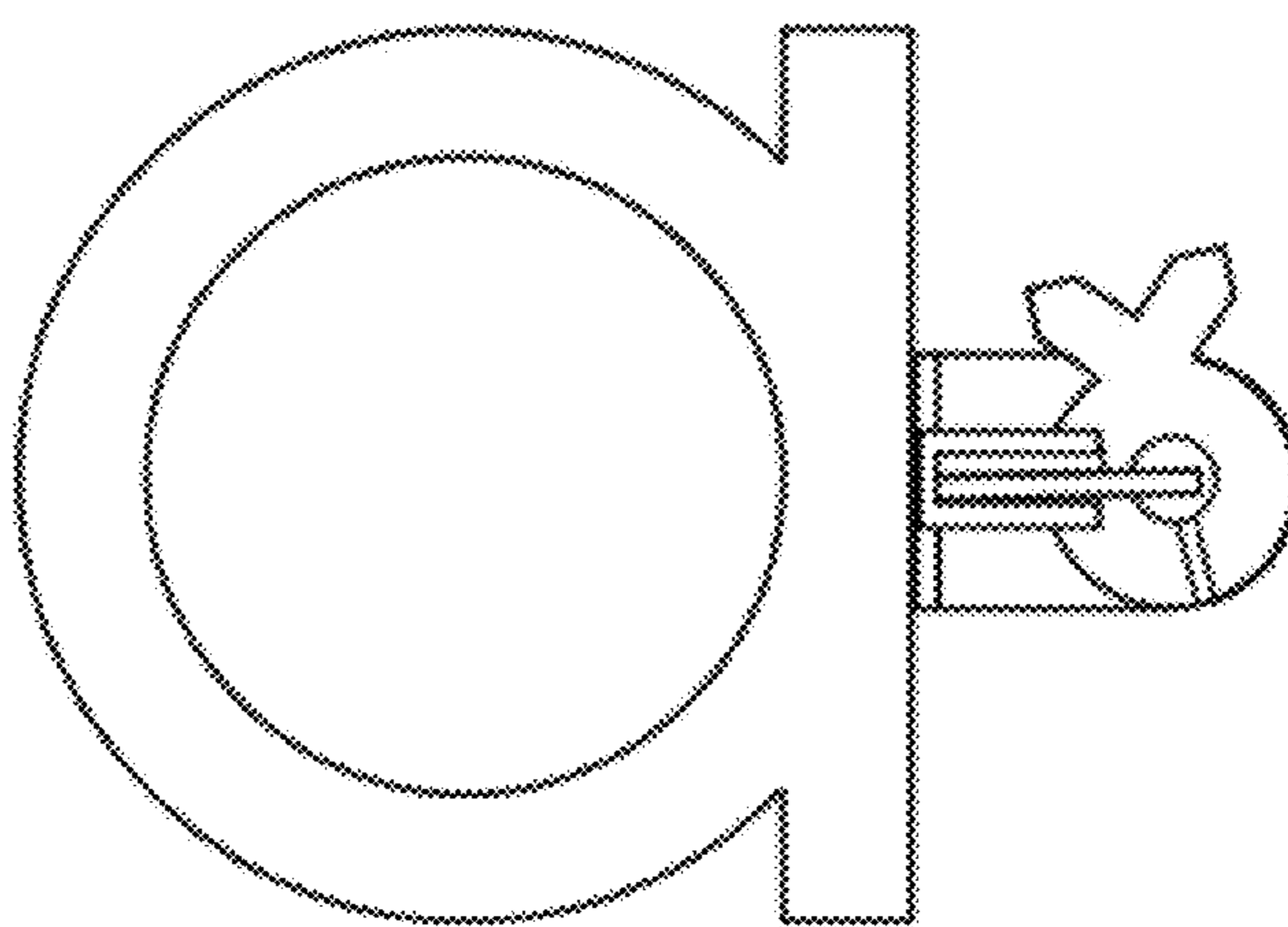


FIG. 5



**FIG. 6**



**FIG. 7**

